



US00D489372S

(12) **United States Design Patent**
Ono

(10) **Patent No.:** **US D489,372 S**

(45) **Date of Patent:** **** May 4, 2004**

(54) **LIQUID CRYSTAL DISPLAY**

(75) **Inventor:** **Hiroshi Ono, Milan (IT)**

(73) **Assignee:** **Hannspre, Inc. (TW)**

(**) **Term:** **14 Years**

(21) **Appl. No.:** **29/173,952**

(22) **Filed:** **Jan. 9, 2003**

(51) **LOC (7) Cl.** **14-02**

(52) **U.S. Cl.** **D14/375**

(58) **Field of Search** D14/371-375,
D14/125-129; D21/329, 515; 248/917-924;
341/12; 345/104, 156, 168, 173; 348/180,
184, 325, 739; 349/1, 2, 11, 62

(56) **References Cited**

U.S. PATENT DOCUMENTS

D381,323 S * 7/1997 Hartman D14/374
D433,409 S * 11/2000 Chen D14/336

D434,763 S * 12/2000 Jobs et al. D14/375
D453,509 S * 2/2002 Kazamaki D14/336
D462,074 S * 8/2002 Kim D14/375

* cited by examiner

Primary Examiner—Freda Nunn

(74) *Attorney, Agent, or Firm*—Merchant & Gould

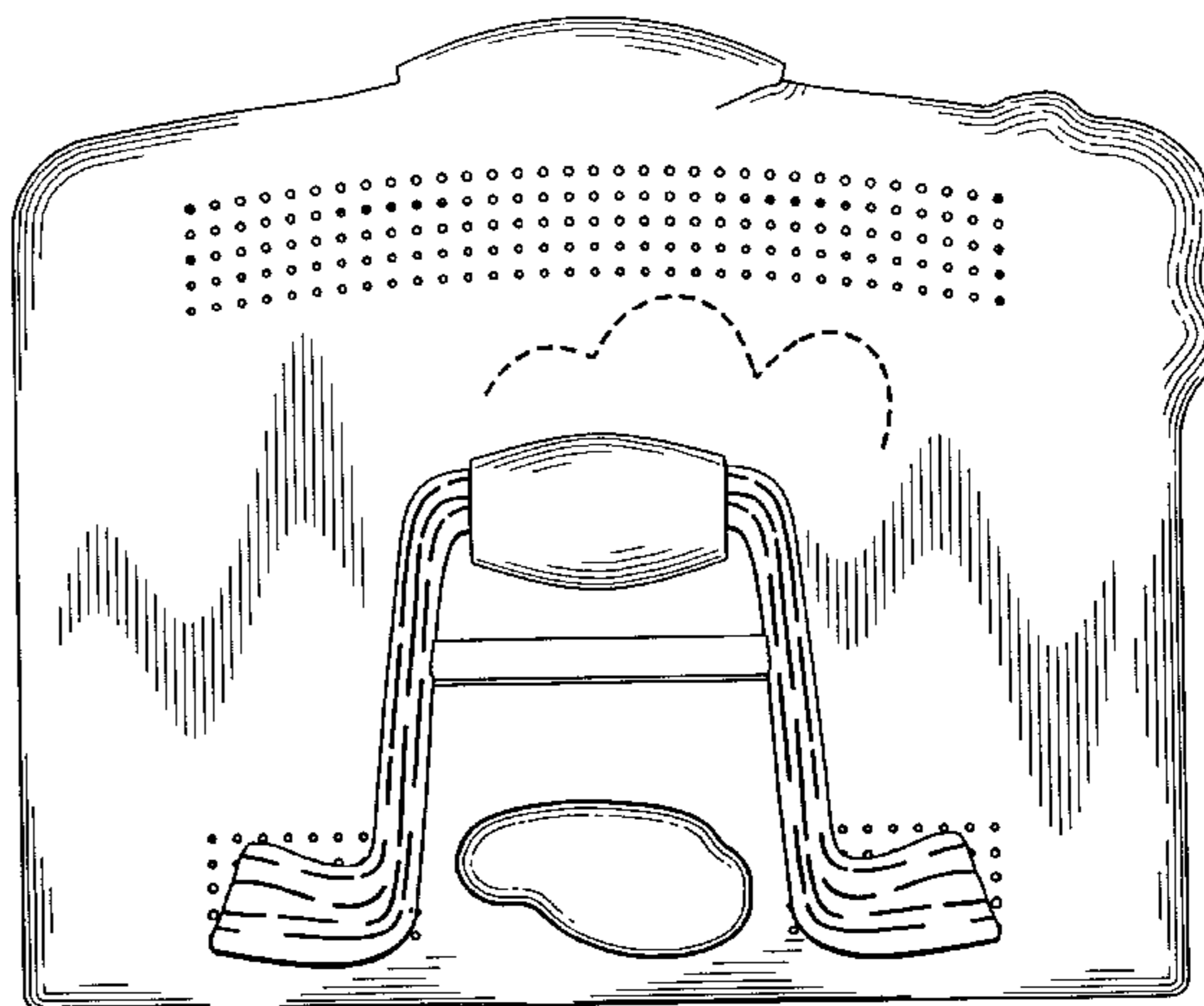
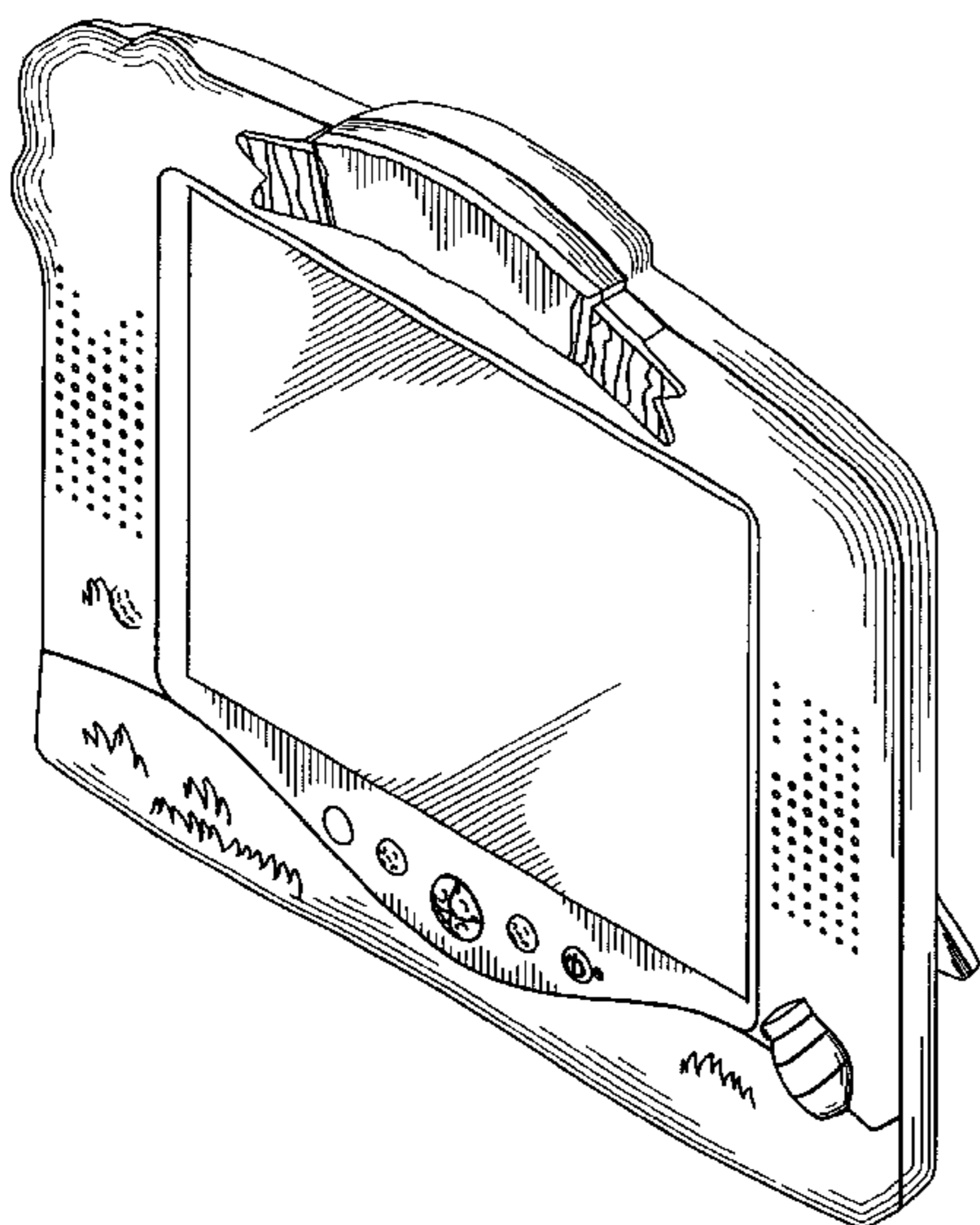
(57) **CLAIM**

The ornamental design for a liquid crystal display, as shown and described.

DESCRIPTION

FIG. 1 is a front perspective view thereof;
FIG. 2 is a right side elevational view thereof;
FIG. 3 is a top plane view thereof;
FIG. 4 is a front elevational view thereof;
FIG. 5 is a bottom plane view thereof;
FIG. 6 is a left side elevational view thereof; and,
FIG. 7 is a rear elevational view thereof.

1 Claim, 7 Drawing Sheets



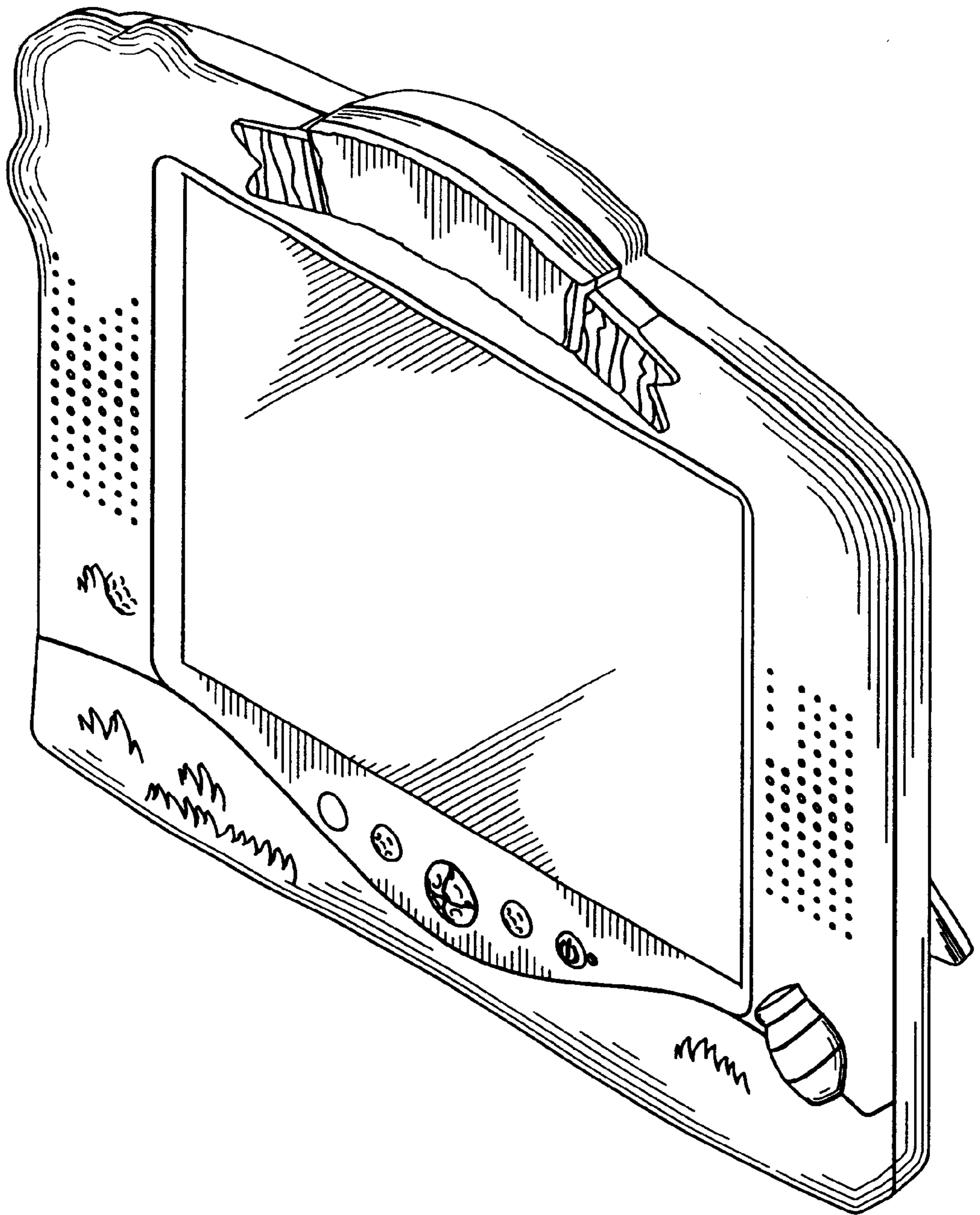


Fig. 1

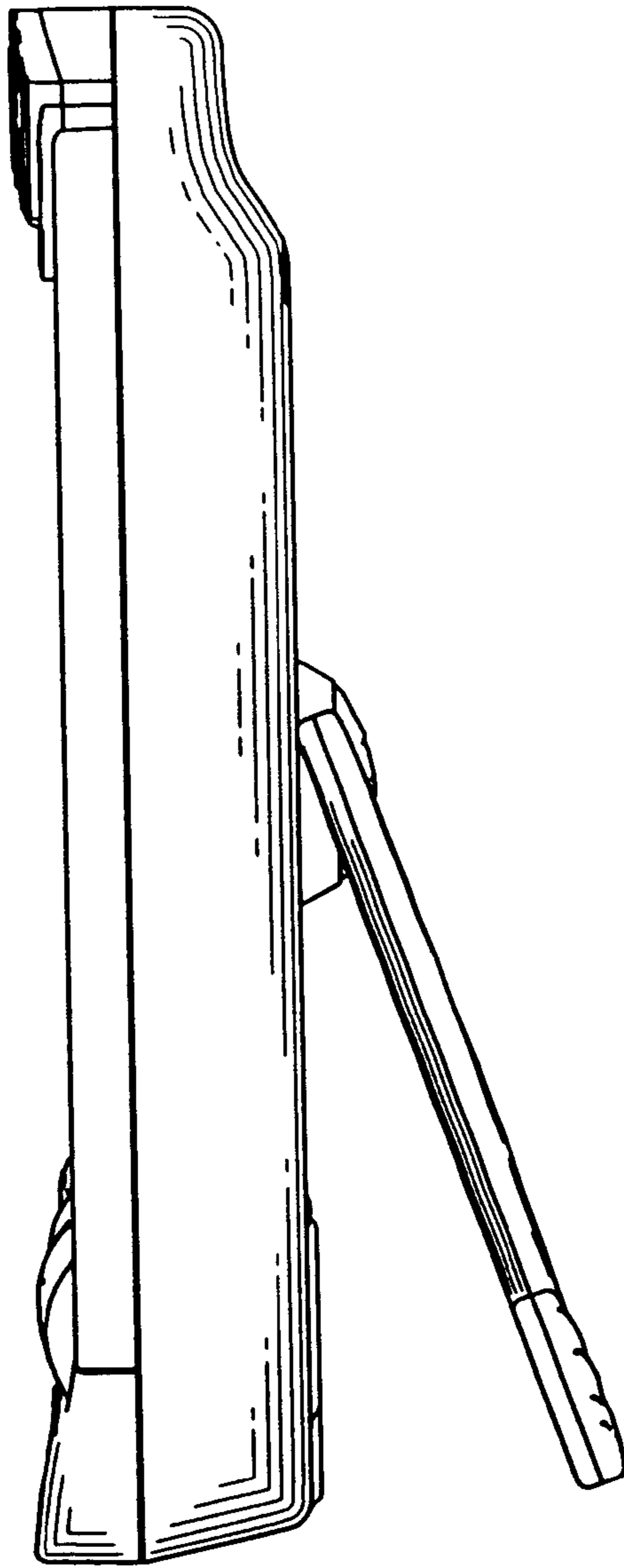


Fig. 2

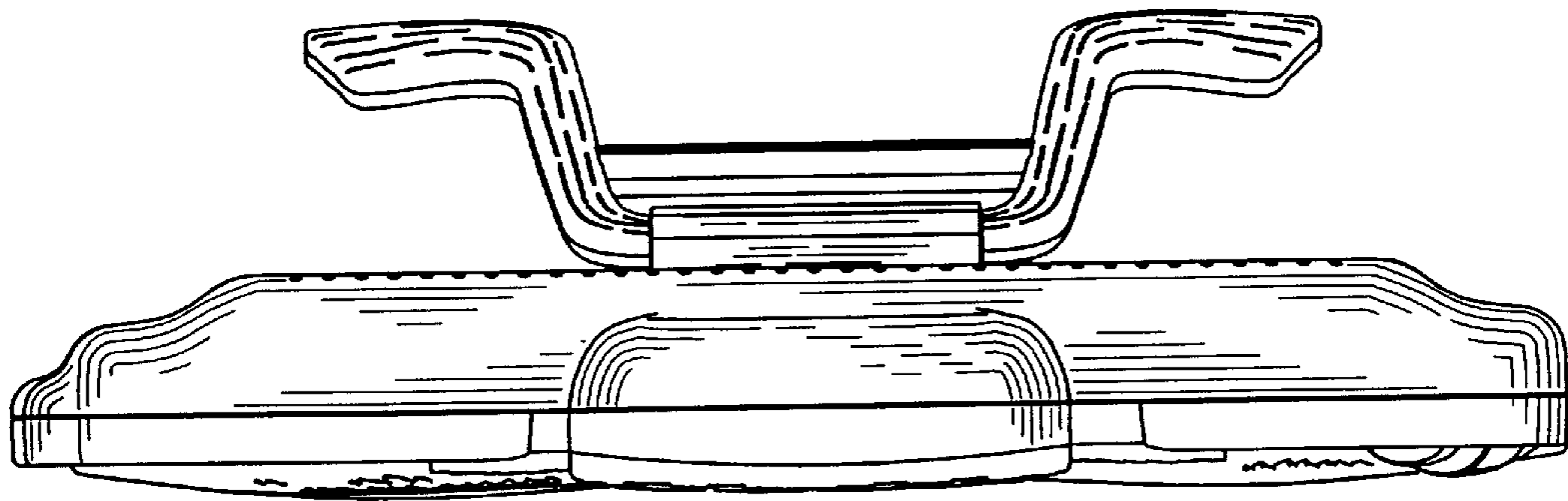


Fig. 3

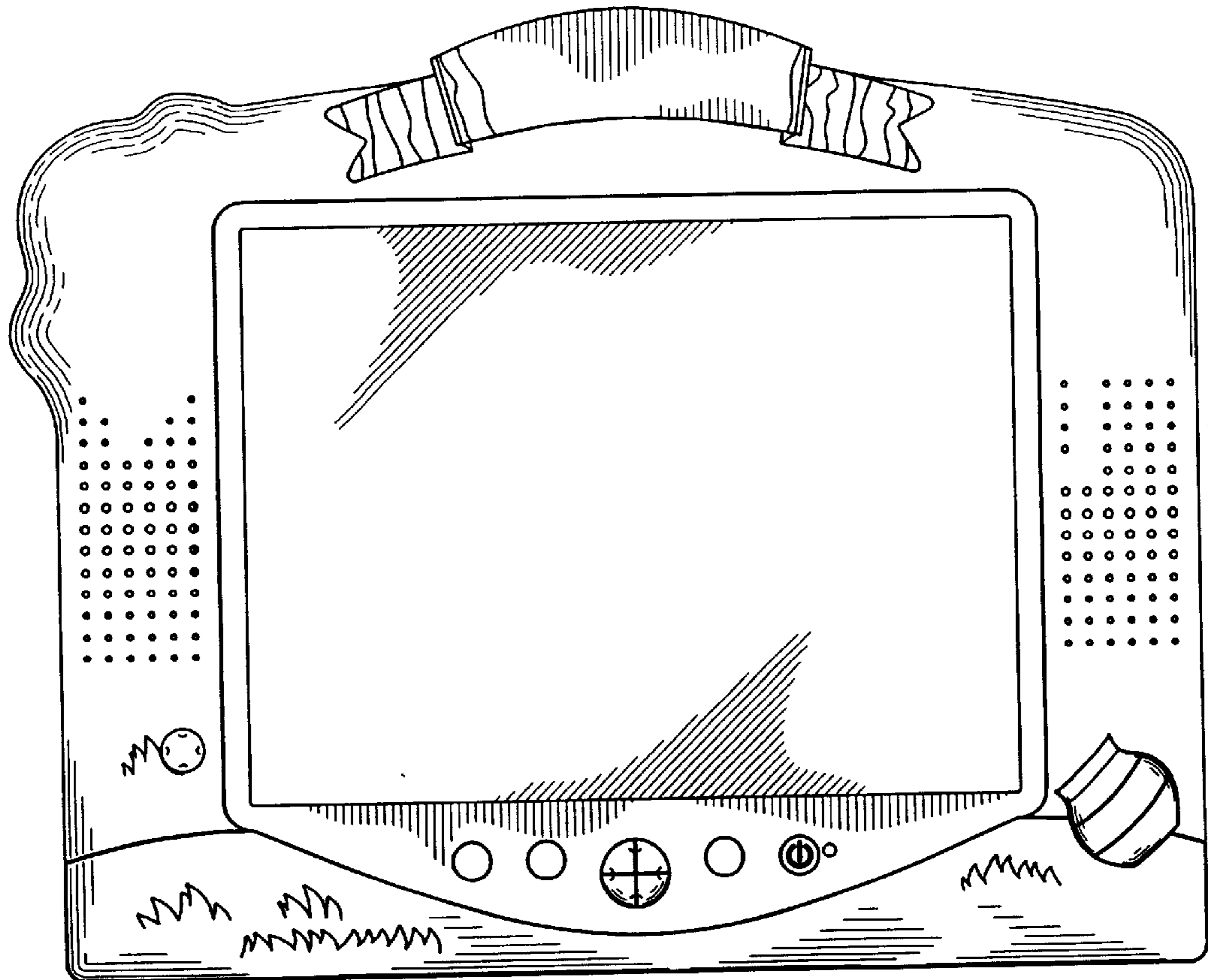


Fig. 4

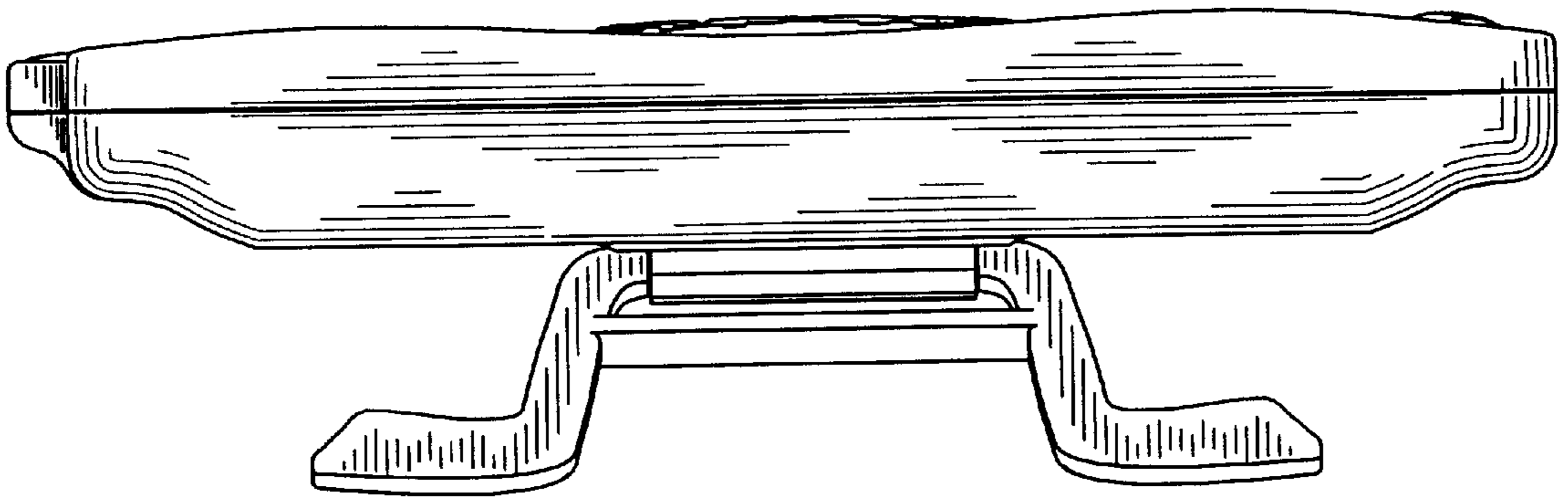


Fig. 5

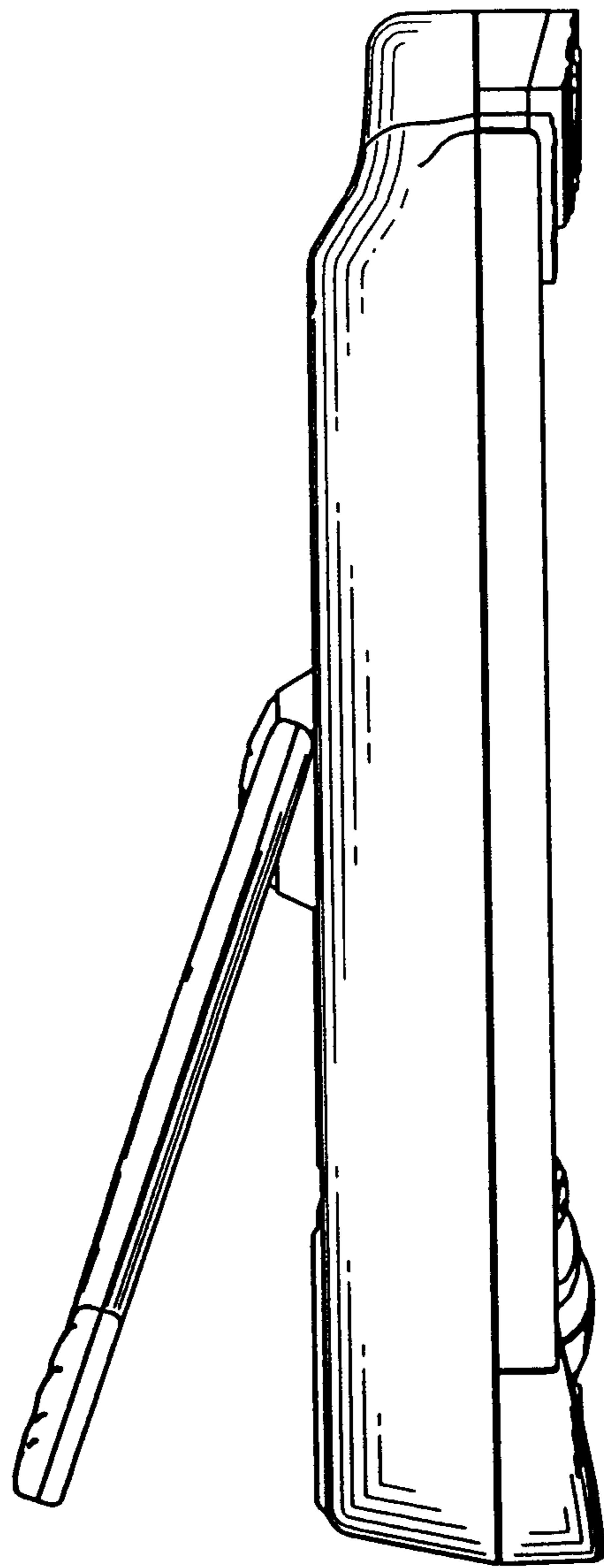


Fig. 6

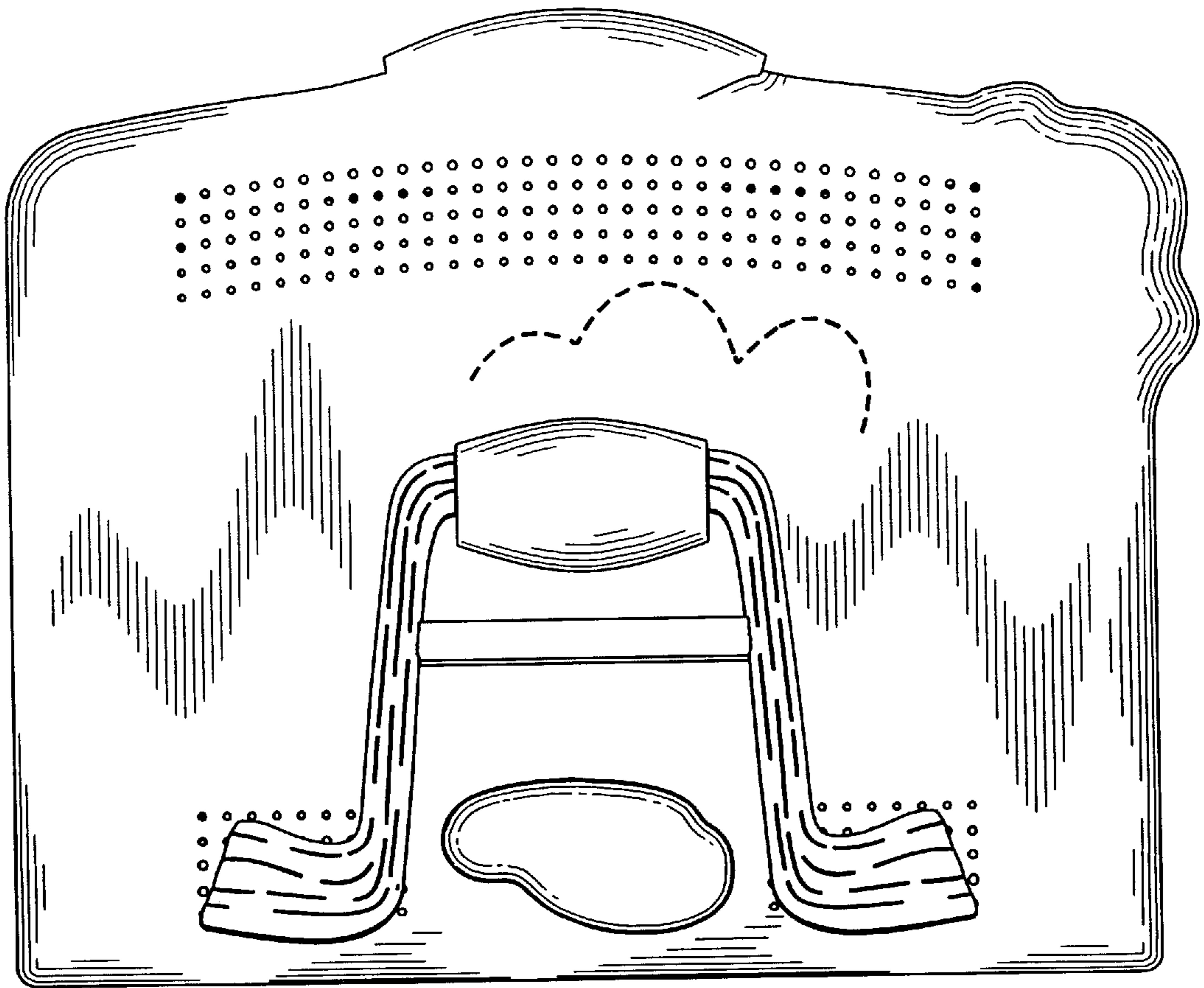


Fig. 7