



US00D489370S

(12) **United States Design Patent**  
**Jobs et al.**

(10) **Patent No.:** **US D489,370 S**

(45) **Date of Patent:** **\*\* May 4, 2004**

(54) **DISPLAY DEVICE WITH A MOVEABLE ASSEMBLY**

(75) Inventors: **Steven P. Jobs**, Palo Alto, CA (US); **Bartley K. Andre**, Menlo Park, CA (US); **Michael D. Hillman**, Campbell, CA (US); **Frank Tsai**, San Jose, CA (US); **Michael D. McBroom**, Leonard, TX (US); **Daniel L. McBroom**, Leonard, TX (US); **Brian T. Sudderth**, Leonard, TX (US); **Arthur S. Brigham**, Sunnyvale, CA (US); **Joel F. Jensen**, Redwood City, CA (US); **Robert B. Brownell, Jr.**, Decatur, GA (US); **Sung Kim**, Palo Alto, CA (US); **Anwyl M. McDonald**, Lafayette, CA (US); **Russell C. Mead, Jr.**, Mountain View, CA (US); **Arturo Meuniot**, San Francisco, CA (US); **Jesus Beltran**, Mountain View, CA (US); **Jonathan Ive**, San Francisco, CA (US); **Christopher J. Stringer**, Pacifica, CA (US)

(73) Assignee: **Apple Computer, Inc.**, Cupertino, CA (US)

(\*\*) Term: **14 Years**

(21) Appl. No.: **29/153,044**

(22) Filed: **Nov. 8, 2001**

(51) **LOC (7) Cl.** ..... **14-02**

(52) **U.S. Cl.** ..... **D14/371; D14/337**

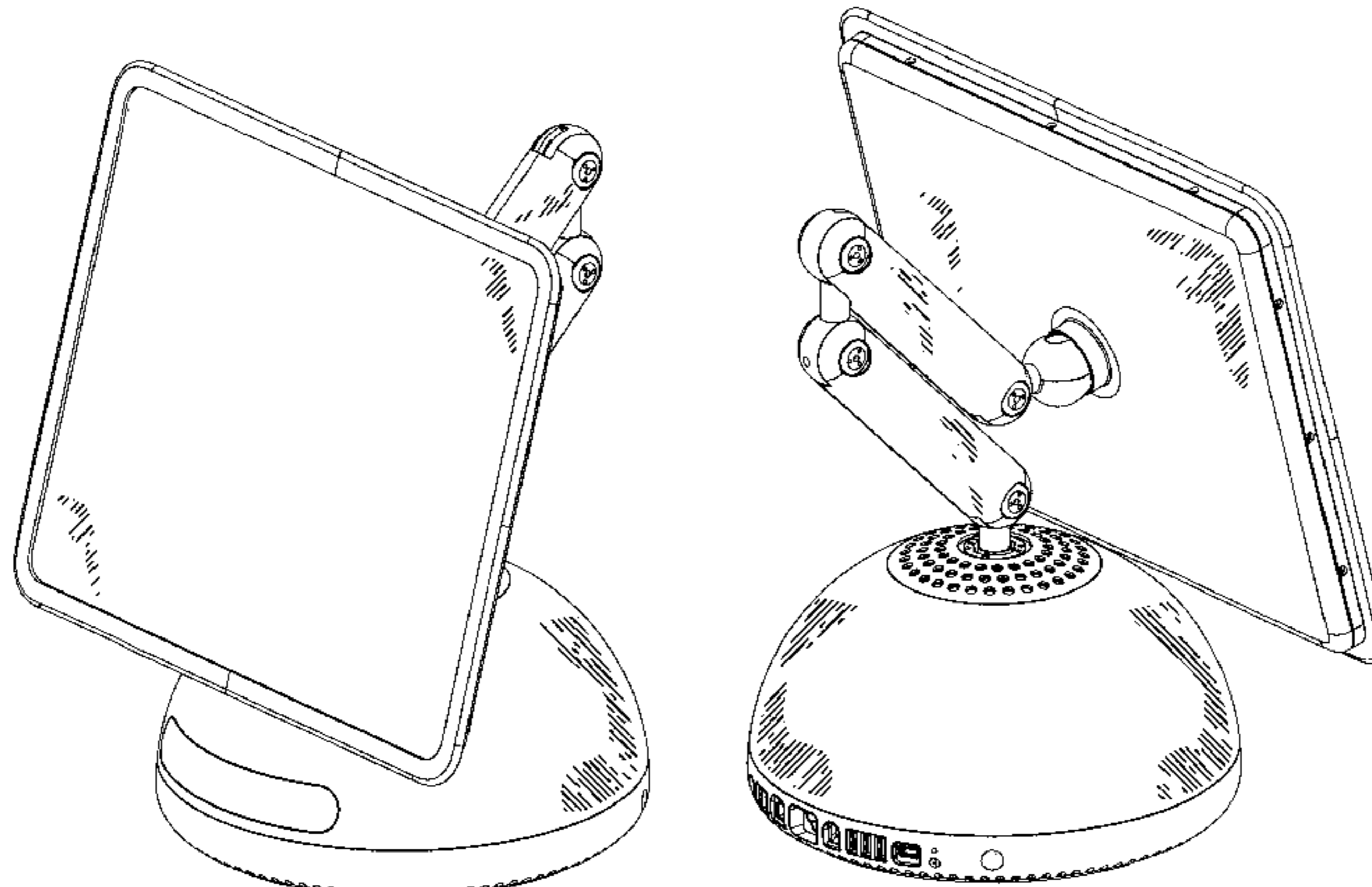
(58) **Field of Search** ..... **D14/371, 374, D14/375, 336, 337, 125-129; D18/4.5; 248/124.1, 183.3, 184.1, 917-924, 586; 345/104, 156, 168, 173, 87; 348/180, 184, 325, 739, 838; 349/1, 2, 11, 62; 708/272**

(56) **References Cited**

**U.S. PATENT DOCUMENTS**

3,983,386 A 9/1976 Schallenkammer

4,080,530 A	3/1978	Krogsrud	
4,447,031 A	5/1984	Souder, Jr. et al.	
4,453,204 A	6/1984	Warshawsky	
4,459,650 A	7/1984	Pike	
4,484,255 A	11/1984	Warshawsky	
4,507,043 A	3/1985	Flatau	
4,545,555 A	10/1985	Koch	
4,554,620 A	11/1985	Warshawsky	
4,589,621 A *	5/1986	Hunt et al. ....	248/586
4,661,895 A	4/1987	Hull	
4,729,533 A *	3/1988	Hillary et al. ....	248/184.1
4,756,204 A	7/1988	Wittwer et al.	
4,834,329 A *	5/1989	Delapp .....	248/183.3
4,846,434 A	7/1989	Krogsrud	
4,964,062 A	10/1990	Ubhayakar et al.	
4,989,813 A *	2/1991	Kim et al. ....	248/184.1
5,025,359 A	6/1991	Saluja et al.	
5,141,325 A	8/1992	Huang	
5,142,932 A	9/1992	Moya et al.	
5,168,423 A	12/1992	Ohgami et al.	
D337,104 S *	7/1993	Orchard .....	D14/375
5,413,454 A	5/1995	Movsesian	
5,538,207 A	7/1996	O'Connell et al.	
5,668,570 A	9/1997	Ditzik	
5,815,735 A	9/1998	Baker	
5,887,837 A	3/1999	Johns et al.	
5,918,841 A	7/1999	Sweere et al.	
5,923,528 A	7/1999	Lee	
D414,471 S	9/1999	Poole et al.	
5,992,809 A	11/1999	Sweere et al.	
6,015,120 A	1/2000	Sweere et al.	
6,019,332 A	2/2000	Sweere et al.	
6,061,104 A	5/2000	Evanicky et al.	
D428,411 S	7/2000	Poole et al.	
6,105,919 A	8/2000	Min	
6,179,263 B1	1/2001	Rosen et al.	
6,199,810 B1	3/2001	Wu et al.	
6,216,989 B1	4/2001	Shioya et al.	
6,220,741 B1	4/2001	Kawachi et al.	
6,233,138 B1	5/2001	Osgood	
6,256,017 B1	7/2001	Bullister	
6,268,998 B1	7/2001	Cho	
6,304,431 B1	10/2001	Kim	
6,317,316 B1	11/2001	Bentley et al.	
D453,509 S	2/2002	Kazamaki	





## OTHER PUBLICATIONS

Scott Hudson, *PC OEMs Get Creative: The iPaq, WebPC, Profile 2, eVectra, and NetVista*, Cahners In-Stat Group, 3 pages, Apr. 4, 2000.

Dan Littman, *Compaq iPaq Home Internet Appliance IA-1*, CNET Review, 2 pages, Sep. 5, 2001.

Compaq, *iPAQ Home Internet Appliance*, Screen dumps, 3 pages, undated.

Dell Computer Corporation, *Webpc photos featured on enclosed CD*, 2 pages, undated.

ComputingReview.com, *Gateway Profile 2 500cx*, 1 page, undated.

Davis English, *Gateway Profile 3cx Pentium III 933 MHz*, ZDNet, 2 pages, Mar. 16, 2001.

Gateway Inc., *Gateway Profile 3 Product Tour*, Screen dumps, 4 pages, undated.

Bill O'Brien, *IBM NetVista X41*, CNET Review, 2 pages, Nov. 7, 2001.

Bill O'Brien, *IBM Netvista X40i Pentium III 800 MHz*, ZDNet Review, 2 pages, Mar. 13, 2001.

IBM, *Thin Client Zero Footprint Option*, 1 page, undated.

IBM, *IBM NetVista X40*, 3 pages, Oct. 2000 & Sep. 2001.

IBM, *IBM Introduces New NetVista Brand of Personal Computing Devices*, Press Releases, 2 pages, Mar. 13, 2000.

IBM, *IBM Announces New NetVista Computers*, Press Releases, 3 pages, May 8, 2000.

IBM, *IBM NetVista: X Series*, Screen dump, 13 pages, undated.

Asa Somers, *Gateway Profile 2: Trendy and Easy*, Computer Shopper, Feb. 7, 2000.

Gateway Inc., *Gateway Profile 2—Main view, Rear view, Left view, Right View, Bottom View*, Gateway eSupport, 11 pages, undated.

Ergo In Demand, Inc., *Mounting Solutions*, 1 page, undated.

Ergo In Demand, Inc., *The JetMaster LCD Arms*, 1 page, undated.

\* cited by examiner

Primary Examiner—Freda Nunn

(74) Attorney, Agent, or Firm—Blakely, Sokoloff, Taylor & Zafman LLP

## (57) CLAIM

The ornamental design for a display device with a moveable assembly, as shown and described.

## DESCRIPTION

FIG. 1 Shows a front perspective view of a display device with a moveable assembly attached to a flat panel display and to a base, the moveable assembly shown in a first position.

FIG. 2 Shows a back perspective view of a display device with a moveable assembly attached to a flat panel display and to a base, the moveable assembly shown in a first position.

FIG. 3 shows a front view of a second embodiment of a display device with a moveable assembly attached to a flat panel display and to a base, the moveable assembly shown in a first position.

FIG. 4 Shows a side right view of a display device with a moveable assembly attached to a flat panel display and to a base, the moveable assembly shown in a first position.

FIG. 5 Shows a back view of a display device with a moveable assembly attached to a flat panel display and to a base, the moveable assembly shown in a first position.

FIG. 6 Shows a side left view of a display device with a moveable assembly attached to a flat panel display and to a base, the moveable assembly shown in a first position.

FIG. 7 Shows a top view of a display device with a moveable assembly attached to a flat panel display and to a base, the moveable assembly shown in a second position.

FIG. 8 Shows a bottom view of a display device with a moveable assembly attached to a flat panel display and to a base, the moveable assembly shown in a second position.

FIG. 9 Shows a front perspective view of a display device with a moveable assembly attached to a flat panel display and to a base, the moveable assembly shown in a second position.

FIG. 10 Shows a back perspective view of a display device with a moveable assembly attached to a flat panel display and to a base, the moveable assembly shown in a second position.

FIG. 11 shows a front perspective view of a third embodiment of a display device with a moveable assembly attached to a flat panel display and to a base, the moveable assembly shown in a first position.

FIG. 12 Shows a back perspective view of a display device with a moveable assembly attached to a flat panel display and to a base, the moveable assembly shown in a first position.

FIG. 13 shows a front view of a fourth embodiment of a display device with a moveable assembly attached to a flat panel display and to a base the moveable assembly shown in a first position.

FIG. 14 Shows a back view of a display device with a moveable assembly attached to a flat panel display and to a base, the moveable assembly shown in a first position.

FIG. 15 Shows a side left view of a display device with a moveable assembly attached to a flat panel display and to a base, the moveable assembly shown in a first position.

FIG. 16 Shows a side right view of a display device with a moveable assembly attached to a flat panel display and to a base, the moveable assembly shown in a first position.

FIG. 17 Shows a bottom view of a display device with a moveable assembly attached to a flat panel display and to a base, the moveable assembly shown in a first position; and,

FIG. 18 Shows a top view of a display device with a moveable assembly attached to a flat panel display and to a base, the moveable assembly shown in a first position.

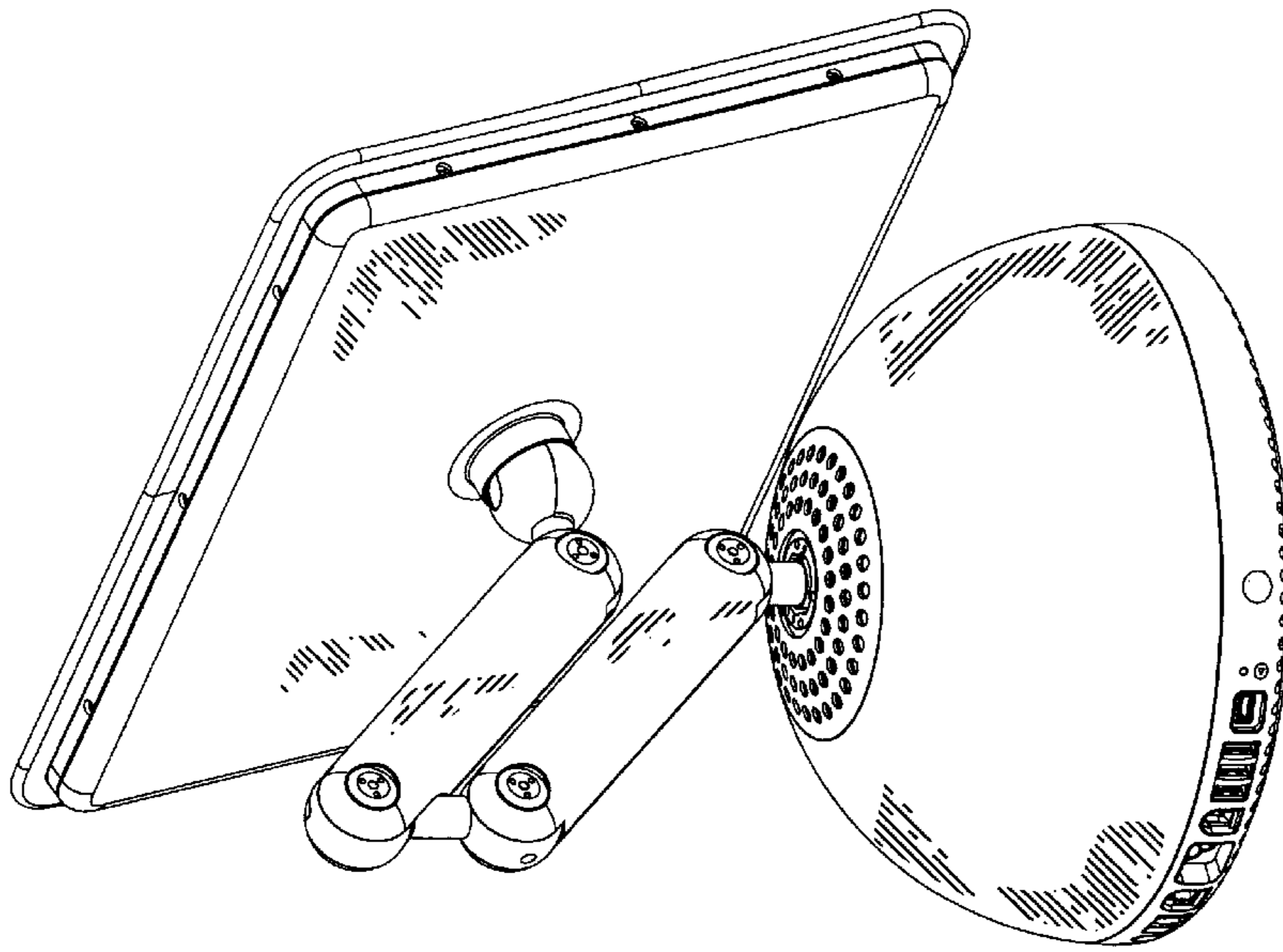


FIG. 2

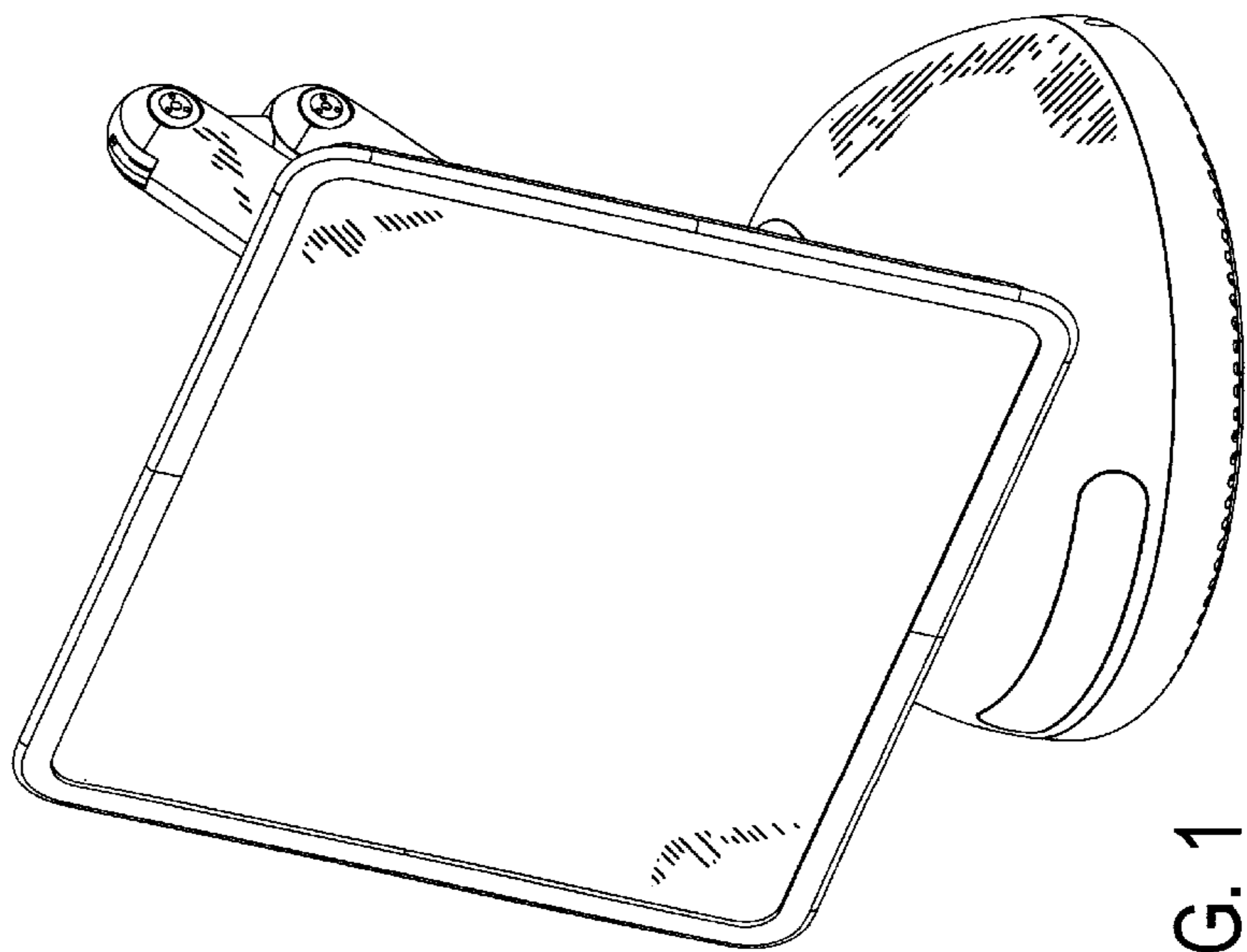


FIG. 1

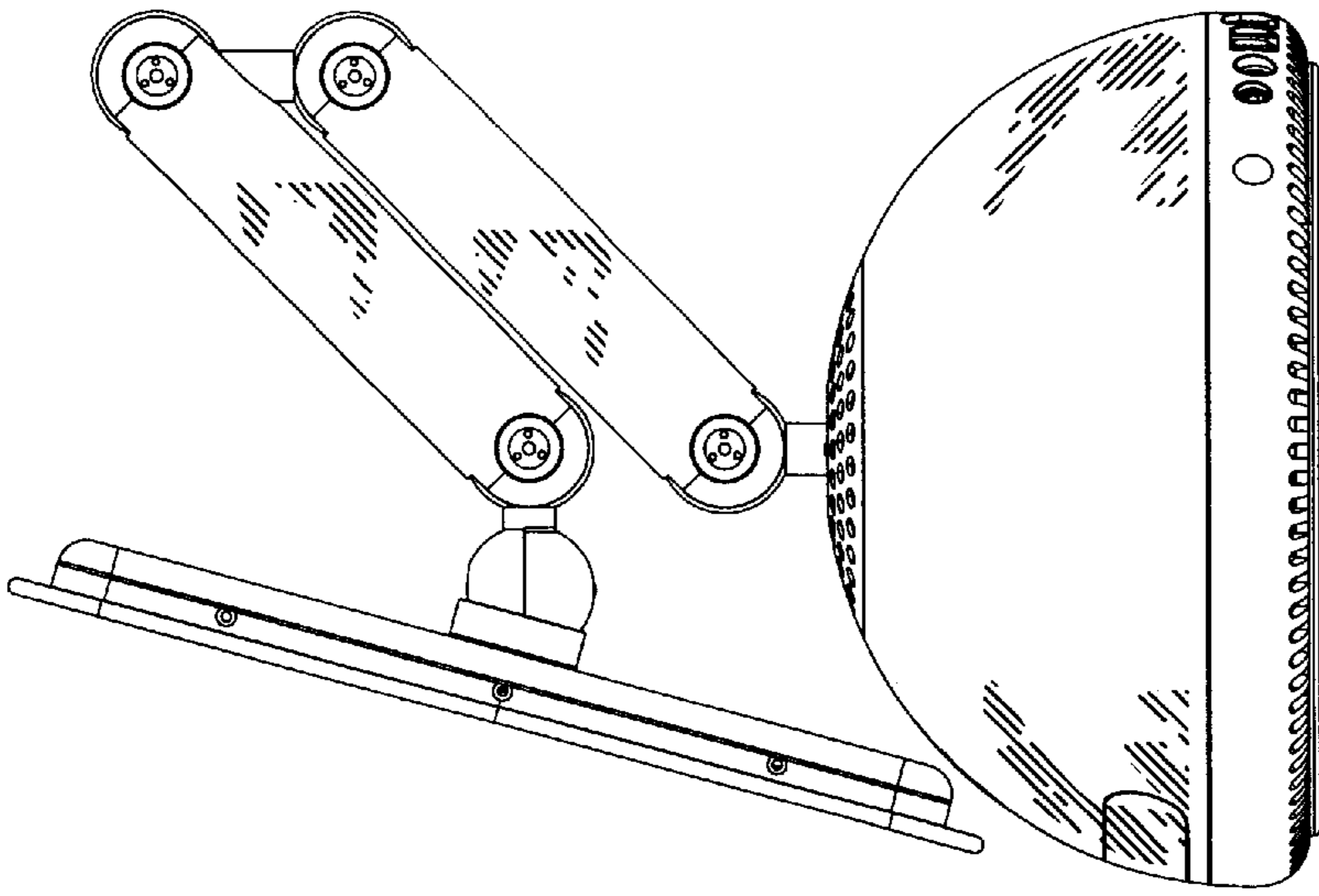


FIG. 4

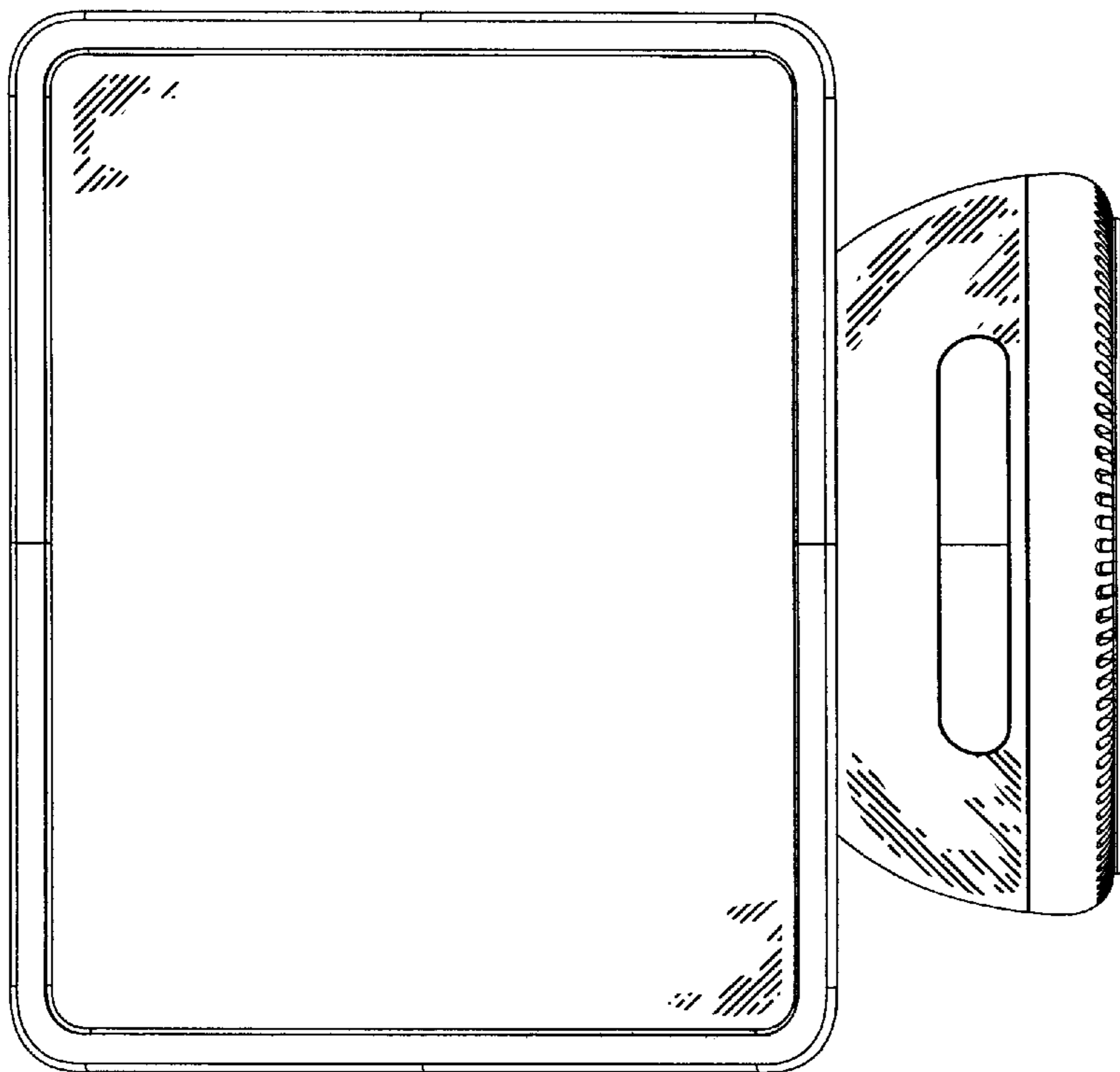


FIG. 3



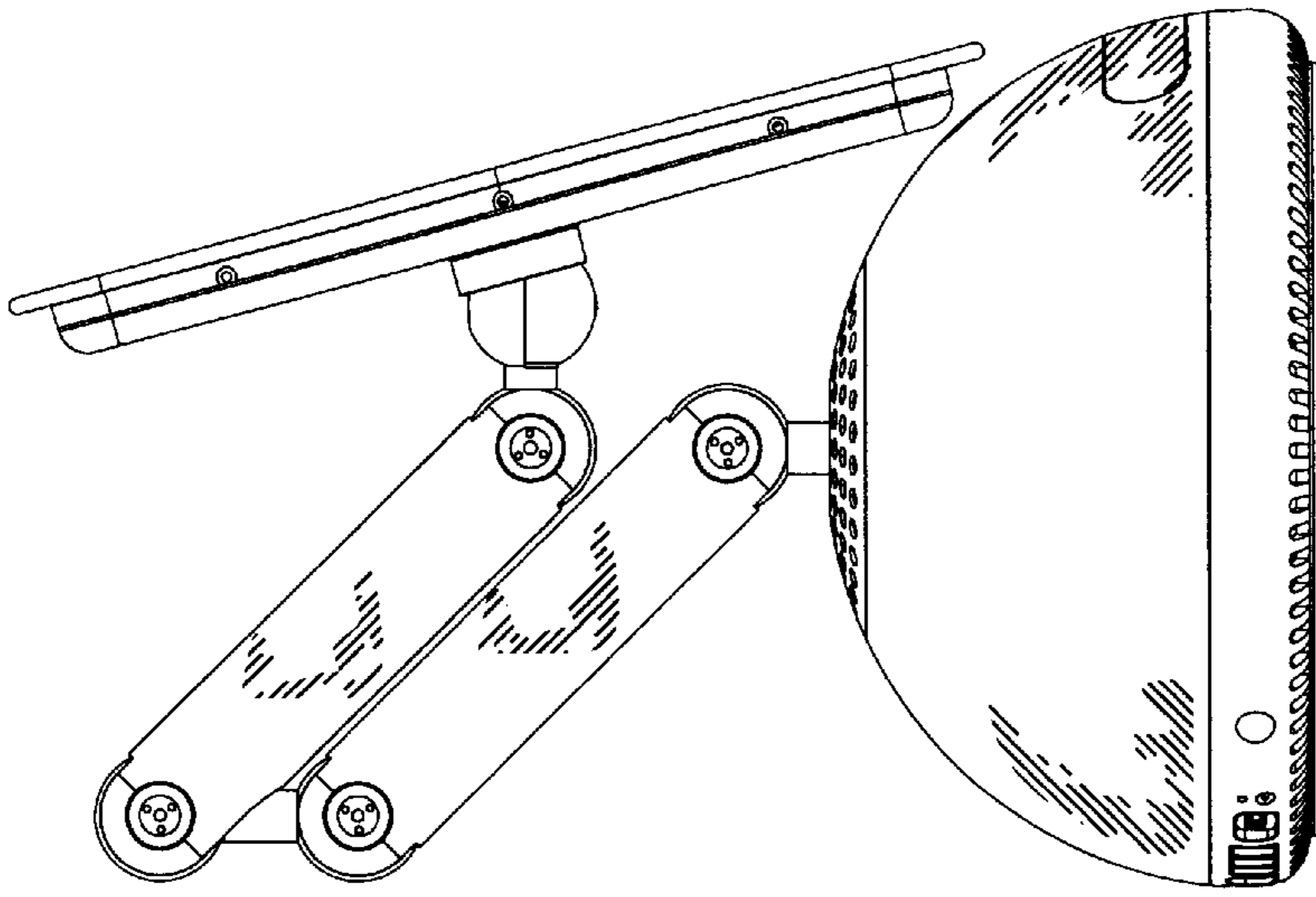


FIG. 6

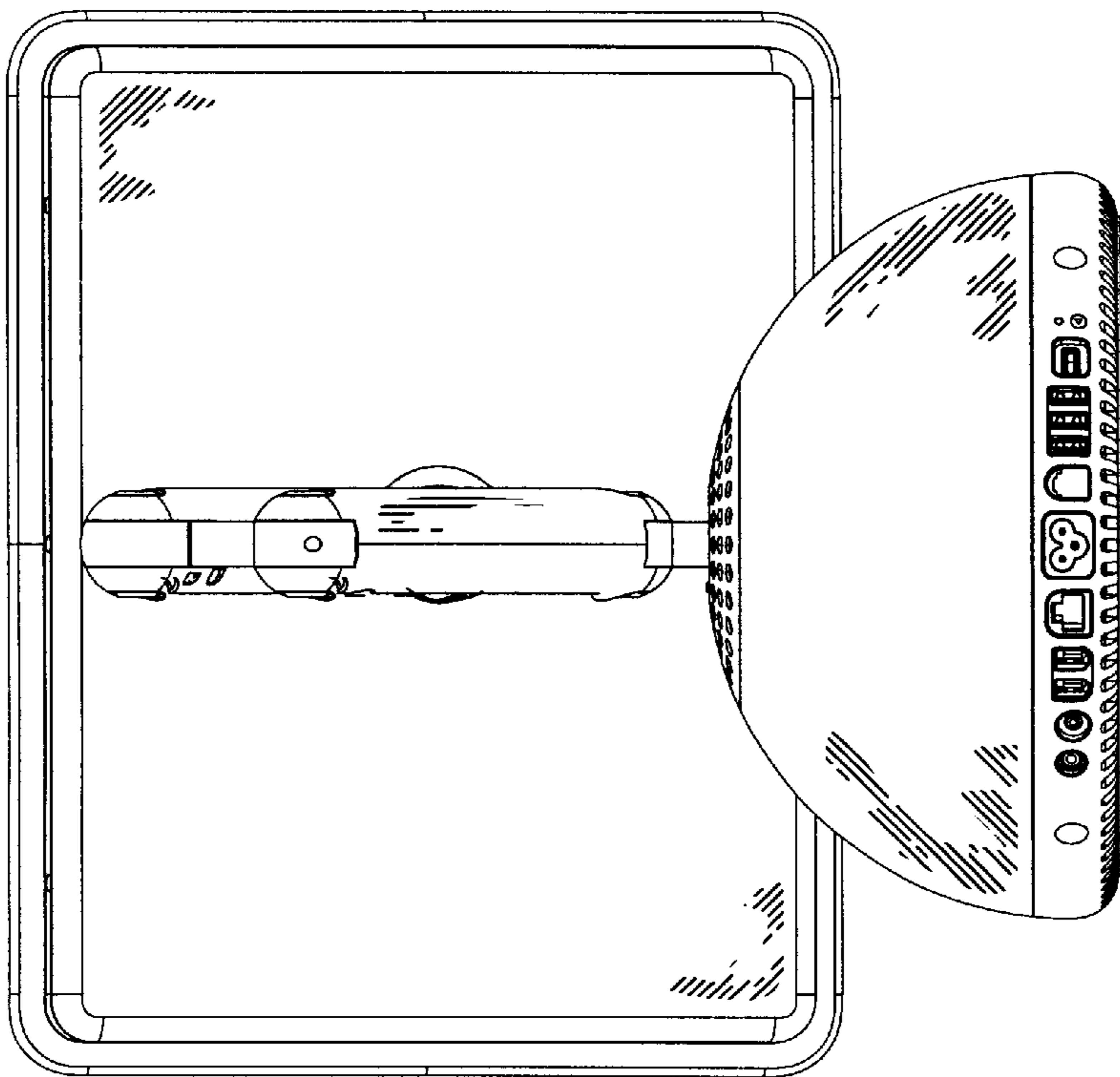


FIG. 5

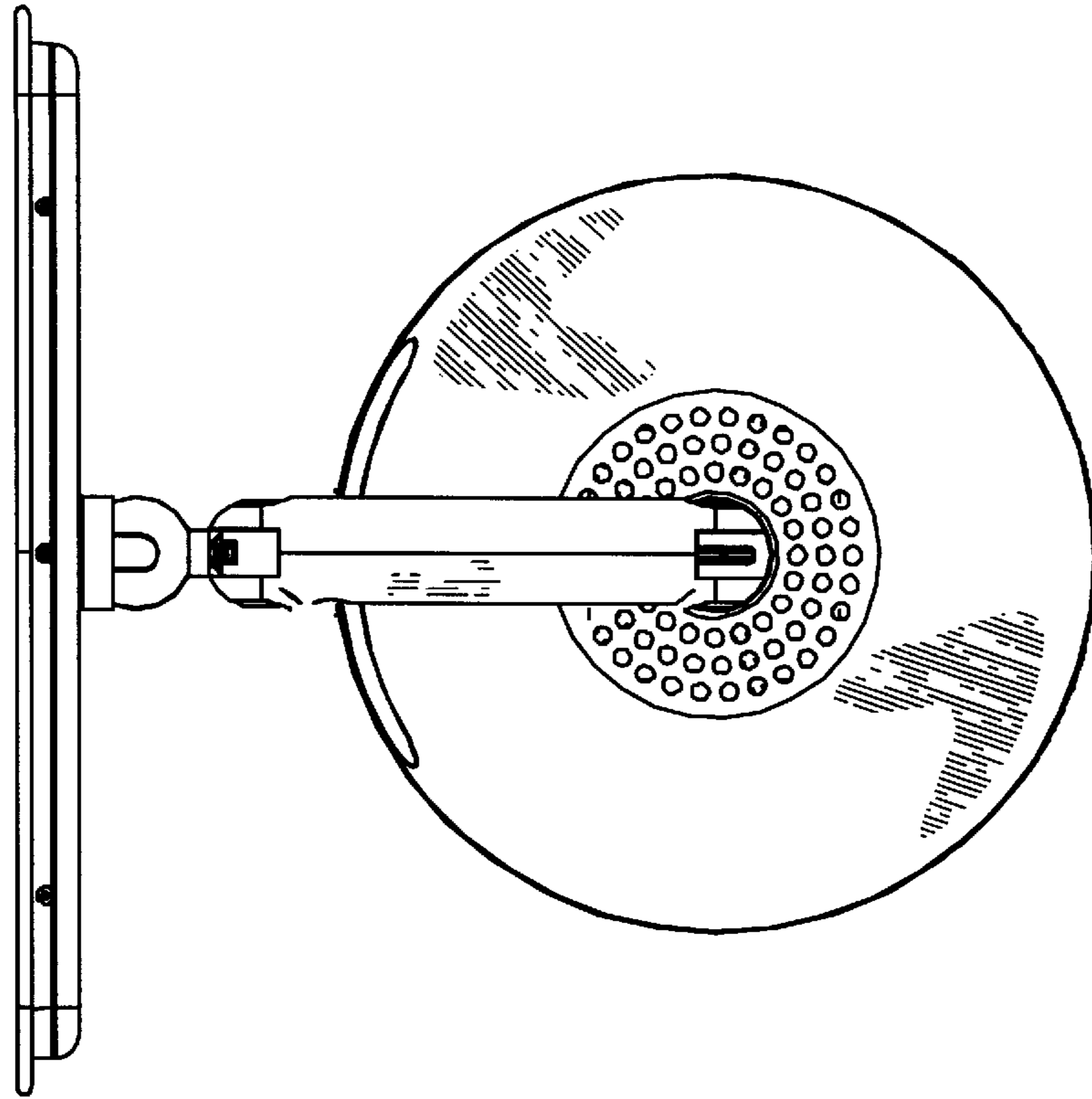


FIG. 7

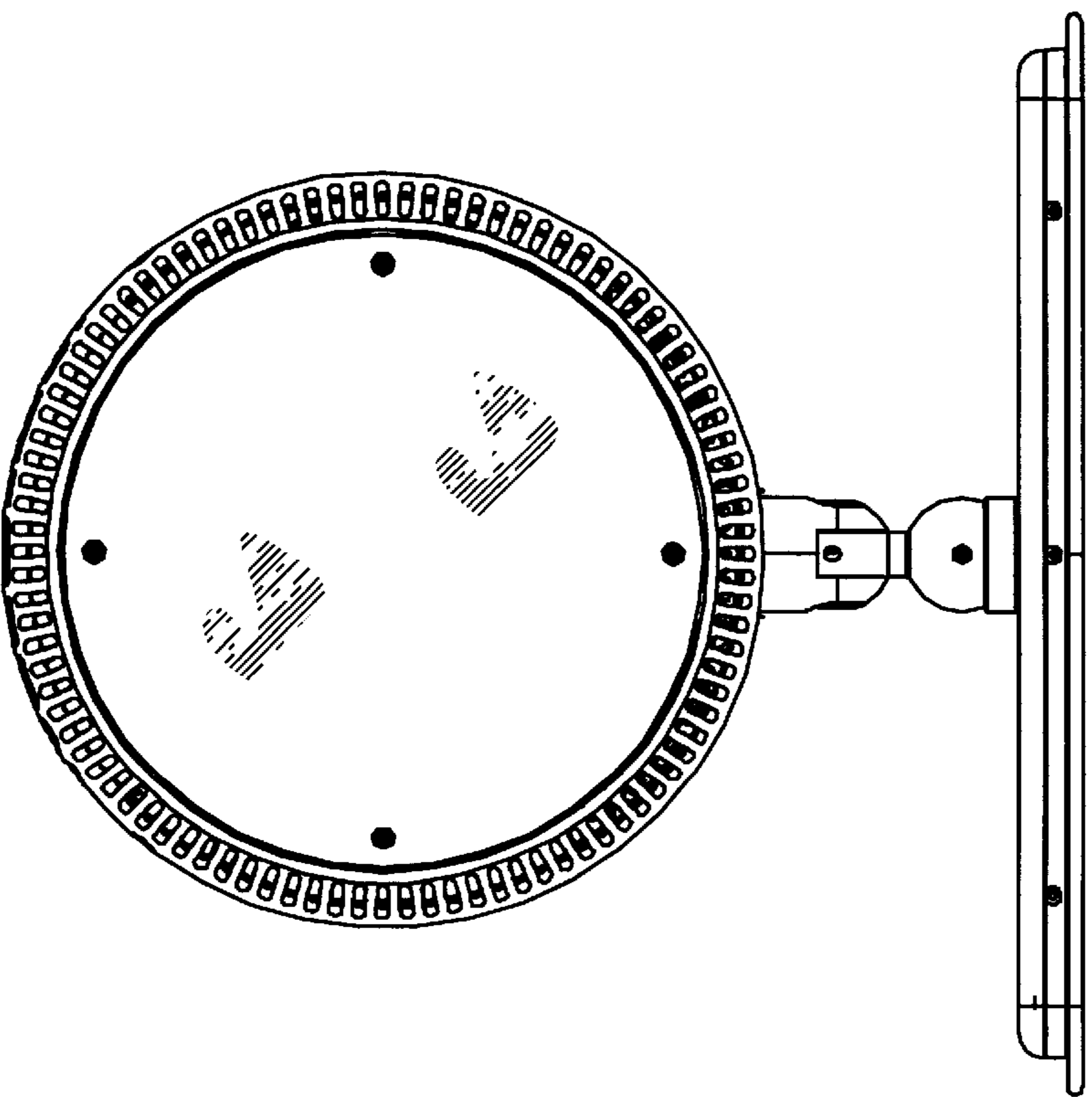


FIG. 8

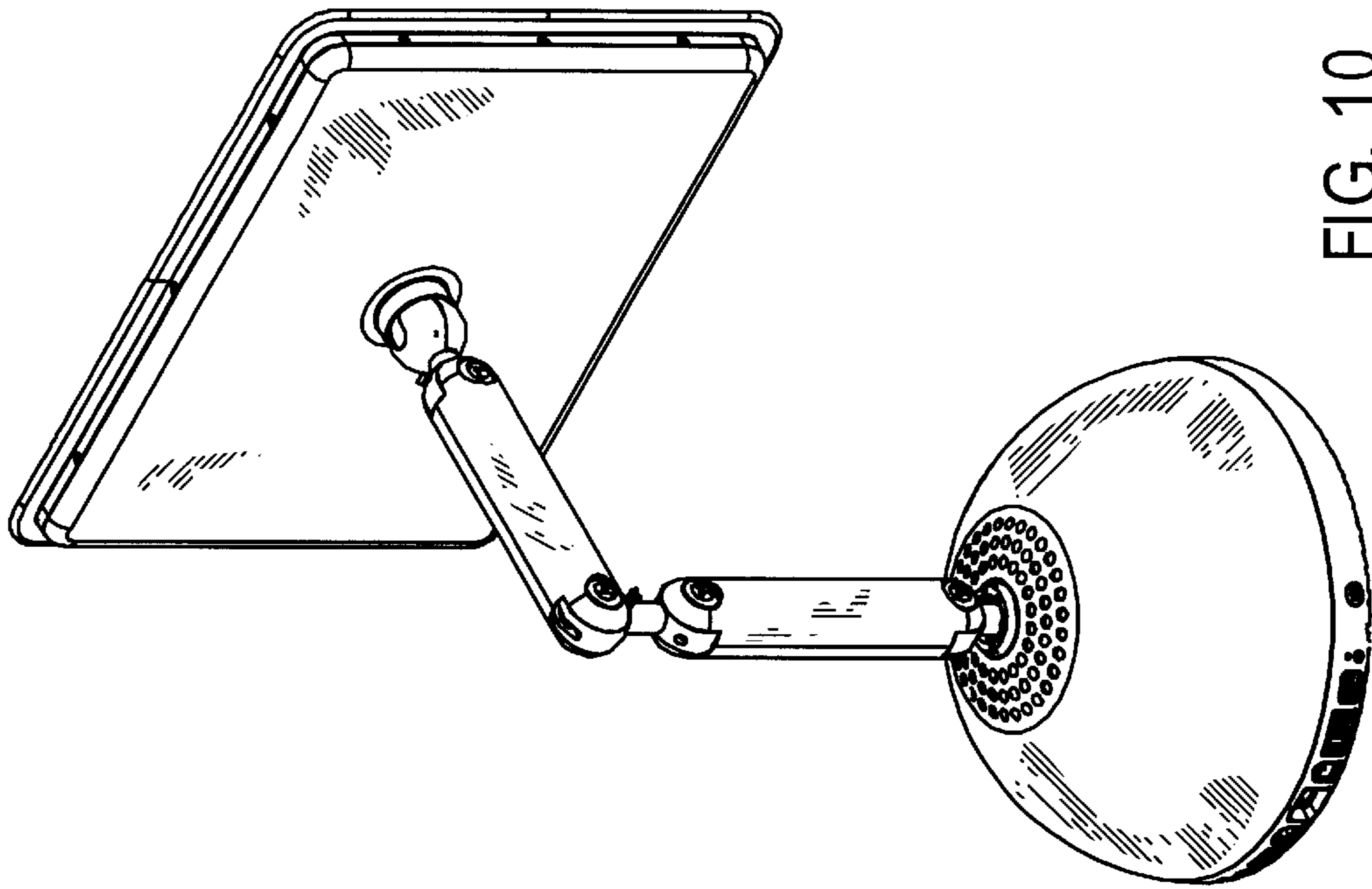


FIG. 10

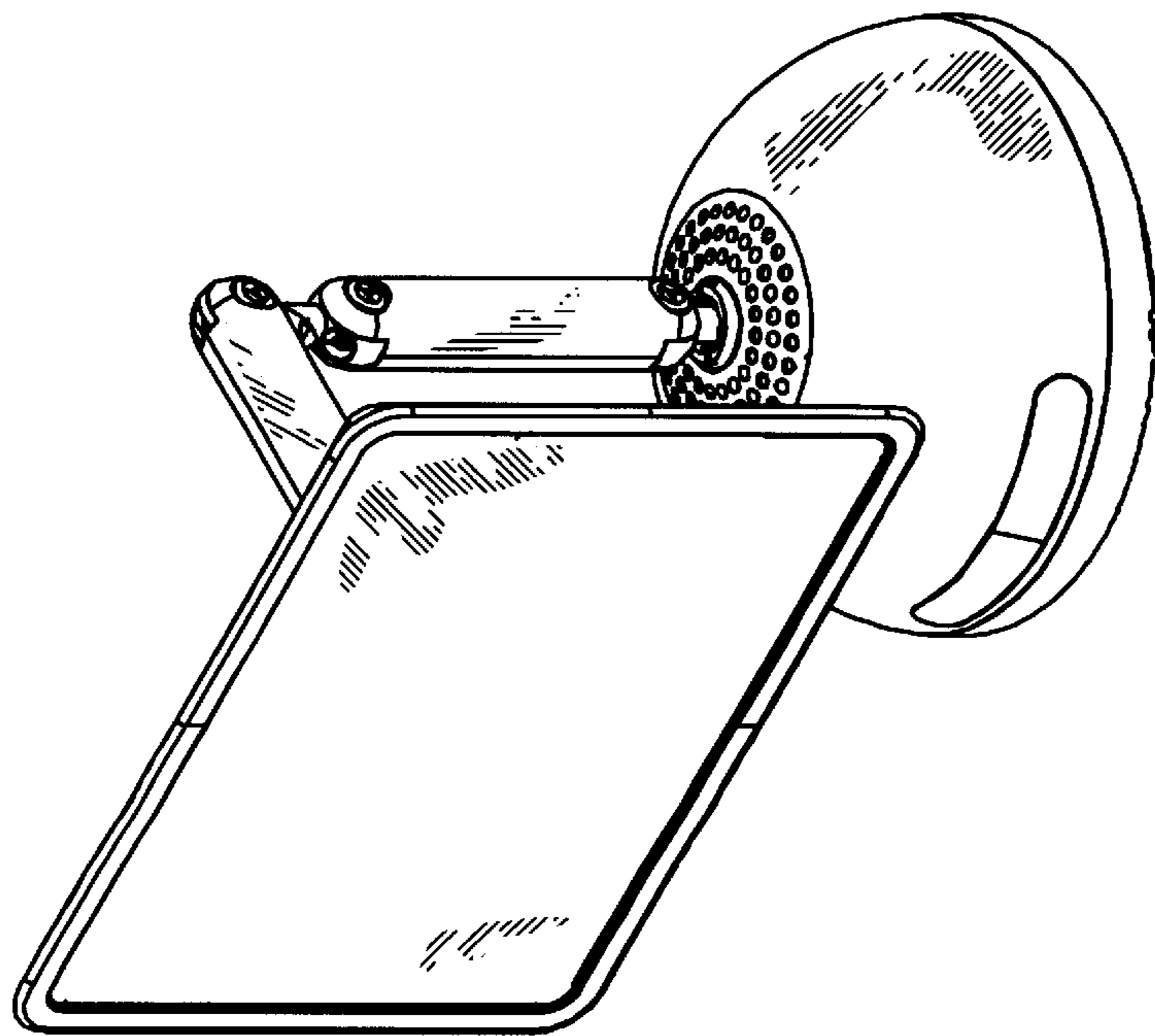


FIG. 9

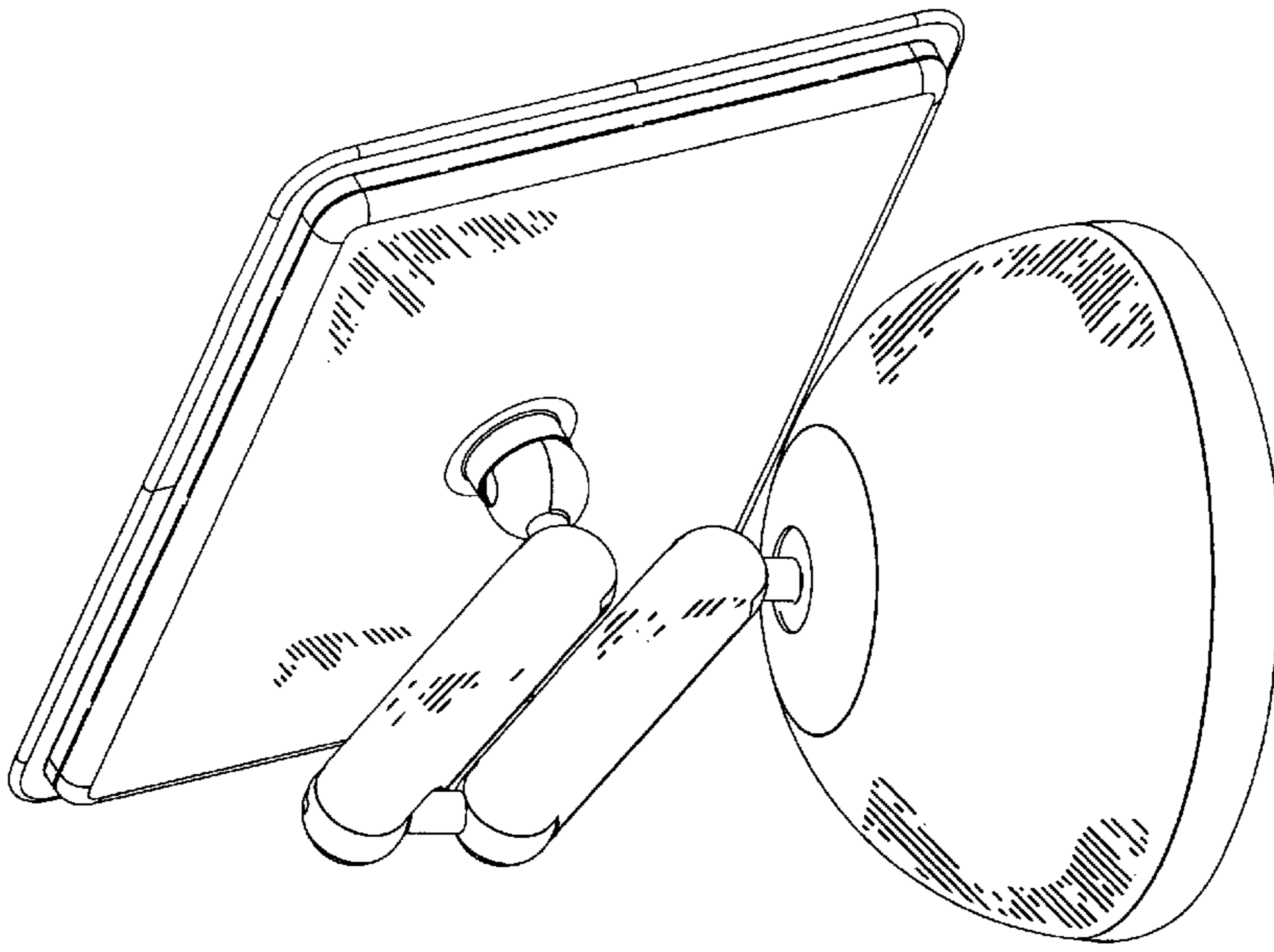


FIG. 12

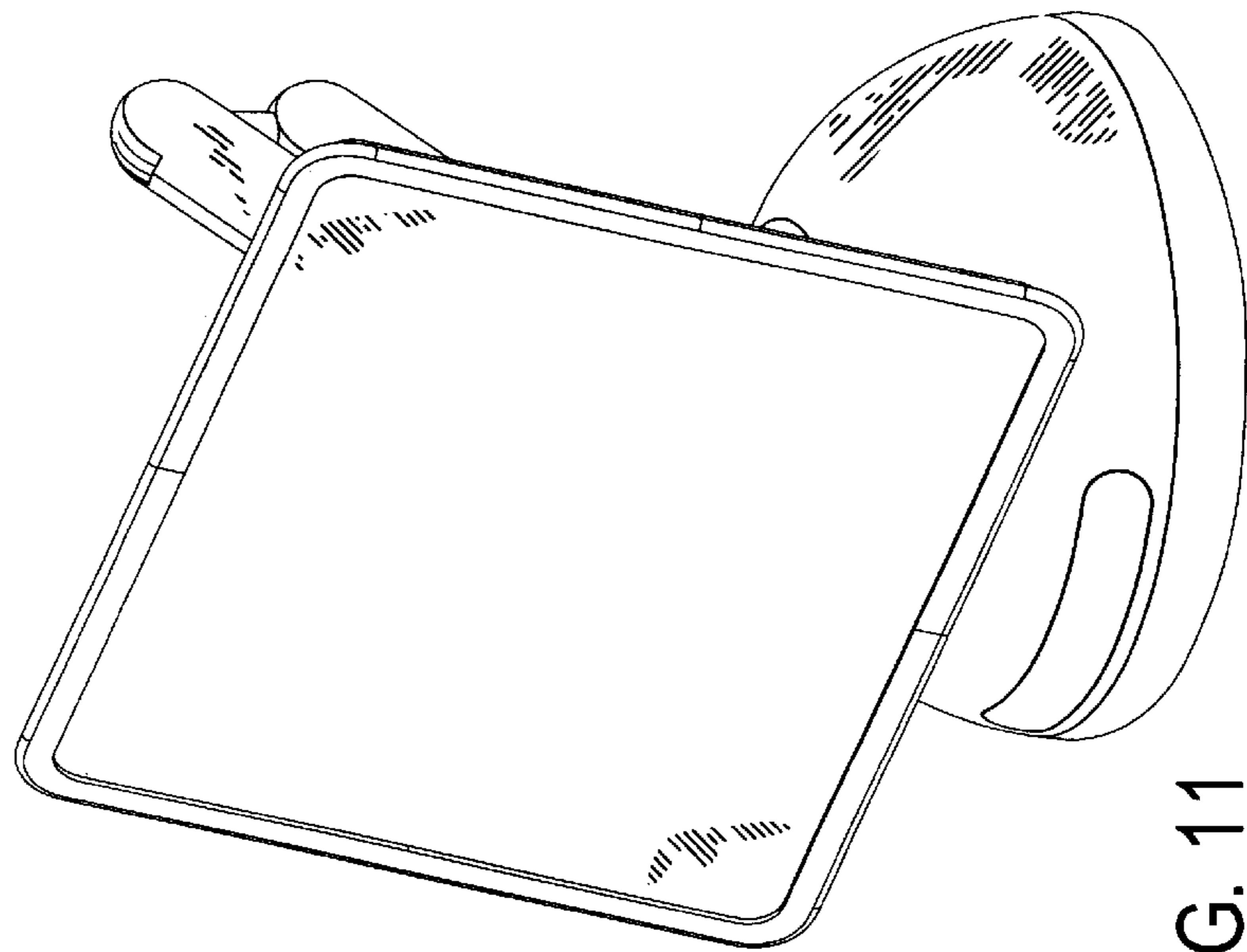


FIG. 11



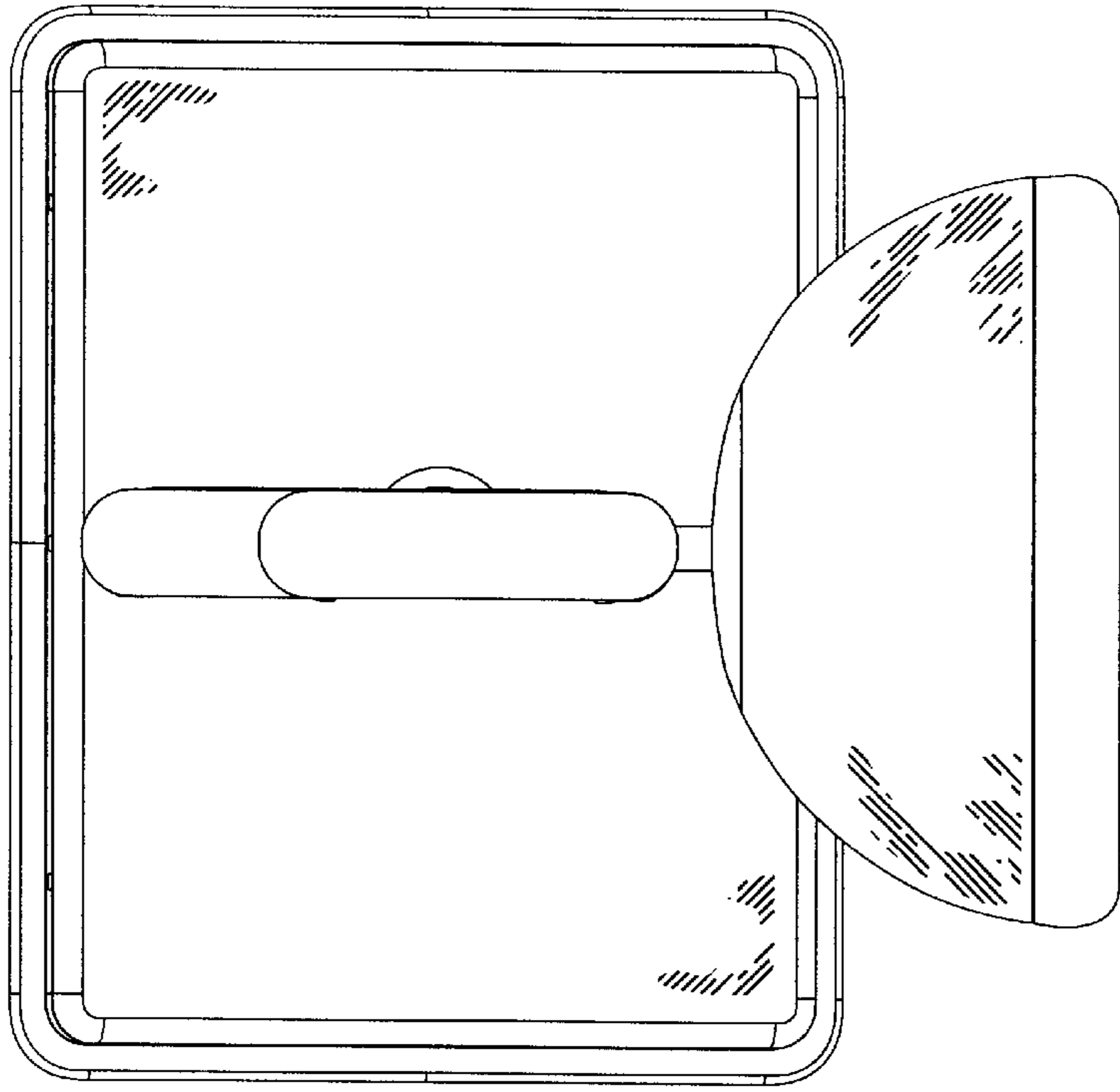


FIG. 14

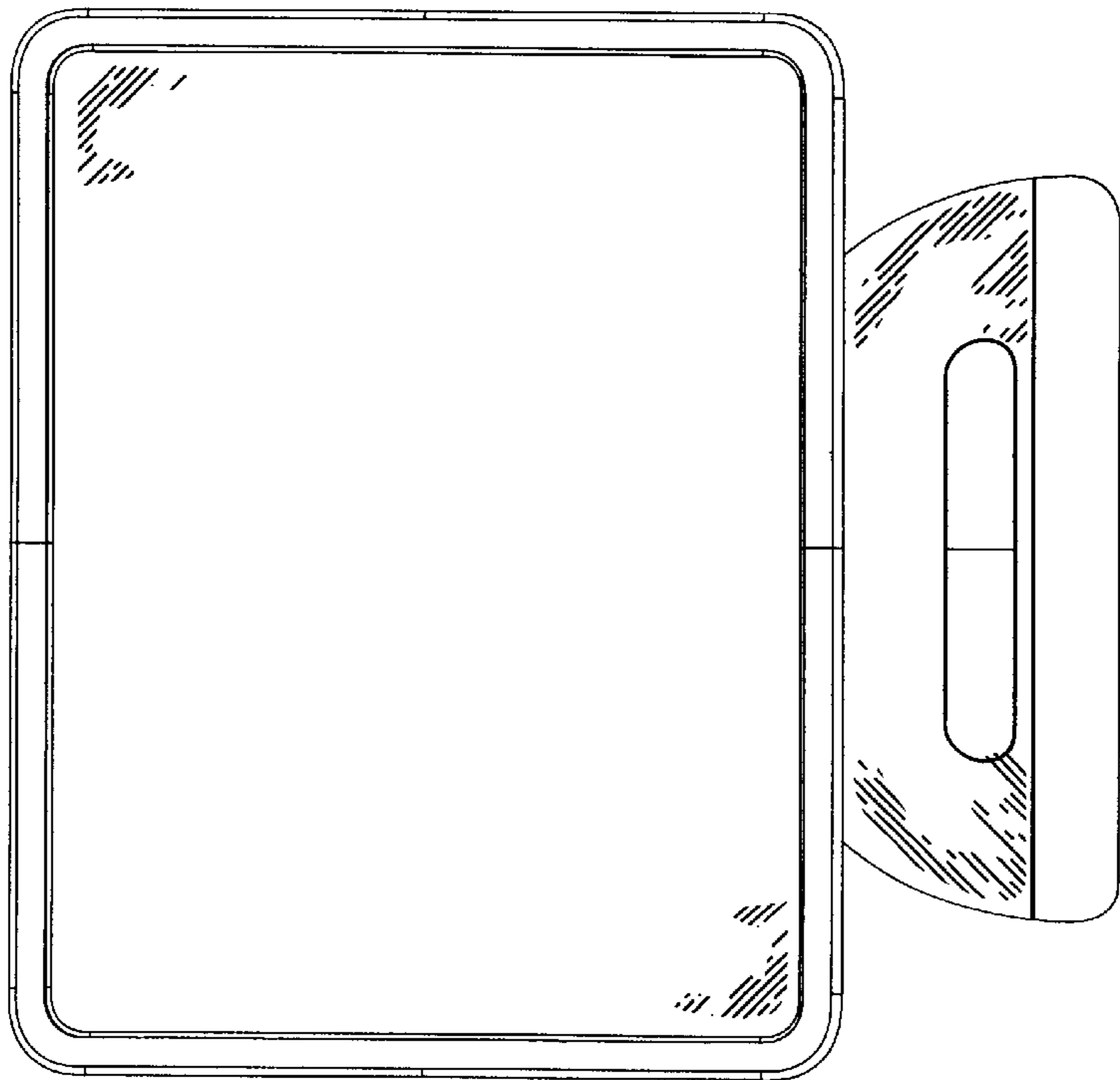


FIG. 13

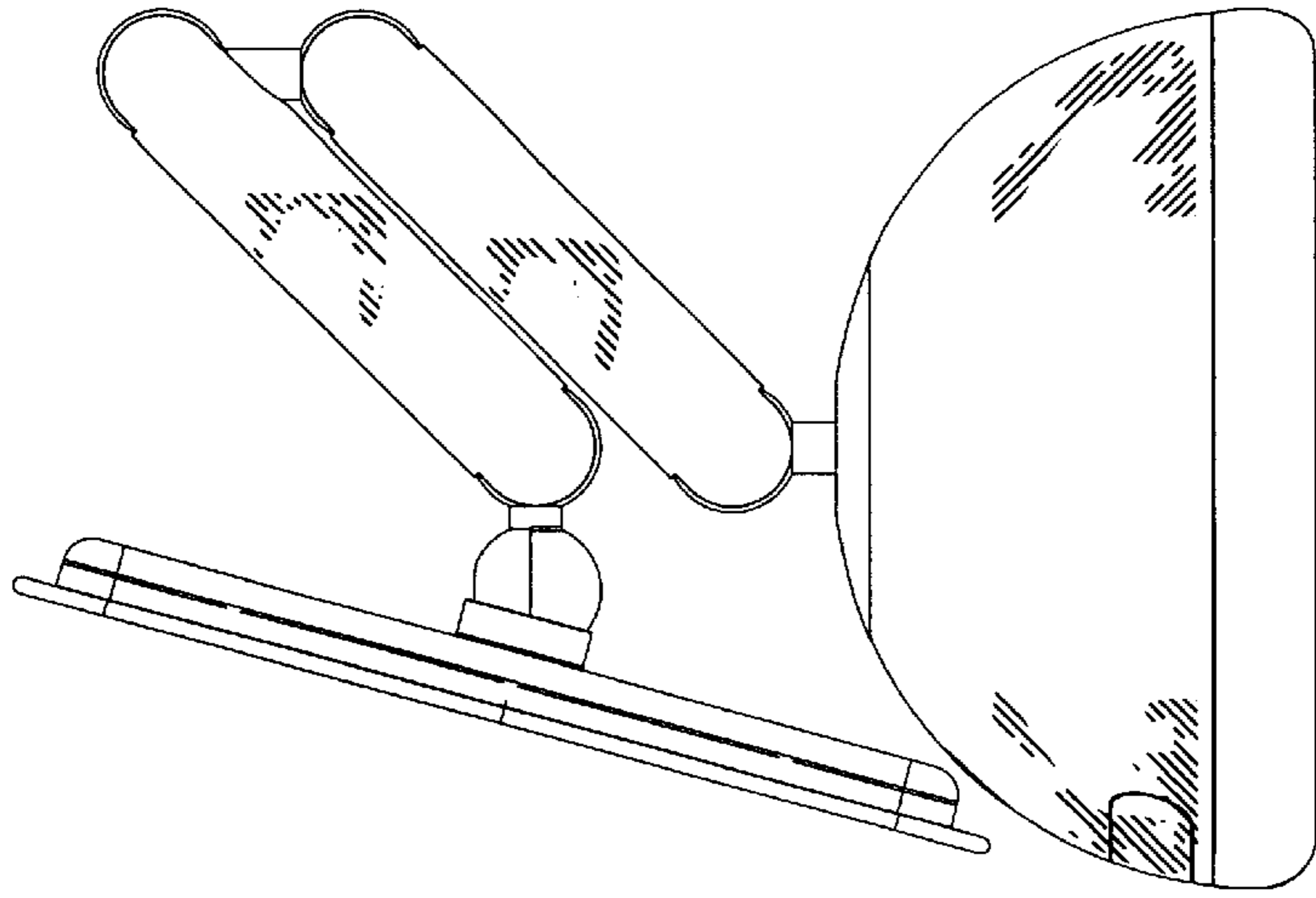


FIG. 16

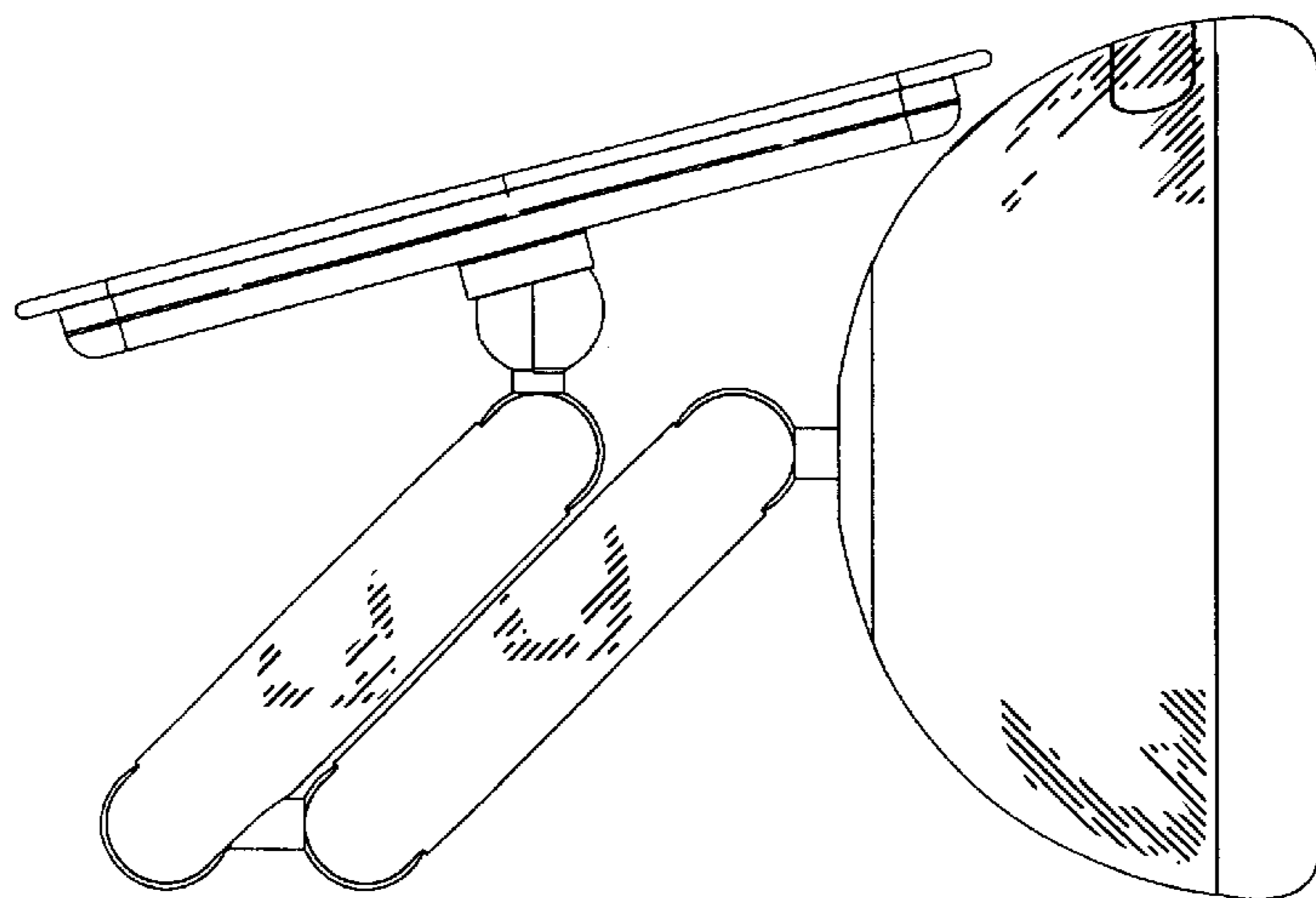


FIG. 15

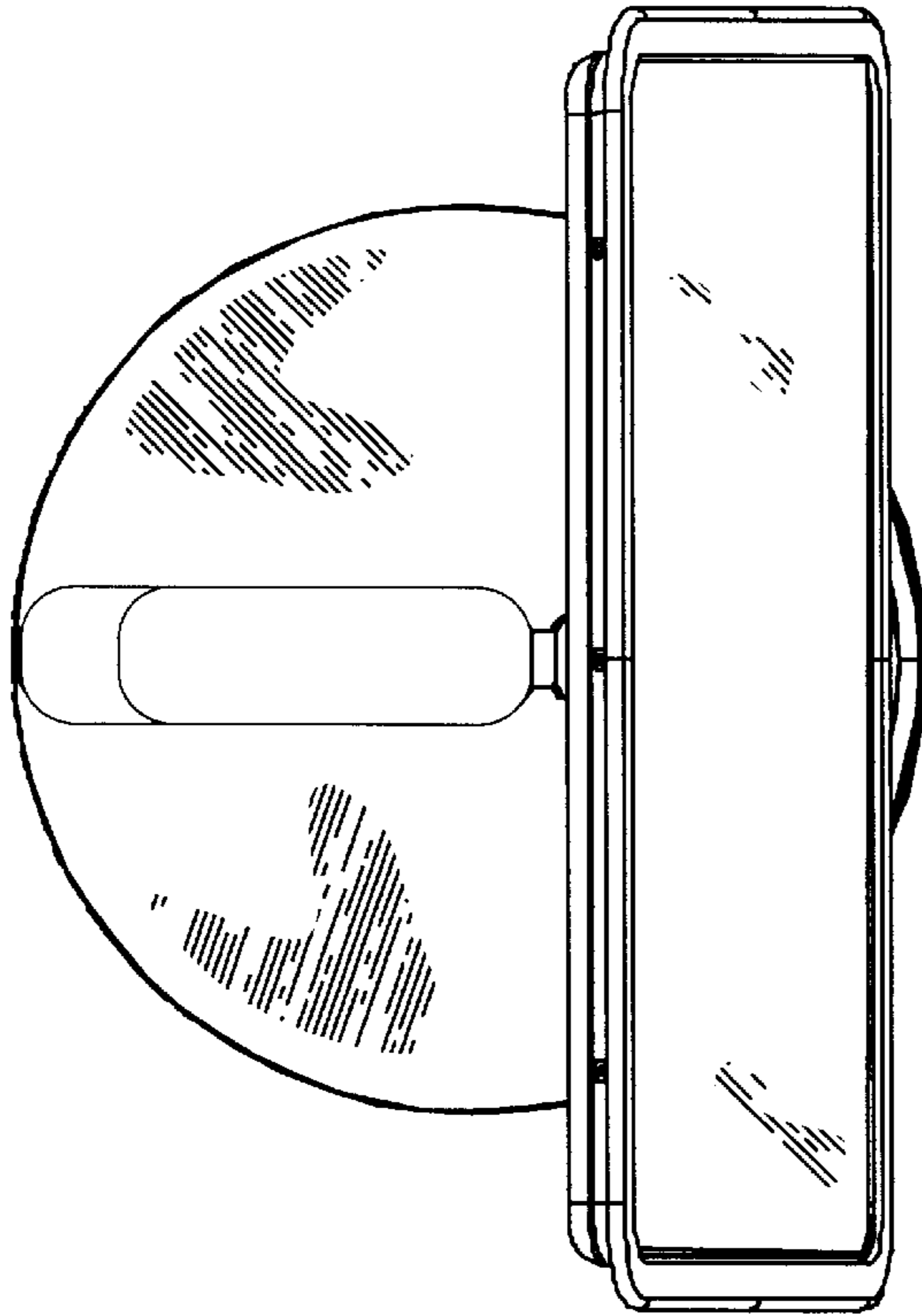


FIG. 18

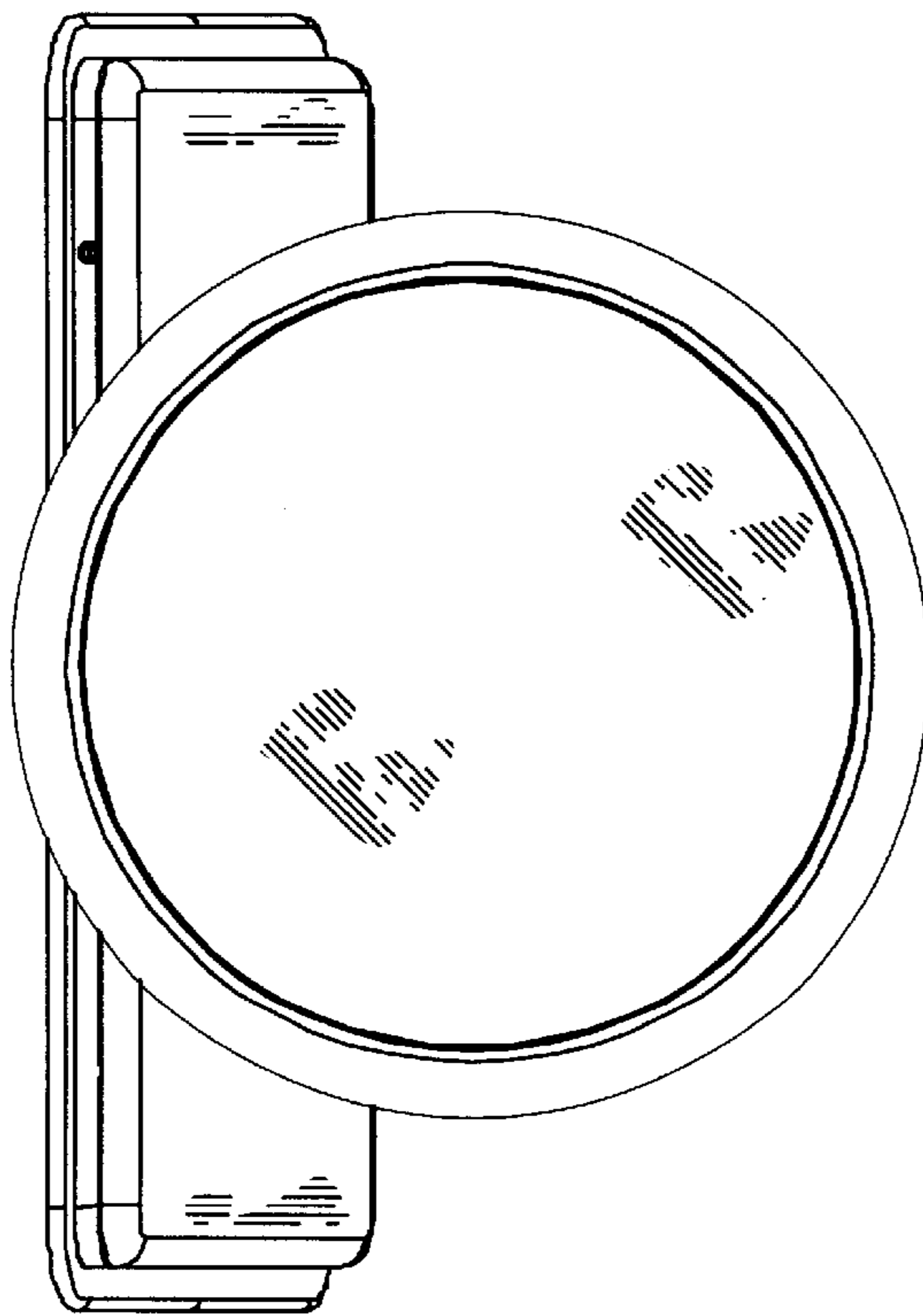


FIG. 17