



US00D489369S

(12) **United States Design Patent**
Sasaki

(10) **Patent No.:** **US D489,369 S**

(45) **Date of Patent:** **** May 4, 2004**

(54) **BASE STATION FOR COMPUTER COMMUNICATION NETWORK**

(75) Inventor: **Kazuhiro Sasaki, Kariya (JP)**

(73) Assignee: **Kabushiki Kaisha Toyota Jidoshokki, Kariya (JP)**

(**) Term: **14 Years**

(21) Appl. No.: **29/165,229**

(22) Filed: **Aug. 7, 2002**

(30) **Foreign Application Priority Data**

Feb. 15, 2002 (JP) 2002-003809

(51) **LOC (7) Cl.** **14-02**

(52) **U.S. Cl.** **D14/358**

(58) **Field of Search** D14/356-359, D14/432-434, 149, 155, 240; D13/162, 184, 199; 360/97.01, 97.04, 98.01; 361/690-696; 369/34.01, 36.01; 439/95, 248; 379/429

(56) **References Cited**

U.S. PATENT DOCUMENTS

- D353,372 S * 12/1994 Delhaes D14/149
- D357,234 S * 4/1995 Yoshihara D14/358
- 5,548,643 A * 8/1996 Dalgleish et al. 379/429
- D394,266 S * 5/1998 Hogenbirk D14/240

- D401,580 S * 11/1998 Goto D14/155
- D429,238 S * 8/2000 Kolinen D14/240
- D438,199 S * 2/2001 Arpe D14/240

* cited by examiner

Primary Examiner—Freda Nunn

(74) *Attorney, Agent, or Firm*—Morgan & Finnegan, LLP

(57) **CLAIM**

The ornamental design for a base station for computer communication network, as shown and described.

DESCRIPTION

FIG. 1 is a front view showing a base station for computer communication network according to the present invention; FIG. 2 is a rear view showing the base station of FIG. 1; FIG. 3 is a top plan view showing the base station of FIG. 1; FIG. 4 is a bottom plan view showing the base station of FIG. 1; FIG. 5 is a right side view showing the base station of FIG. 1; FIG. 6 is a left side view showing the base station of FIG. 1; FIG. 7 is a front perspective view showing the base station of FIG. 1; and, FIG. 8 is a rear perspective view showing the base station of FIG. 1.

1 Claim, 3 Drawing Sheets

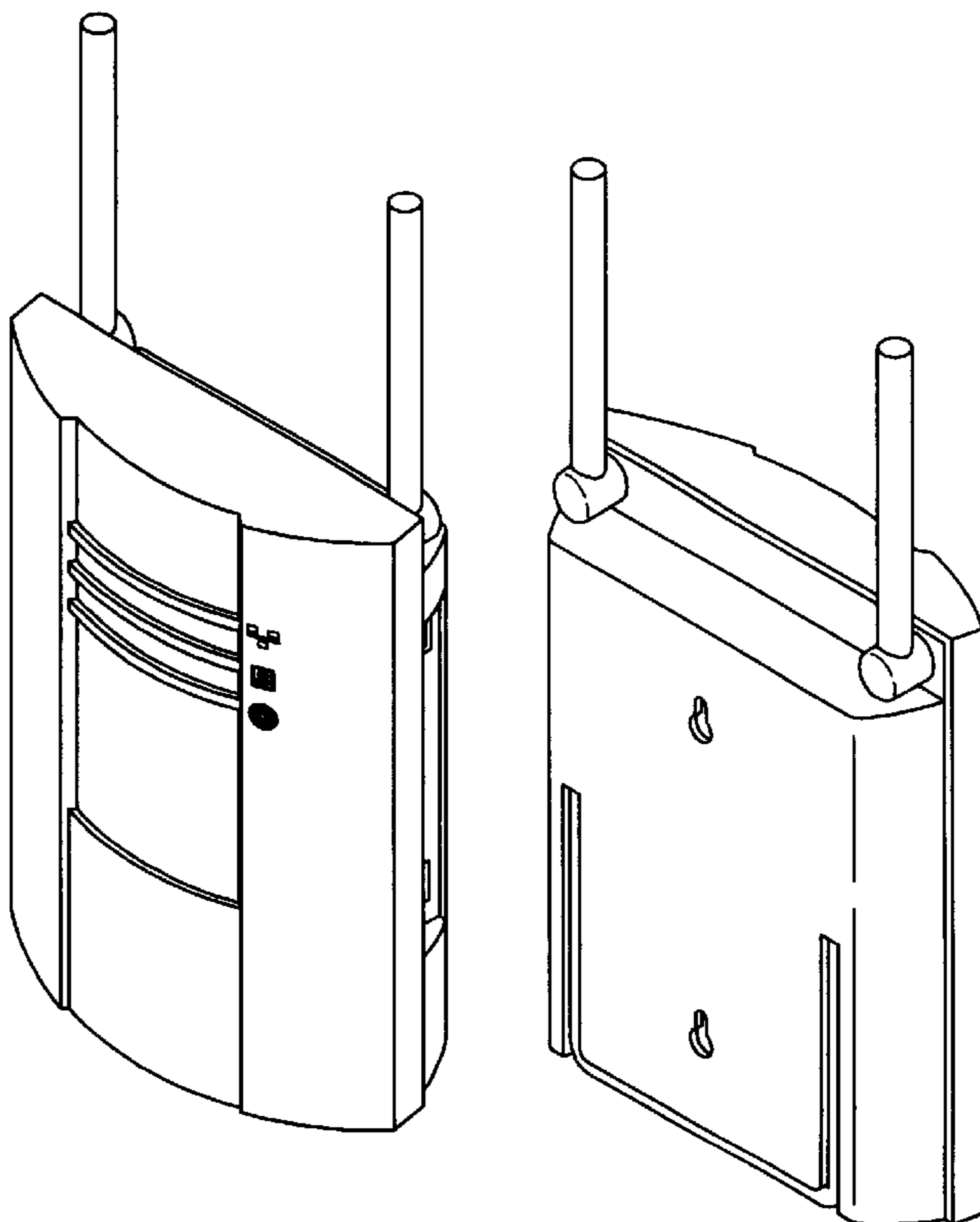


Fig. 1

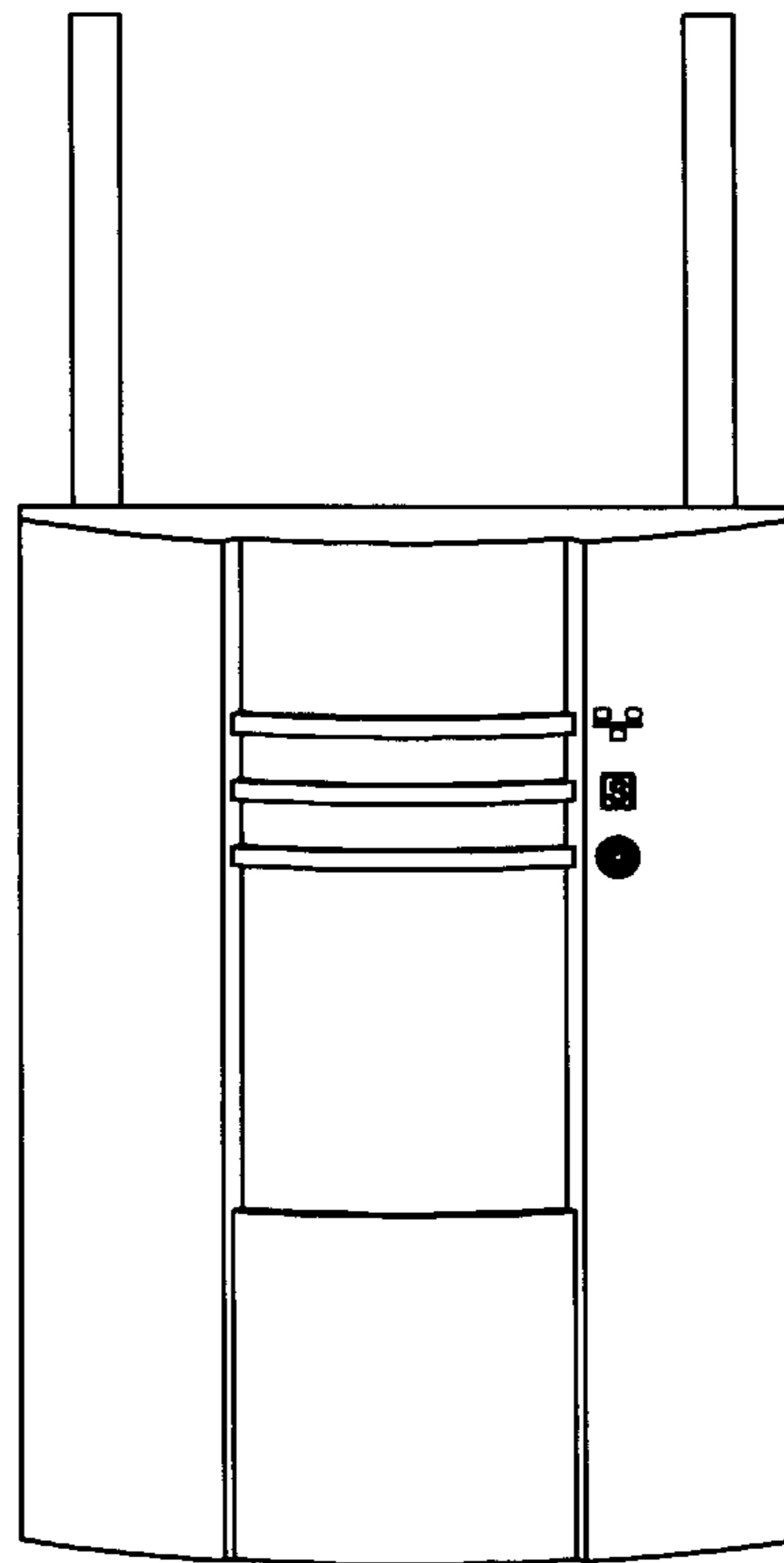


Fig. 2

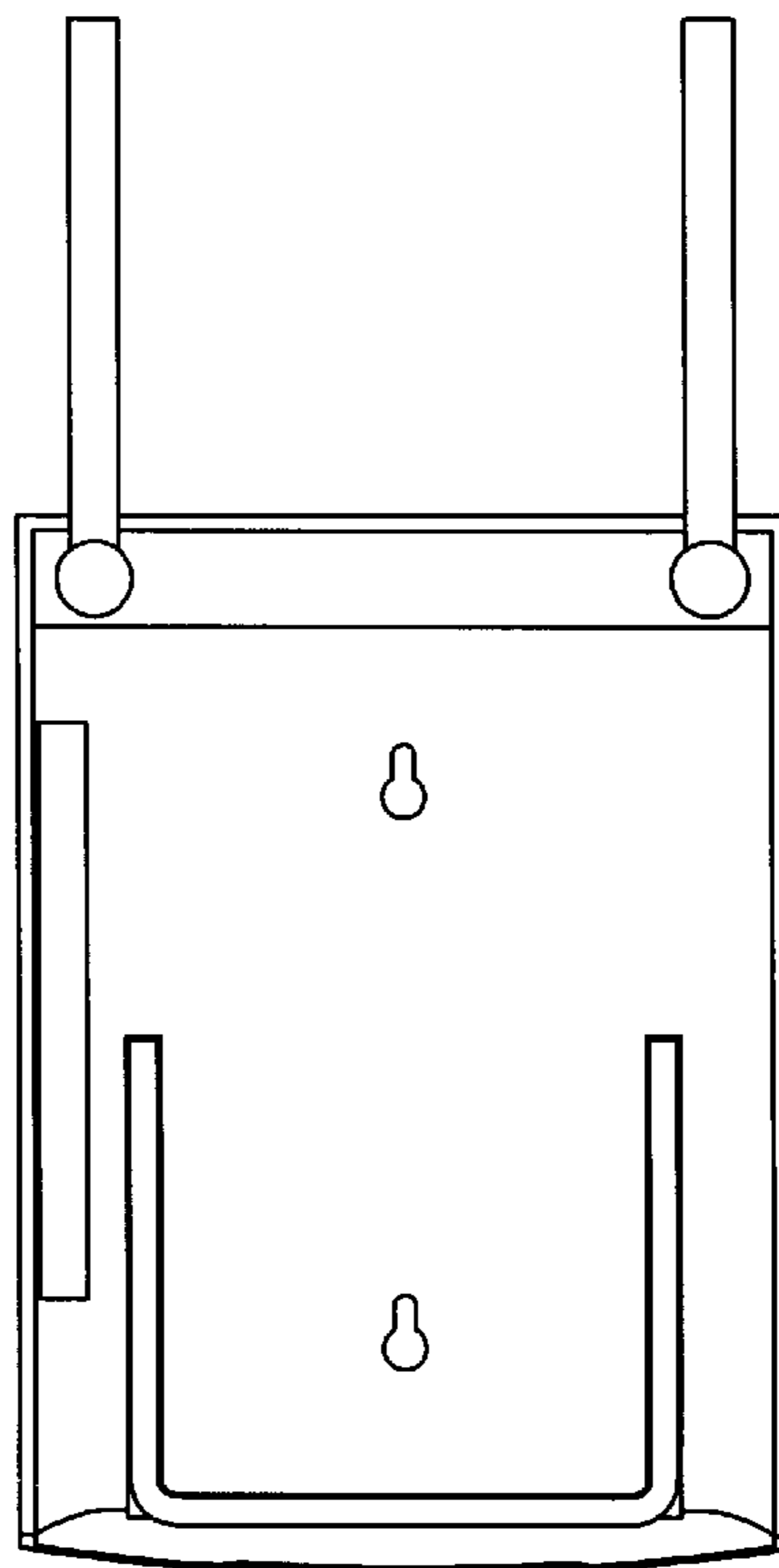


Fig. 3

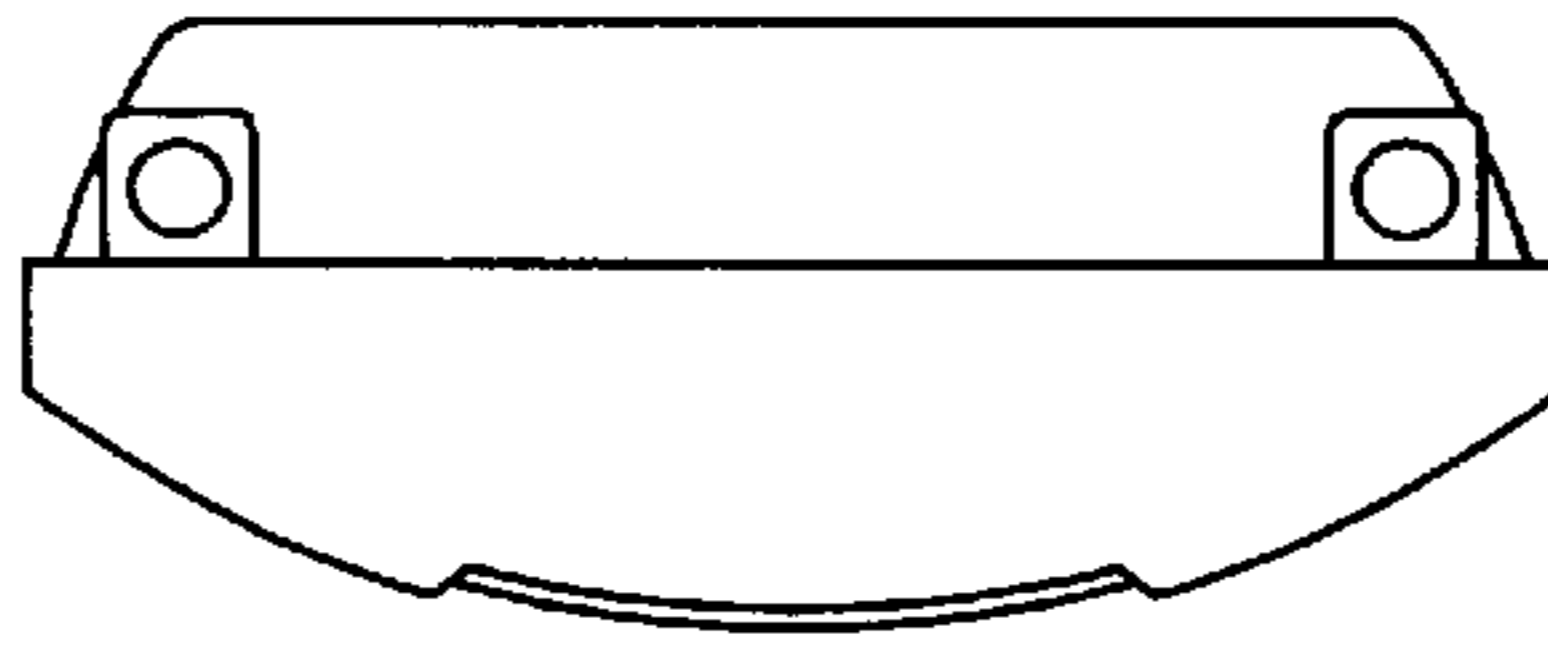


Fig. 4

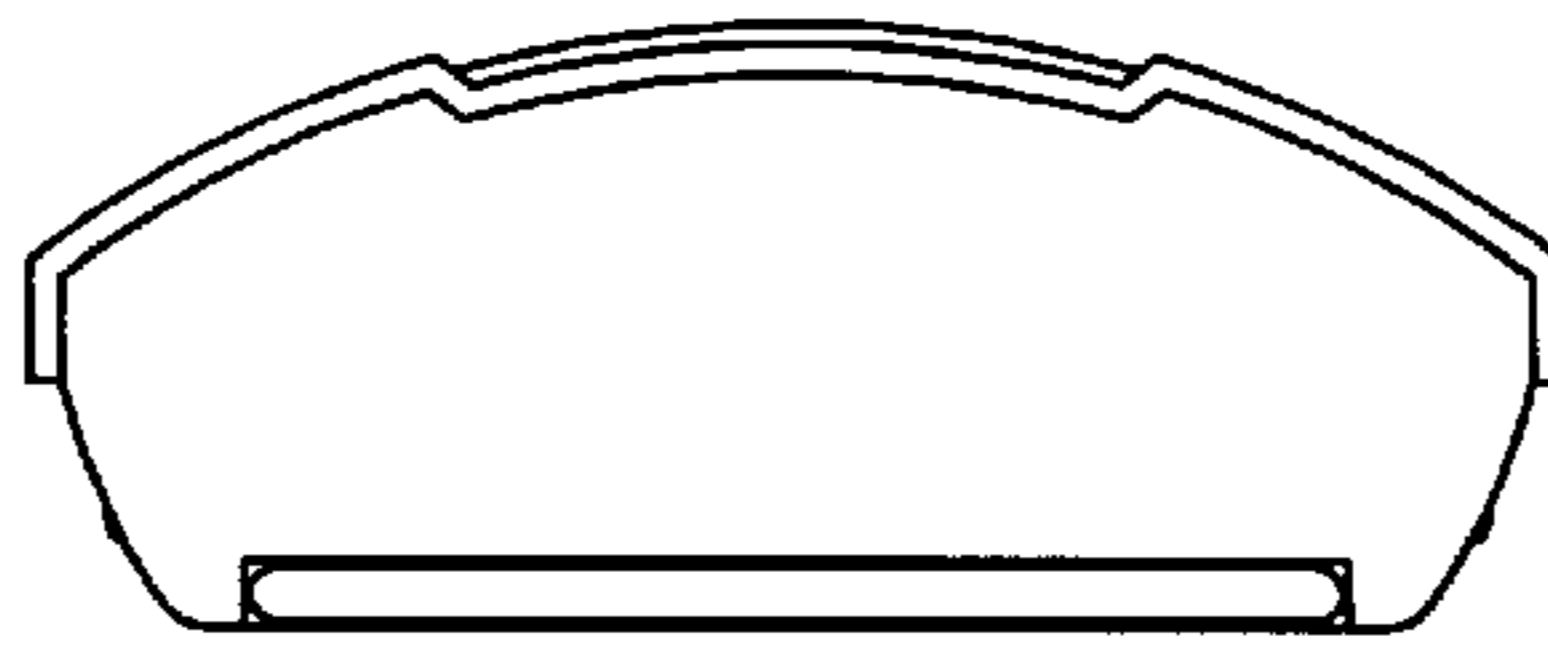


Fig. 5

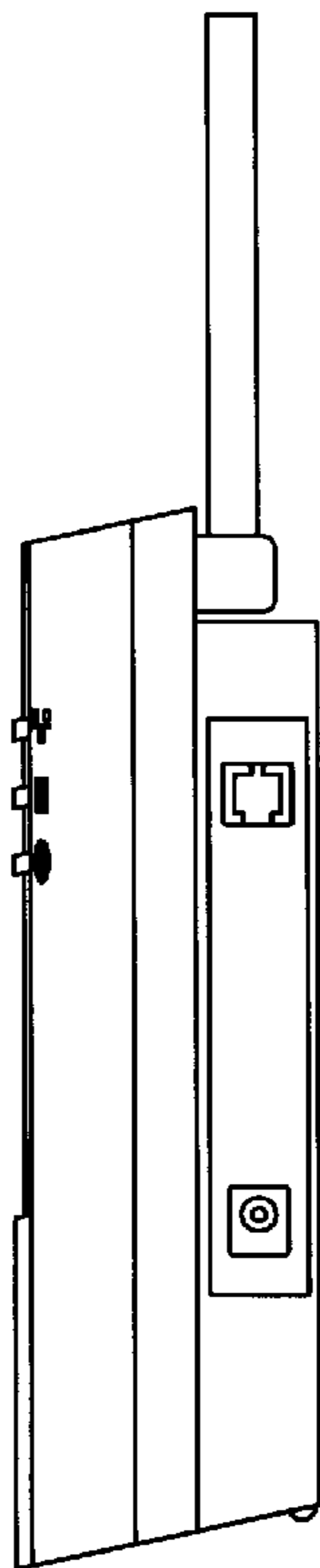


Fig. 6

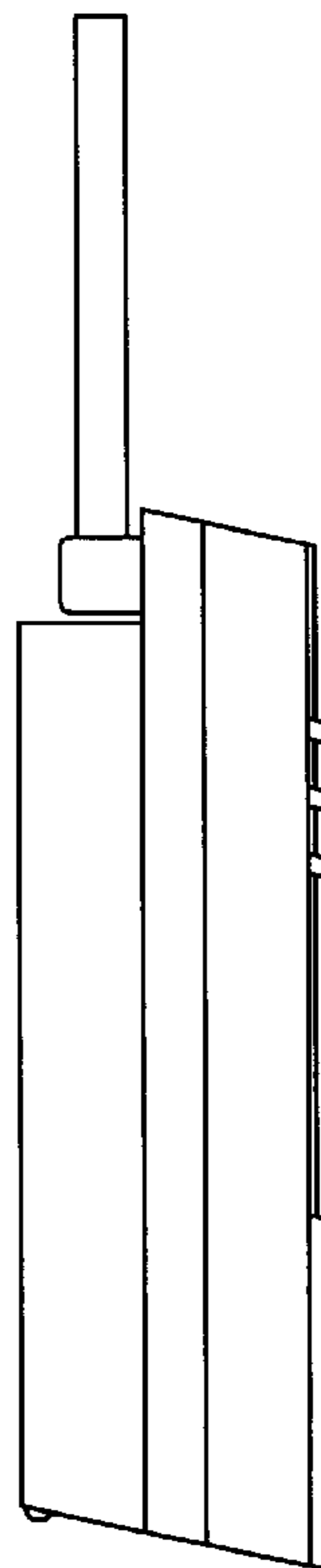


Fig.7

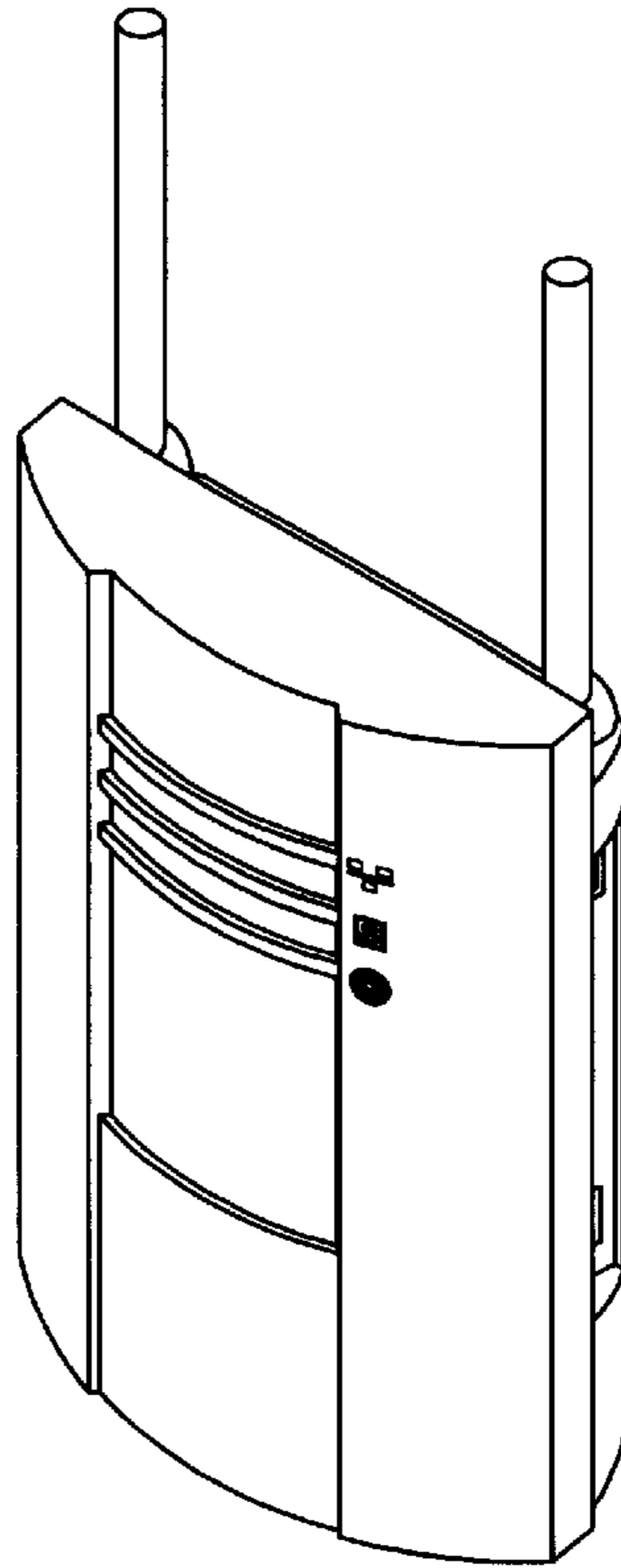


Fig.8

