



US00D489367S

(12) **United States Design Patent**  
**Lynch et al.**

(10) **Patent No.:** **US D489,367 S**

(45) **Date of Patent:** **\*\* May 4, 2004**

(54) **INTERACTIVE PRINT MEDIA APPARATUS**

(75) Inventors: **Larry Lynch**, Los Gatos, CA (US);  
**Eric Thomas Shuler**, Piedmont, CA (US);  
**George Heropoulos**, Morgan Hill, CA (US)

(73) Assignee: **Leapfrog Enterprises, Inc.**,  
Emeryville, CA (US)

(\*\*) Term: **14 Years**

(21) Appl. No.: **29/179,867**

(22) Filed: **Apr. 15, 2003**

(51) **LOC (7) Cl.** ..... **14-02**

(52) **U.S. Cl.** ..... **D14/345**

(58) **Field of Search** ..... D14/341-345;  
D19/59, 60, 26; 178/18.03; 345/104, 156,  
168, 173, 901, 905; 434/317; 349/12

(56) **References Cited**

**U.S. PATENT DOCUMENTS**

- 4,913,463 A 4/1990 Tlapek et al.
- 5,466,158 A \* 11/1995 Smith, III ..... 434/317
- 5,558,520 A \* 9/1996 Werzberger ..... 434/317
- D385,299 S \* 10/1997 Adams ..... D14/342

- D391,987 S \* 3/1998 Jambhekar et al. .... D14/345
- 6,269,238 B1 \* 7/2001 Iggulden ..... 434/317
- 2001/0051329 A1 12/2001 Lynch et al.

\* cited by examiner

*Primary Examiner*—Freda Nunn

(74) *Attorney, Agent, or Firm*—Townsend and Townsend and Crew LLP

(57) **CLAIM**

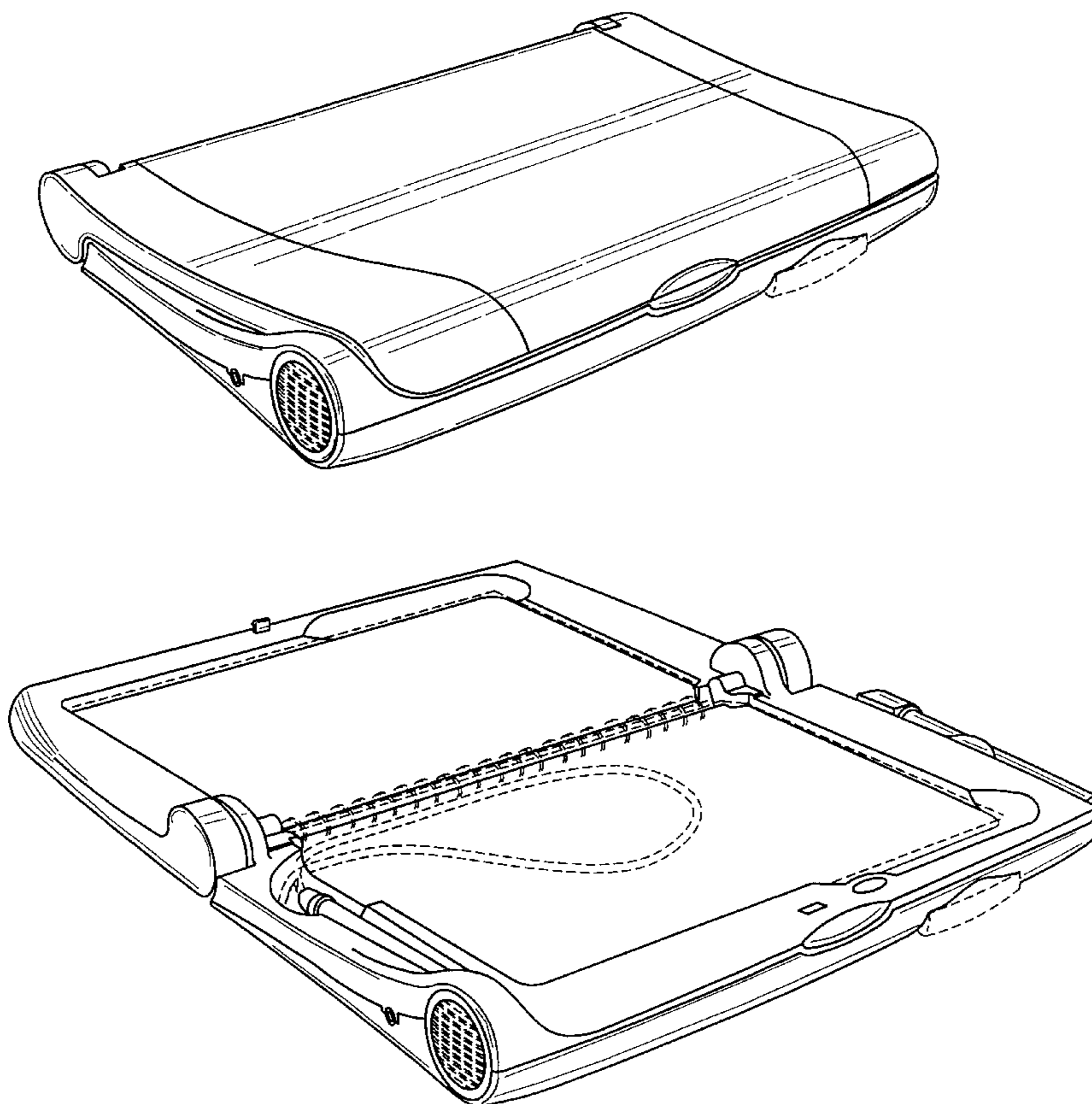
The ornamental design for an interactive print media apparatus, as shown and described.

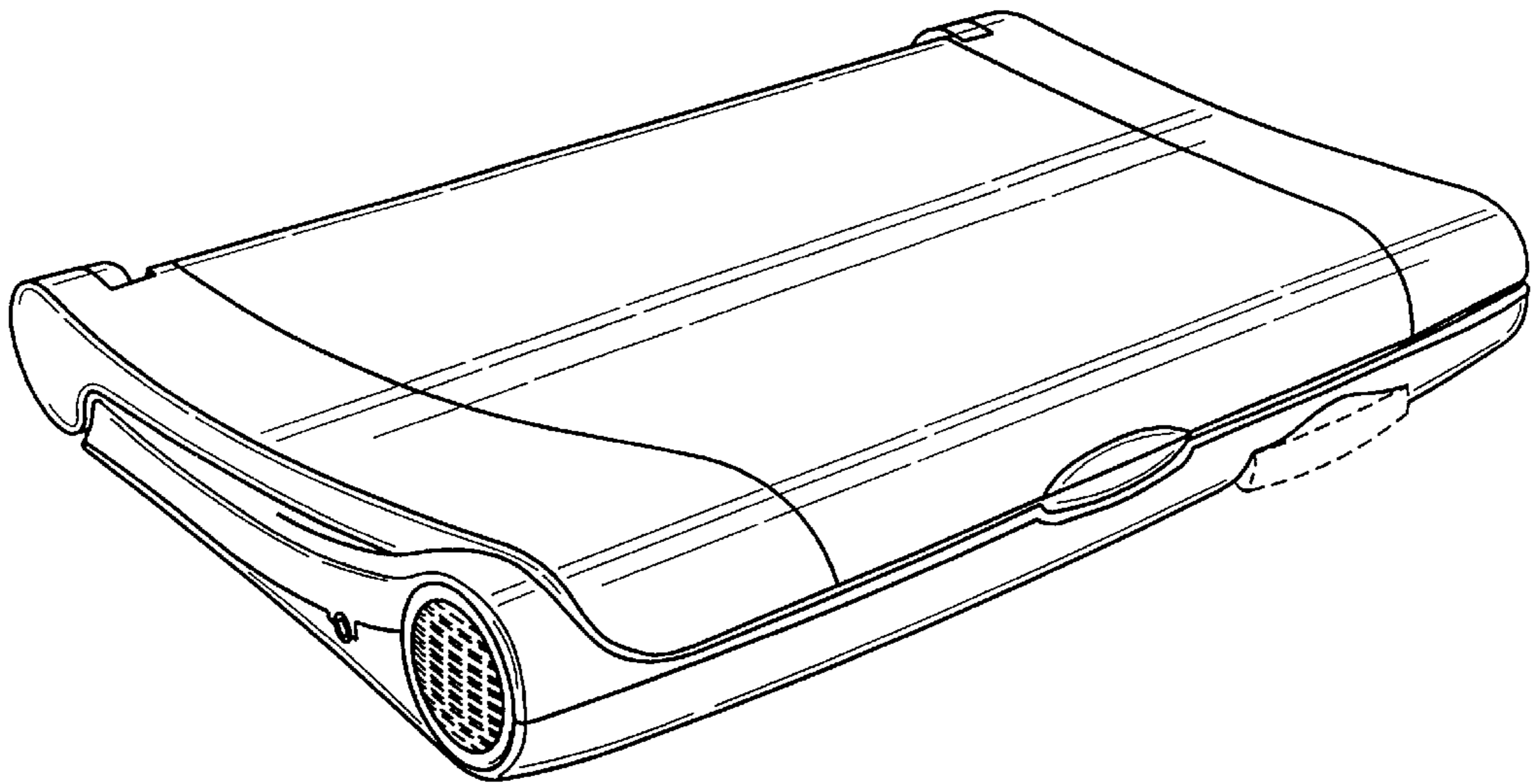
**DESCRIPTION**

FIG. 1 is a perspective view of an interactive print media apparatus showing our new design, in a closed position; FIG. 2 is a top plan view thereof; FIG. 3 is a right side elevation view thereof; FIG. 4 is a left side elevation view thereof; FIG. 5 is a front elevation view thereof; FIG. 6 is a back elevation view thereof; FIG. 7 is a bottom plan view thereof; and, FIG. 8 is a perspective view of the new design, in an open position.

The broken lines shown in the drawings form no part of the claimed design.

**1 Claim, 4 Drawing Sheets**





*FIG. 1*

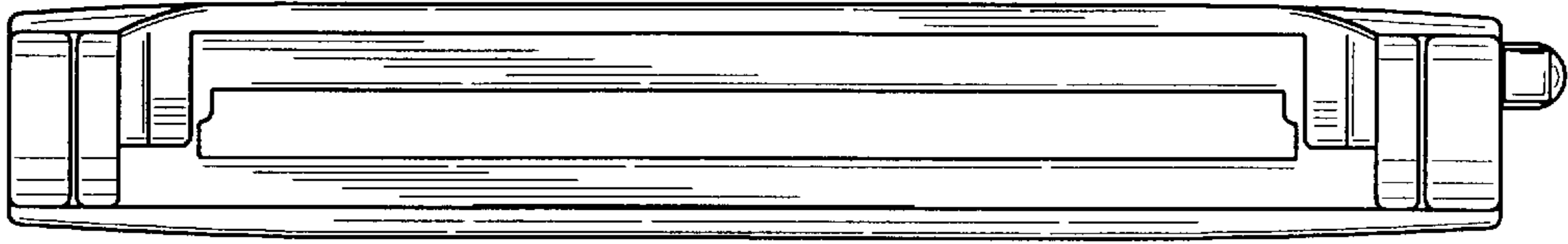


FIG. 4

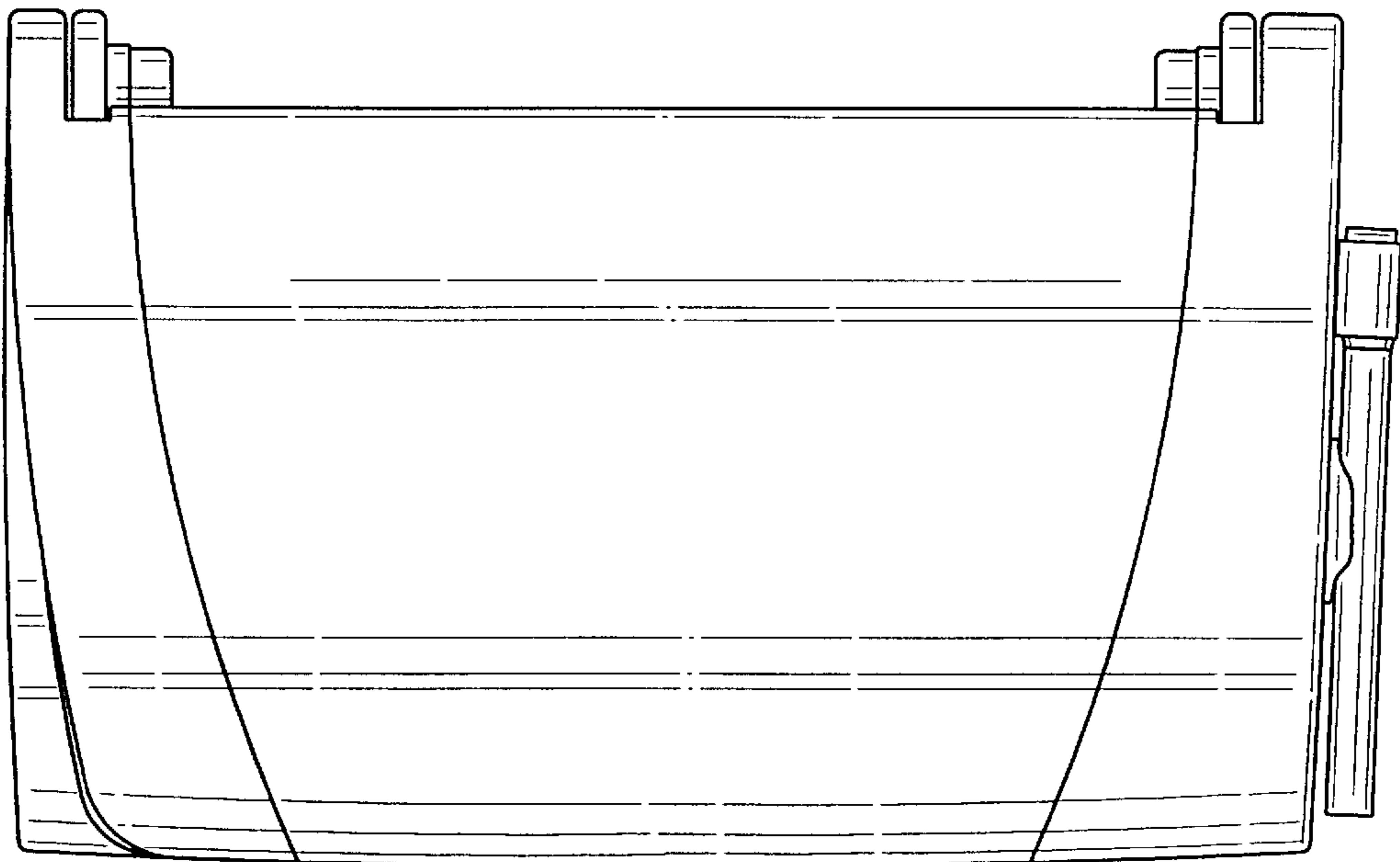


FIG. 2

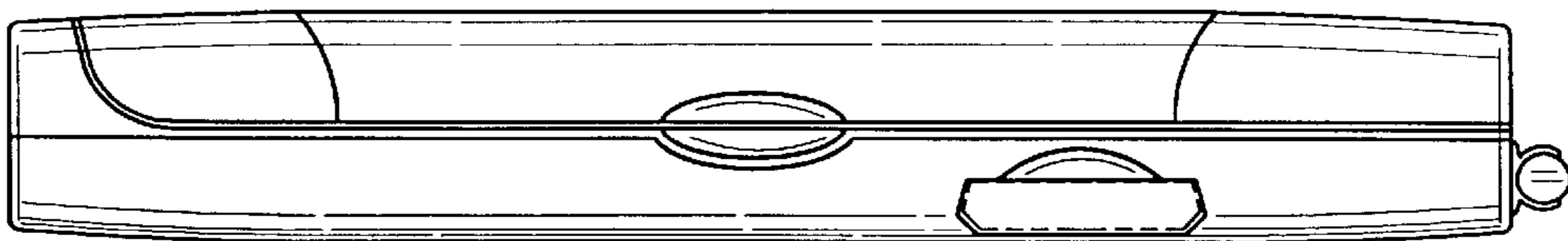


FIG. 3

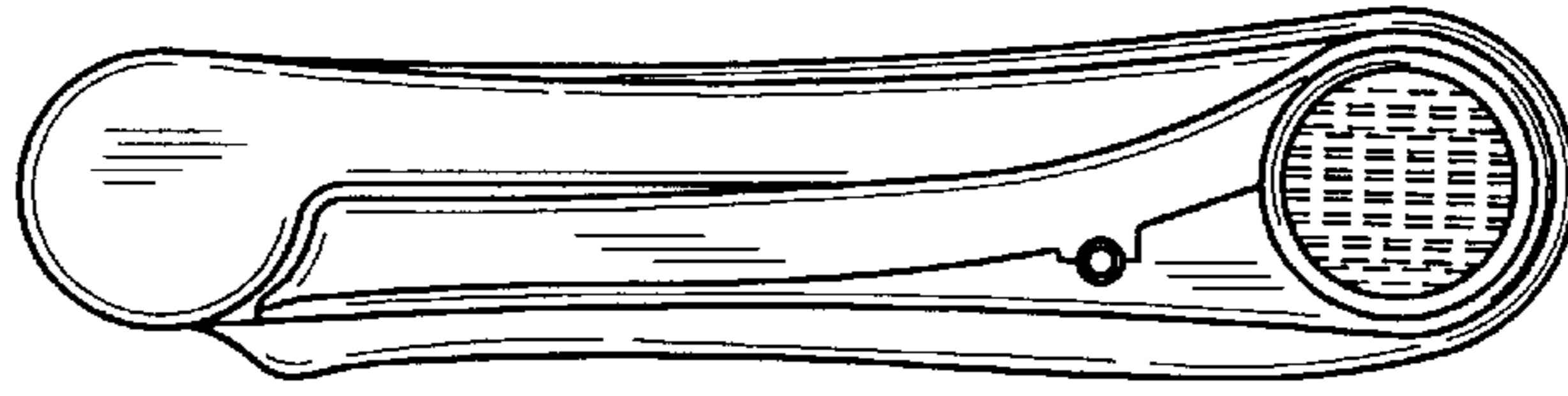


FIG. 5

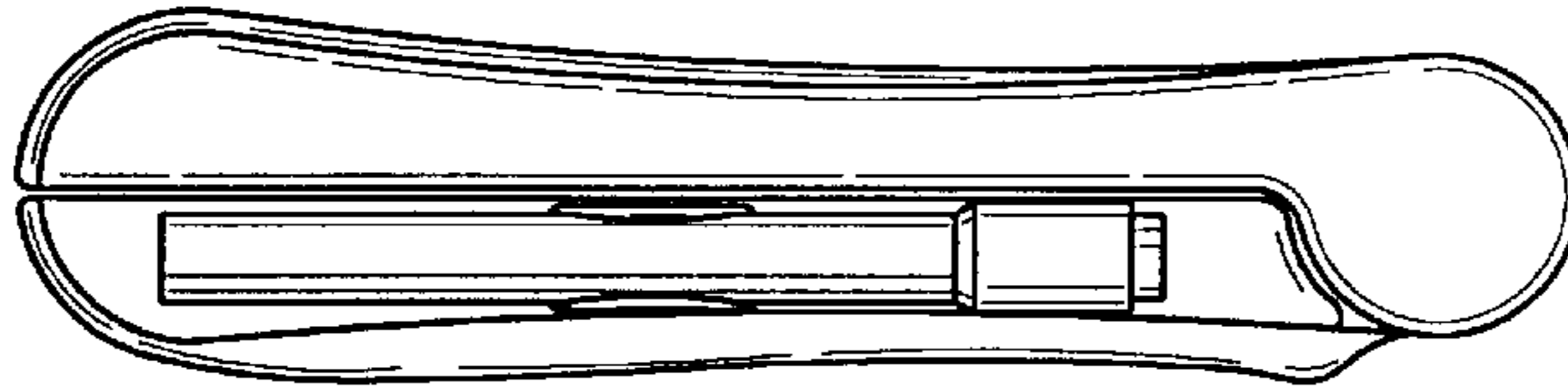


FIG. 6

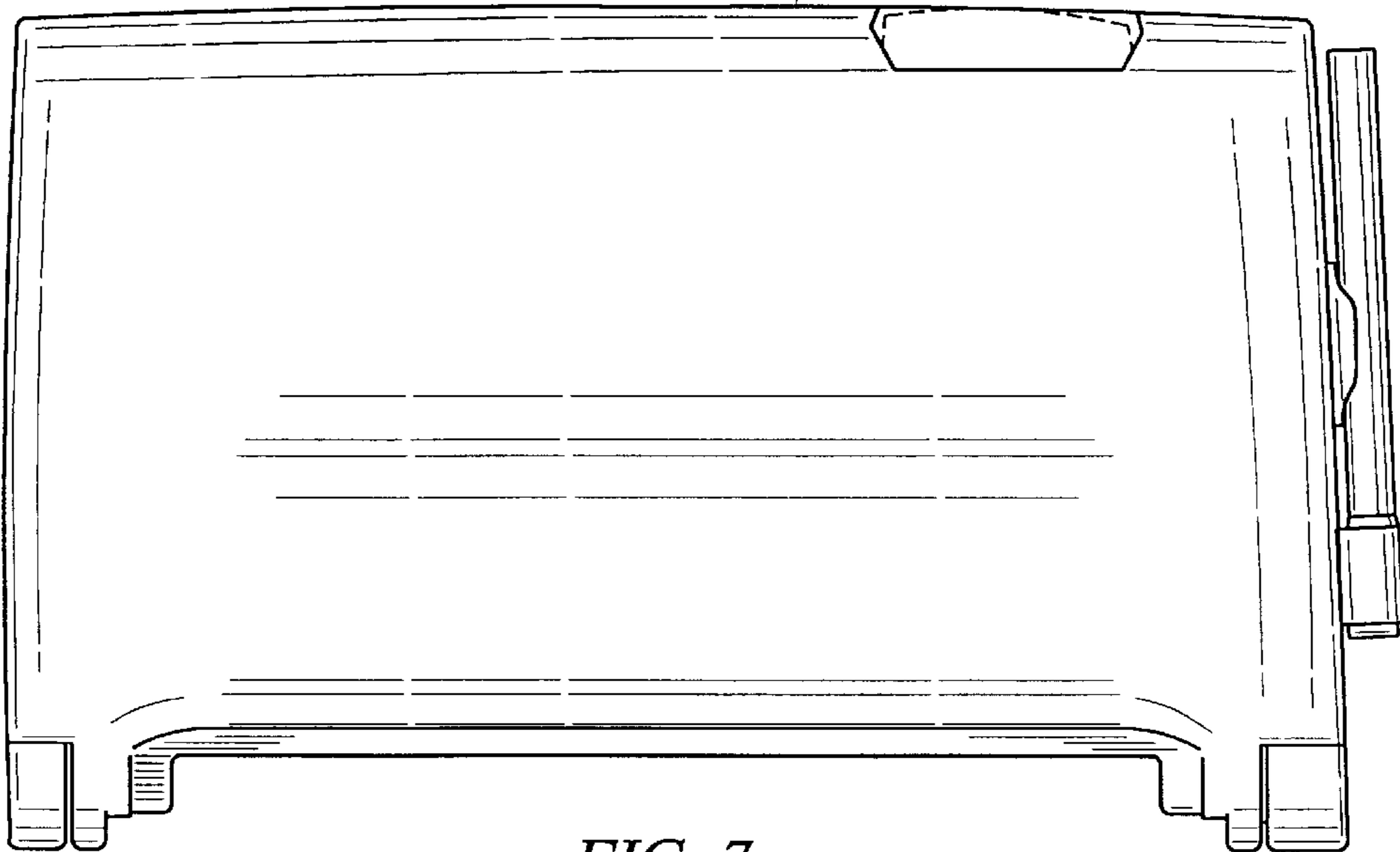


FIG. 7

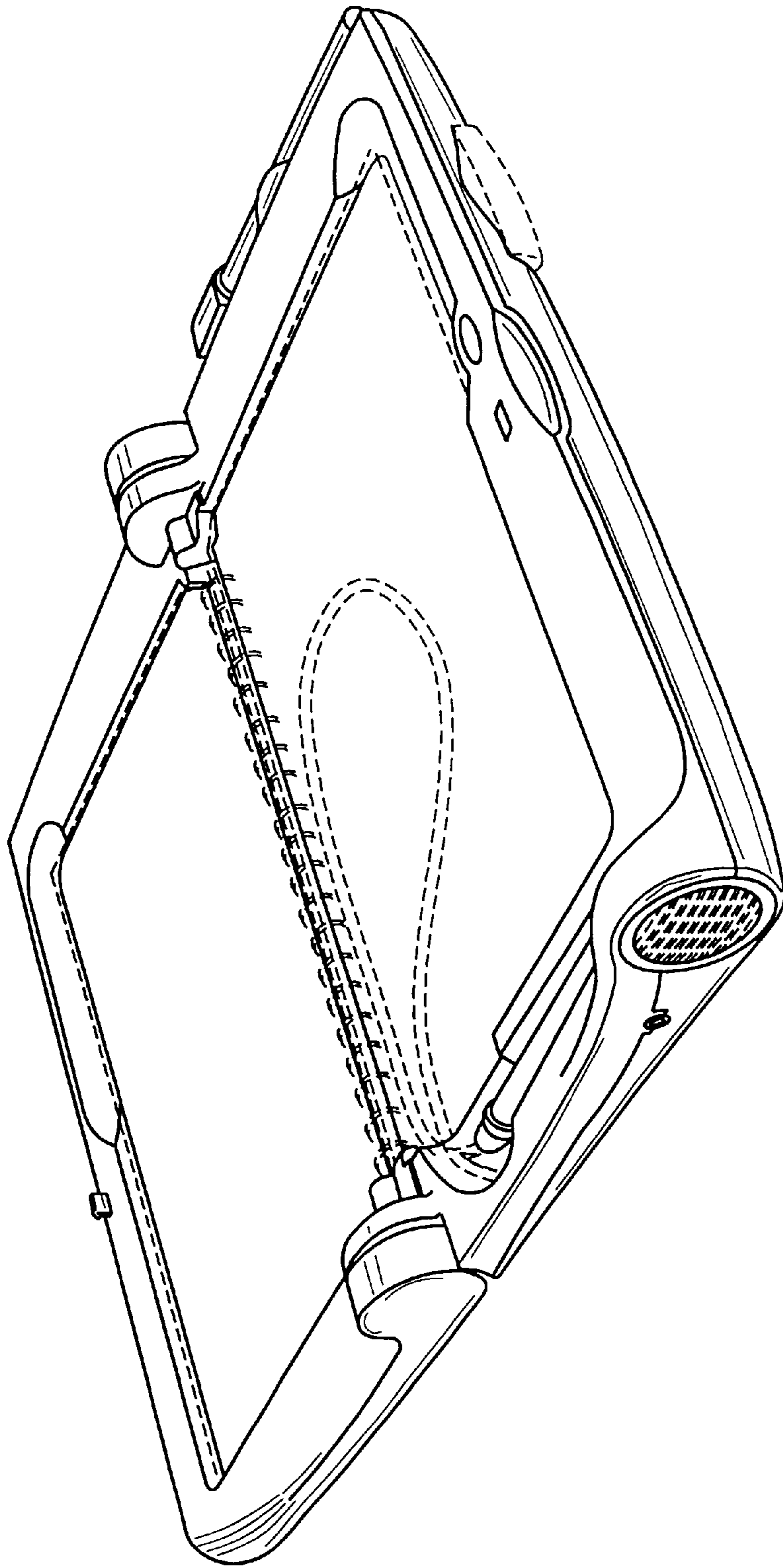


FIG. 8