



US00D489366S

(12) **United States Design Patent**  
**Lu**

(10) **Patent No.:** **US D489,366 S**

(45) **Date of Patent:** **\*\* May 4, 2004**

(54) **NOTEBOOK COMPUTER**

(75) Inventor: **Pei-Yu Lu**, Tu-chen (TW)

(73) Assignee: **Hon Hai Precision Ind. Co., Ltd.**,  
Taipei Hsien (TW)

(\*\*) Term: **14 Years**

(21) Appl. No.: **29/174,222**

(22) Filed: **Jan. 13, 2003**

(30) **Foreign Application Priority Data**

Nov. 22, 2002 (TW) ..... 91306792

(51) **LOC (7) Cl.** ..... **14-02**

(52) **U.S. Cl.** ..... **D14/318**

(58) **Field of Search** ..... D14/315-323;  
D18/1, 2, 7; 235/145 A, 145 R; 341/22,  
23; 345/104, 156, 168, 169, 173; 361/680-686;  
D19/52

(56) **References Cited**

**U.S. PATENT DOCUMENTS**

D324,673 S \* 3/1992 Iino ..... D14/315  
D366,280 S \* 1/1996 Henderson ..... D19/52

D370,666 S \* 6/1996 Bovio et al. .... D14/327  
D391,927 S \* 3/1998 Faranda et al. .... D14/318  
D402,968 S \* 12/1998 Wolff et al. .... D14/318  
D428,003 S \* 7/2000 Lee et al. .... D14/315

\* cited by examiner

*Primary Examiner*—Freda Nunn

(74) *Attorney, Agent, or Firm*—Wei Te Chung

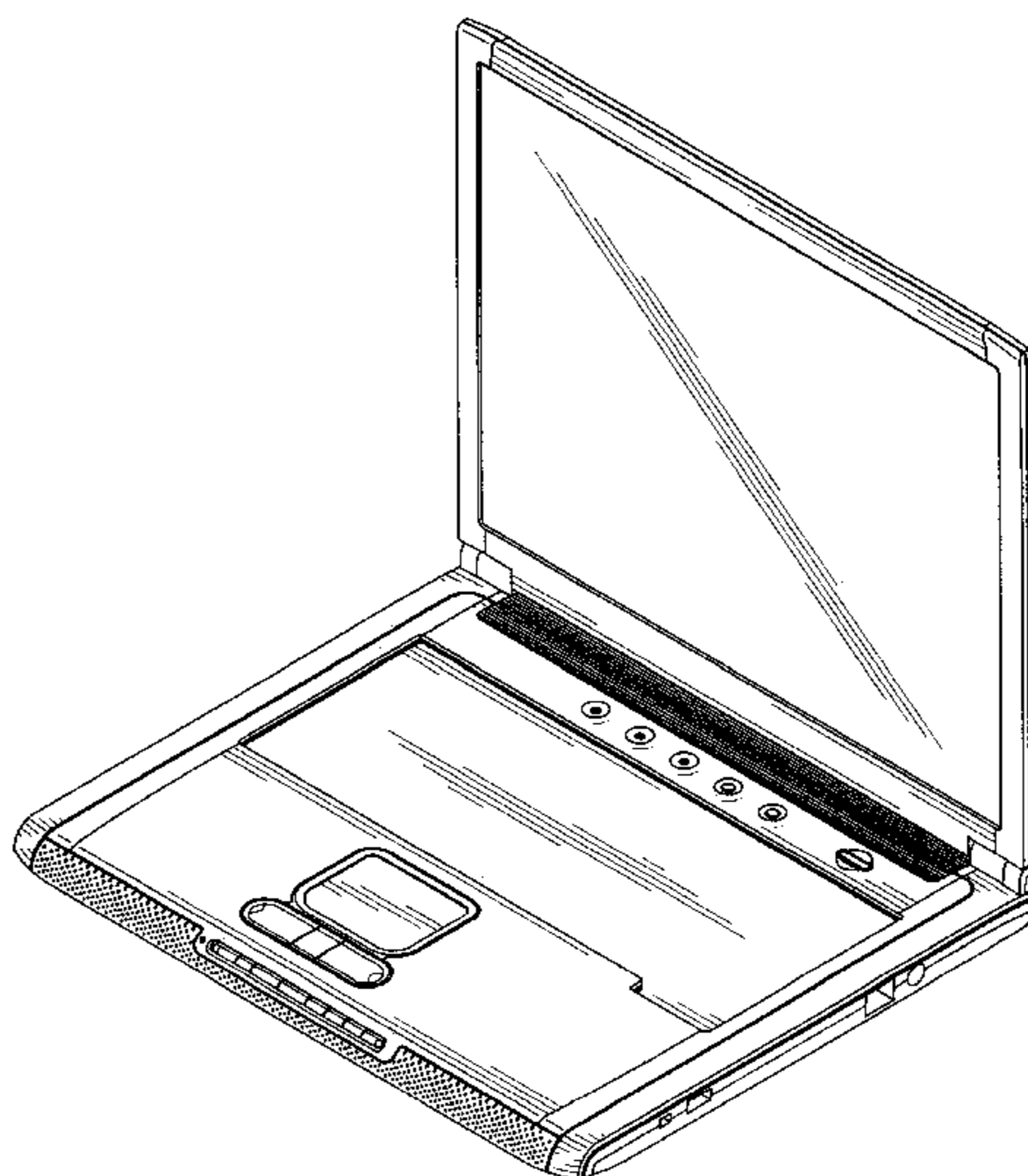
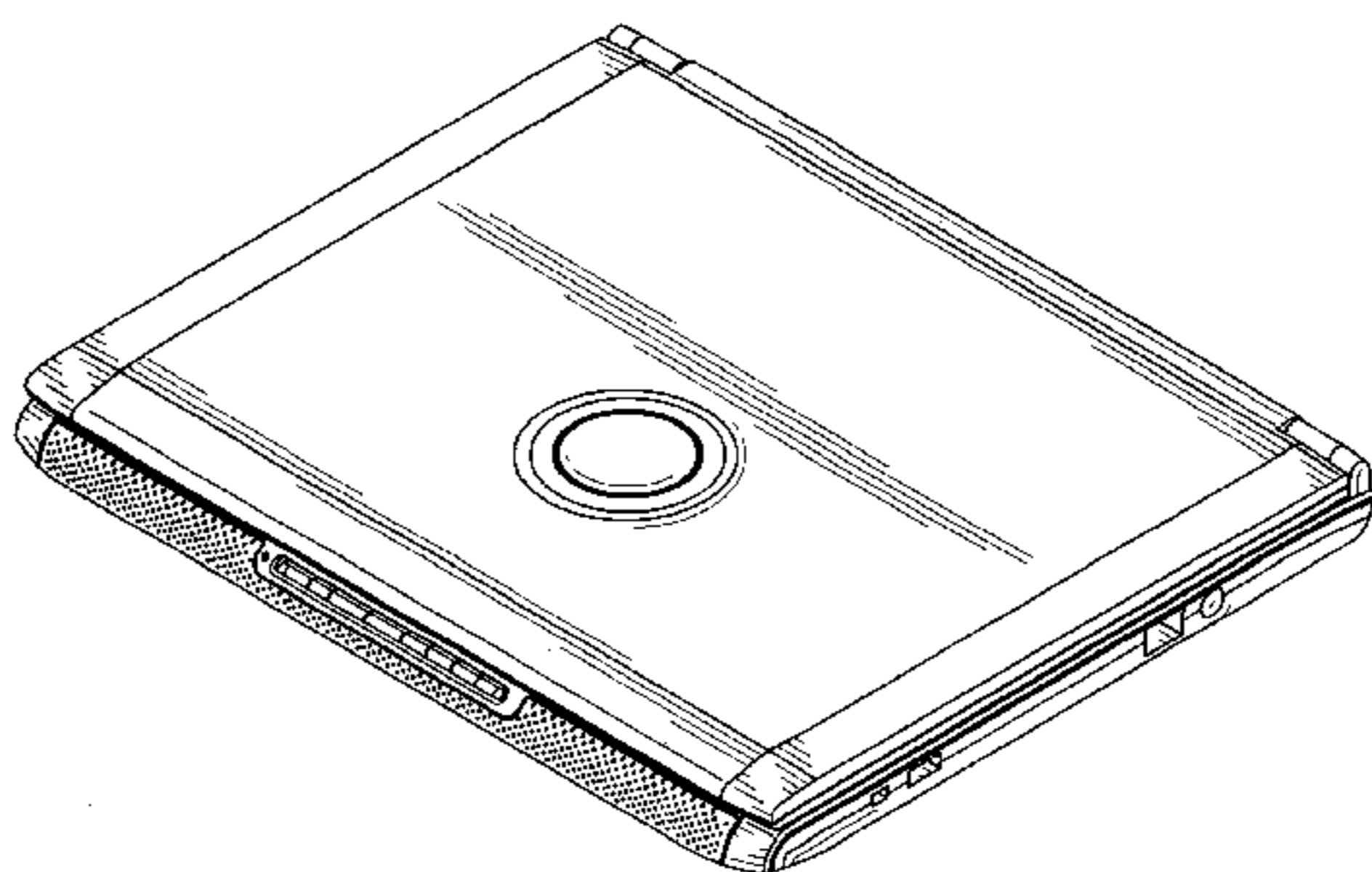
(57) **CLAIM**

The ornamental design for a notebook computer, as shown and described.

**DESCRIPTION**

FIG. 1 is a perspective view of a notebook computer of my new design;  
FIG. 2 is a front elevational view thereof;  
FIG. 3 is a rear elevational view thereof;  
FIG. 4 is a left side elevational view thereof;  
FIG. 5 is a right side elevational view thereof;  
FIG. 6 is a top plan view thereof;  
FIG. 7 is a bottom plan view thereof; and,  
FIG. 8 is similar to FIG. 1 with the notebook computer in an open state.

**1 Claim, 6 Drawing Sheets**



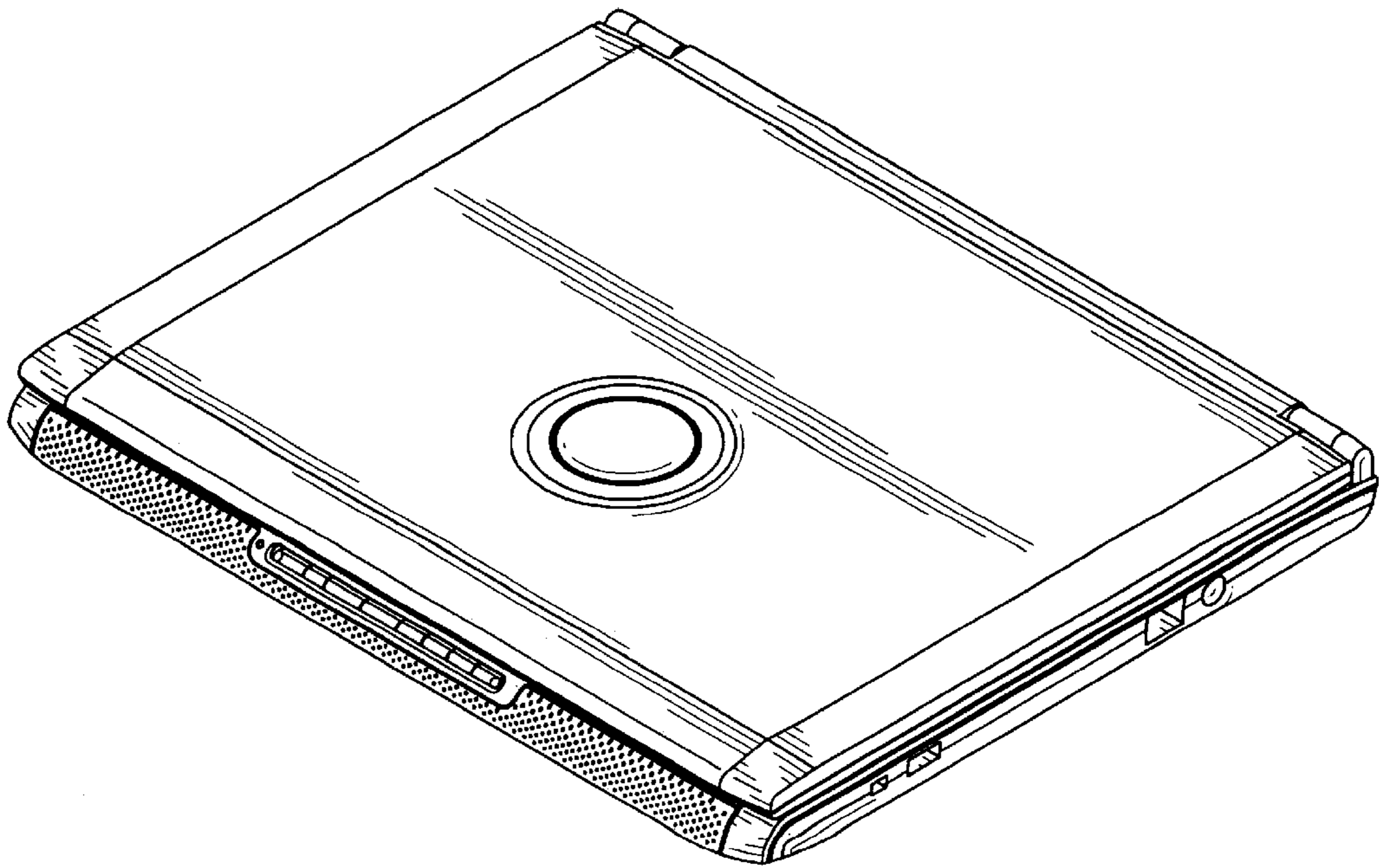


FIG. 1



FIG. 2

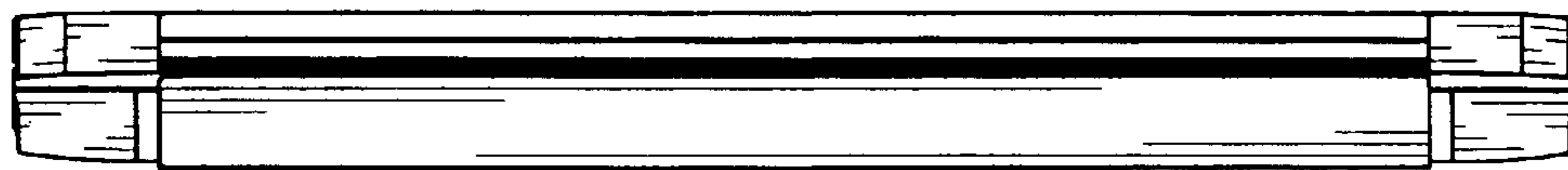


FIG. 3

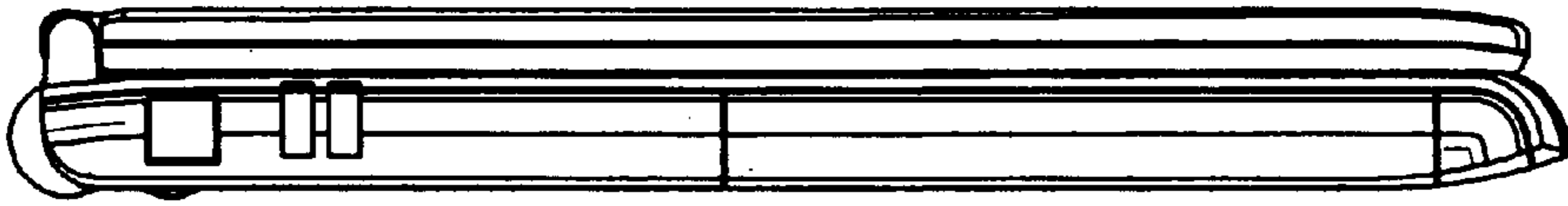


FIG. 4

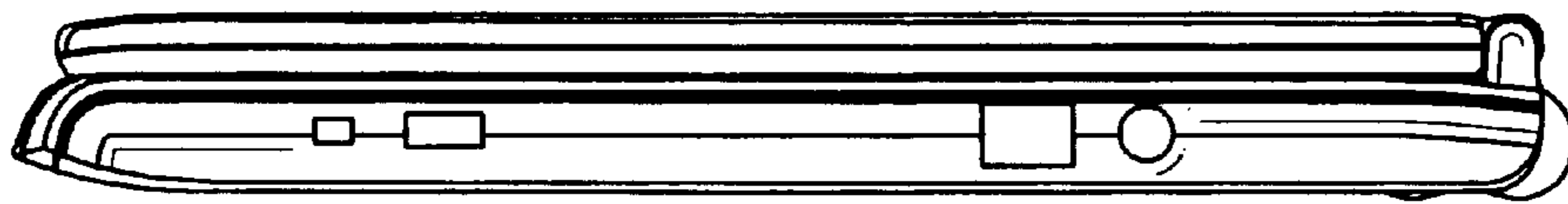


FIG. 5

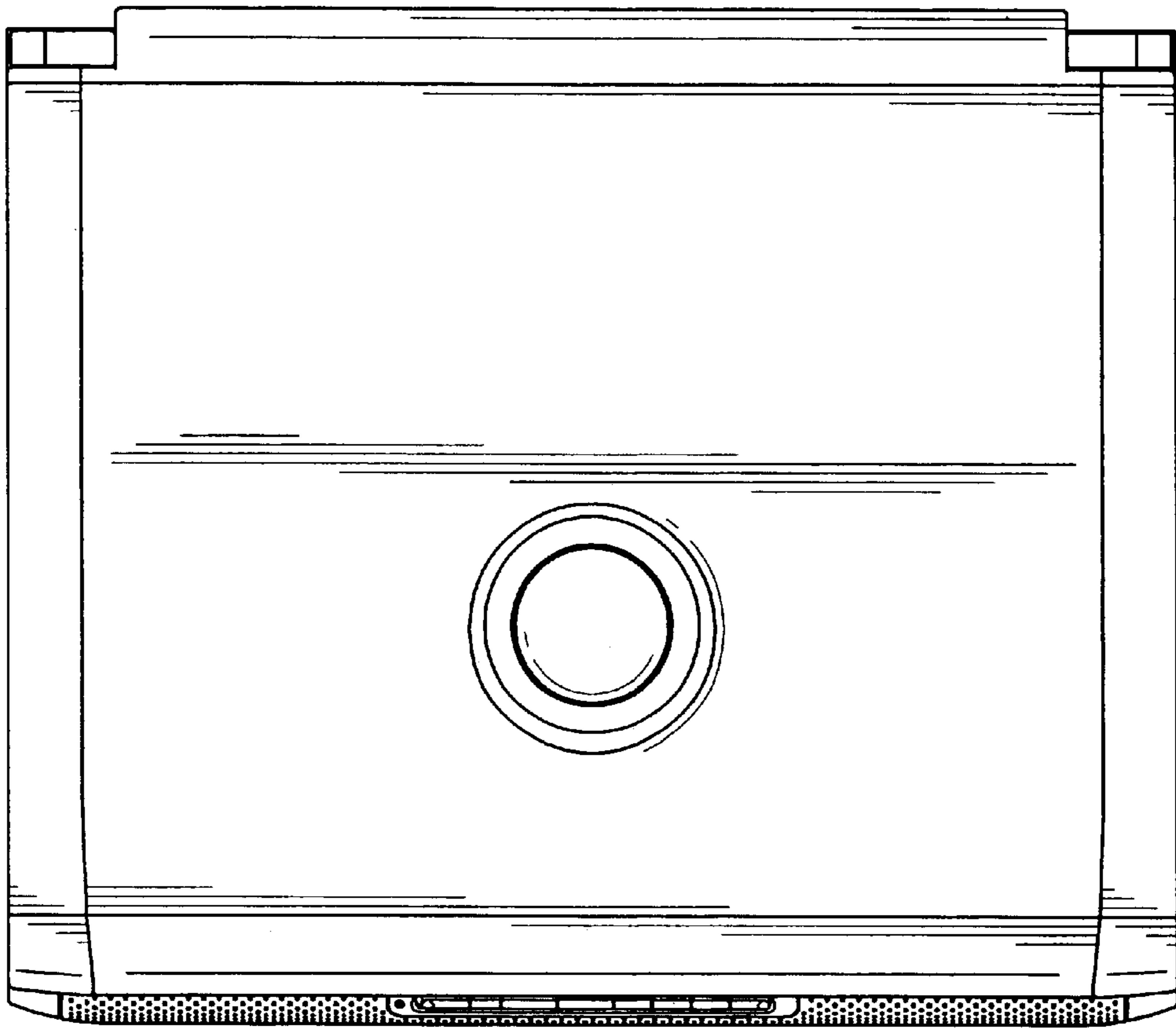


FIG. 6

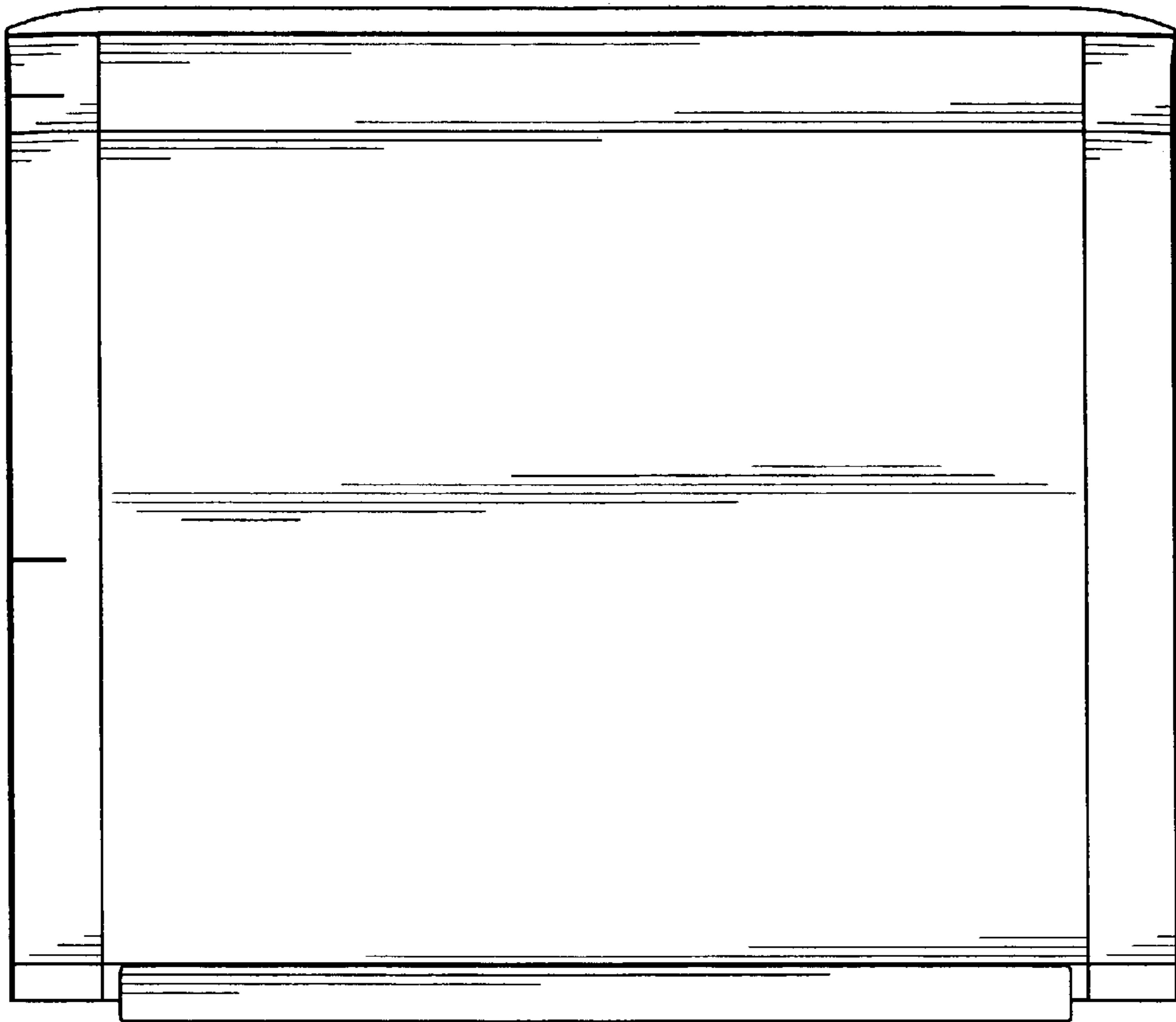


FIG. 7

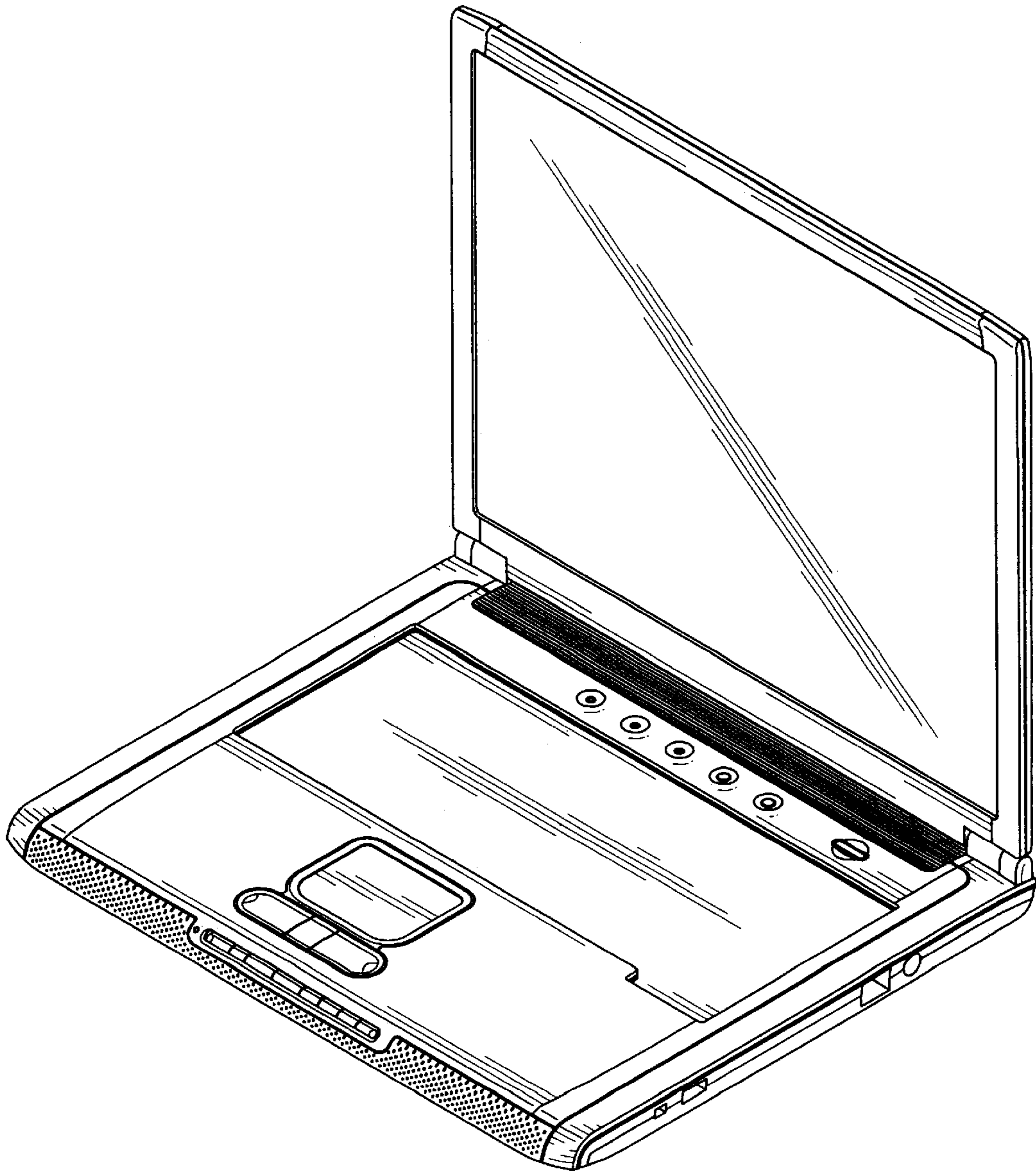


FIG. 8