



US00D489365S

(12) **United States Design Patent**
Shimamura et al.

(10) **Patent No.: US D489,365 S**

(45) **Date of Patent: ** May 4, 2004**

(54) **SUB-DISPLAY AND FUNCTION KEYS UNIT FOR A PORTABLE WIRELESS TELEPHONE**

(75) Inventors: **Masaki Shimamura**, Tokyo (JP);
Yoshiki Miyazawa, Tokyo (JP);
Hiromu Kitamura, Tokyo (JP);
Masakatsu Takizawa, Tokyo (JP)

(73) Assignee: **NEC Corporation**, Tokyo (JP)

(**) Term: **14 Years**

(21) Appl. No.: **29/178,235**

(22) Filed: **Mar. 25, 2003**

(30) **Foreign Application Priority Data**

Sep. 26, 2002 (JP) 2002-026395

(51) **LOC (7) Cl. 14-03**

(52) **U.S. Cl. D14/248**

(58) **Field of Search** D14/137, 138,
D14/218, 147-148, 247-249, 144, 455,
456, 341-347, 338-340, 399, 426, 387,
429, 453, 257; 379/433.01-433.13, 434,
419, 420.01-420.04, 428.01-428.02, 440,
368-370; 455/550.1-90.3; D13/168; D18/2,
7; 345/168, 169

(56) **References Cited**

U.S. PATENT DOCUMENTS

6,230,028 B1 * 5/2001 Shirakawa 455/566
D445,411 S * 7/2001 Kim et al. D14/138
D445,412 S * 7/2001 Lee et al. D14/138
D447,128 S * 8/2001 Lee et al. D14/138
D447,741 S * 9/2001 Lee et al. D14/138
D451,485 S * 12/2001 Moss D14/138
D455,135 S * 4/2002 Hyun D14/138
D455,414 S * 4/2002 Lee et al. D14/138
D458,594 S * 6/2002 Jang D14/138
D464,032 S * 10/2002 Hayasaka et al. D14/138
D465,466 S * 11/2002 Hyun D14/138

D465,467 S * 11/2002 Nagai et al. D14/138
D468,282 S * 1/2003 Chen D14/138
D468,283 S * 1/2003 Hong et al. D14/138
D468,713 S * 1/2003 Lee et al. D14/138
D469,070 S * 1/2003 Lee D14/138
D475,688 S * 6/2003 Pierce et al. D14/138
D475,689 S * 6/2003 Shimazu et al. D14/138
D476,635 S * 7/2003 Nagai et al. D14/138
D477,296 S * 7/2003 Minamide D14/138
D477,581 S * 7/2003 Iijima et al. D14/138
2002/0146989 A1 * 10/2002 Moriki 455/90
2003/0030624 A1 * 2/2003 Aoyama 345/168
2003/0096582 A1 * 5/2003 Kim 455/90

FOREIGN PATENT DOCUMENTS

GB 2343324 A * 5/2000 H04M/1/02
JP 1158252 * 11/2002

* cited by examiner

Primary Examiner—Jeffrey Asch

(74) *Attorney, Agent, or Firm*—Sughrue Mion, PLLC

(57) **CLAIM**

The ornamental design for a sub-display and function keys unit for a portable wireless telephone, as shown and described.

DESCRIPTION

FIG. 1 is a perspective view of the top, front and right side of a sub-display and function keys unit for a portable wireless telephone showing our new design;
FIG. 2 is a front elevational view thereof;
FIG. 3 is a rear elevational view thereof;
FIG. 4 is a left side elevational view thereof;
FIG. 5 is a right side elevational view thereof;
FIG. 6 is a top plan view thereof; and,
FIG. 7 is a bottom plan view thereof.

The components shown in broken lines do not form any part of the claimed invention.

1 Claim, 5 Drawing Sheets

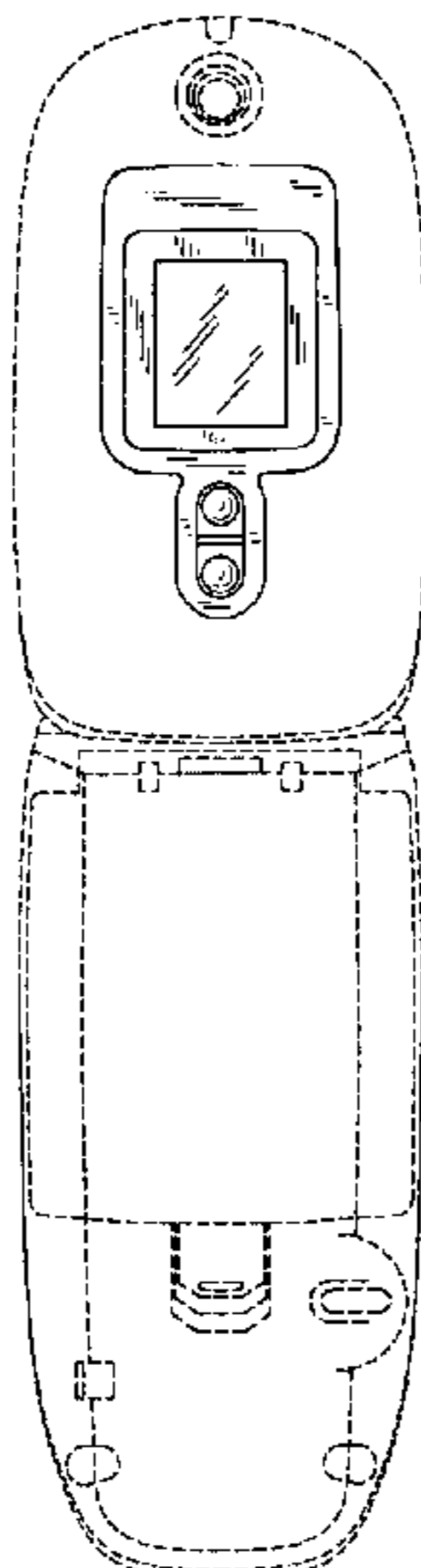


FIG. 1

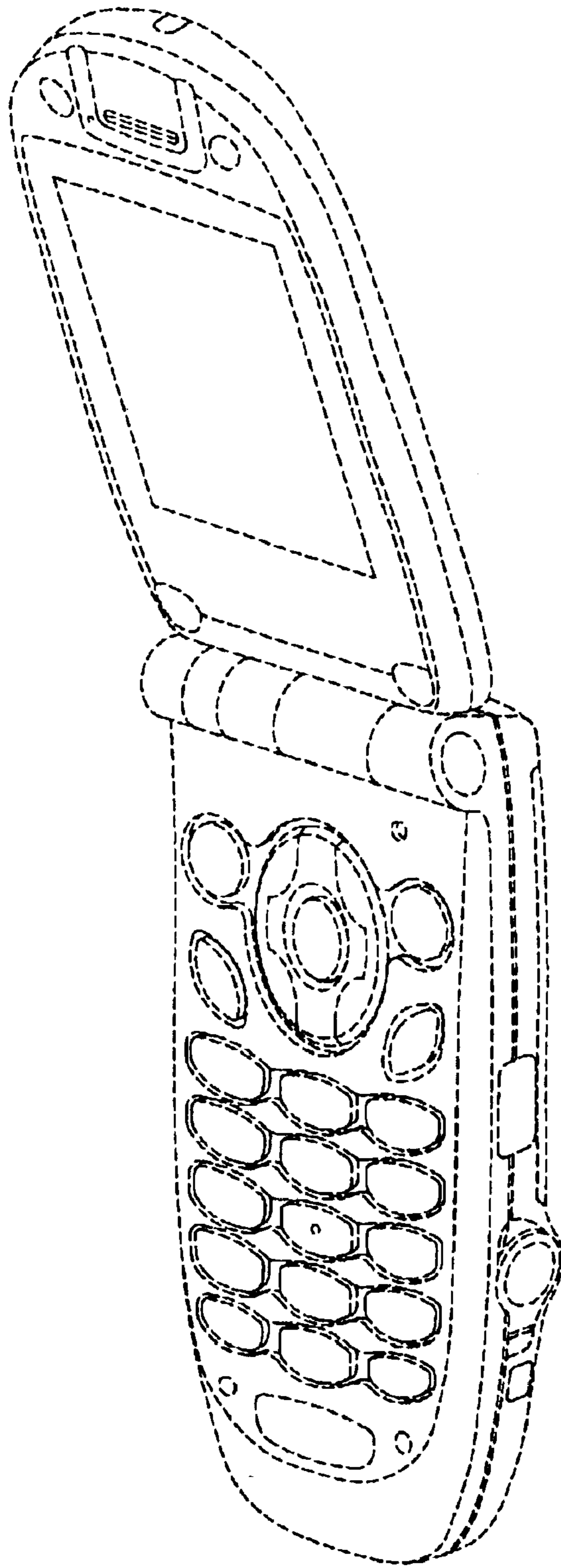


FIG. 2

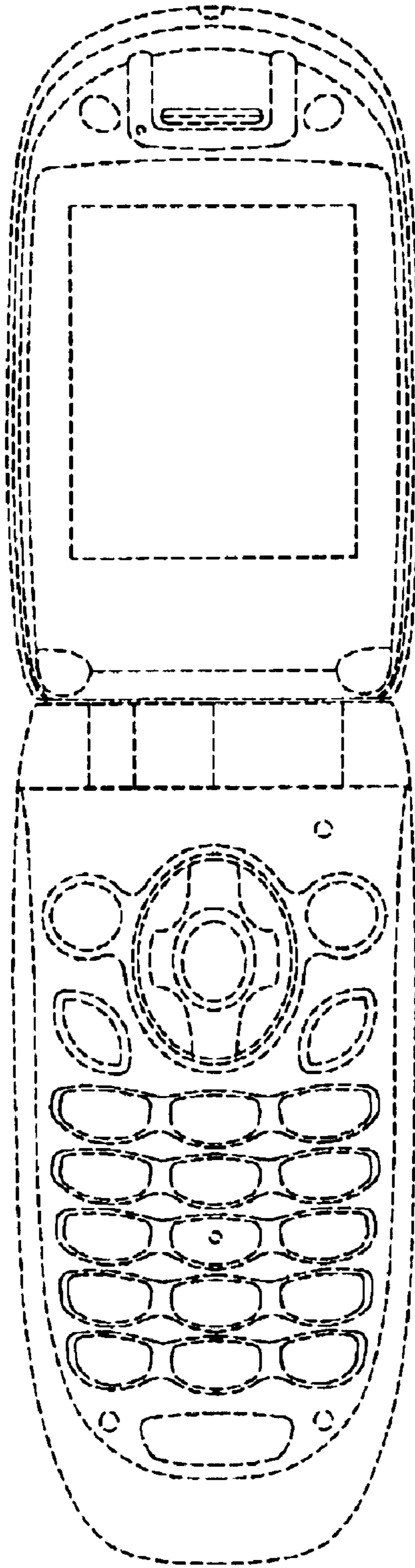


FIG. 3

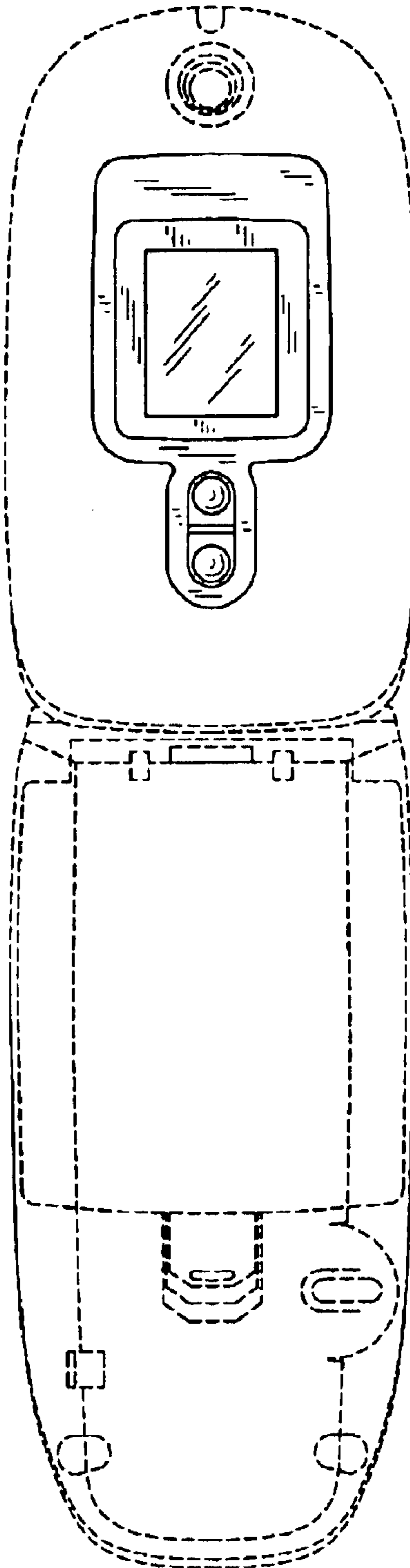


FIG. 4

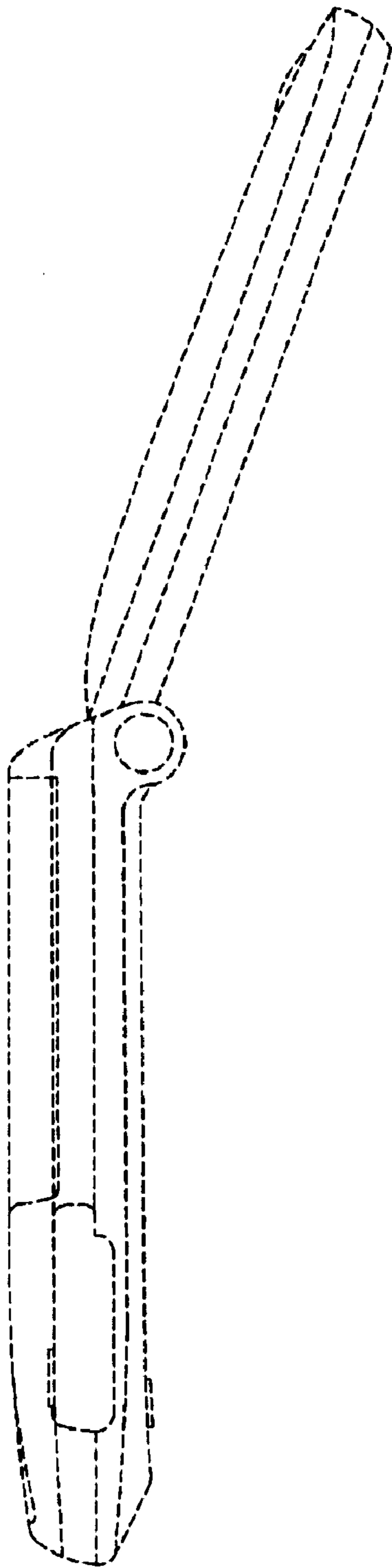


FIG. 5

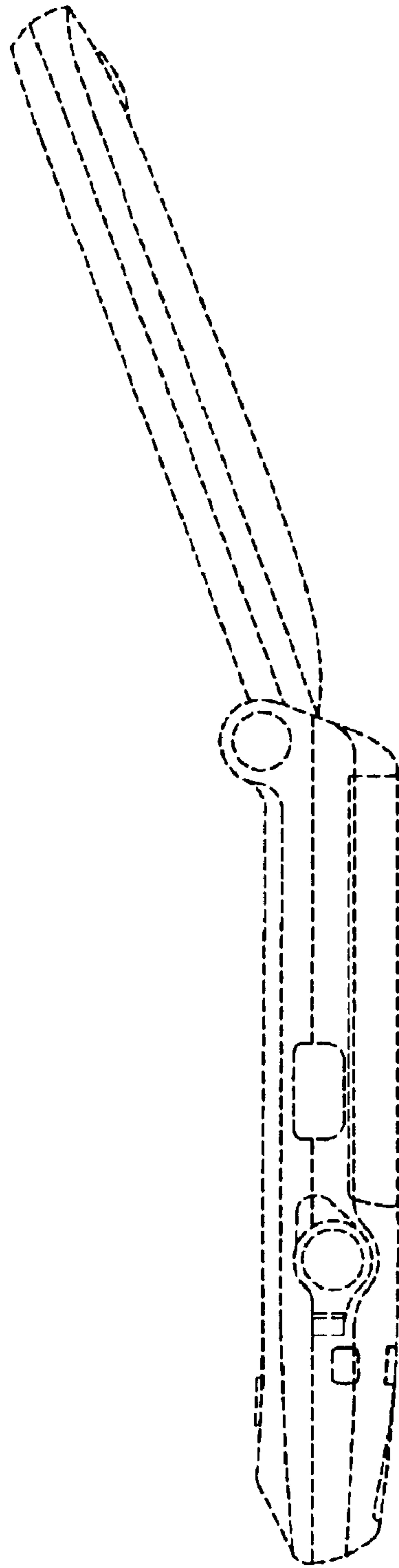


FIG. 6

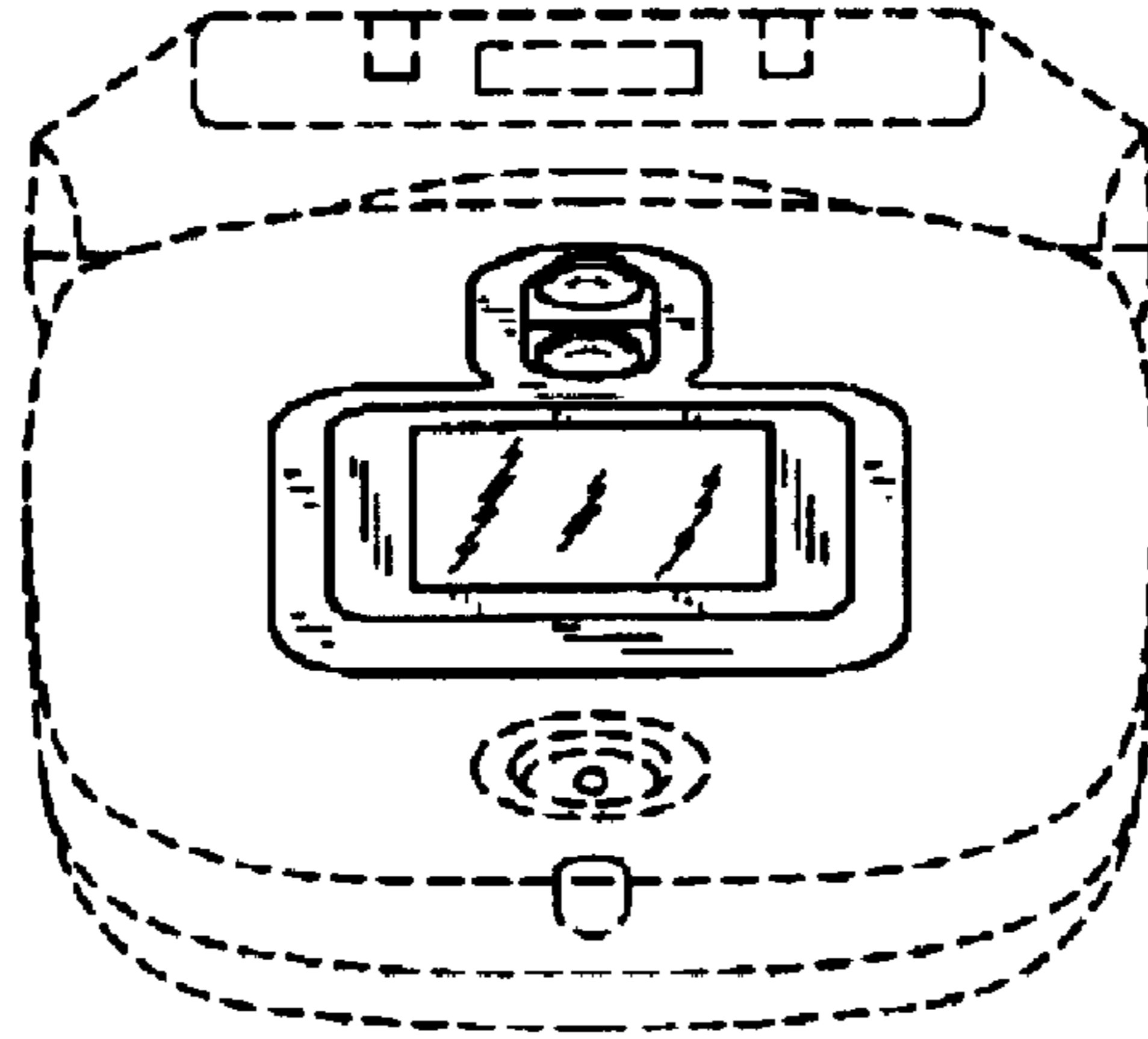


FIG. 7

