



US00D489363S

(12) **United States Design Patent** (10) **Patent No.:** **US D489,363 S**  
**Shimamura et al.** (45) **Date of Patent:** **\*\* May 4, 2004**

(54) **FUNCTION KEYS FOR A PORTABLE WIRELESS TELEPHONE**

(75) Inventors: **Masaki Shimamura**, Tokyo (JP);  
**Yoshiki Miyazawa**, Tokyo (JP);  
**Hiromu Kitamura**, Tokyo (JP);  
**Masakatsu Takizawa**, Tokyo (JP)

(73) Assignee: **NEC Corporation**, Tokyo (JP)

(\*\*) Term: **14 Years**

(21) Appl. No.: **29/178,234**

(22) Filed: **Mar. 25, 2003**

(30) **Foreign Application Priority Data**

Sep. 26, 2002 (JP) ..... 2002-026394

(51) **LOC (7) Cl.** ..... **14-03**

(52) **U.S. Cl.** ..... **D14/247**

(58) **Field of Search** ..... D14/137, 138,  
D14/218, 147-148, 247-249, 144, 455,  
456, 341-347, 338-340, 399, 426, 387,  
429, 453, 257; 379/433.01-433.13, 434,  
419, 420.01-420.04, 428.01-428.02, 440,  
368-370; 455/550.1-90.3; D13/168; D18/2,  
7; 345/168, 169

(56) **References Cited**

**U.S. PATENT DOCUMENTS**

D414,776 S	*	10/1999	Shintani et al.	.....	D14/265
D445,101 S	*	7/2001	Lee et al.	.....	D14/138
D445,410 S	*	7/2001	Yoo et al.	.....	D14/138
D445,411 S	*	7/2001	Kim et al.	.....	D14/138
D445,412 S	*	7/2001	Lee et al.	.....	D14/138
D445,771 S	*	7/2001	Kim	.....	D14/138
D447,128 S	*	8/2001	Lee et al.	.....	D14/138

D447,741 S	*	9/2001	Lee et al.	.....	D14/138
D449,284 S	*	10/2001	Kim et al.	.....	D14/138
D456,378 S	*	4/2002	Fujimoto	.....	D14/138
D459,329 S	*	6/2002	Suzuki et al.	.....	D14/138
D463,394 S	*	9/2002	Sogabe	.....	D14/168
D468,279 S	*	1/2003	Kim et al.	.....	D14/138
D468,713 S	*	1/2003	Lee et al.	.....	D14/138
D473,550 S	*	4/2003	Ribeiro et al.	.....	D14/247
D476,303 S	*	6/2003	Lee et al.	.....	D14/138
D476,635 S	*	7/2003	Nagai et al.	.....	D14/138
D477,294 S	*	7/2003	Ikeda et al.	.....	D14/138
D477,296 S	*	7/2003	Minamide	.....	D14/138
D477,581 S	*	7/2003	Iijima et al.	.....	D14/138
D481,381 S	*	10/2003	Toor et al.	.....	D14/247
2002/0123368 A1	*	9/2002	Yamadera et al.	.....	455/556
2003/0096582 A1	*	5/2003	Kim	.....	455/90

\* cited by examiner

*Primary Examiner*—Jeffrey Asch

(74) *Attorney, Agent, or Firm*—Sughrue Mion, PLLC

(57) **CLAIM**

The ornamental design for function keys for a portable wireless telephone, as shown and described.

**DESCRIPTION**

FIG. 1 is a perspective view of the top, front and right side of function keys for a portable wireless telephone showing our new design;

FIG. 2 is a front elevational view thereof;

FIG. 3 is a rear elevational view thereof;

FIG. 4 is a left side elevational view thereof;

FIG. 5 is a right side elevational view thereof;

FIG. 6 is a top plan view thereof; and,

FIG. 7 is a bottom plan view thereof.

The components shown in broken lines do not form any part of the claimed invention.

**1 Claim, 5 Drawing Sheets**

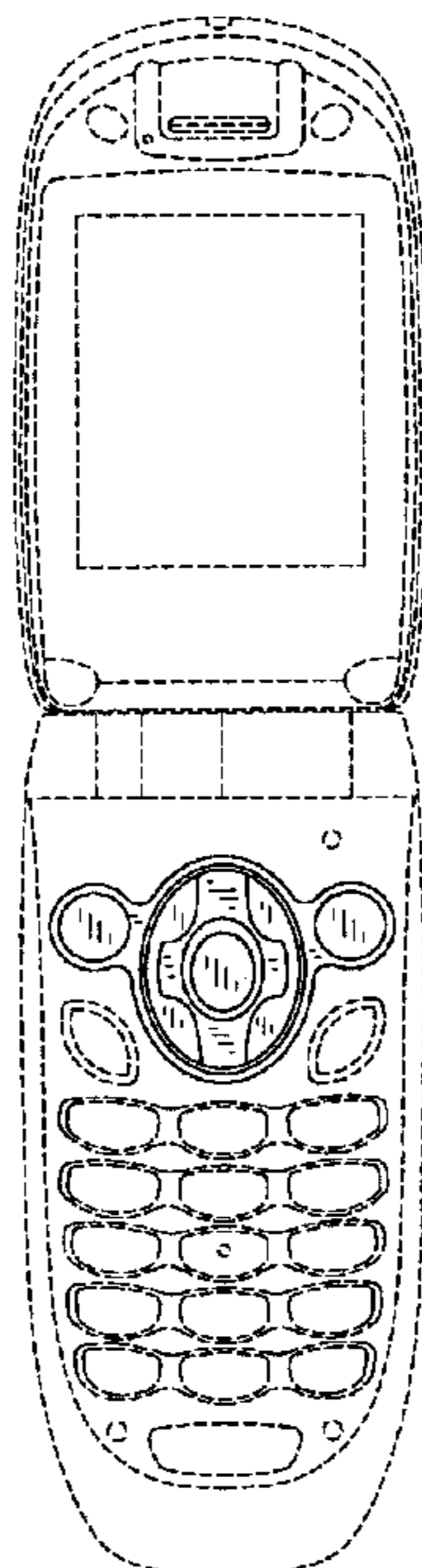


FIG. 1

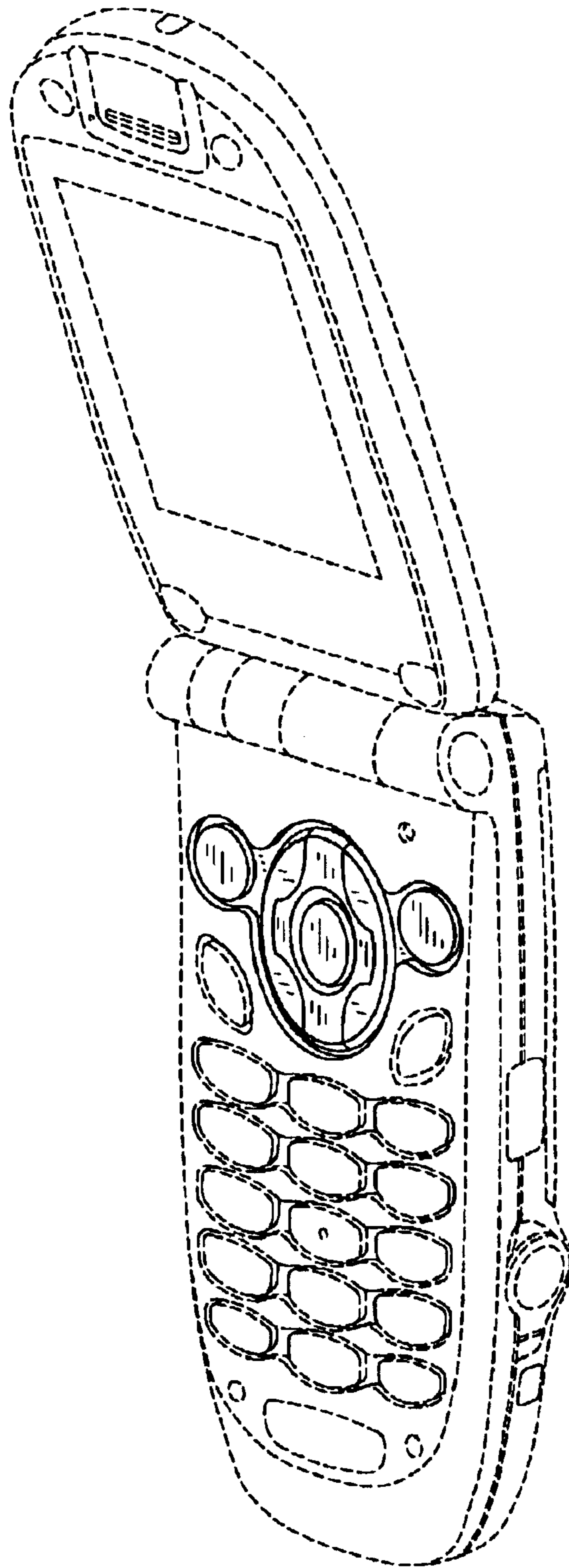


FIG. 2

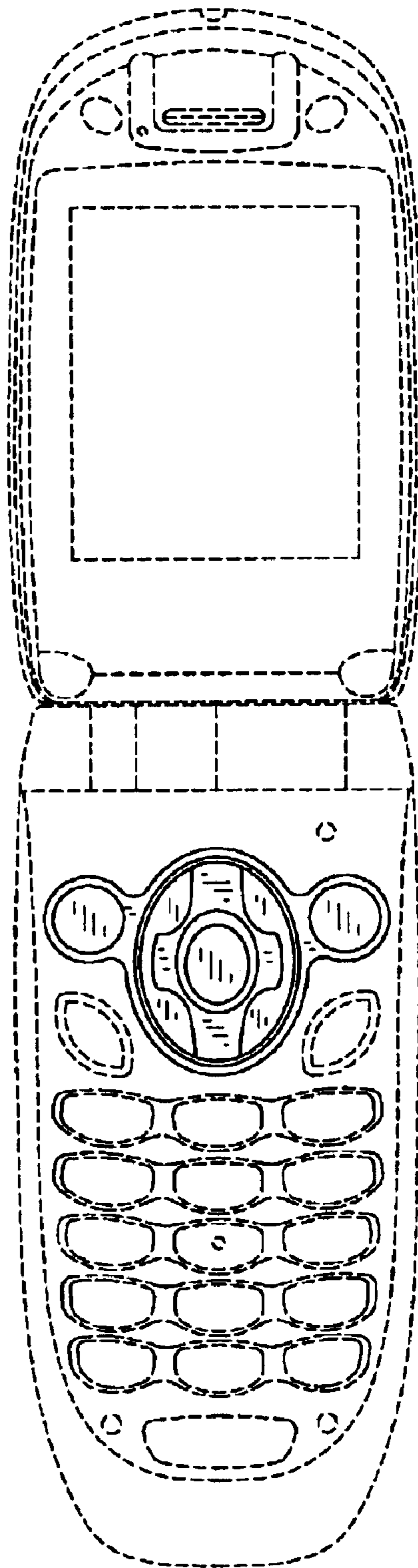


FIG. 3

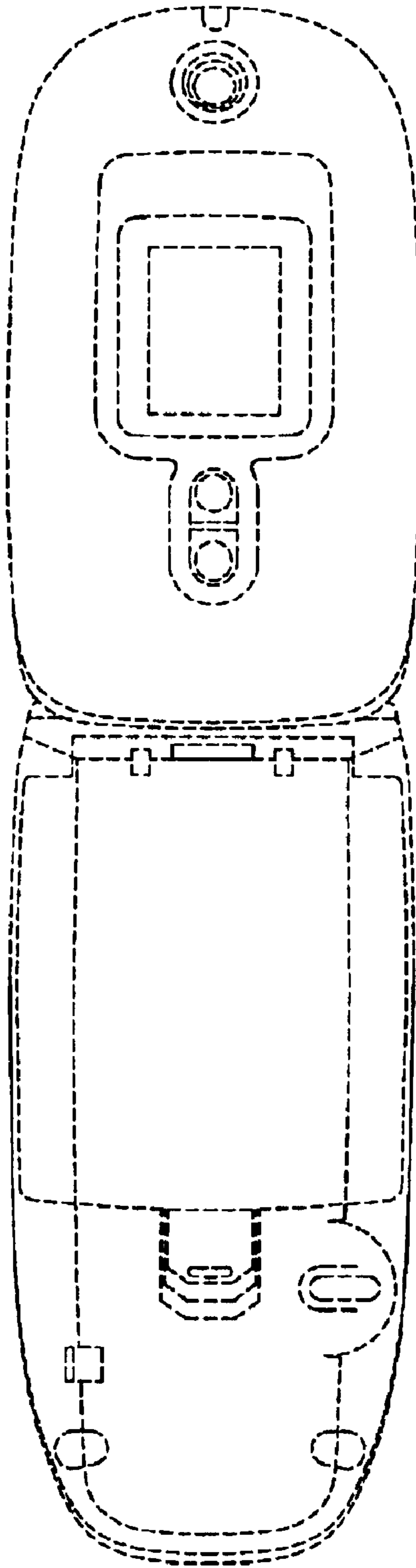


FIG. 4

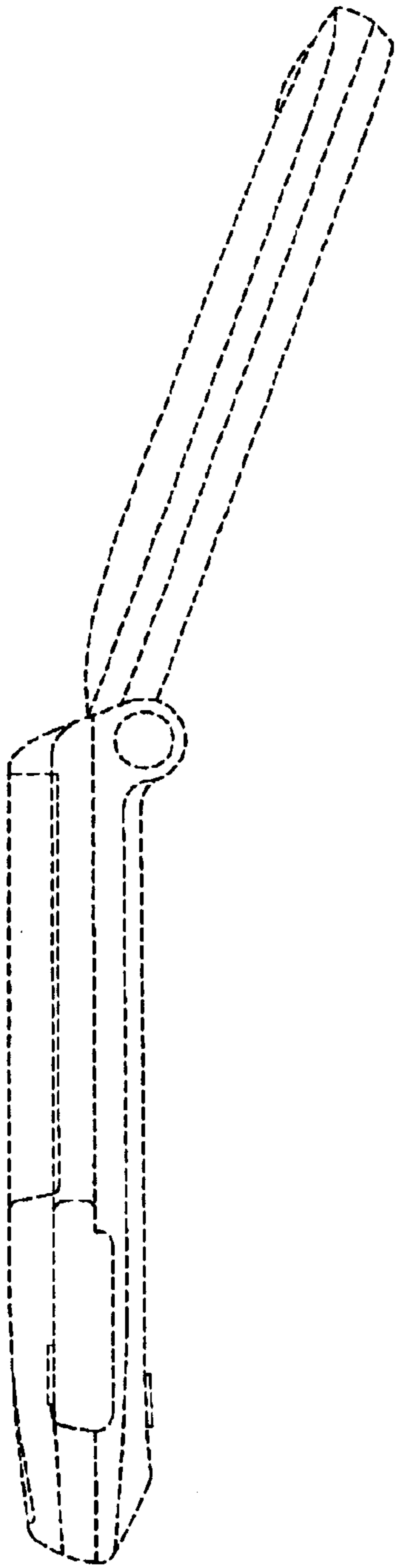


FIG. 5

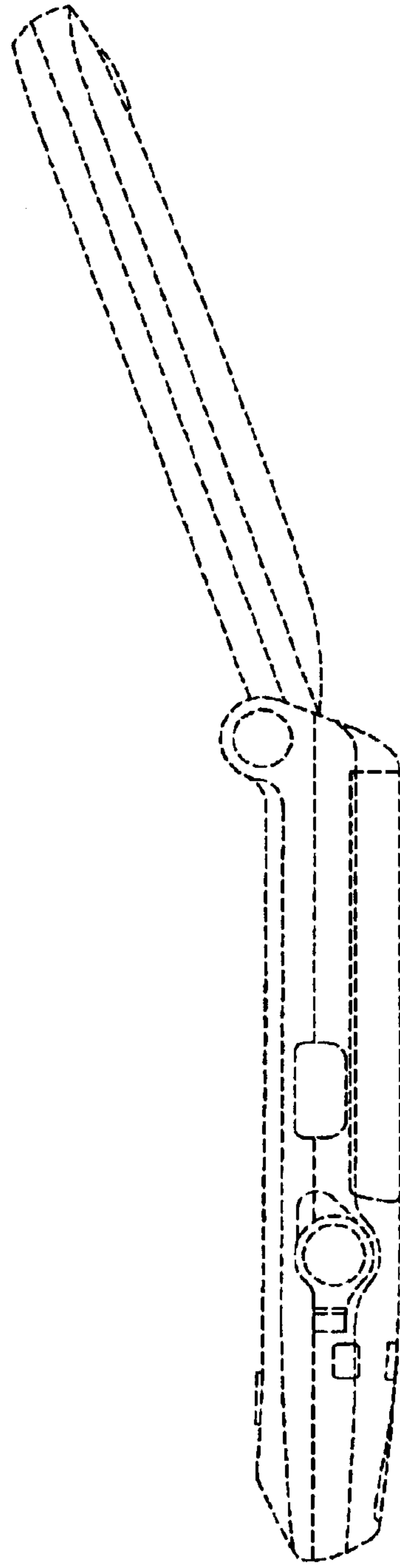


FIG. 6

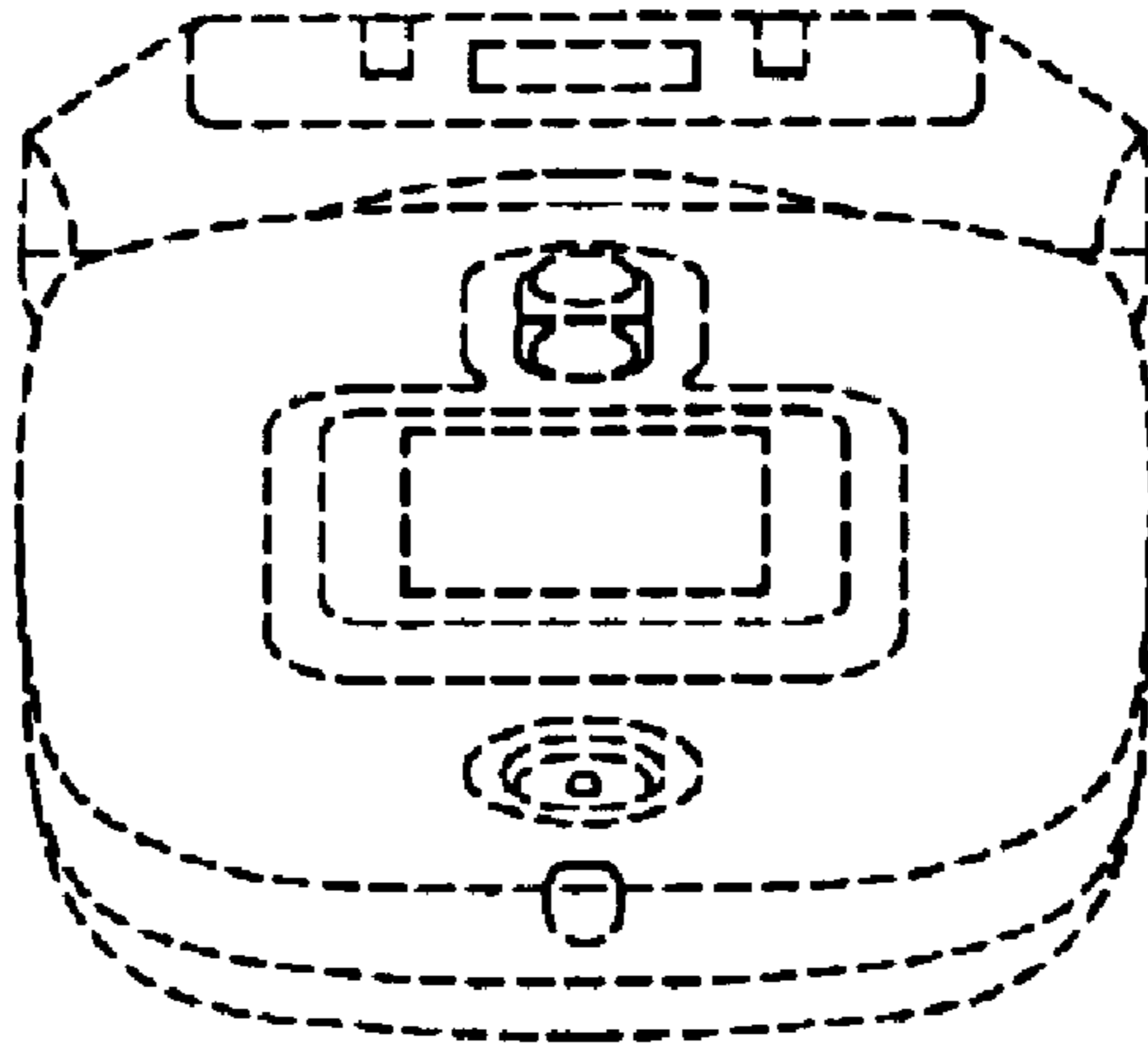


FIG. 7

