



US00D489362S

(12) **United States Design Patent**
Shimamura et al.

(10) **Patent No.:** **US D489,362 S**

(45) **Date of Patent:** **** May 4, 2004**

(54) **KEYPAD FOR A PORTABLE WIRELESS TELEPHONE**

(75) Inventors: **Masaki Shimamura**, Tokyo (JP);
Yoshiki Miyazawa, Tokyo (JP);
Hiromu Kitamura, Tokyo (JP);
Masakatsu Takizawa, Tokyo (JP)

(73) Assignee: **NEC Corporation**, Tokyo (JP)

(**) Term: **14 Years**

(21) Appl. No.: **29/178,232**

(22) Filed: **Mar. 25, 2003**

(30) **Foreign Application Priority Data**

Sep. 26, 2002 (JP) 2002-026393

(51) **LOC (7) Cl.** **14-03**

(52) **U.S. Cl.** **D14/247**

(58) **Field of Search** D14/137, 138,
D14/218, 147-148, 247-249, 144, 455,
456, 341-347, 338-340, 399, 426, 387,
429, 453, 257; 379/433.01-433.13, 434,
419, 420.01-420.04, 428.01-428.02, 440,
368-370; 455/550.1-90.3; D13/168; D18/2,
7; 345/168, 169

(56) **References Cited**

U.S. PATENT DOCUMENTS

D413,896 S	*	9/1999	Frye et al.	D14/247
D414,776 S	*	10/1999	Shintani et al.	D14/265
D416,024 S	*	11/1999	Johansson et al.	D14/247
D416,255 S	*	11/1999	Johansson et al.	D14/144
D421,992 S	*	3/2000	Phillips et al.	D14/247
D441,357 S	*	5/2001	Kolinen	D14/247
D445,101 S	*	7/2001	Lee et al.	D14/138
D445,410 S	*	7/2001	Yoo et al.	D14/138
D445,411 S	*	7/2001	Kim et al.	D14/138
D445,412 S	*	7/2001	Lee et al.	D14/138
D445,413 S	*	7/2001	Yano	D14/138
D445,771 S	*	7/2001	Kim	D14/138
D447,128 S	*	8/2001	Lee et al.	D14/138

D447,474 S	*	9/2001	Gartrell et al.	D14/247
D447,741 S	*	9/2001	Lee et al.	D14/138
D449,284 S	*	10/2001	Kim et al.	D14/138
D454,866 S	*	3/2002	Salmi et al.	D14/247
D456,378 S	*	4/2002	Fujimoto	D14/138
D457,520 S	*	5/2002	Laverick et al.	D14/247
D458,921 S	*	6/2002	Vuolteenaho et al.	D14/247
D459,329 S	*	6/2002	Suzuki et al.	D14/138
D463,394 S	*	9/2002	Sogabe	D14/168
D468,279 S	*	1/2003	Kim et al.	D14/138
D468,713 S	*	1/2003	Lee et al.	D14/138
D473,550 S	*	4/2003	Ribeiro et al.	D14/247
D476,303 S	*	6/2003	Lee et al.	D14/138
D476,635 S	*	7/2003	Nagai et al.	D14/138
D477,294 S	*	7/2003	Ikeda et al.	D14/138
D477,296 S	*	7/2003	Minamide	D14/138
D477,581 S	*	7/2003	Iijima et al.	D14/138
D481,381 S	*	10/2003	Toor et al.	D14/247
2002/0123368 A1	*	9/2002	Yamadera et al.	455/556
2002/0187818 A1	*	12/2002	Kang	455/575
2003/0096582 A1	*	5/2003	Kim	455/90

* cited by examiner

Primary Examiner—Jeffrey Asch

(74) *Attorney, Agent, or Firm*—Sughrue Mion, PLLC

(57) **CLAIM**

The ornamental design for a keypad for a portable wireless telephone, as shown and described.

DESCRIPTION

FIG. 1 is a perspective view of the top, front and right side of a keypad for a portable wireless telephone showing our new design;

FIG. 2 is a front elevational view thereof;

FIG. 3 is a rear elevational view thereof;

FIG. 4 is a left side elevational view thereof;

FIG. 5 is a right side elevational view thereof;

FIG. 6 is a top plan view thereof; and,

FIG. 7 is a bottom plan view thereof.

The components shown in broken lines do not form any part of the claimed invention.

1 Claim, 5 Drawing Sheets

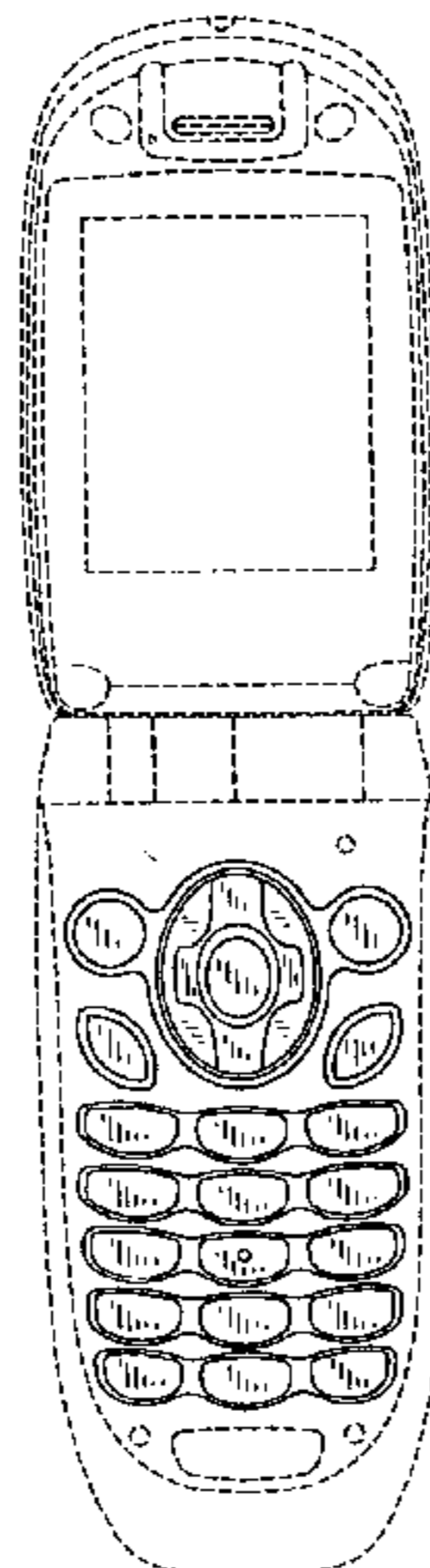


FIG. 1

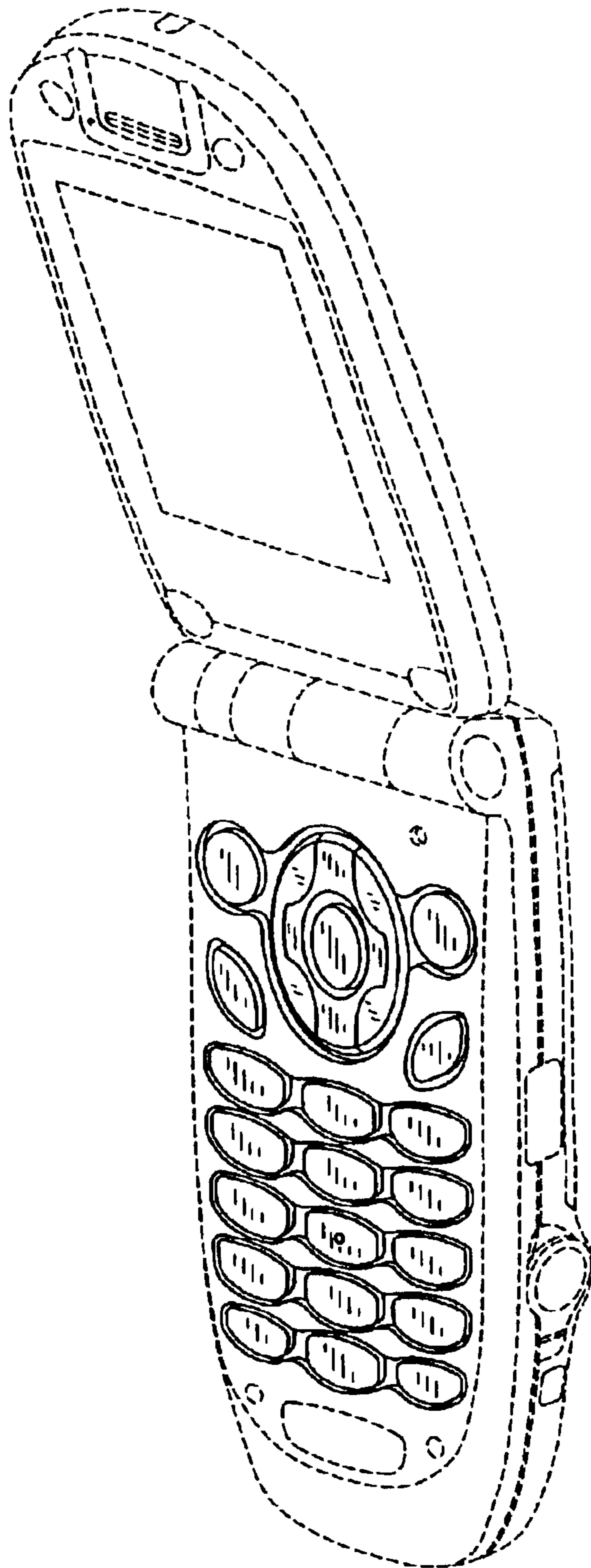


FIG. 2

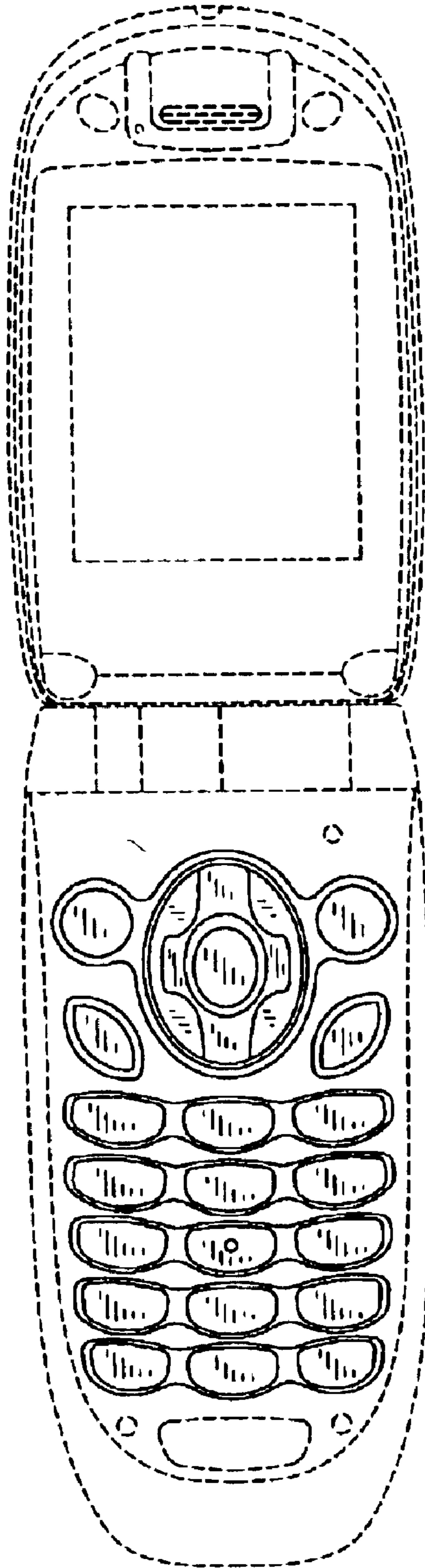


FIG. 3

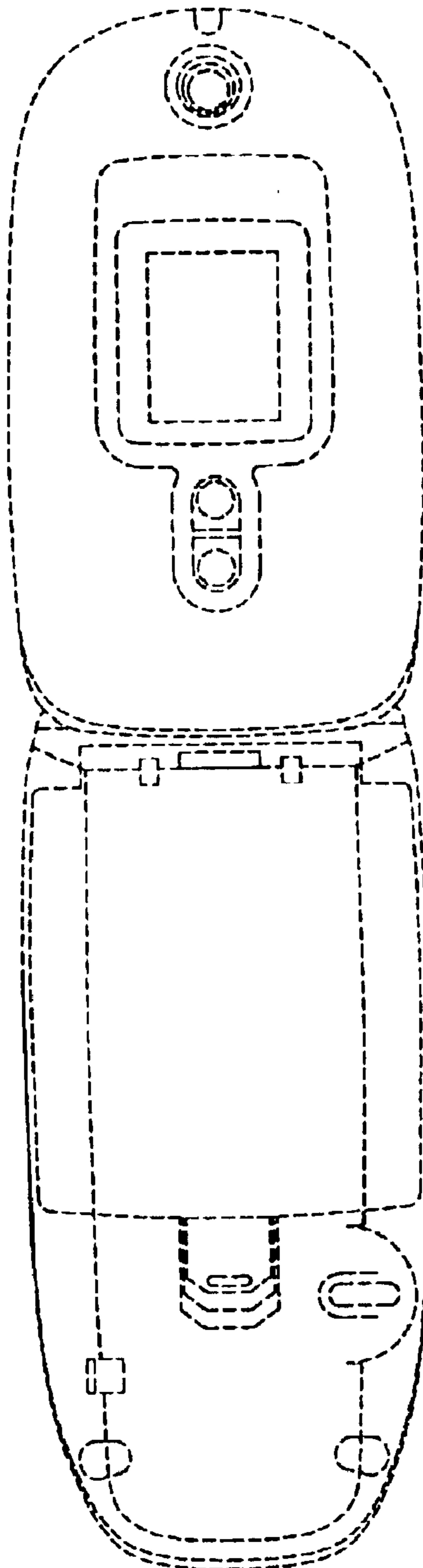


FIG. 4

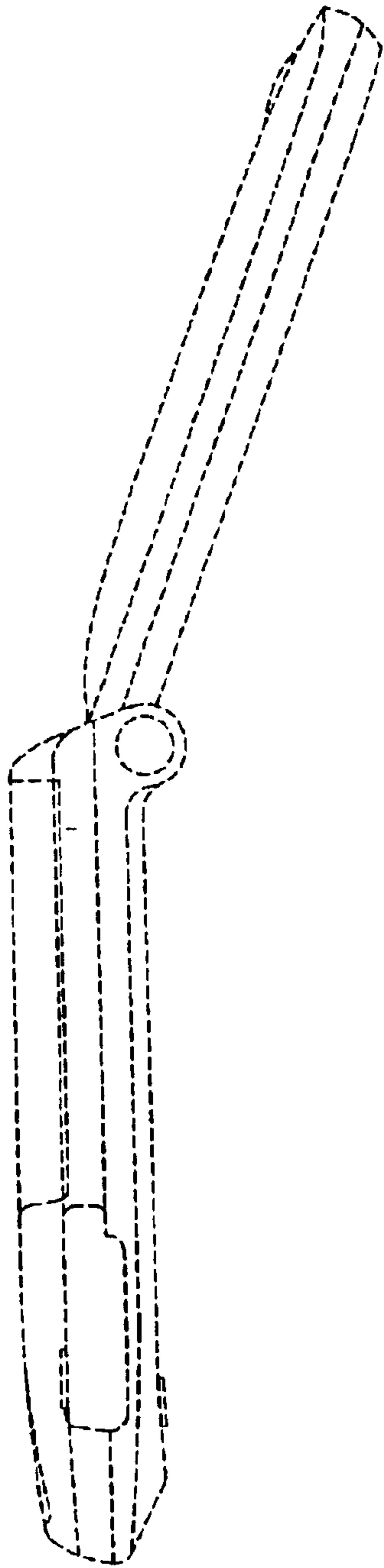


FIG. 5

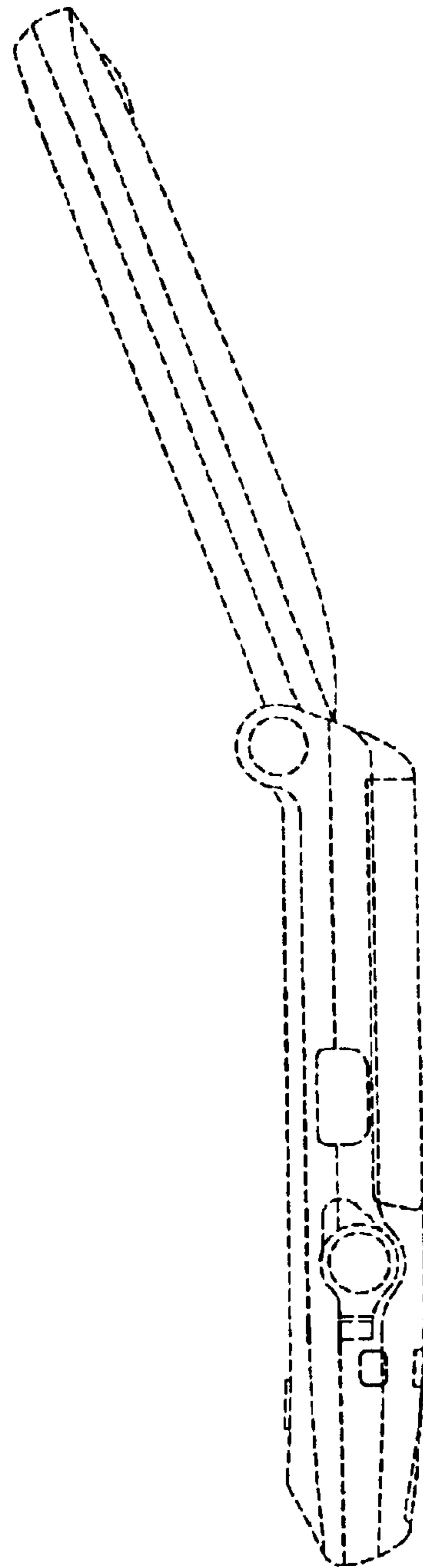


FIG. 6

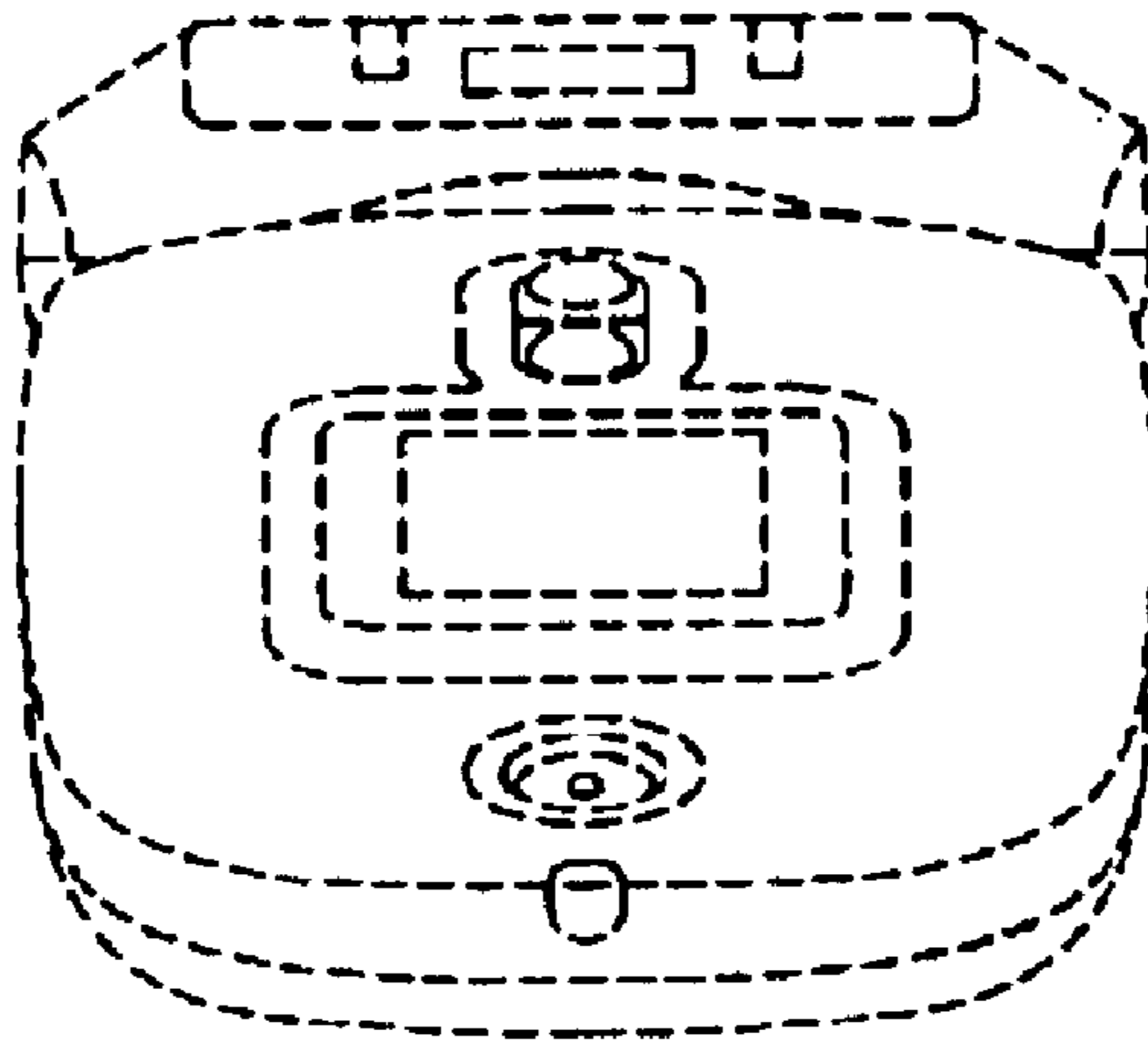


FIG. 7

