



US00D489358S

(12) **United States Design Patent**
Chen

(10) **Patent No.:** **US D489,358 S**

(45) **Date of Patent:** **** May 4, 2004**

(54) **ARC-SHAPED LOUDSPEAKER HOUSING**

D440,220 S * 4/2001 Dunk et al. D14/211
D452,854 S * 1/2002 Silverstein et al. D14/214

(75) Inventor: **Lung-Tan Chen**, Taichung (TW)

* cited by examiner

(73) Assignee: **Penton Communications, Inc.**,
Taichung (TW)

Primary Examiner—Nanda Bondade

(**) Term: **14 Years**

(57) **CLAIM**

(21) Appl. No.: **29/162,798**

The ornamental design for an arc-shaped loudspeaker housing, as shown and described.

(22) Filed: **Jun. 20, 2002**

DESCRIPTION

(51) **LOC (7) Cl.** **14-01**

FIG. 1 is a perspective view of my new design;
FIG. 2 is a left side elevational view of my new design;
FIG. 3 is a right side elevational view of my new design;
FIG. 4 is a front elevational view of my new design;
FIG. 5 is a rear elevational view of my new design;
FIG. 6 is a top plan view of my new design;
FIG. 7 is a bottom plan view of my new design; and,
FIG. 8 is a perspective view showing the embodiment with a protective net.

(52) **U.S. Cl.** **D14/215**

(58) **Field of Search** D14/204, 207,
D14/209–216, 356; 181/144–145, 147–148,
150, 153, 157, 198–199; 381/300–302,
306, 333, 345, 361–364, 386–388

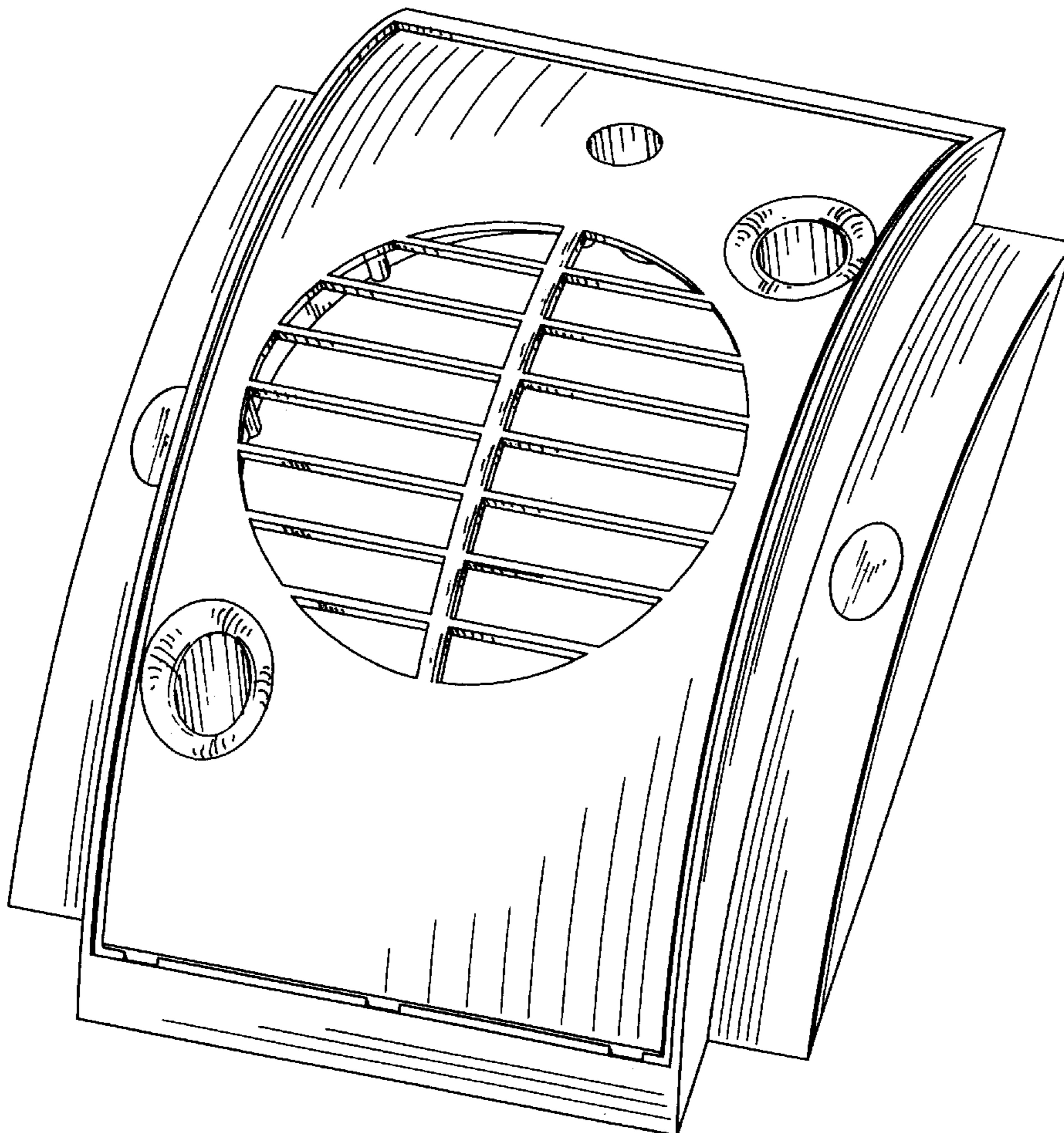
(56) **References Cited**

U.S. PATENT DOCUMENTS

D407,405 S * 3/1999 Chiu D14/214
D415,159 S * 10/1999 Nakano D14/215

The broken line showing of a protective net is for illustrative purpose only and forms no part of the claimed design.

1 Claim, 8 Drawing Sheets



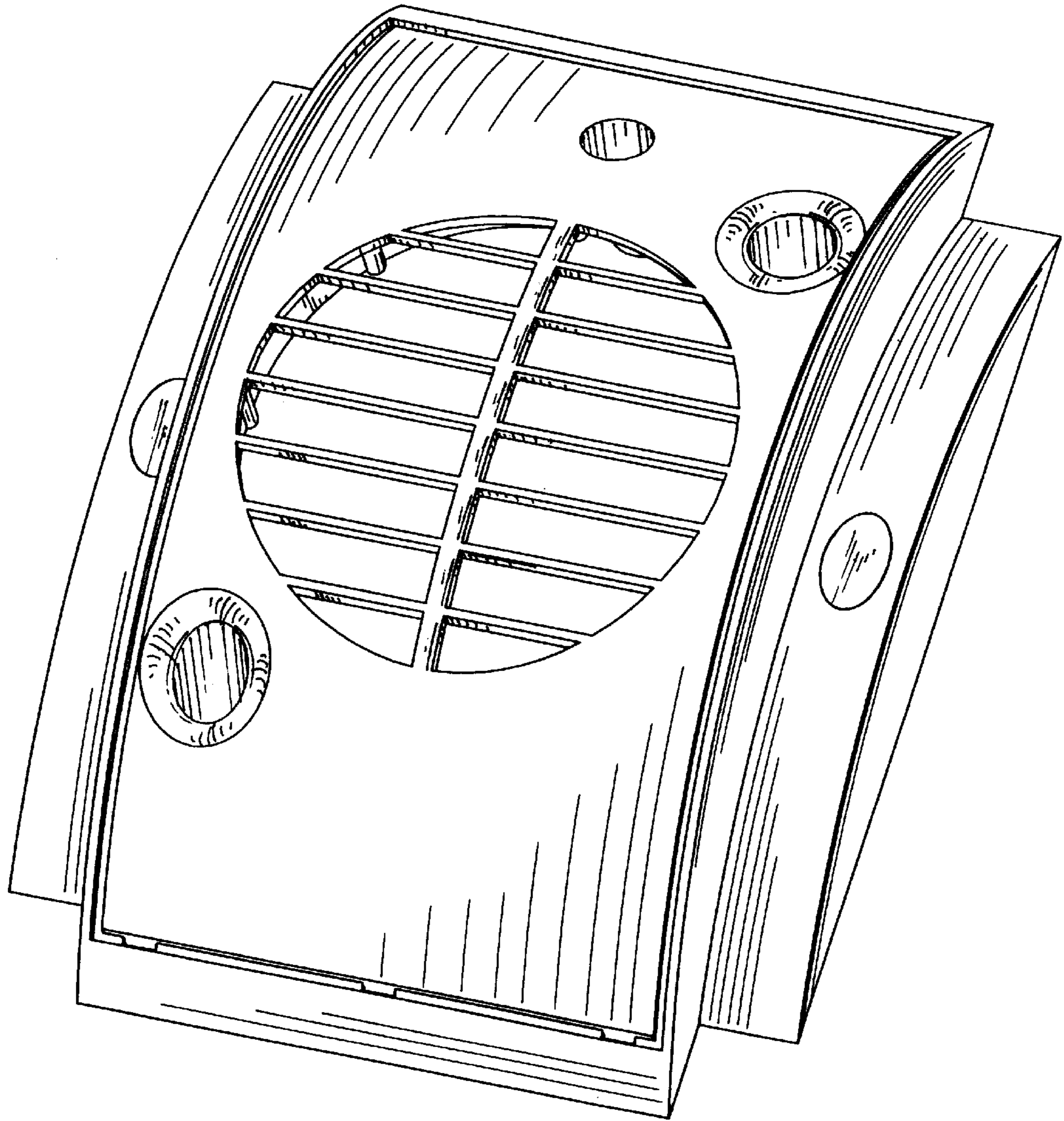


Fig. 1

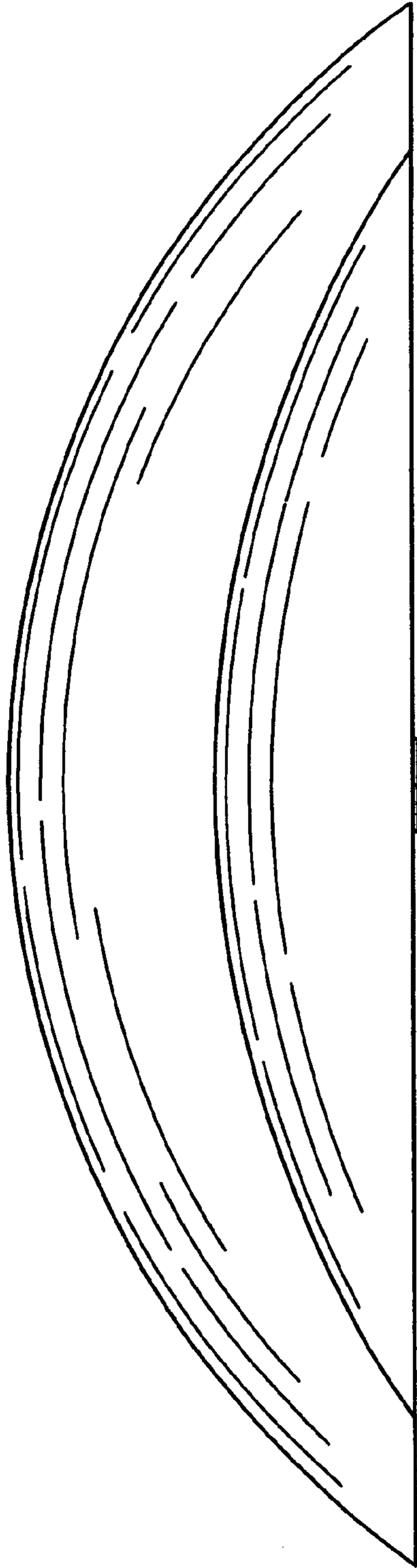


Fig. 2

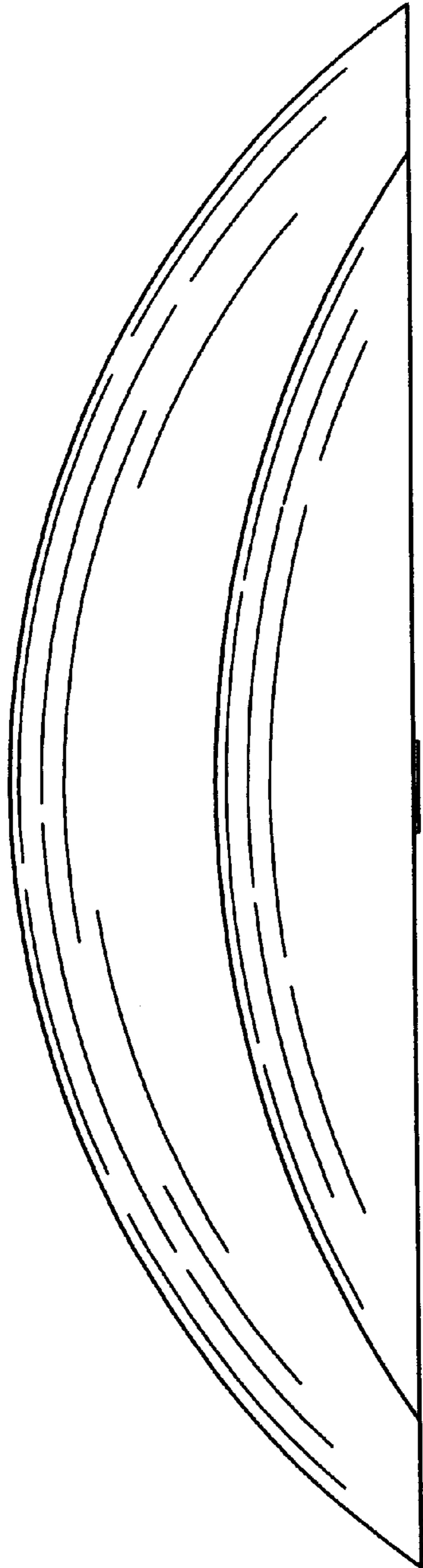


Fig. 3

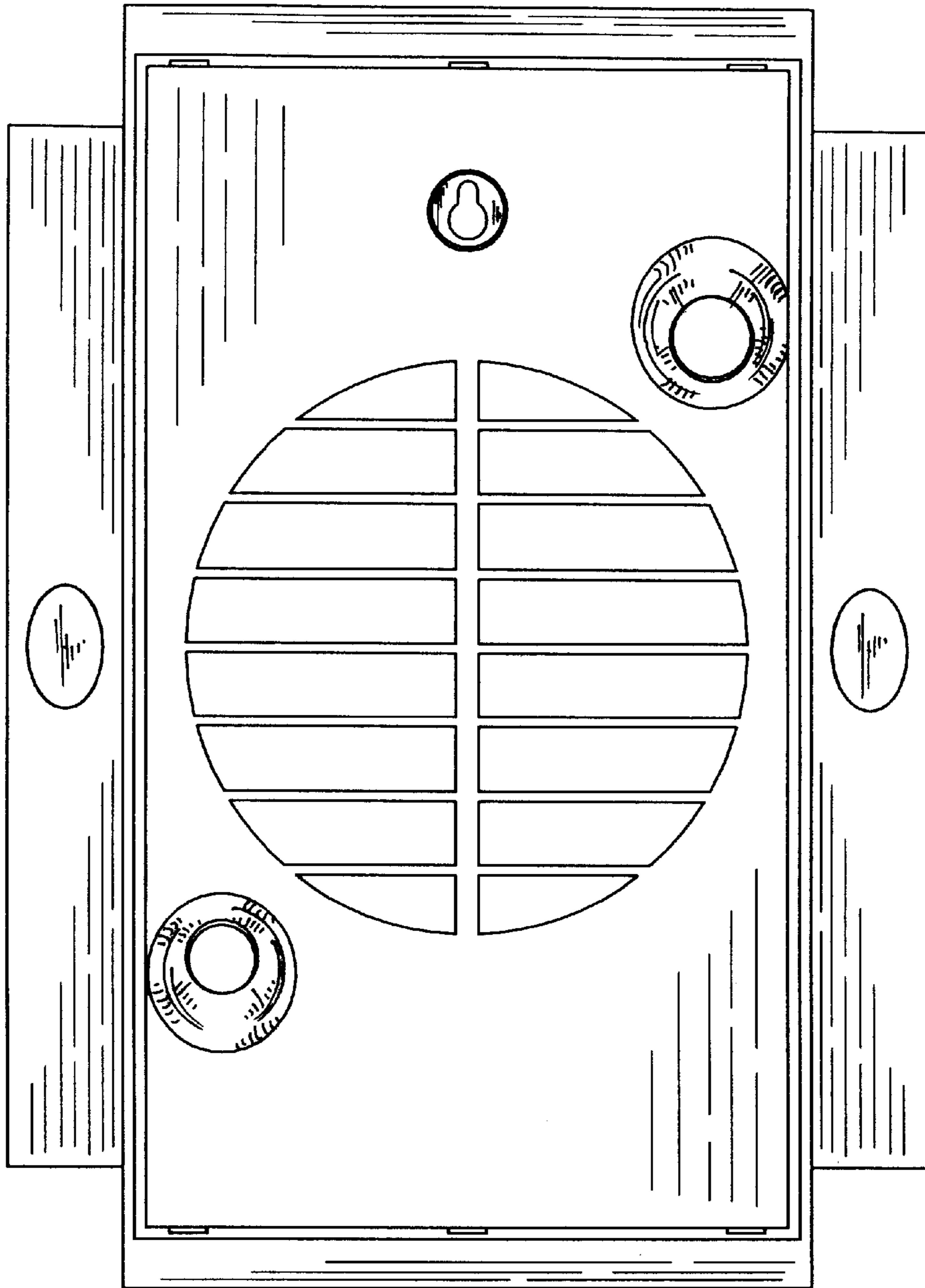


Fig. 4

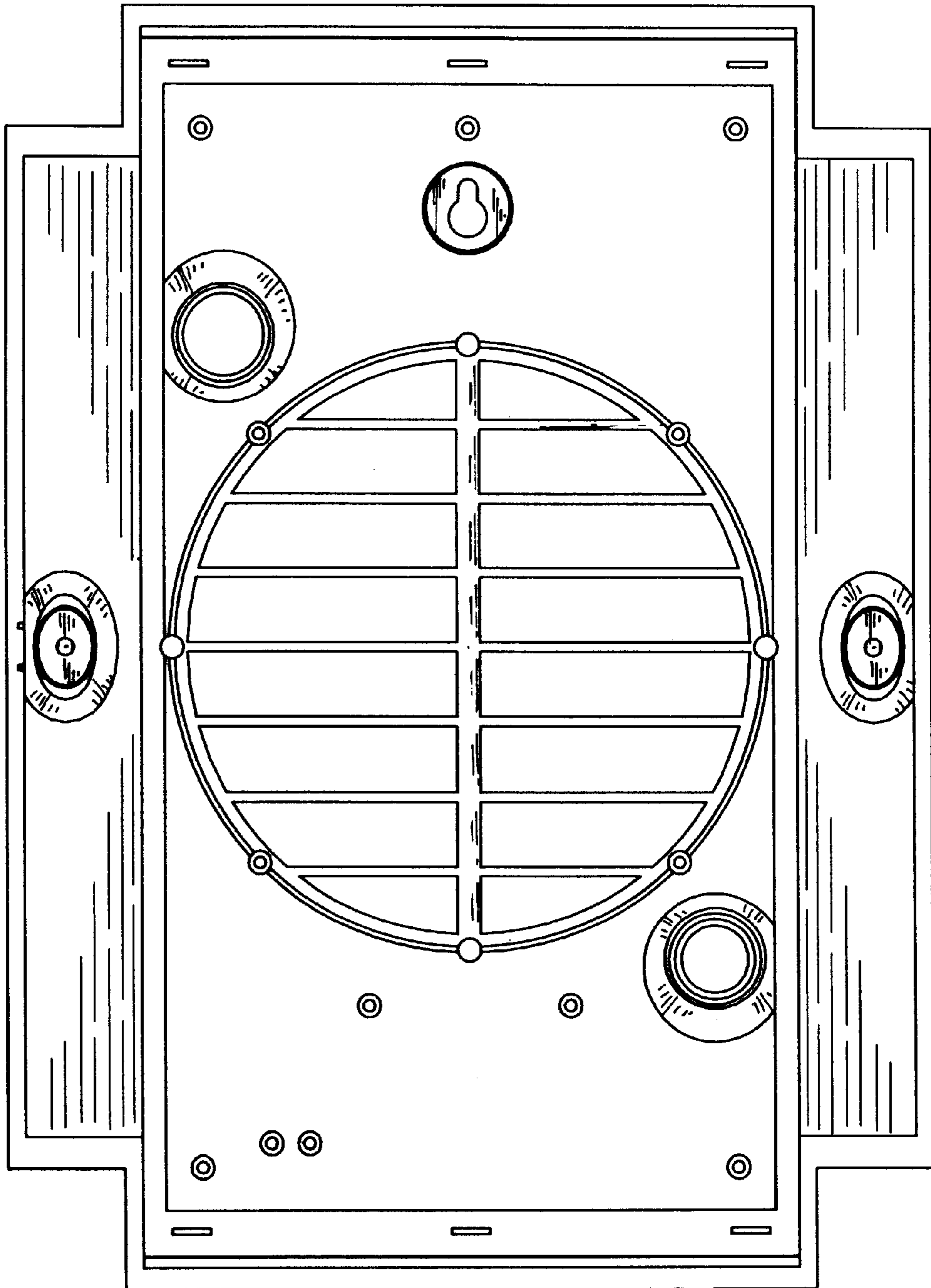


Fig. 5

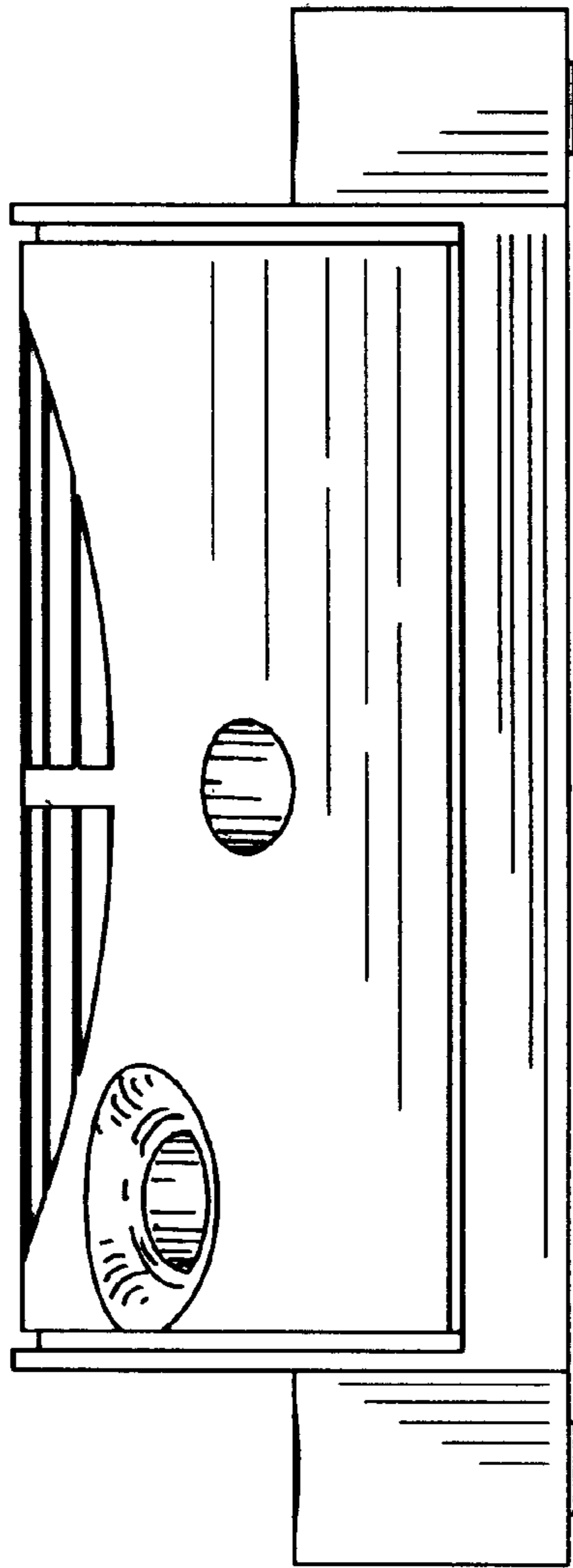


Fig. 6

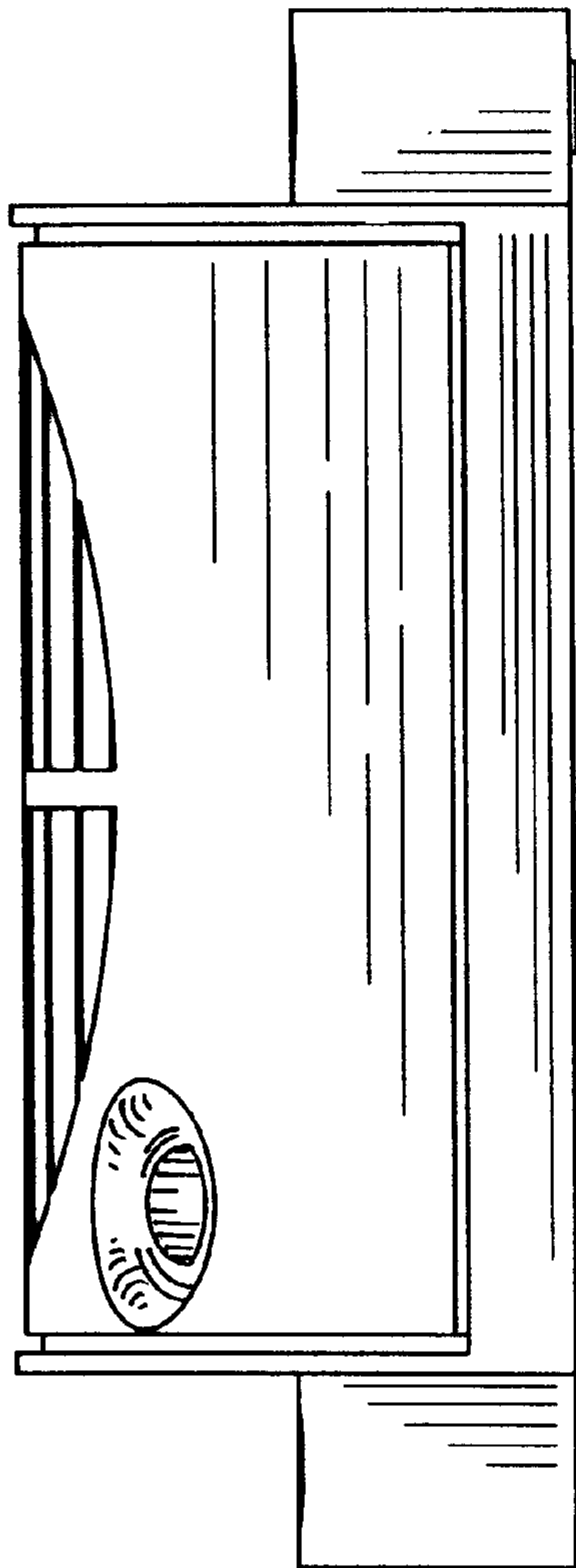


Fig. 7

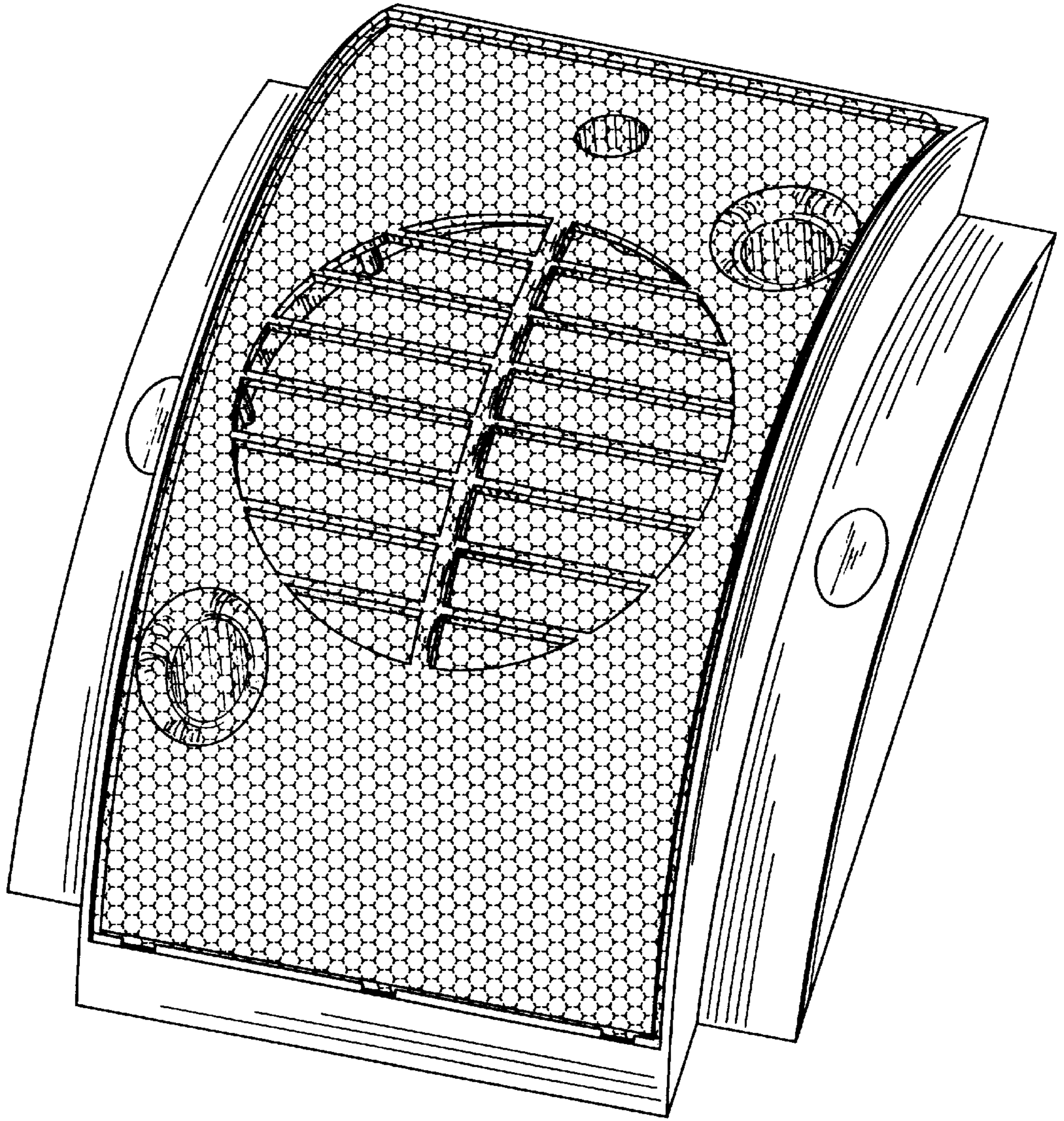


Fig. 8