



US00D489350S

(12) **United States Design Patent**
Lee

(10) **Patent No.:** **US D489,350 S**

(45) **Date of Patent:** **** May 4, 2004**

(54) **COMPACT DISC PLAYER**

D462,942 S * 9/2002 Murakami D14/156

(75) Inventor: **Johan Lee**, Sunnyside, NY (US)

* cited by examiner

(73) Assignee: **Coby Electronics Corporation**,
Maspath, NY (US)

Primary Examiner—Nanda Bondade

(74) *Attorney, Agent, or Firm*—Brown Raysman Millstein
Felder & Steiner LLP

(**) Term: **14 Years**

(57) **CLAIM**

(21) Appl. No.: **29/187,472**

The ornamental design for a compact disc player, as shown
and described.

(22) Filed: **Aug. 1, 2003**

DESCRIPTION

Related U.S. Application Data

(62) Division of application No. 29/165,842, filed on Aug. 15,
2002, now Pat. No. Des. 482,343.

A portion of the disclosure of this patent document contains
material which is subjected to copyright protection. The
copyright owner has no objection to the facsimile reproduc-
tion by anyone of the patent document or the patent disclo-
sure, as it appears in the Patent and Trademark Office patent
file or records, but reserves all other copyright rights what-
soever.

(51) **LOC (7) Cl.** **14-01**

(52) **U.S. Cl.** **D14/156**

(58) **Field of Search** D14/135-136,
D14/156-157, 160-165, 167-168; 369/75.1,
75.2, 77.1, 77.2; 455/344, 347-351

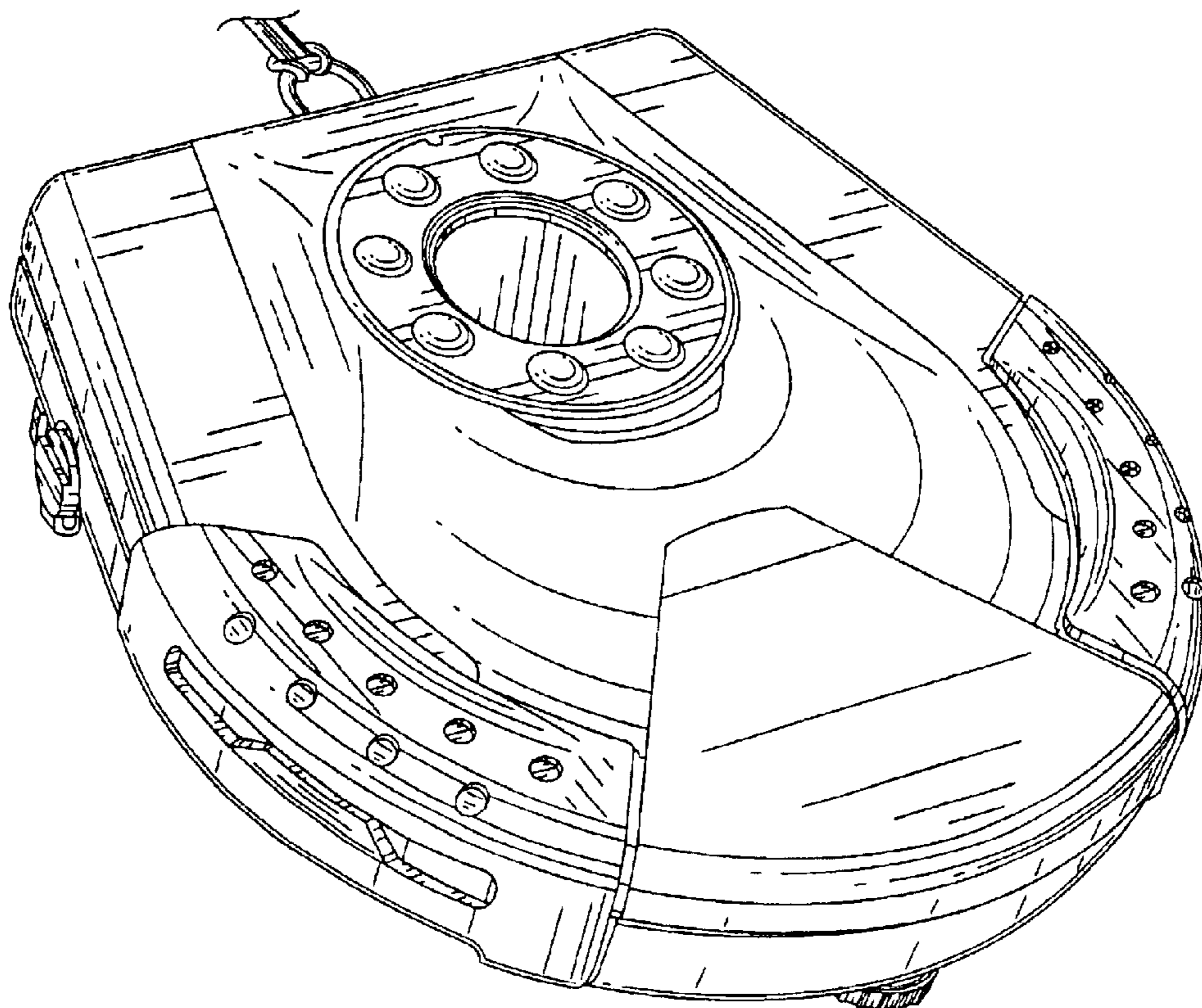
FIG. 1 is a perspective view of the compact disc player
showing my new design;
FIG. 2 is a front view thereof;
FIG. 3 is a rear view thereof;
FIG. 4 is a left side view thereof;
FIG. 5 is a right side view thereof;
FIG. 6 is a top view thereof; and,
FIG. 7 is a bottom view thereof.

(56) **References Cited**

U.S. PATENT DOCUMENTS

- D427,988 S * 7/2000 Haney D14/156
- D431,544 S * 10/2000 Kobayashi D14/156
- D449,292 S * 10/2001 Miyazaki D14/217
- D451,490 S * 12/2001 Martres D14/156

1 Claim, 5 Drawing Sheets



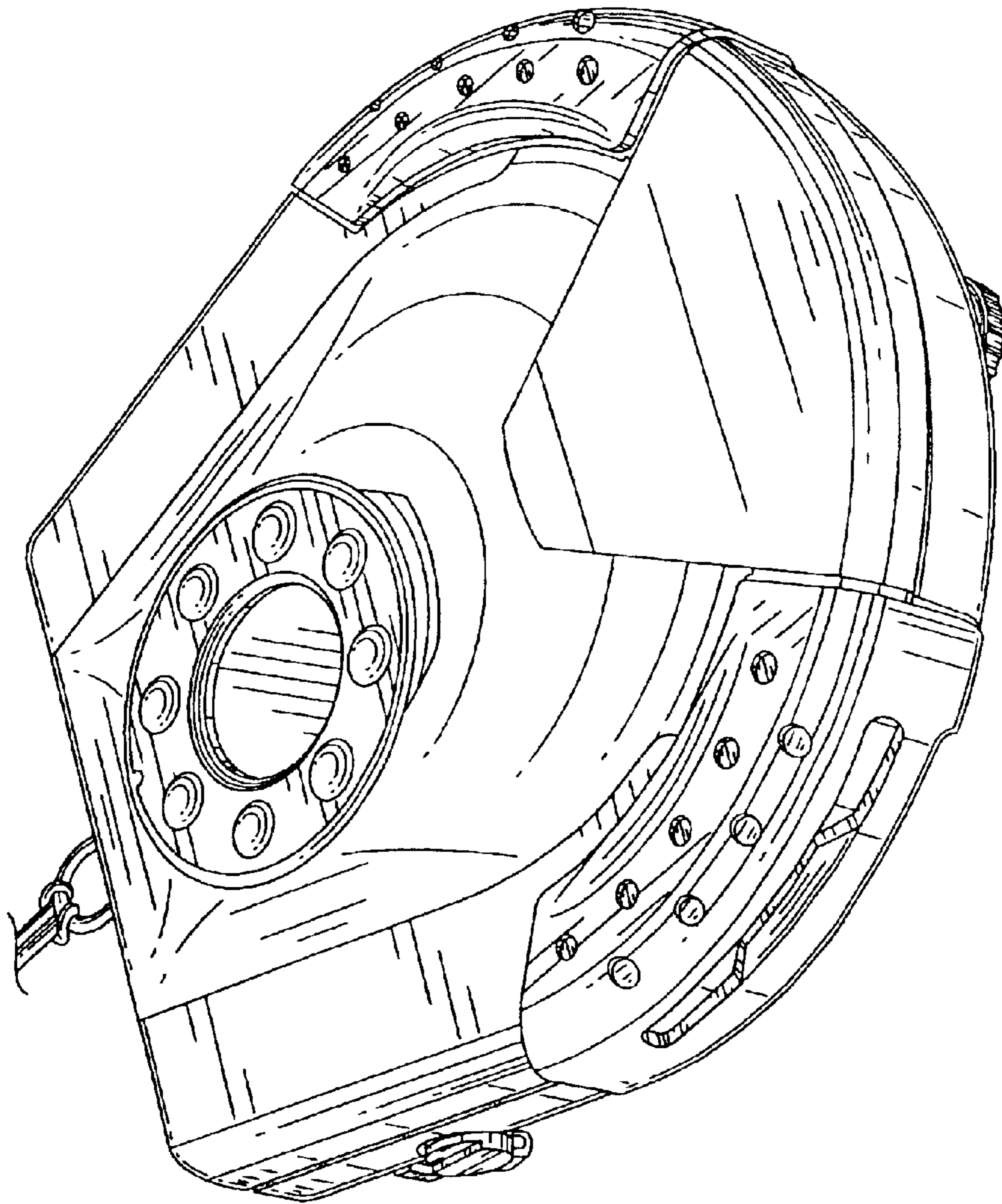


FIG. 1

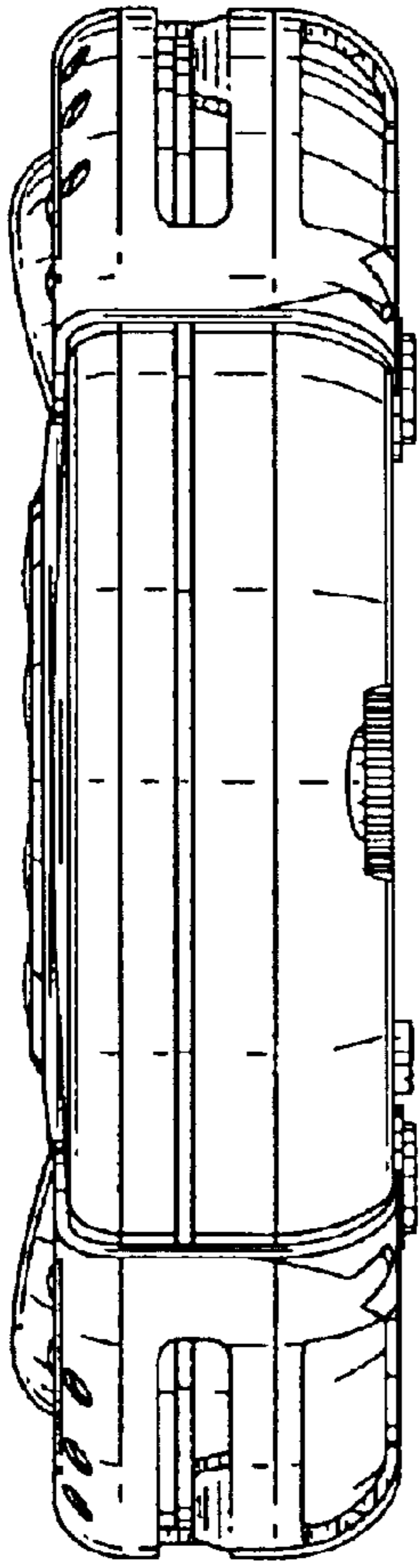


FIG. 2

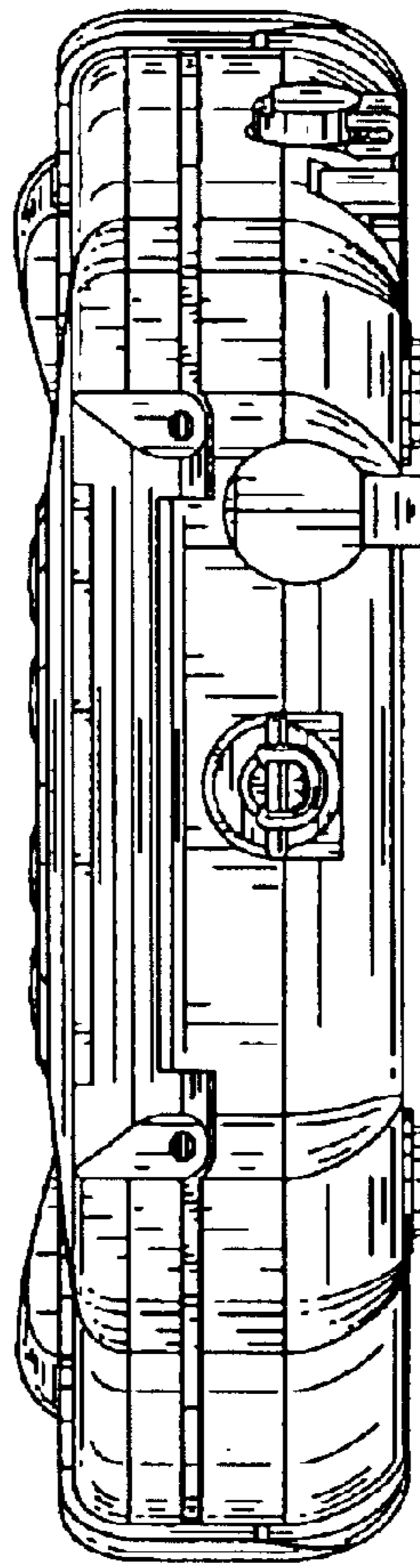


FIG. 3

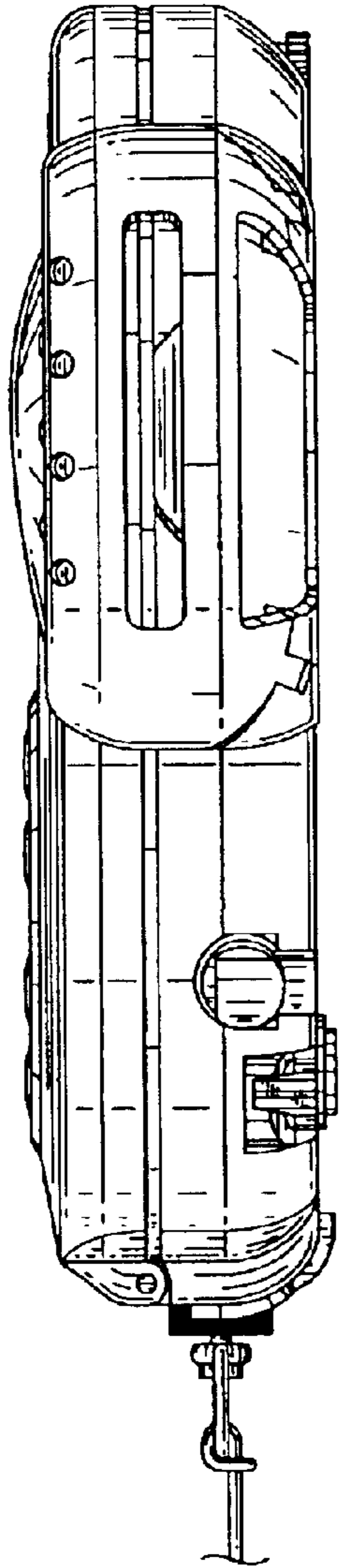


FIG. 4

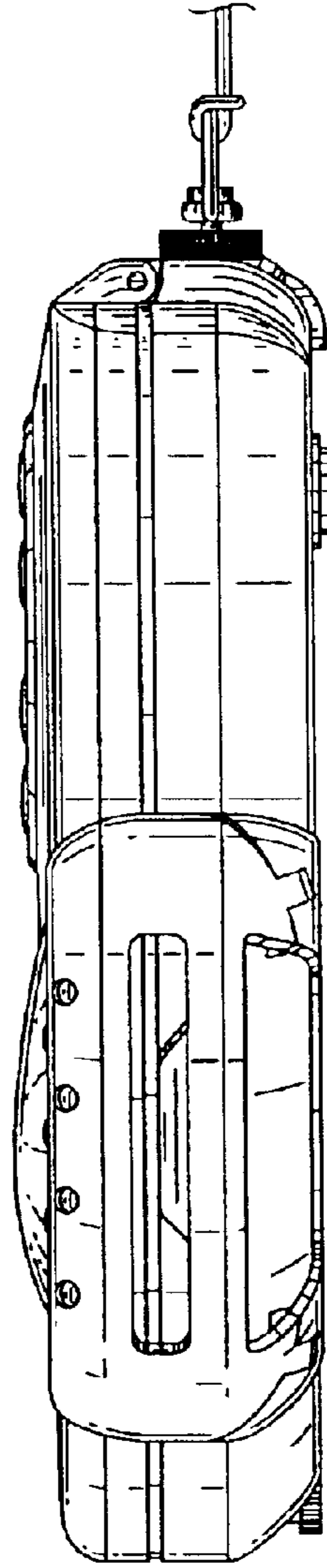


FIG. 5

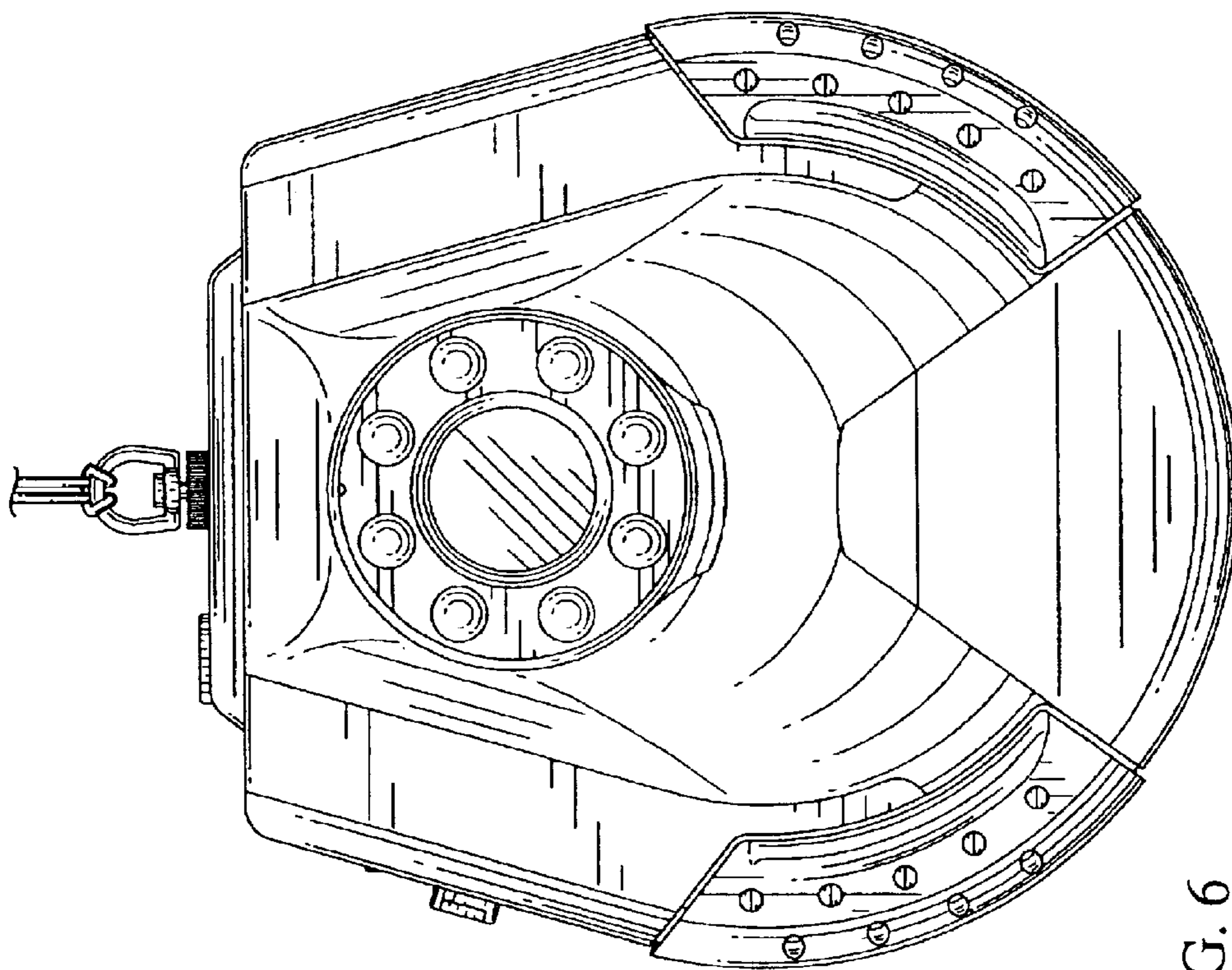


FIG. 6

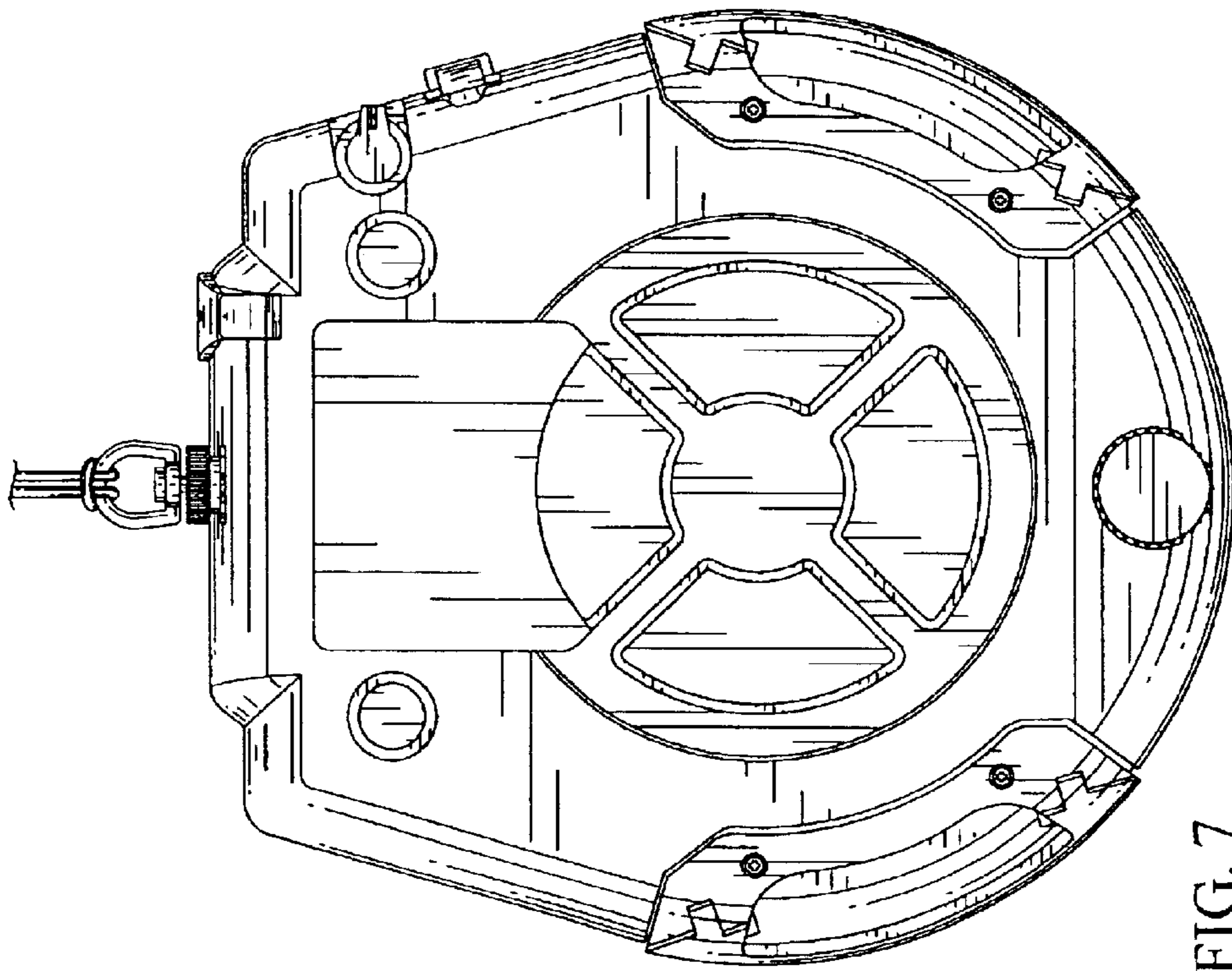


FIG. 7