



US00D489334S

(12) **United States Design Patent**  
**Taguchi**

(10) **Patent No.:** **US D489,334 S**

(45) **Date of Patent:** **\*\* May 4, 2004**

(54) **ELECTRIC CONNECTOR**

(75) Inventor: **Hiroyuki Taguchi**, Kanagawa (JP)

(73) Assignee: **J.S.T. Mfg. Co., Ltd.**, Osaka (JP)

(\*\*) Term: **14 Years**

(21) Appl. No.: **29/176,782**

(22) Filed: **Feb. 28, 2003**

(30) **Foreign Application Priority Data**

Aug. 29, 2002 (JP) ..... 2002-023306

(51) **LOC (7) Cl.** ..... **13-03**

(52) **U.S. Cl.** ..... **D13/147**

(58) **Field of Search** ..... D13/146, 147;  
439/155, 188, 326, 330, 331, 489, 630,  
638

(56) **References Cited**

**U.S. PATENT DOCUMENTS**

5,906,516 A *	5/1999	Sato et al. ....	439/630
5,984,707 A *	11/1999	Kuwata .....	439/326
D423,455 S *	4/2000	Konno et al. ....	D13/147
6,132,229 A *	10/2000	Wu .....	439/188
6,210,193 B1 *	4/2001	Ito et al. ....	439/326
6,334,786 B1 *	1/2002	Lee .....	439/331
6,425,775 B1 *	7/2002	Chang et al. ....	439/188
6,568,960 B2 *	5/2003	Bricaud et al. ....	439/630

**FOREIGN PATENT DOCUMENTS**

JP 1171422 A1 4/2003

**OTHER PUBLICATIONS**

JST Publication Entitled "SCG Connector" pp. 458-459. Certificate of Registration of Design in the name of J.S.T. MFG Co. Ltd; Registration No. 3001919, Registration Date Mar. 5, 2002; Date of Grant of Certificate Oct. 1, 2002 including 4 sheets of drawings.

\* cited by examiner

*Primary Examiner*—Philip S. Hyder

*Assistant Examiner*—Selina Sikder

(74) *Attorney, Agent, or Firm*—Rader, Fishman & Grauer PLLC

(57) **CLAIM**

The ornamental design for an electric connector, as shown.

**DESCRIPTION**

FIG. 1 is a perspective view of an electric connector showing my new design; FIG. 2 is a front elevational view thereof; FIG. 3 is a rear elevational view thereof; FIG. 4 is a top plan view thereof; FIG. 5 is a bottom plan view thereof; FIG. 6 is a right side elevational view thereof; and, FIG. 7 is a left side elevational view thereof.

**1 Claim, 4 Drawing Sheets**

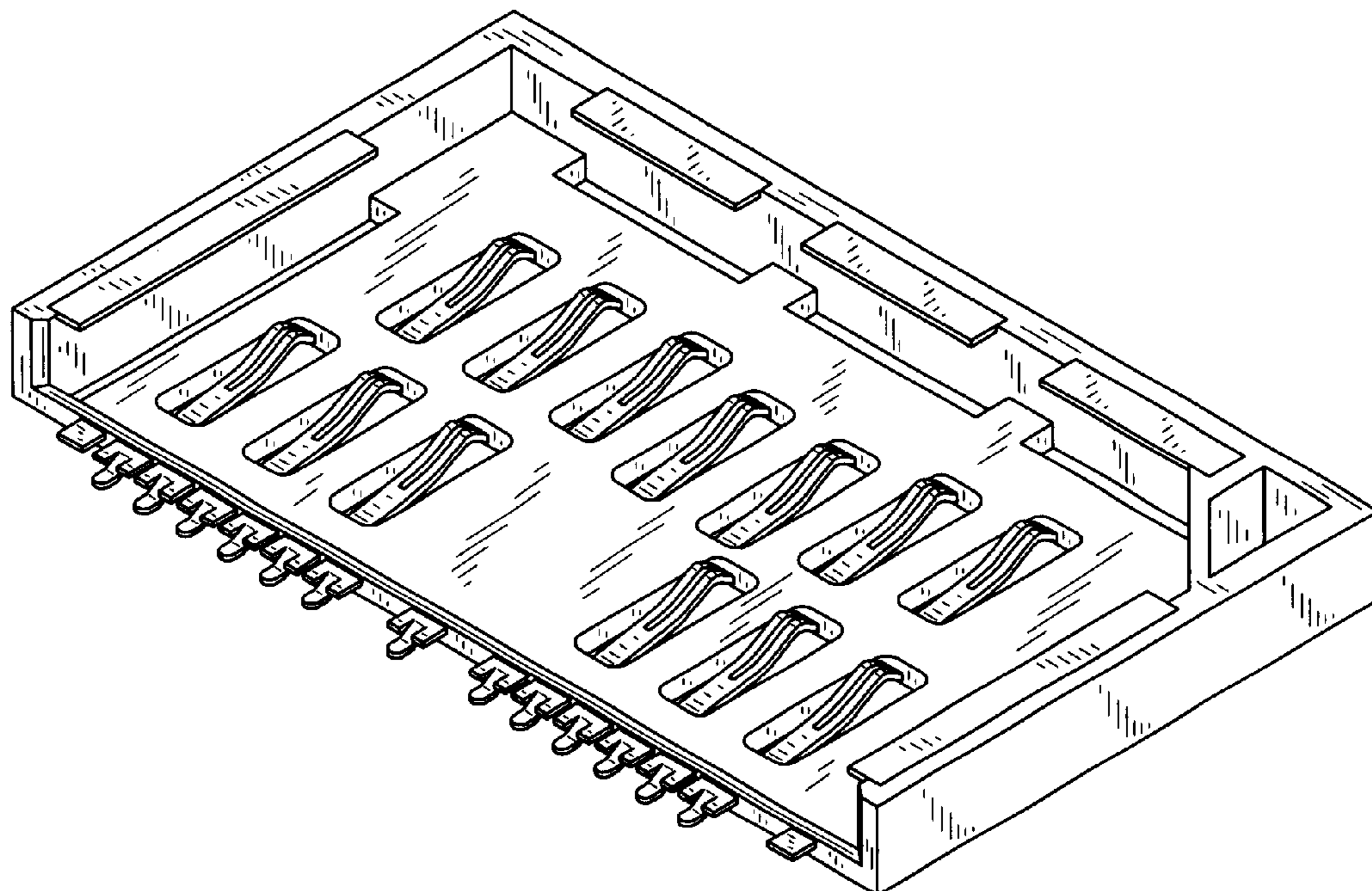


FIG. 1

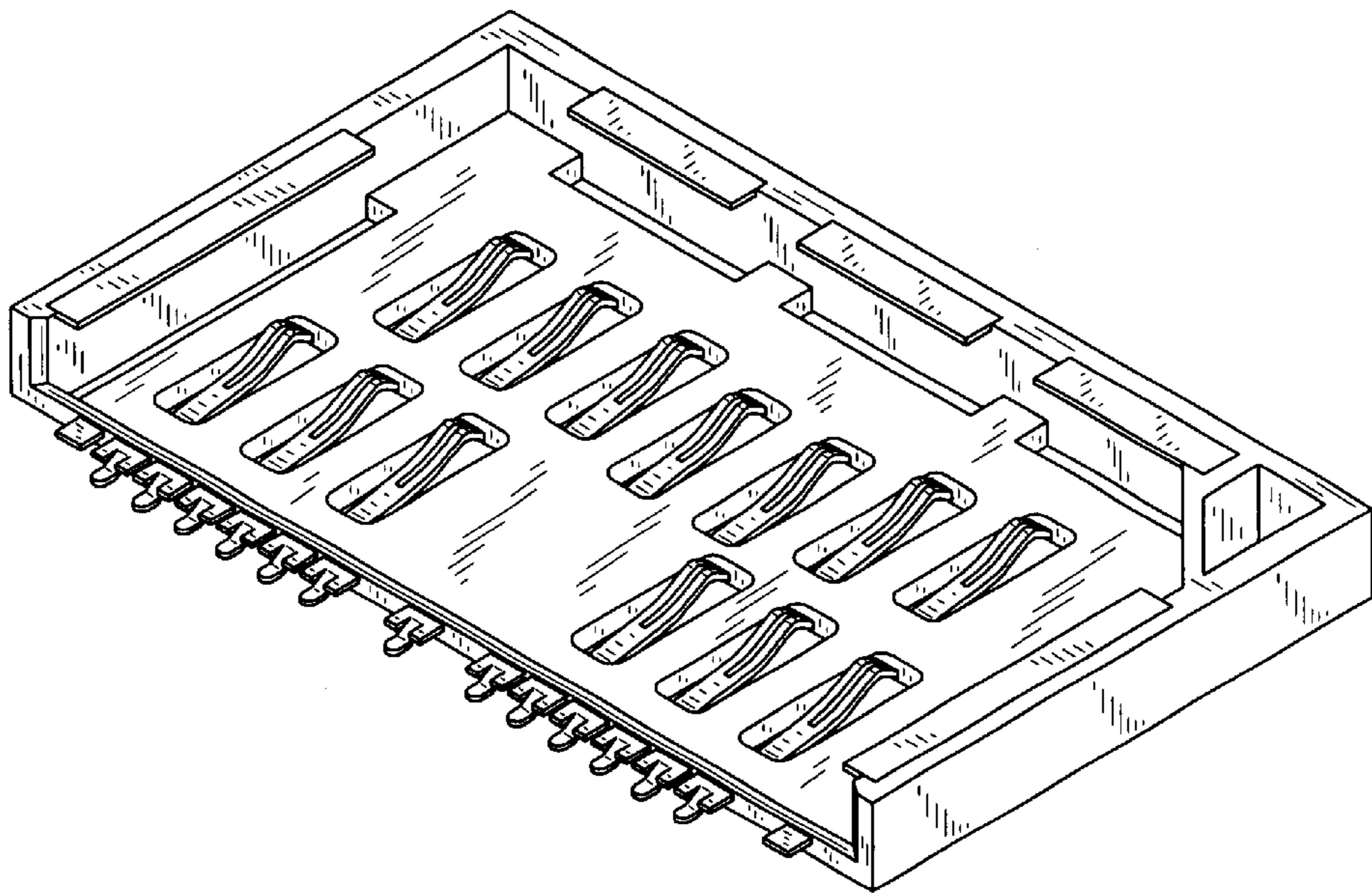


FIG. 2



FIG. 3

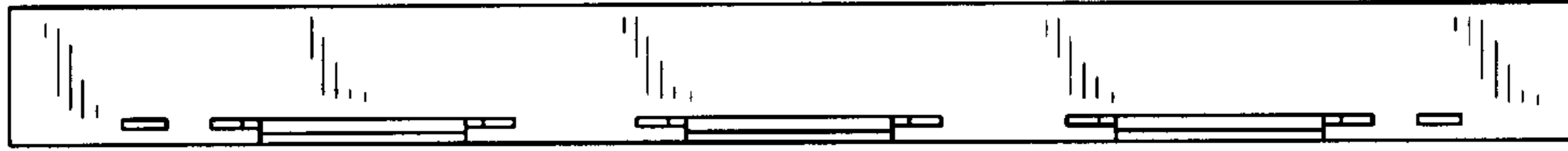


FIG. 4

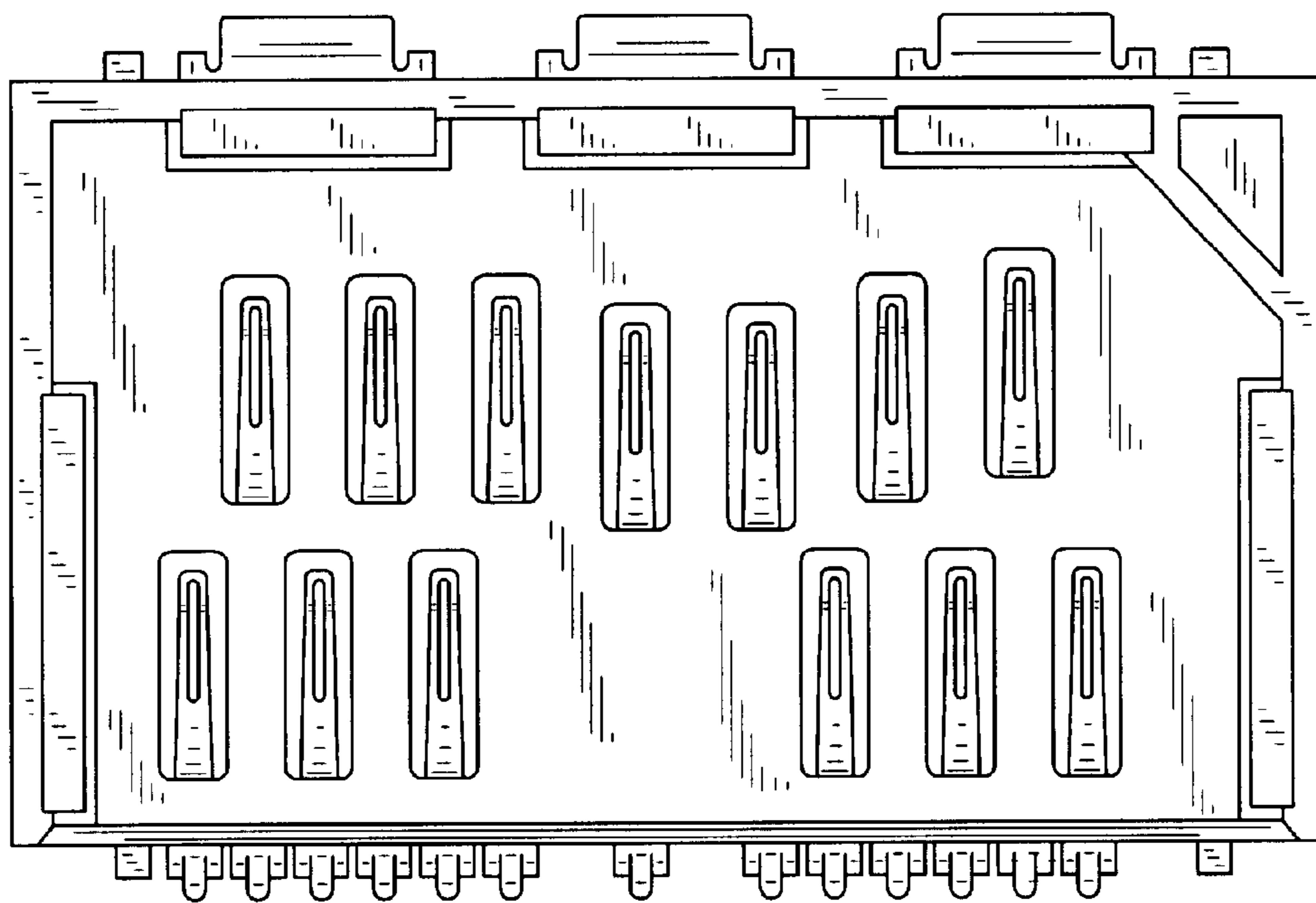


FIG. 5

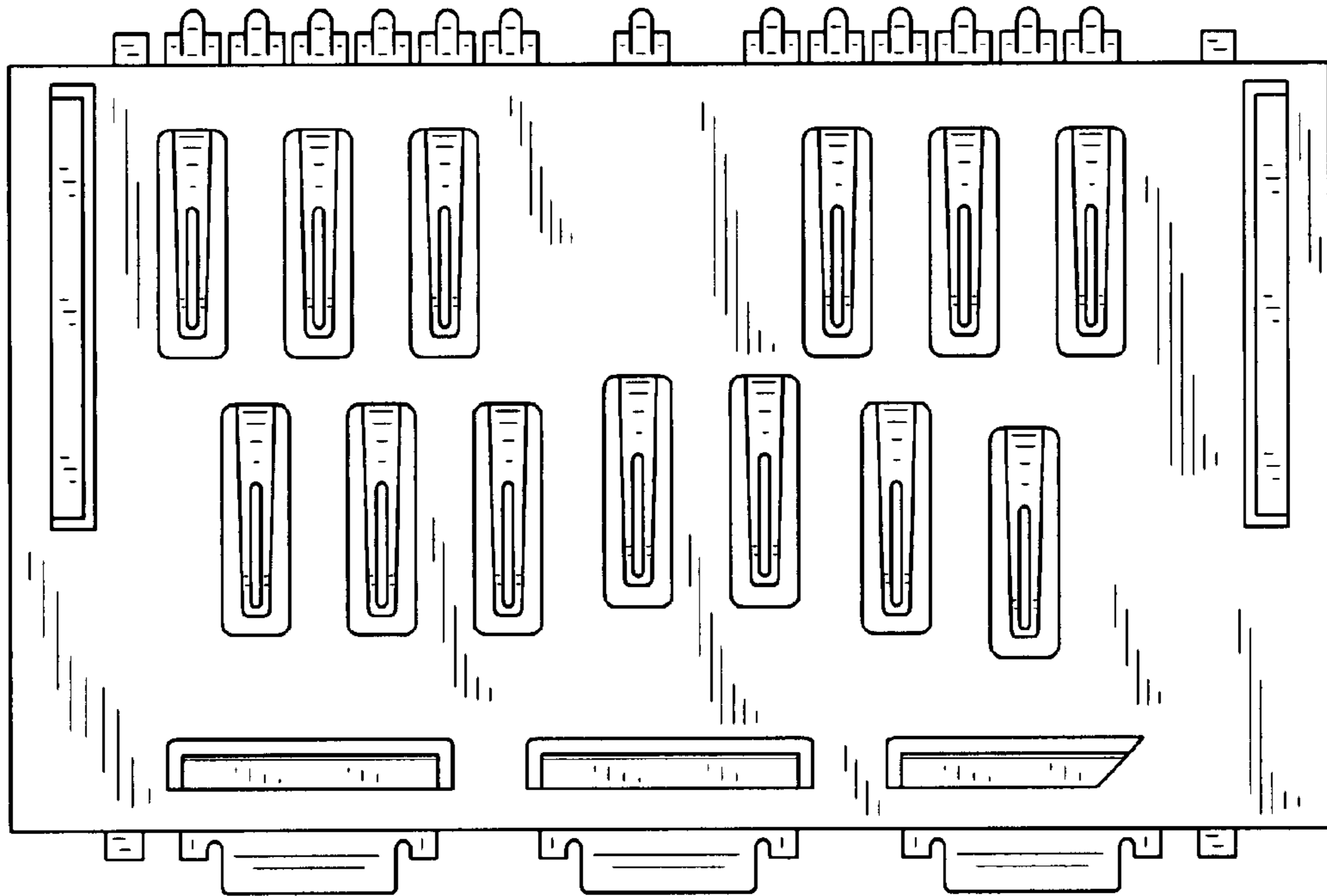
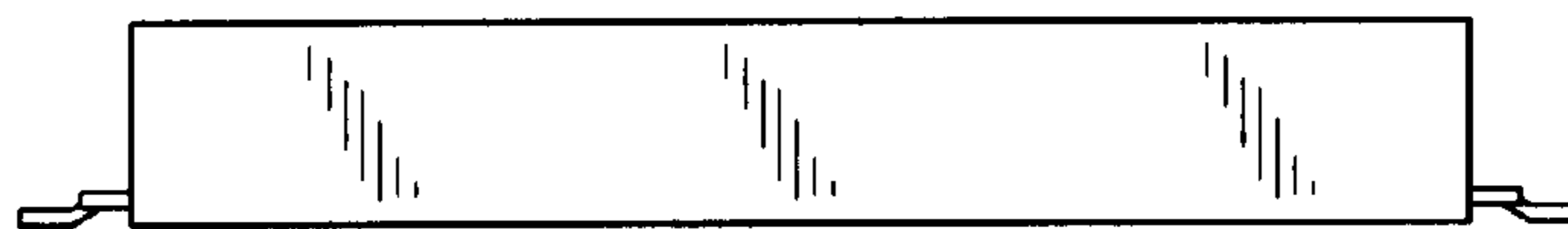


FIG. 6



# FIG. 7

