



US00D489333S

(12) **United States Design Patent**
Liu et al.

(10) **Patent No.:** **US D489,333 S**

(45) **Date of Patent:** **** May 4, 2004**

(54) **CABLE END CONNECTOR ASSEMBLY**

(75) Inventors: **Huang Hsin Liu**, Tu-chen (TW); **Jie Cheng**, Tu-Chen (TW)

(73) Assignee: **Hon Hai Precision Ind. Co., Ltd.**,
Taipei Hsien (TW)

(**) Term: **14 Years**

(21) Appl. No.: **29/173,601**

(22) Filed: **Dec. 31, 2002**

(30) **Foreign Application Priority Data**

Dec. 20, 2002 (TW) 91307438

(51) **LOC (7) Cl.** **13-03**

(52) **U.S. Cl.** **D13/147**

(58) **Field of Search** D13/146, 147,
D13/154; 439/582, 680, 694, 844, 855,
902

(56) **References Cited**

U.S. PATENT DOCUMENTS

3,787,801 A * 1/1974 Teagno et al. 439/855
4,632,486 A * 12/1986 Hasircoglu 439/394

5,254,019 A * 10/1993 Noschese 439/681
5,702,266 A * 12/1997 Jones 439/357
6,017,249 A * 1/2000 Akimoto et al. 439/692
6,068,502 A * 5/2000 Kuo 439/353
D449,820 S * 10/2001 Lee D13/147
D457,139 S * 5/2002 Chen D13/147

* cited by examiner

Primary Examiner—Joel Sincavage

(74) *Attorney, Agent, or Firm*—Wei Te Chung

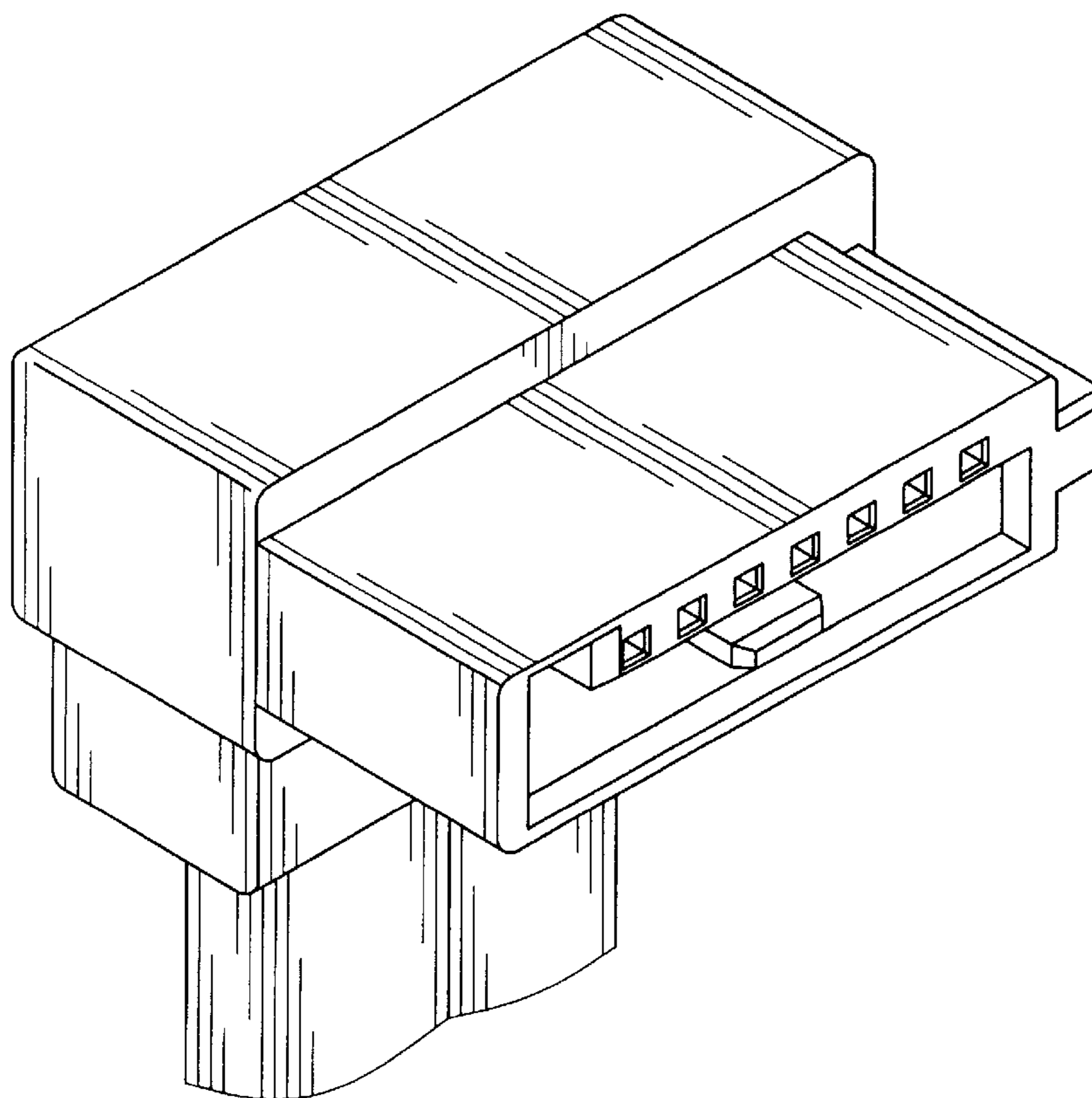
(57) **CLAIM**

The ornamental design for a cable end connector assembly,
as shown.

DESCRIPTION

FIG. 1 is a front, top and left side perspective view of a cable end connector assembly showing our new design;
FIG. 2 is a front elevational view thereof;
FIG. 3 is a rear elevational view thereof;
FIG. 4 is a left side elevational view thereof;
FIG. 5 is a right side elevational view thereof;
FIG. 6 is a top plan view thereof; and,
FIG. 7 is a bottom plan view thereof.

1 Claim, 7 Drawing Sheets



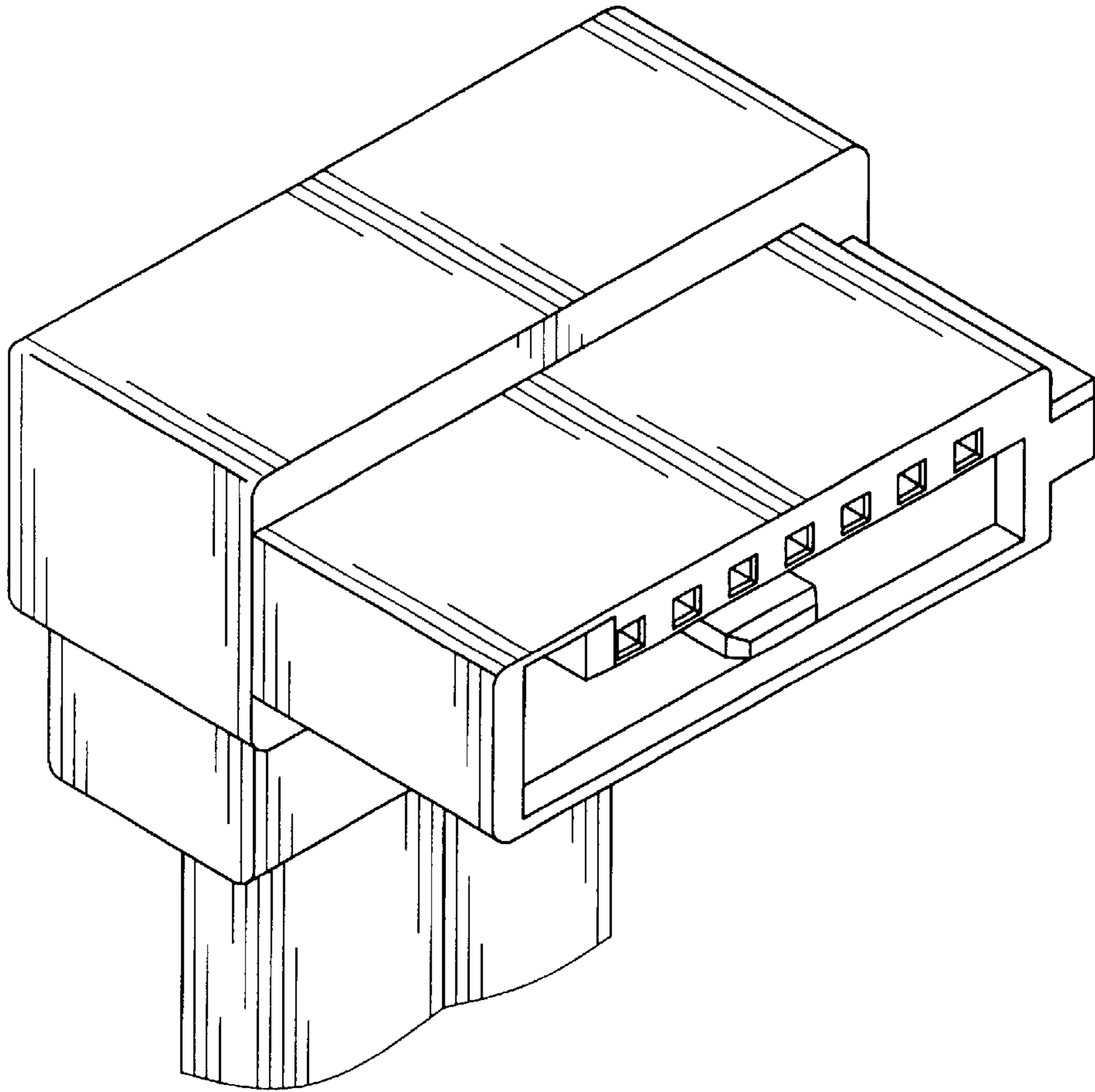


FIG. 1

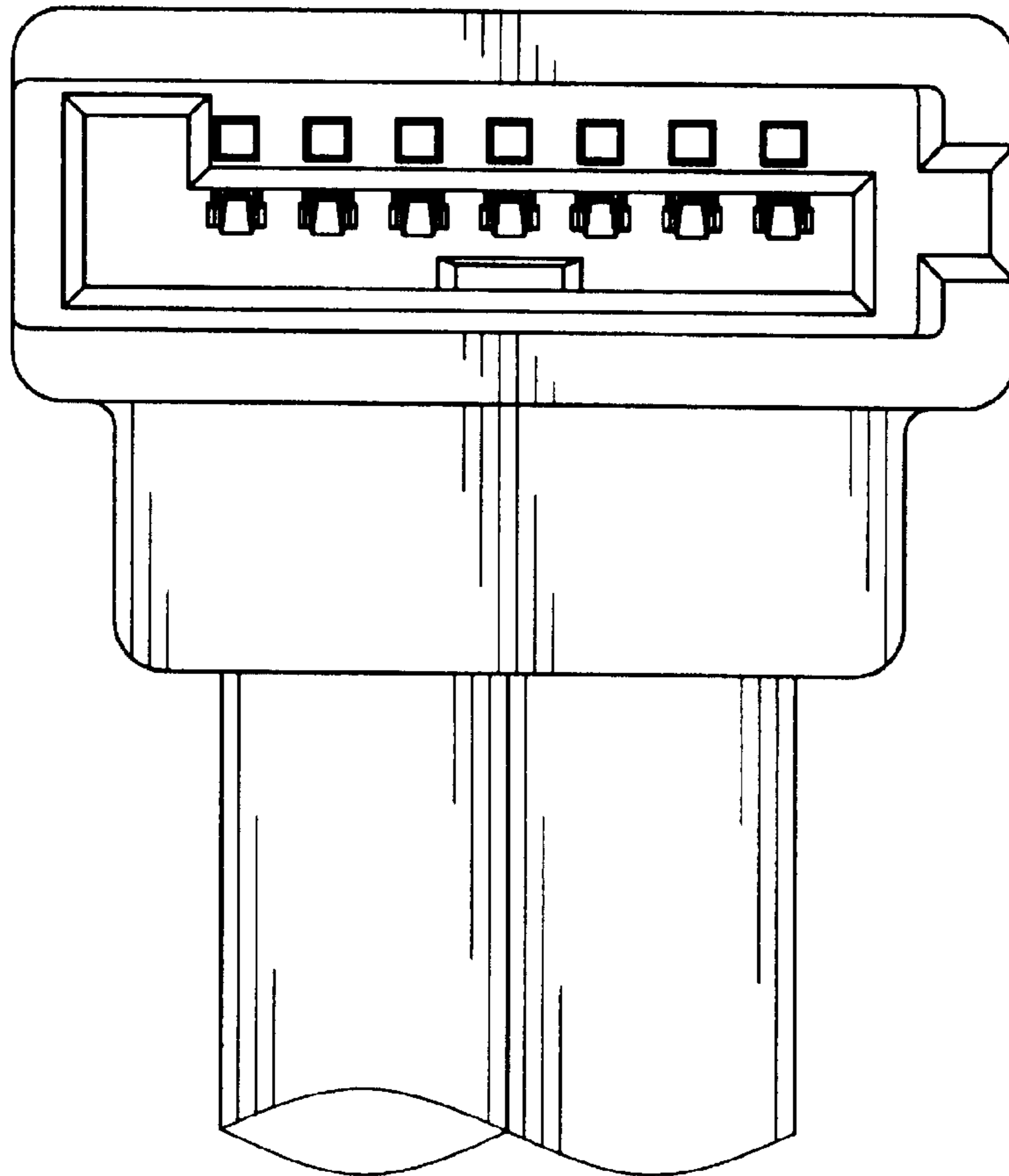


FIG. 2

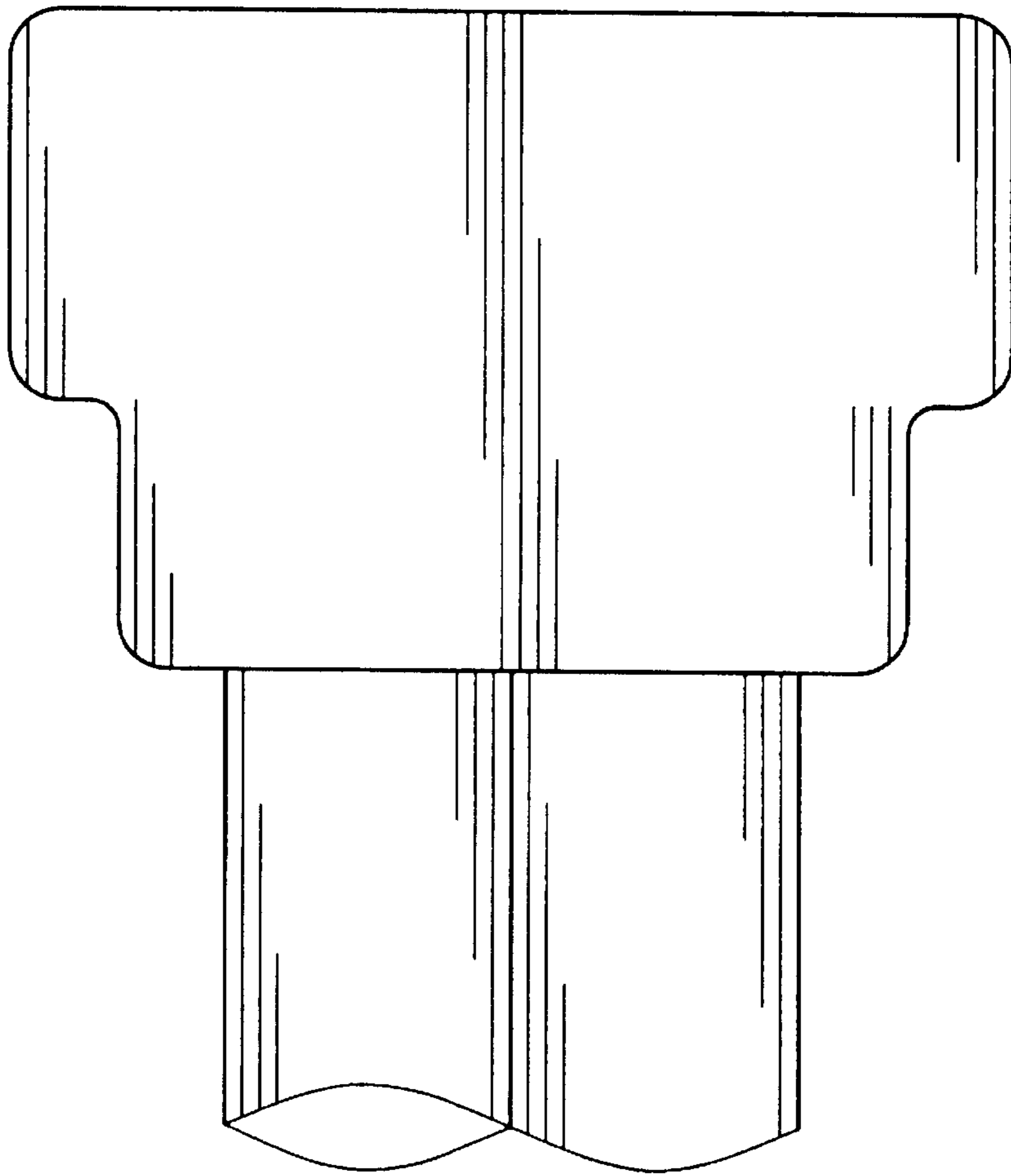


FIG. 3

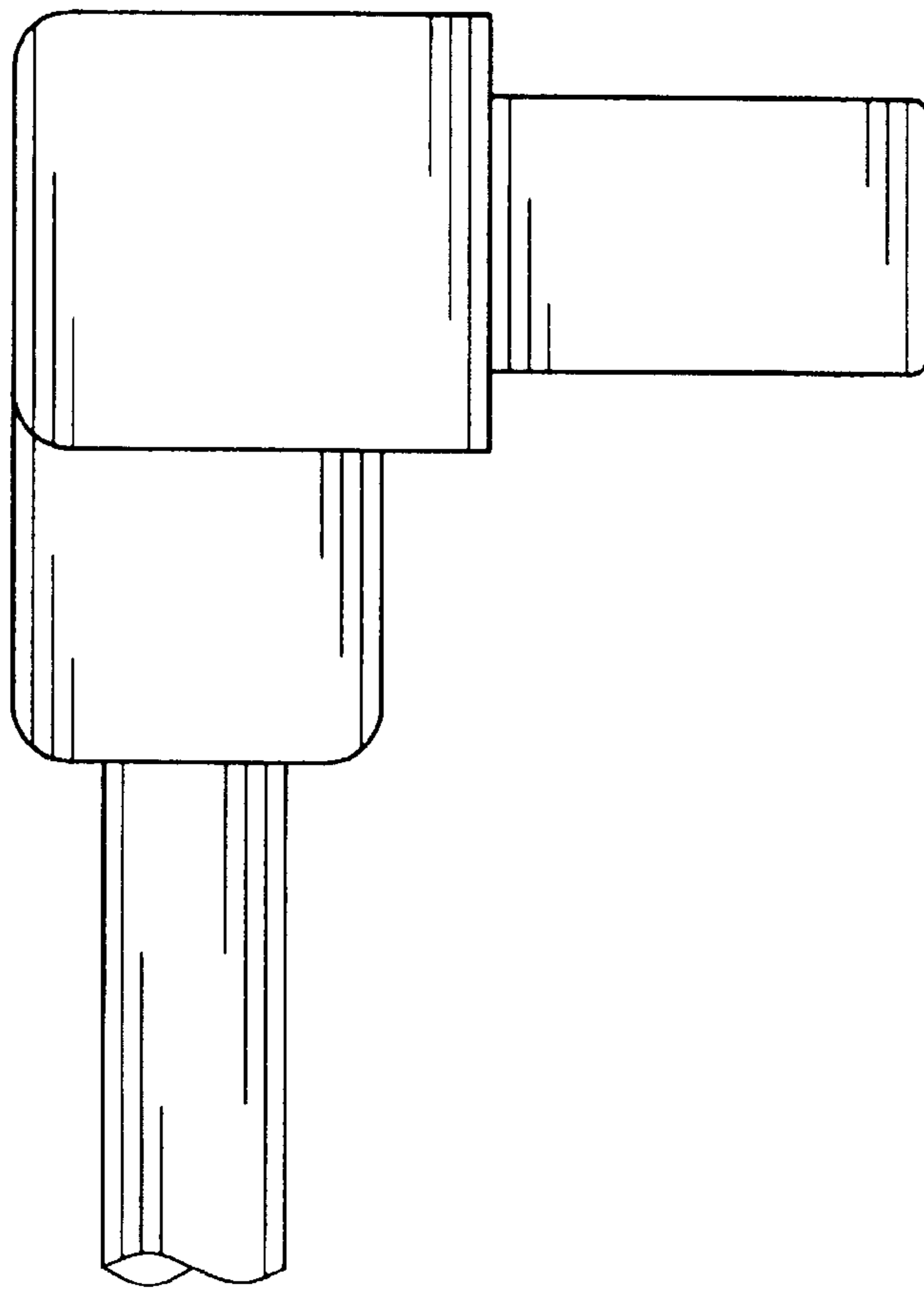


FIG. 4

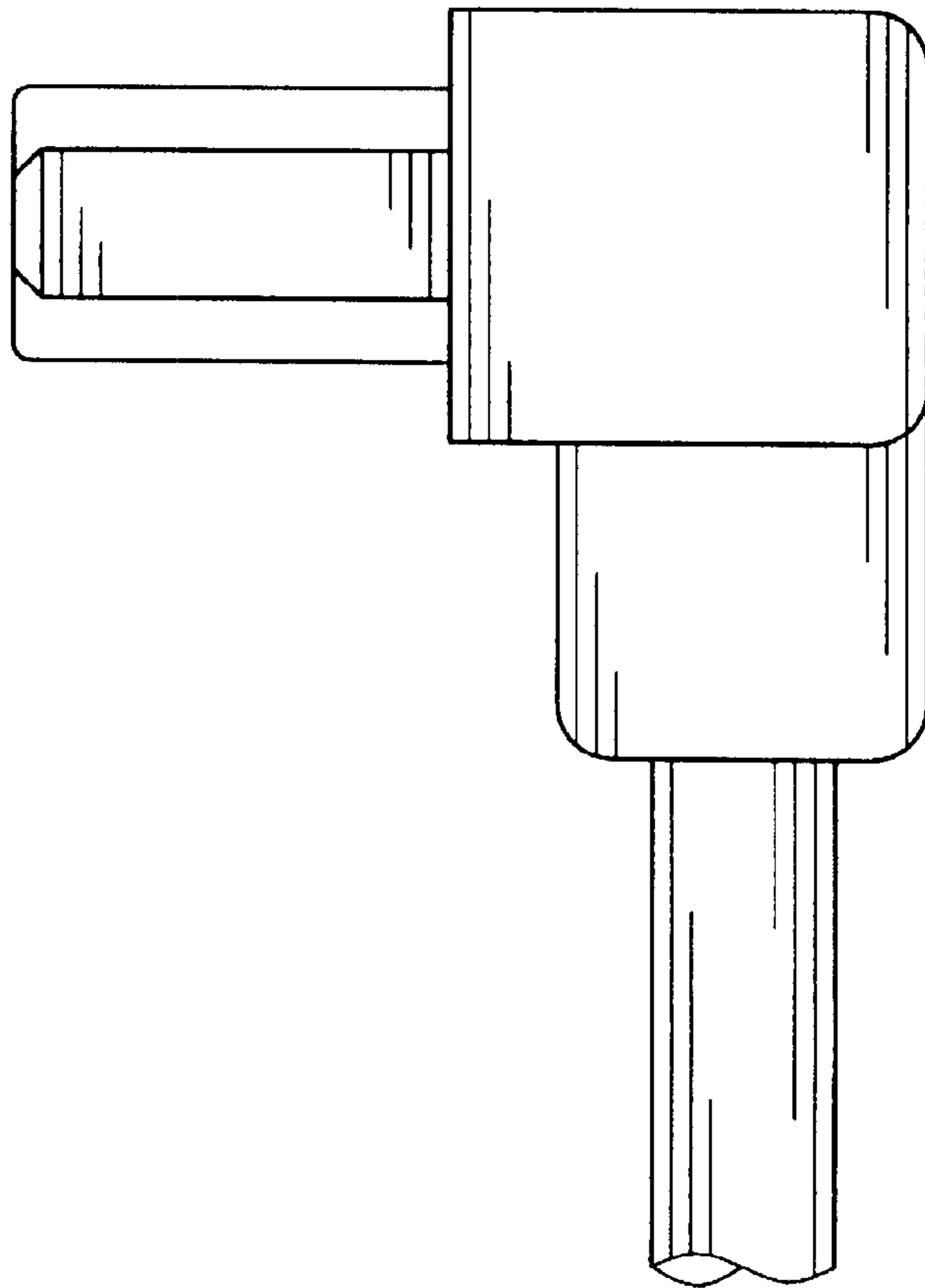


FIG. 5

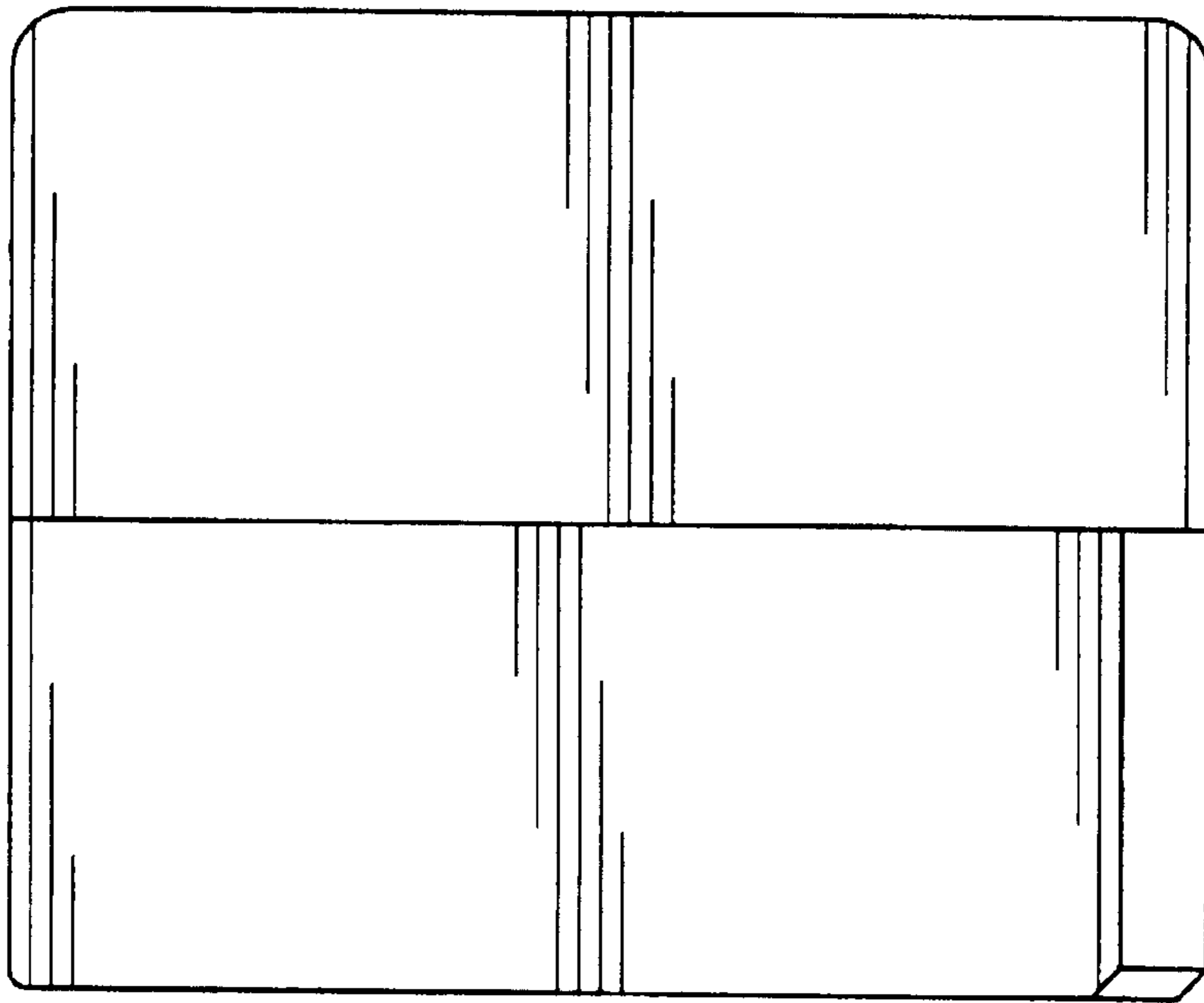


FIG. 6

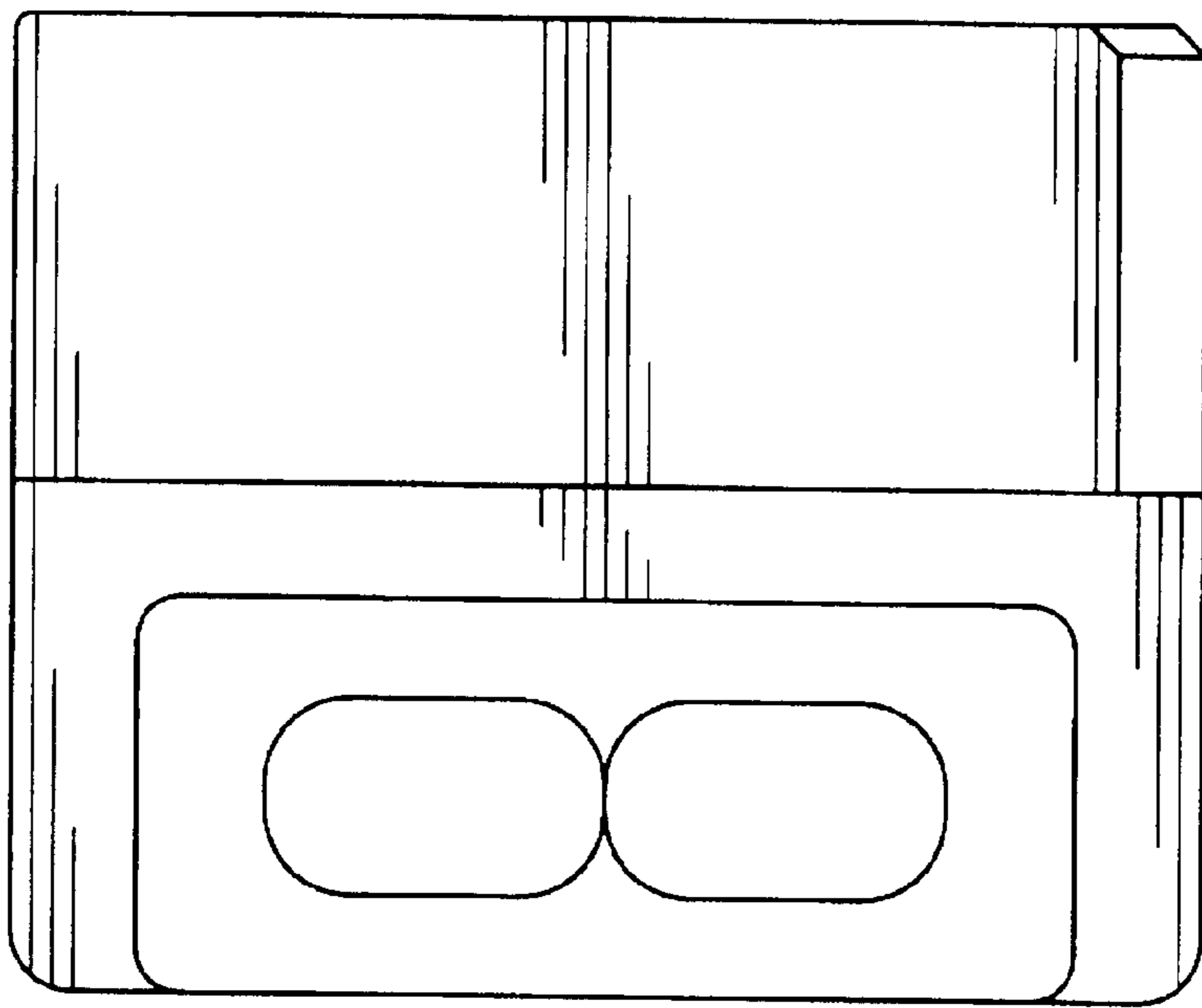


FIG. 7