



US00D489331S

(12) **United States Design Patent**
Hisamatsu et al.

(10) **Patent No.:** **US D489,331 S**

(45) **Date of Patent:** **** May 4, 2004**

(54) **ELECTRICAL CONNECTOR**

(75) Inventors: **Kazuhito Hisamatsu**, Hino (JP);
Masayuki Kikuchi, Oume (JP); **Akira Kimura**, Kokubunji (JP)

(73) Assignee: **Japan Aviation Electronics Industry, Limited**, Tokyo (JP)

(**) Term: **14 Years**

(21) Appl. No.: **29/167,678**

(22) Filed: **Sep. 19, 2002**

(51) **LOC (7) Cl.** **13-03**

(52) **U.S. Cl.** **D13/147**

(58) **Field of Search** D13/147; 439/296,
439/345, 329, 422, 492, 260, 395, 495,
499, 378

(56) **References Cited**

U.S. PATENT DOCUMENTS

- D293,432 S * 12/1987 Masuda D13/147
- 6,077,089 A * 6/2000 Bishop et al. 439/296 X
- D444,130 S * 6/2001 Hayashi et al. D13/147
- D454,114 S * 3/2002 Hayashi et al. D13/147
- D455,717 S * 4/2002 Hayashi et al. D13/147
- D456,777 S * 5/2002 Igarashi D13/147
- D456,778 S * 5/2002 Igarashi D13/147

- D456,779 S * 5/2002 Igarashi D13/147
- D456,780 S * 5/2002 Igarashi D13/147
- 2001/0036767 A1 * 11/2001 Igarashi 439/442

* cited by examiner

Primary Examiner—Joel Sincavage

(74) *Attorney, Agent, or Firm*—Michael, Best & Friedrich, LLC

(57) **CLAIM**

The ornamental design for an electrical connector, as shown and described.

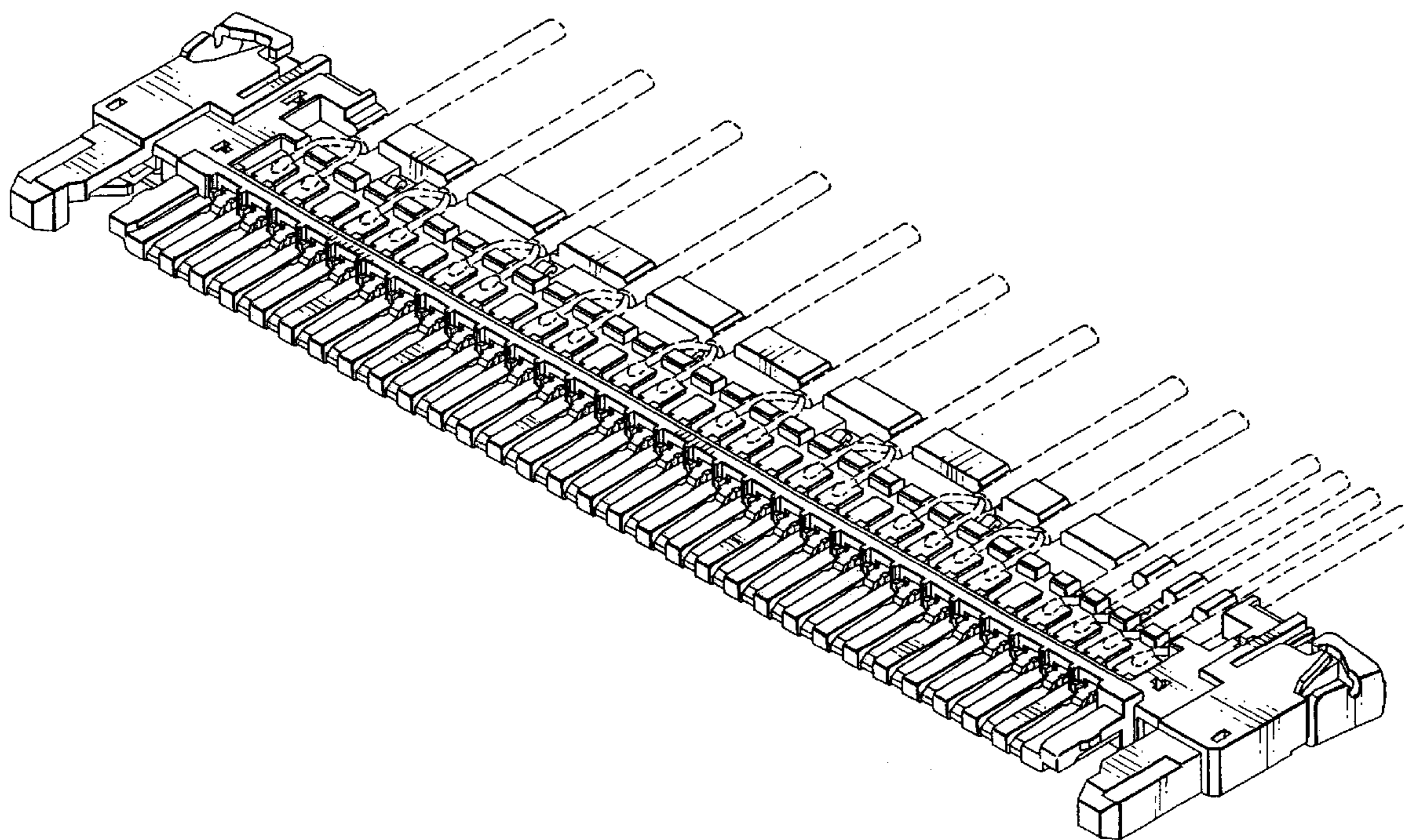
DESCRIPTION

FIG. 1 is a front elevational view of an electrical connector; FIG. 2 is a top plan view thereof; FIG. 3 is a bottom plan view thereof; FIG. 4 is a right side elevational view thereof; FIG. 5 is a rear elevational view thereof; and, FIG. 6 is a perspective view of the front and right side thereof.

A left side elevational view of the electrical connector is omitted because it is presented symmetrical to the right side elevational view of FIG. 4.

Wires used with the electrical connector are drawn by dashed lines and form no part of the claimed design.

1 Claim, 5 Drawing Sheets



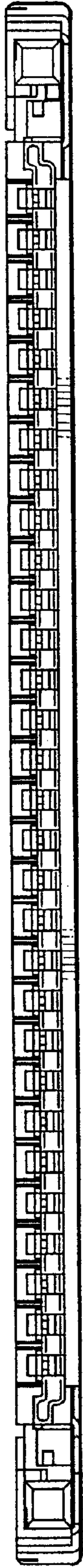


FIG. 1

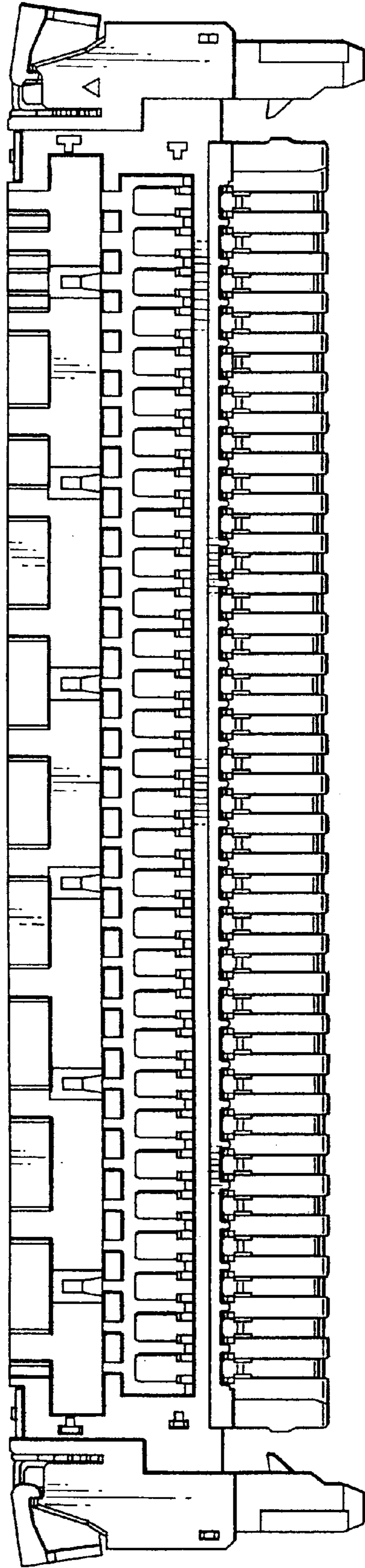


FIG. 2

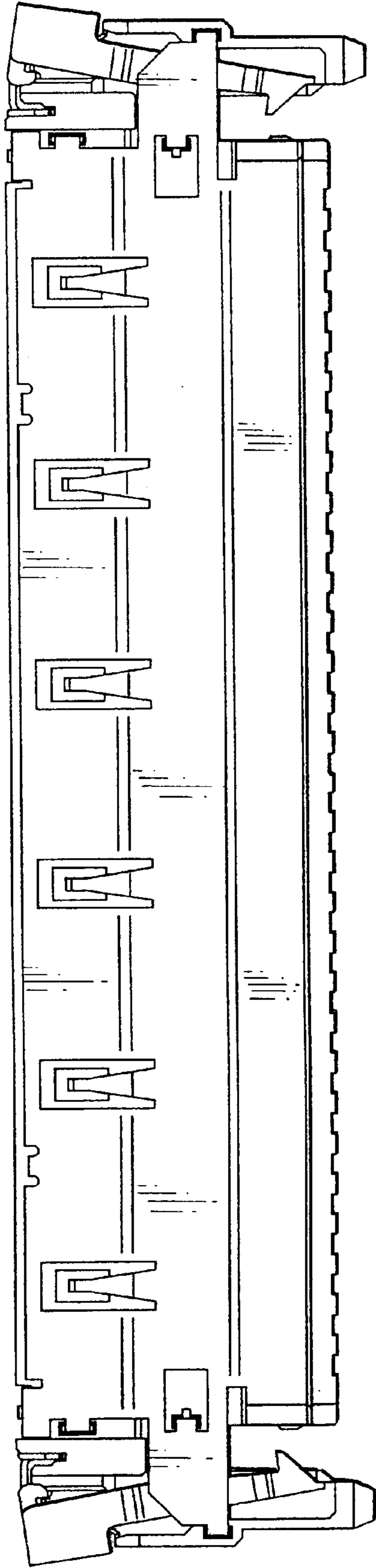


FIG. 3



FIG. 4

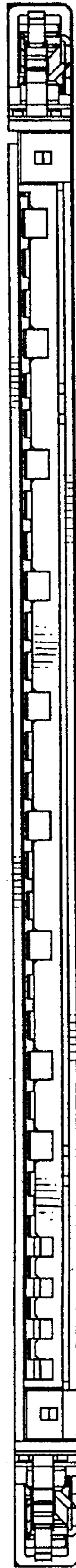


FIG. 5

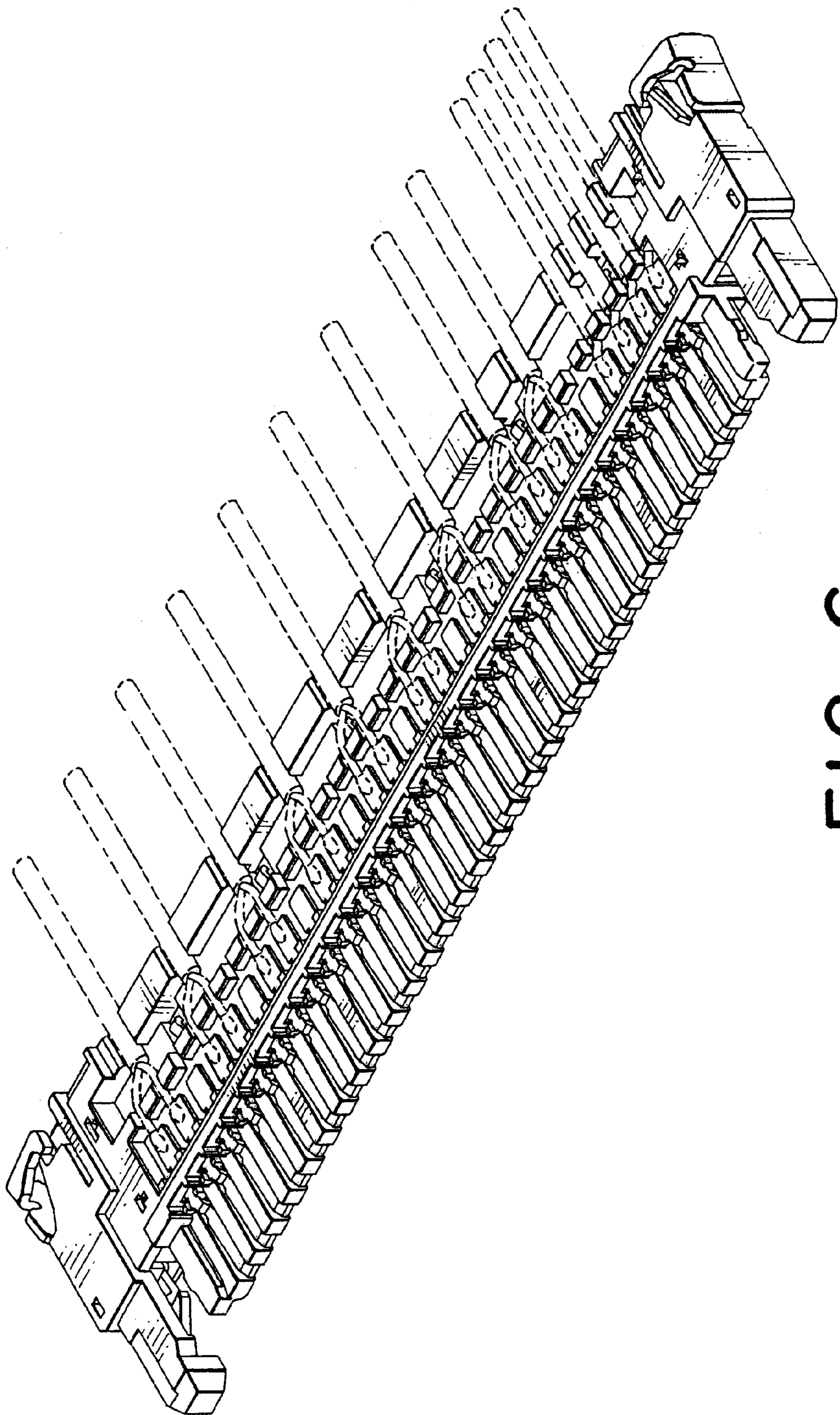


FIG. 6