



US00D489330S

(12) **United States Design Patent**  
**Li et al.**

(10) **Patent No.:** **US D489,330 S**

(45) **Date of Patent:** **\*\* May 4, 2004**

(54) **ELECTRICAL CONNECTOR**

(75) Inventors: **Chunsheng Li**, Kunsan (CN); **Qiang Chen**, Kunsan (CN)

(73) Assignee: **Hon Hai Precision Ind. Co., Ltd.**,  
Taipei Hsien (TW)

(\*\*) Term: **14 Years**

(21) Appl. No.: **29/164,594**

(22) Filed: **Jul. 26, 2002**

(51) **LOC (7) Cl.** ..... **13-03**

(52) **U.S. Cl.** ..... **D13/147**

(58) **Field of Search** ..... D13/147; 439/62,  
439/260, 329, 395, 495, 422, 499

(56) **References Cited**

**U.S. PATENT DOCUMENTS**

- 4,367,006 A \* 1/1983 Rehbogen, Jr. et al. .... 439/495
- 6,083,046 A \* 7/2000 Wu et al. .... 439/607
- D451,475 S \* 12/2001 Shi et al. .... D13/147

- D451,887 S \* 12/2001 Yu et al. .... D13/147
- 6,375,498 B1 \* 4/2002 Yu et al. .... 439/567
- 6,416,360 B1 \* 7/2002 Zhang et al. .... 439/607
- D467,549 S \* 12/2002 Wu ..... D13/147
- 2002/0081900 A1 \* 6/2002 Yu et al. .... 439/567

\* cited by examiner

*Primary Examiner*—Joel Sincavage

(74) *Attorney, Agent, or Firm*—Wei Te Chung

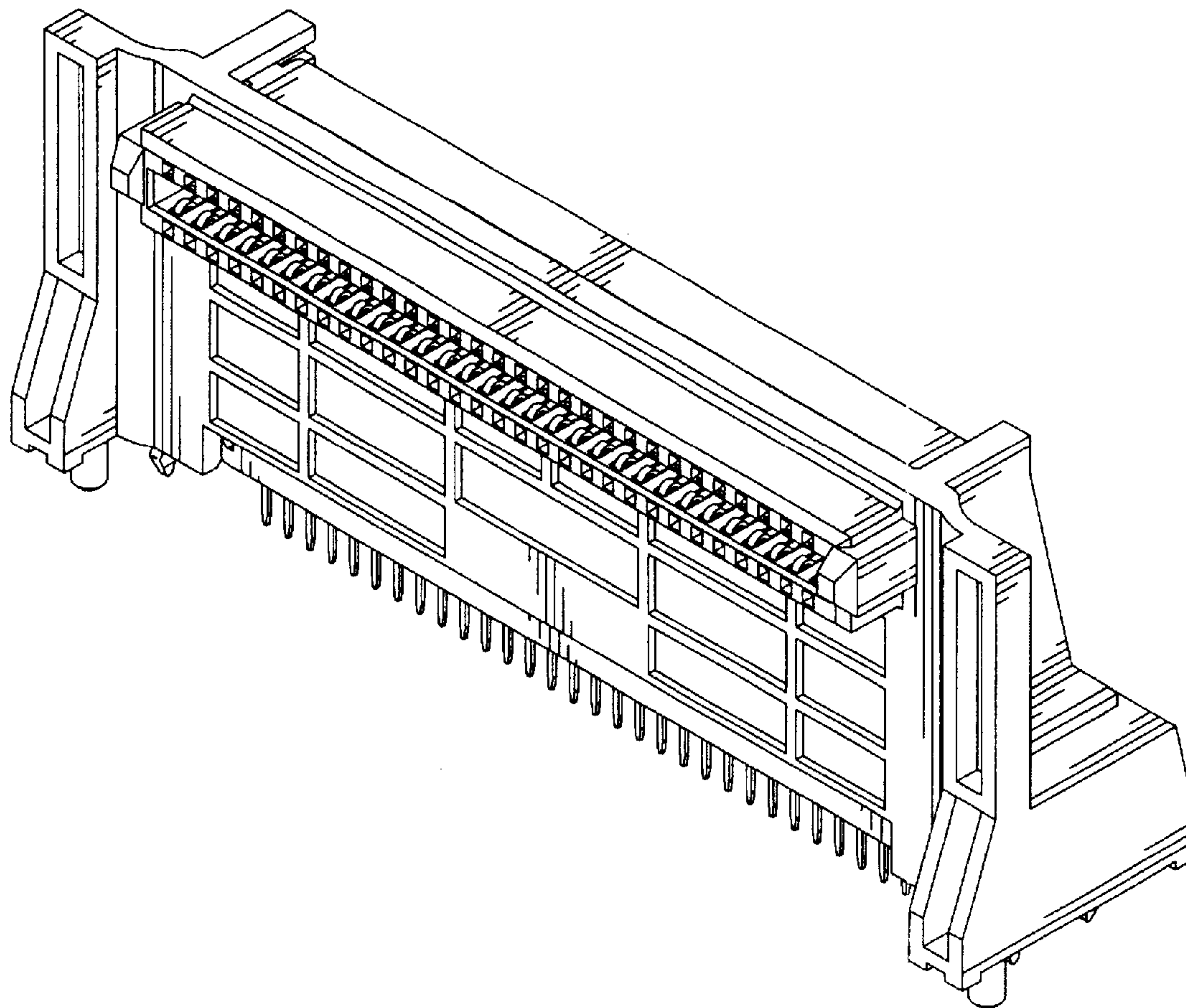
(57) **CLAIM**

The ornamental design for an electrical connector, as shown.

**DESCRIPTION**

FIG. 1 is a front, top and right side perspective view of an electrical connector showing our new design; FIG. 2 is a front elevational view thereof; FIG. 3 is a rear elevational view thereof; FIG. 4 is a left side elevational view thereof; FIG. 5 is a right side elevational view thereof; FIG. 6 is a top plan view thereof; and, FIG. 7 is a bottom plan view thereof.

**1 Claim, 4 Drawing Sheets**



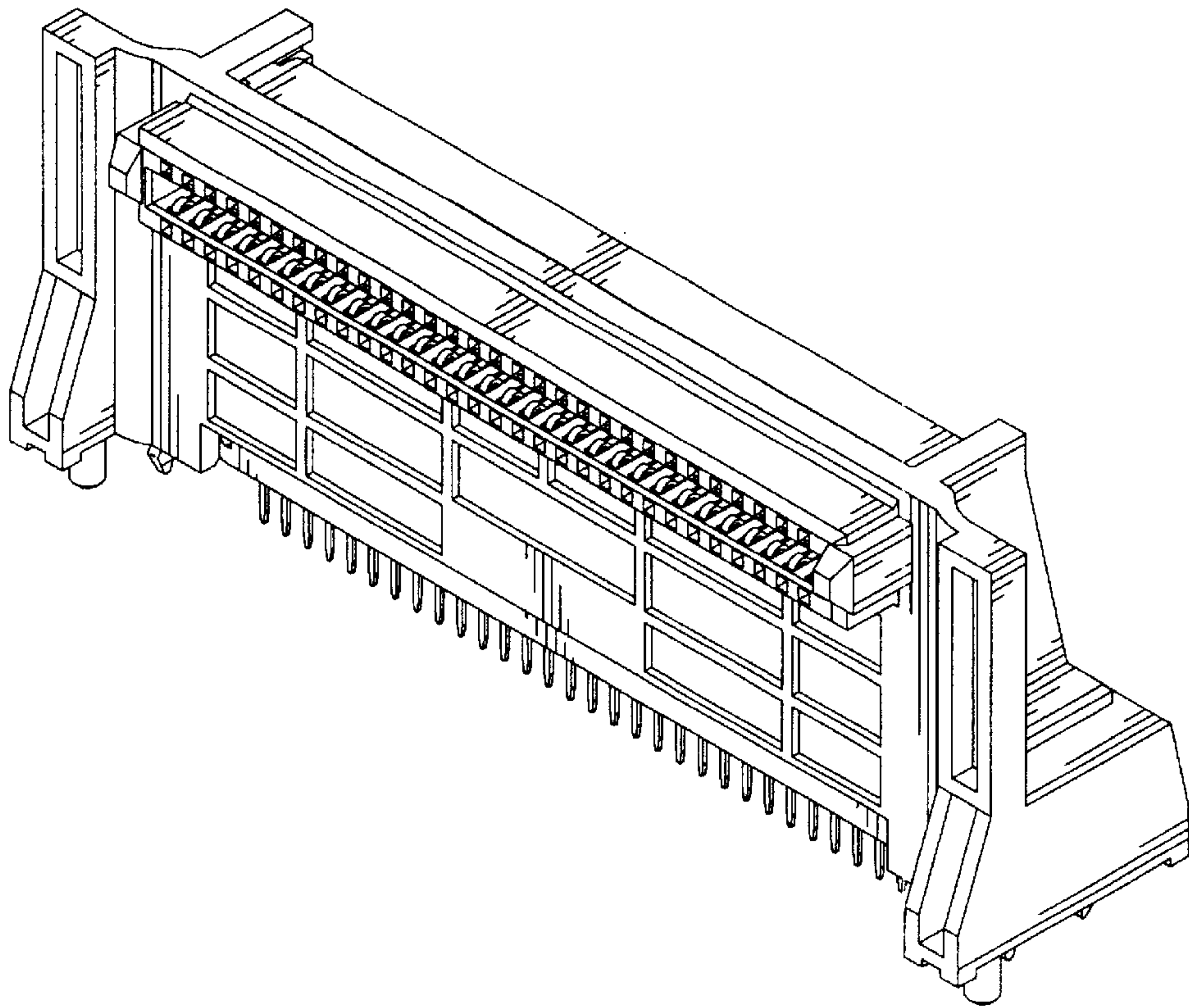


FIG. 1

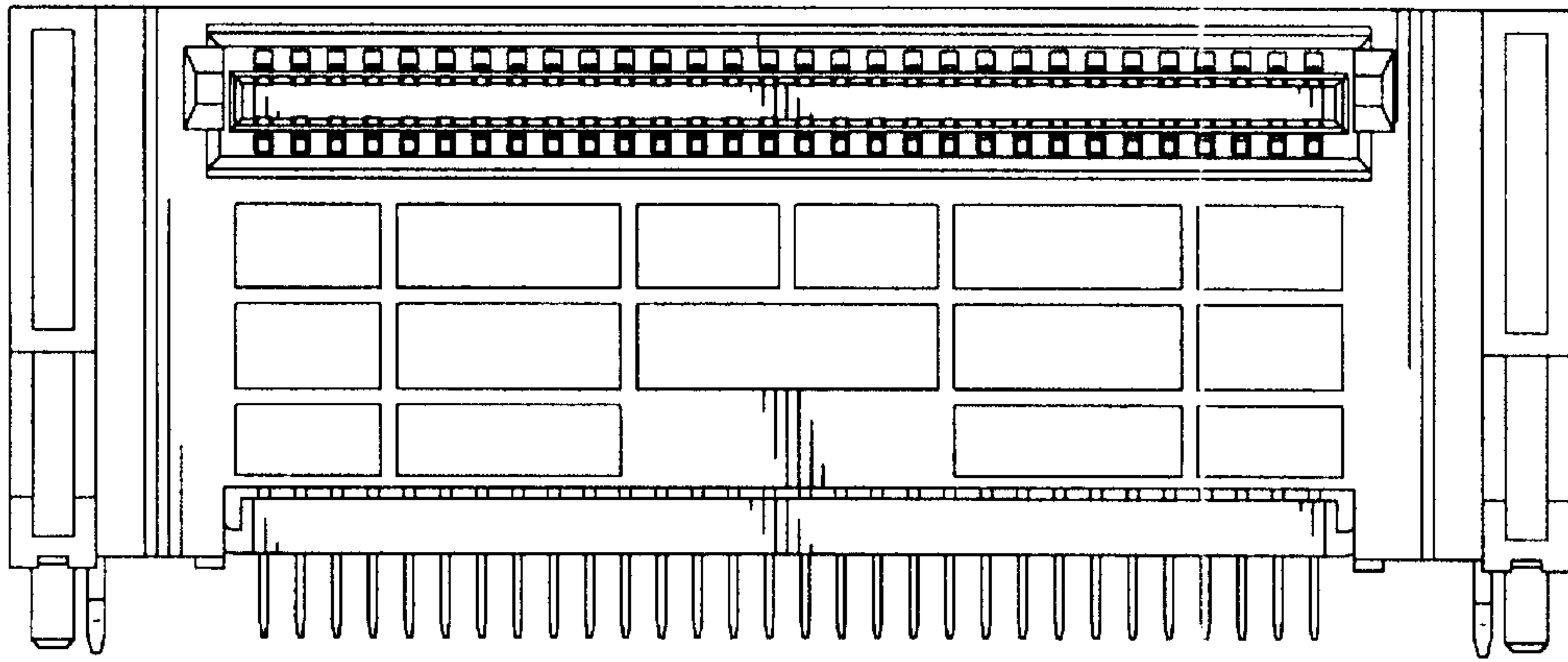


FIG. 2

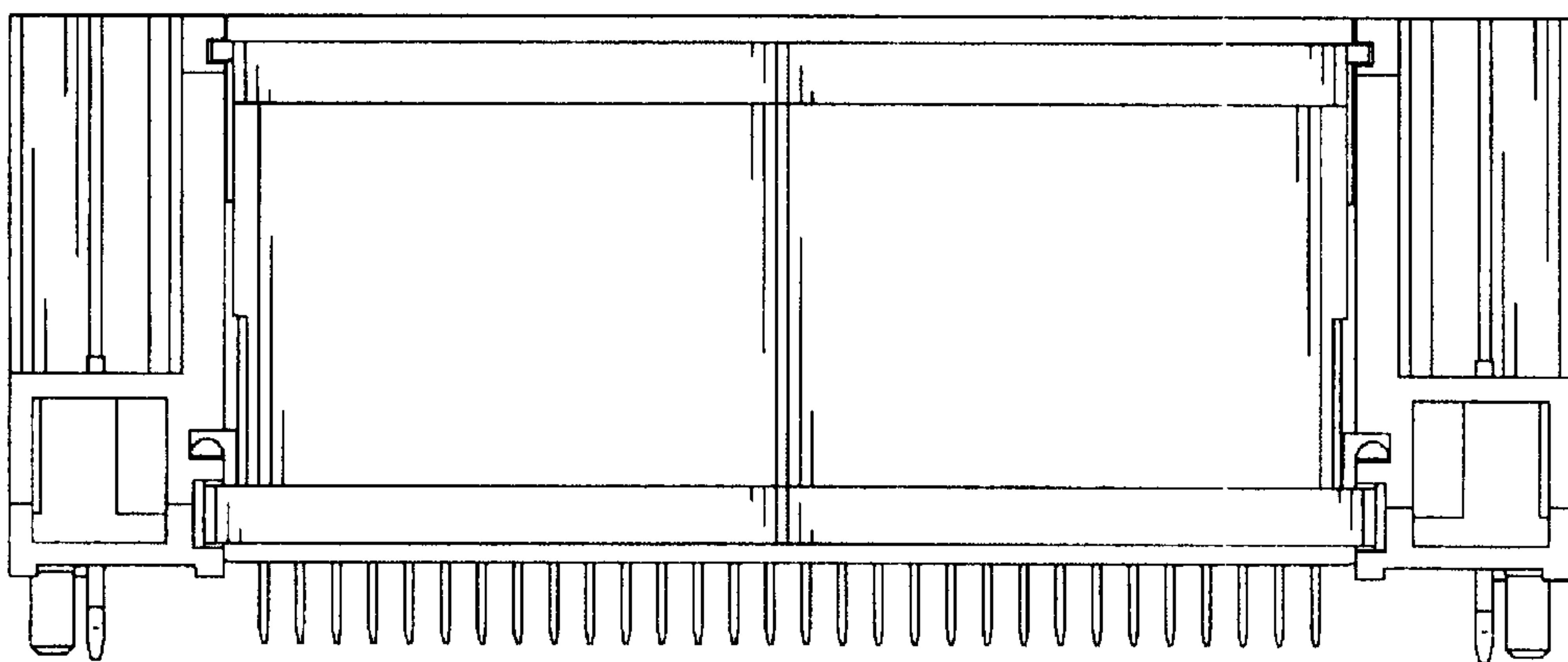


FIG. 3

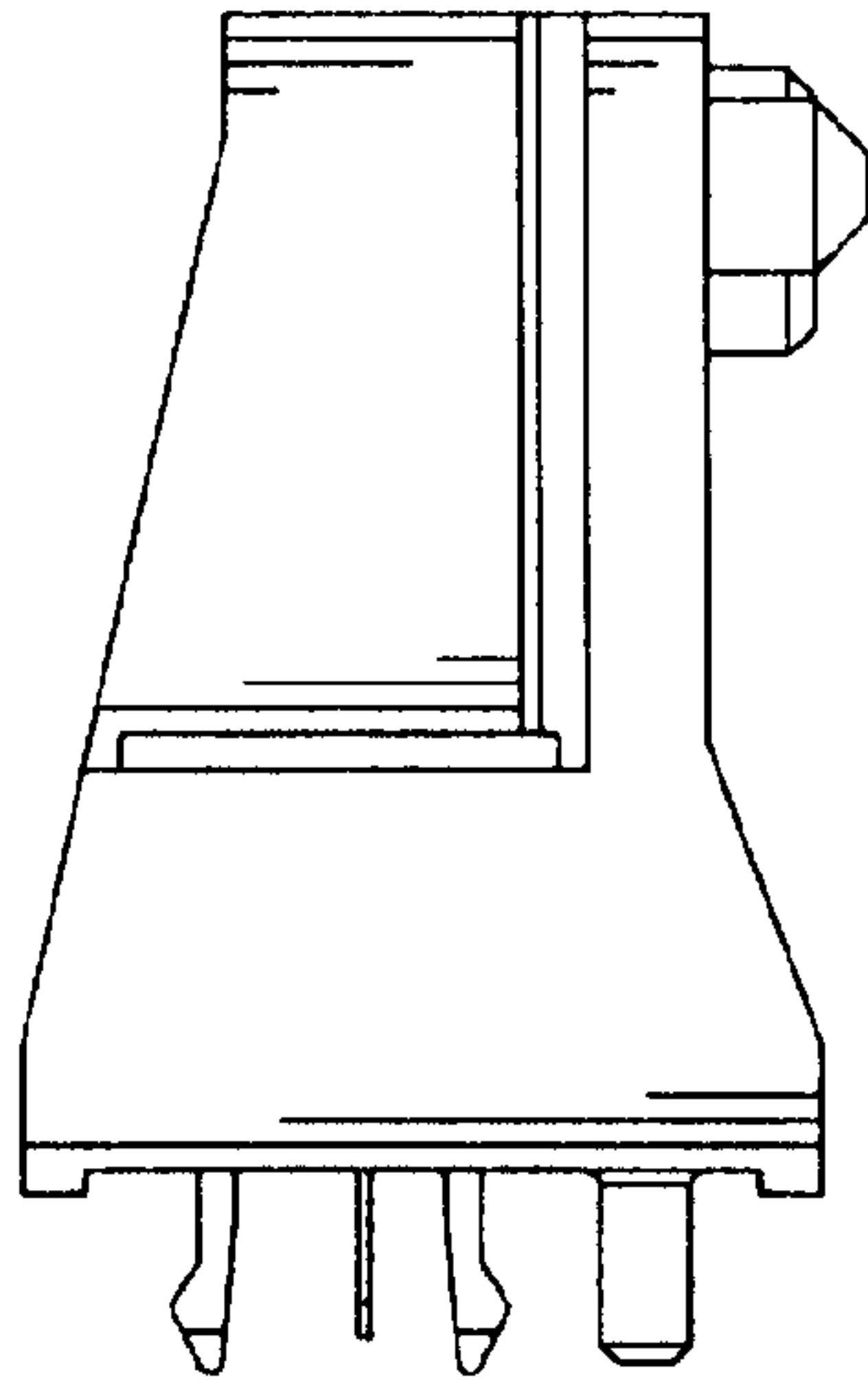


FIG. 4

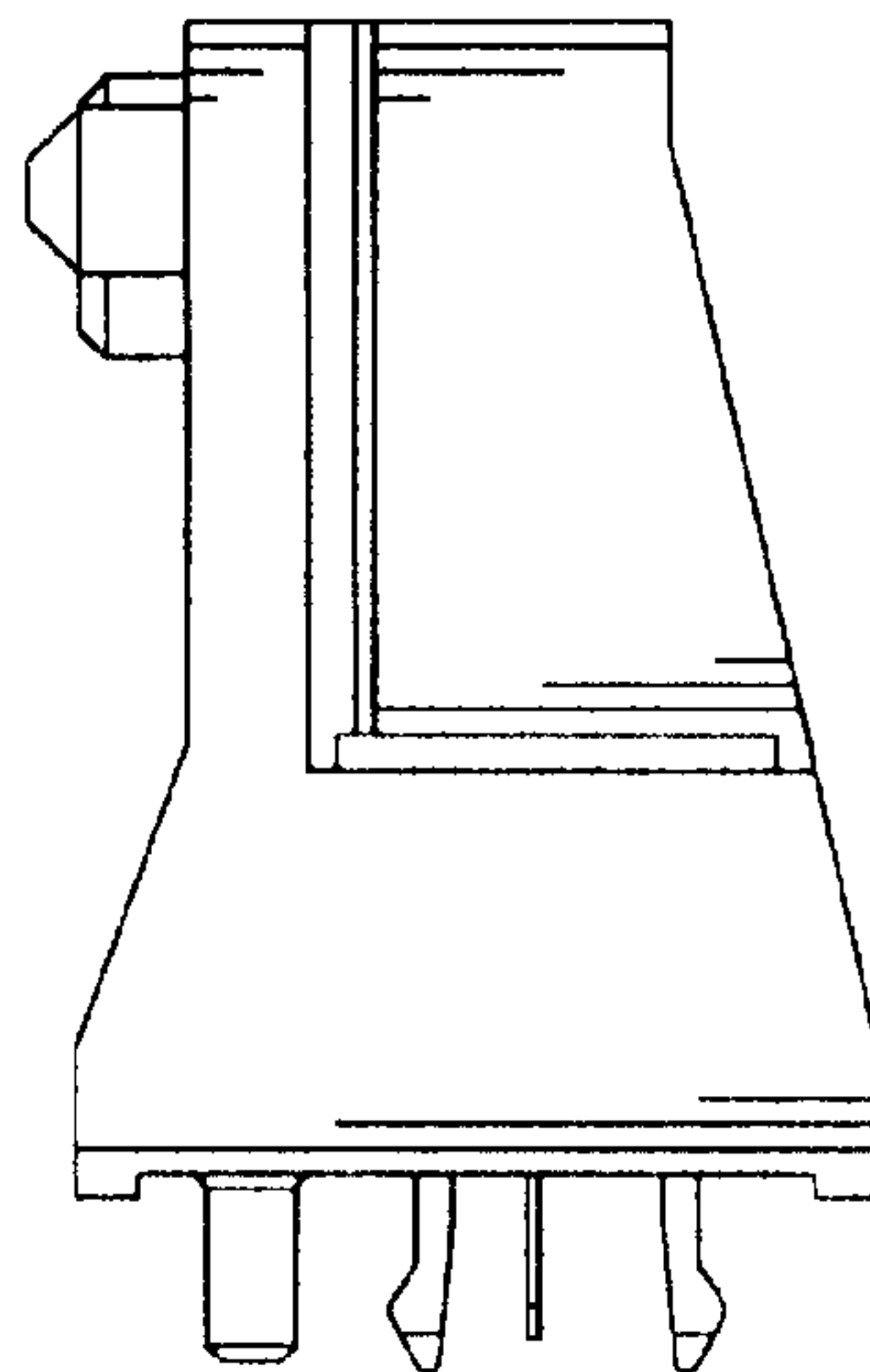


FIG. 5

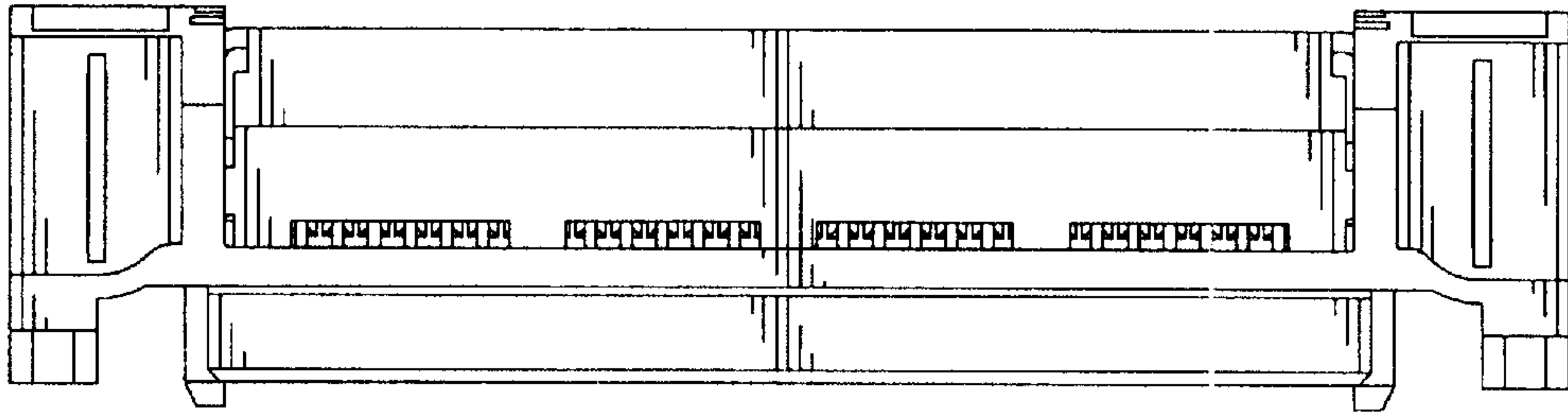


FIG. 6

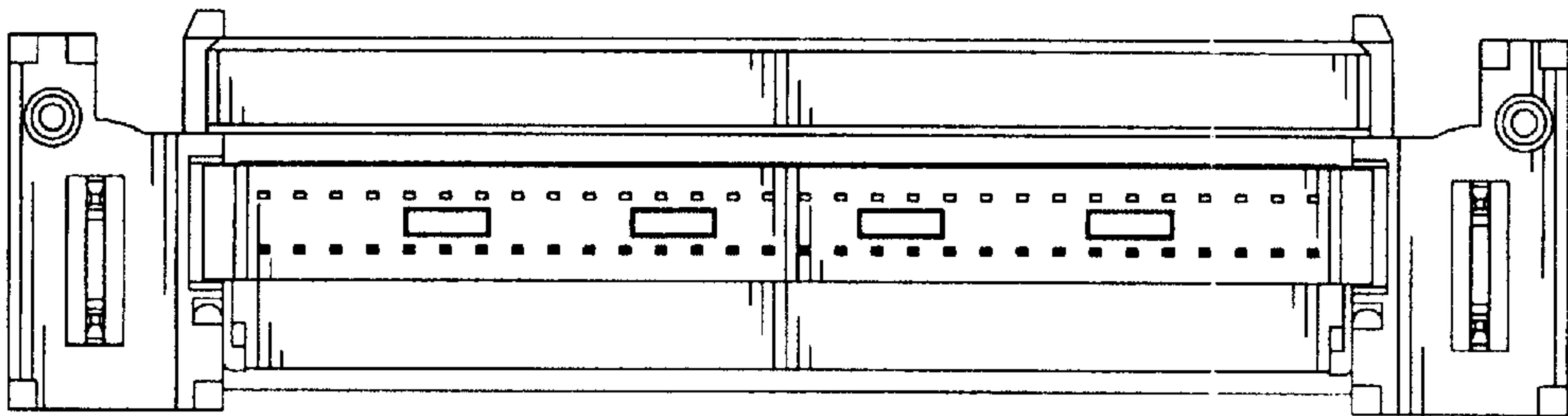


FIG. 7