



US00D489329S

(12) **United States Design Patent**
Shatkin

(10) **Patent No.:** **US D489,329 S**

(45) **Date of Patent:** **** May 4, 2004**

(54) **ELECTRIC PLUG FOR A POWER CORD**

2002/0055306 A1 * 5/2002 Jenks 439/855

(75) Inventor: **Louis Shatkin**, Warwick, RI (US)

* cited by examiner

(73) Assignee: **Tower Manufacturing Corporation**,
Providence, RI (US)

Primary Examiner—Joel Sincavage

(74) *Attorney, Agent, or Firm*—Kriegsman & Kriegsman

(**) Term: **14 Years**

(57) **CLAIM**

(21) Appl. No.: **29/168,095**

The ornamental design for an electric plug for a power cord,
as shown and described.

(22) Filed: **Sep. 26, 2002**

DESCRIPTION

(51) **LOC (7) Cl.** **13-03**

(52) **U.S. Cl.** **D13/138.2**

(58) **Field of Search** D13/137.3, 138.2,
D13/154, 137.4, 138.1, 139.7; 439/106,
369, 651, 652, 622

FIG. 1 is a perspective view an electric plug for a power cord
showing my new design;

FIG. 2 is a front plan view of an electric plug for a power
cord;

FIG. 3 is a rear plan view of an electric plug for a power
cord;

FIG. 4 is a bottom plan view of an electric plug for a power
cord;

FIG. 5 is a top plan view of an electric plug for a power cord;

FIG. 6 is a left end view of an electric plug for a power cord;
and,

FIG. 7 is a right end view of an electric plug for a power
cord.

(56) **References Cited**

U.S. PATENT DOCUMENTS

3,943,310	A	*	3/1976	Gertz	D13/238.2
D357,459	S	*	4/1995	Warden	D13/138.2
5,643,012	A	*	7/1997	Mai et al.	439/622
D400,502	S	*	11/1998	Burwell et al.	D13/138.2
D400,503	S	*	11/1998	Burwell et al.	D13/138.2
D405,759	S	*	2/1999	Carmo et al.	D13/139.1

1 Claim, 2 Drawing Sheets

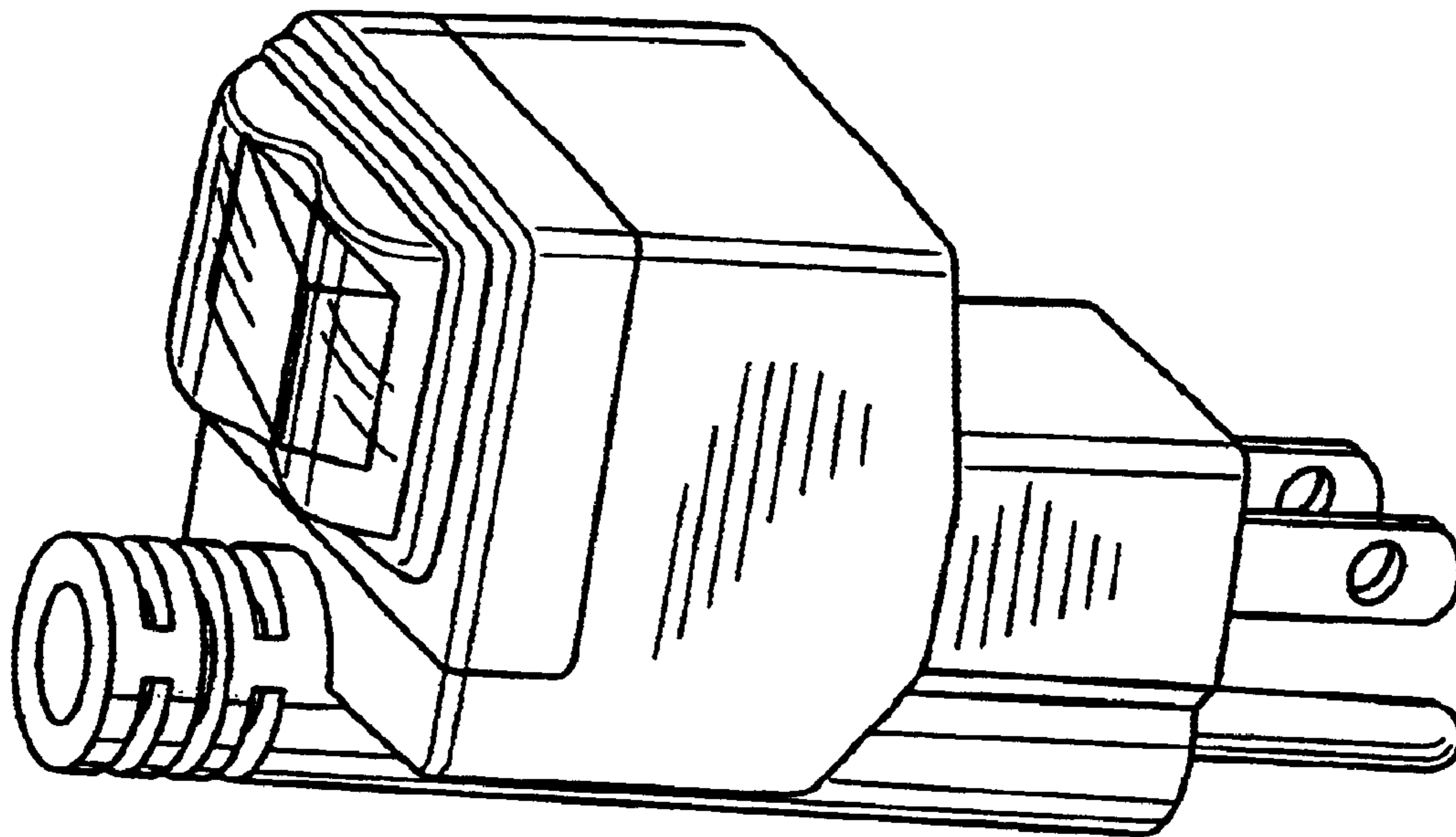


FIG. 1

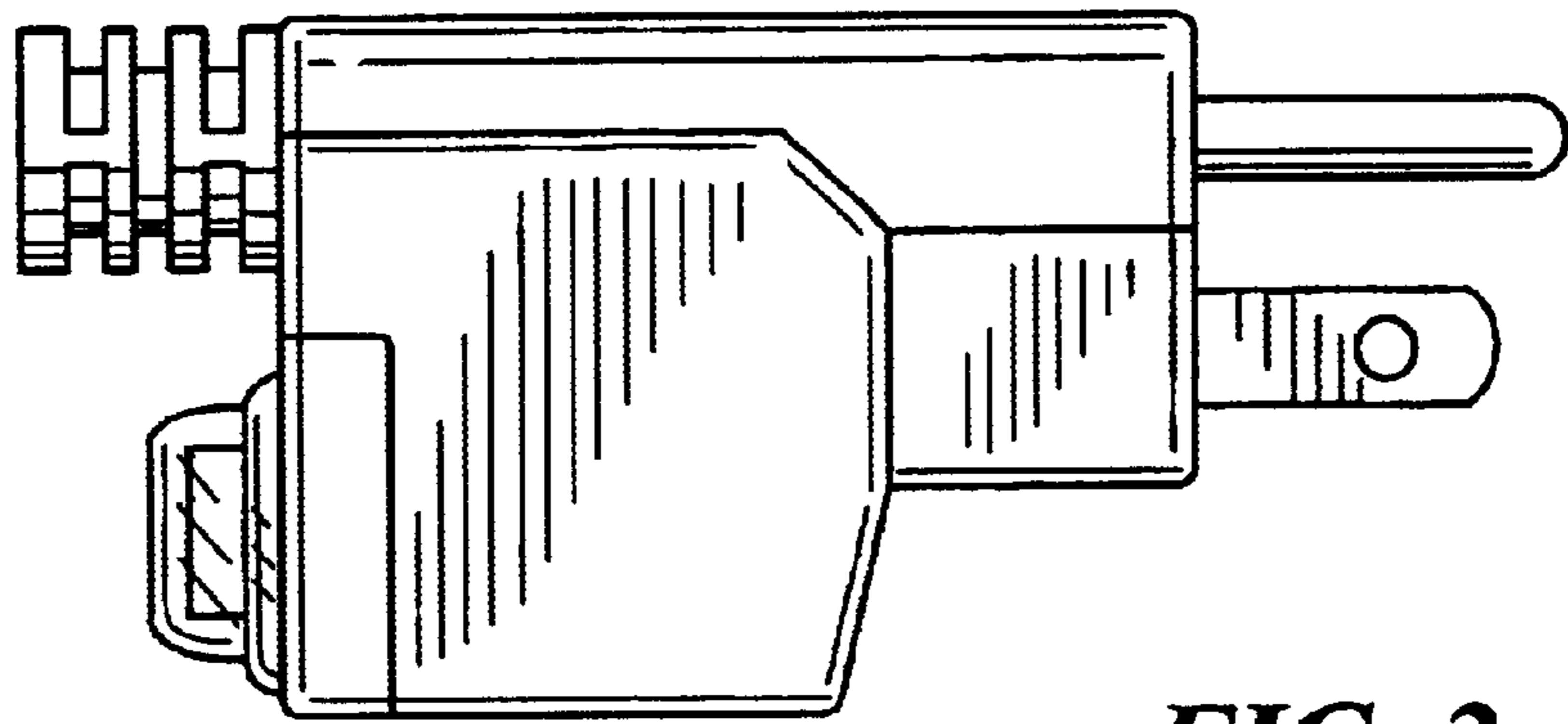
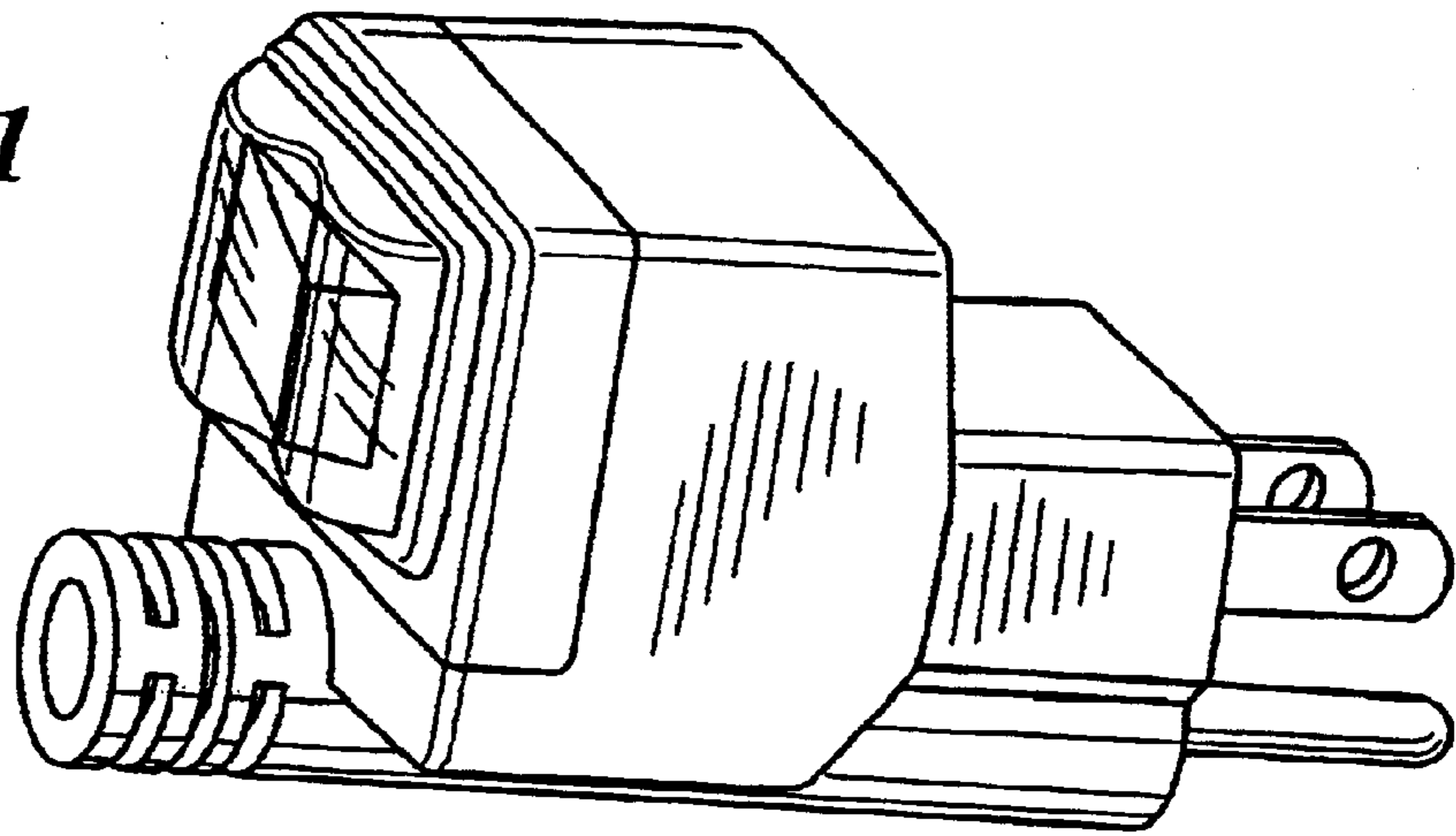


FIG. 2

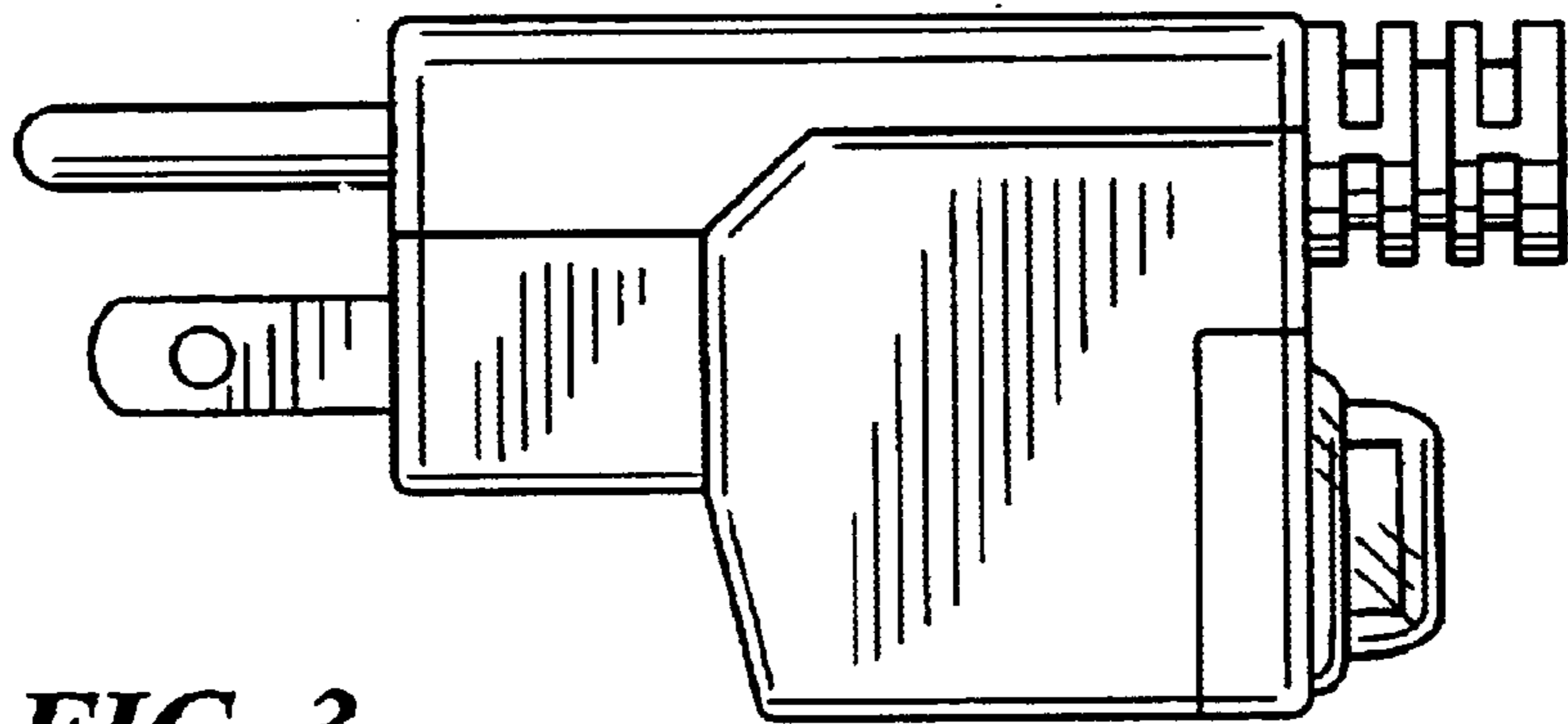


FIG. 3

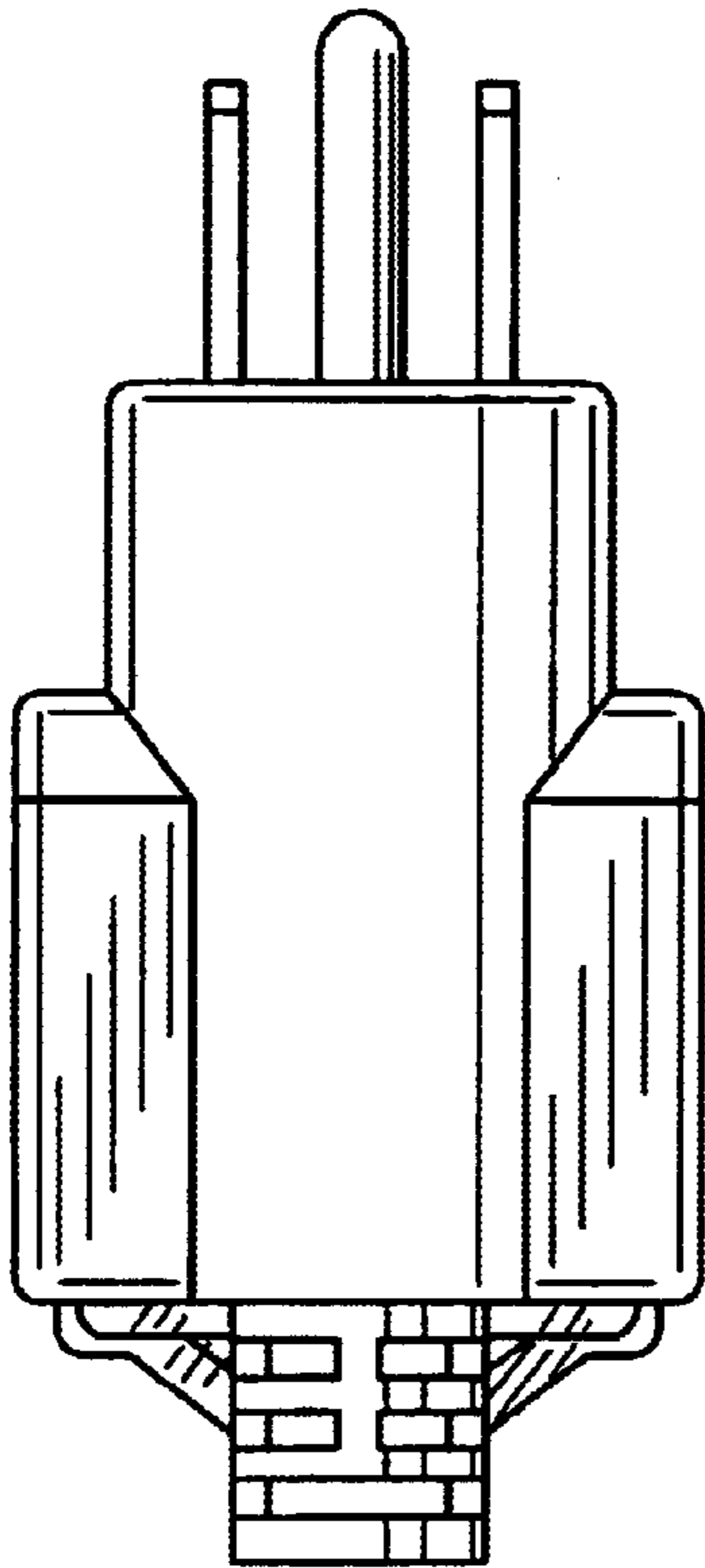


FIG. 4

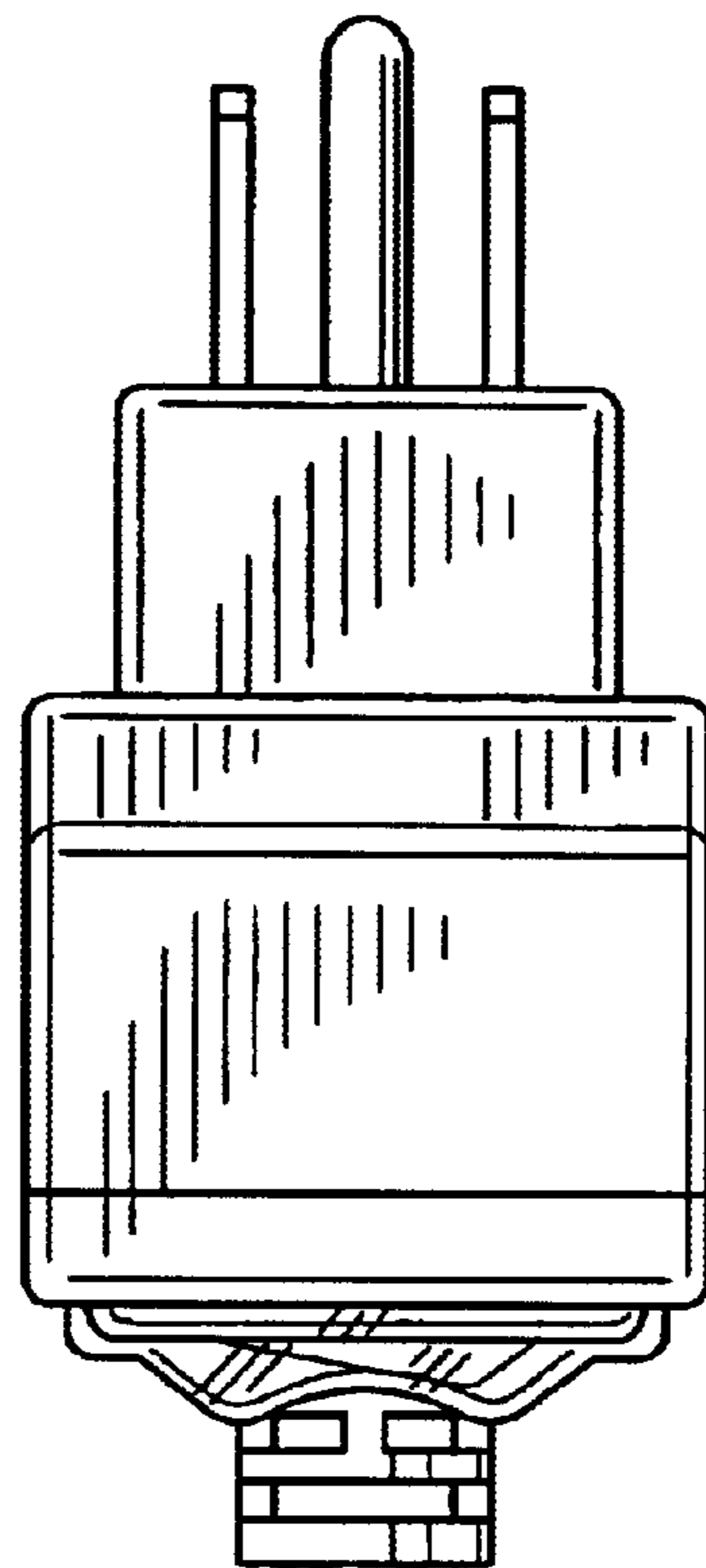


FIG. 5

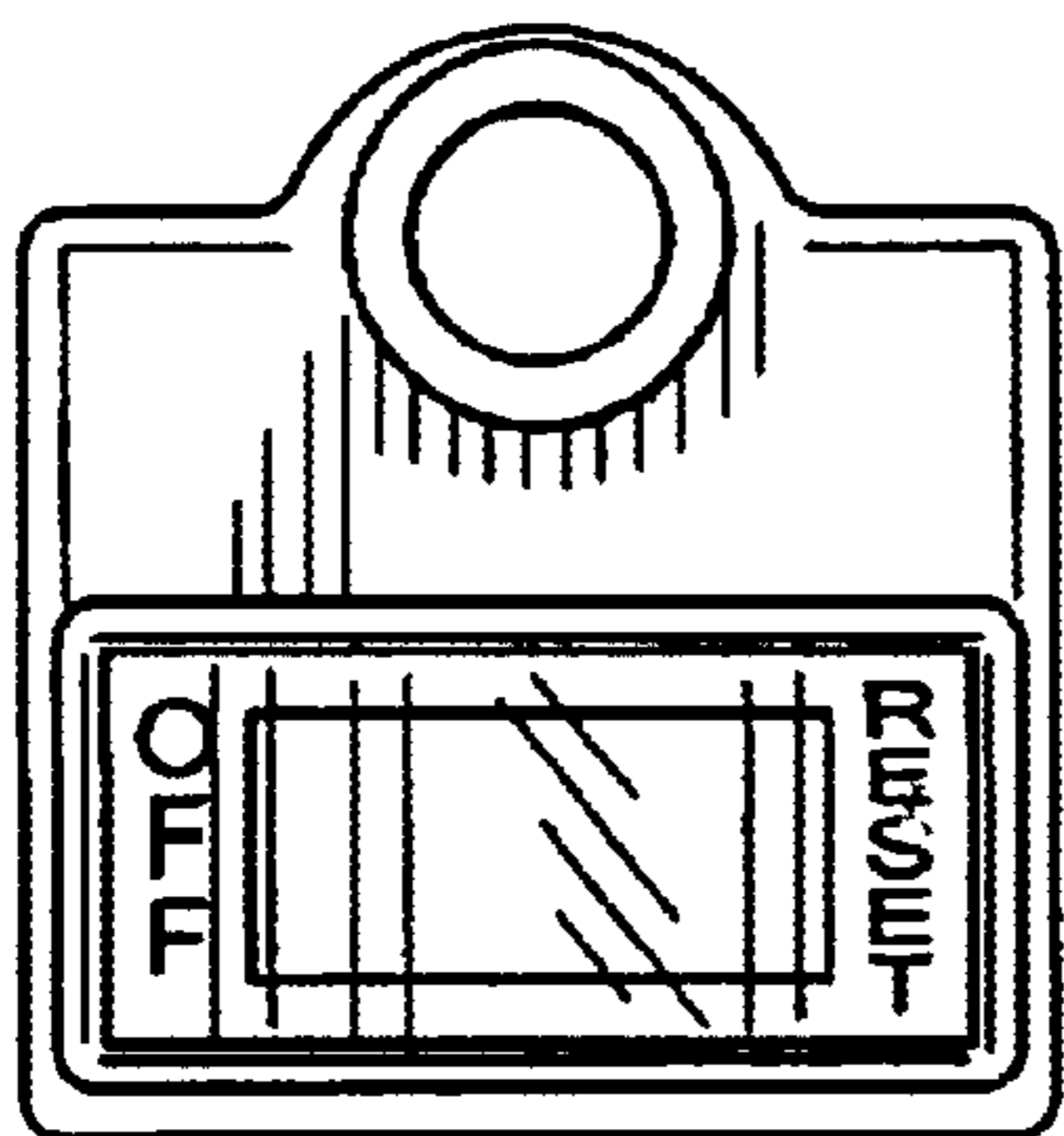


FIG. 6

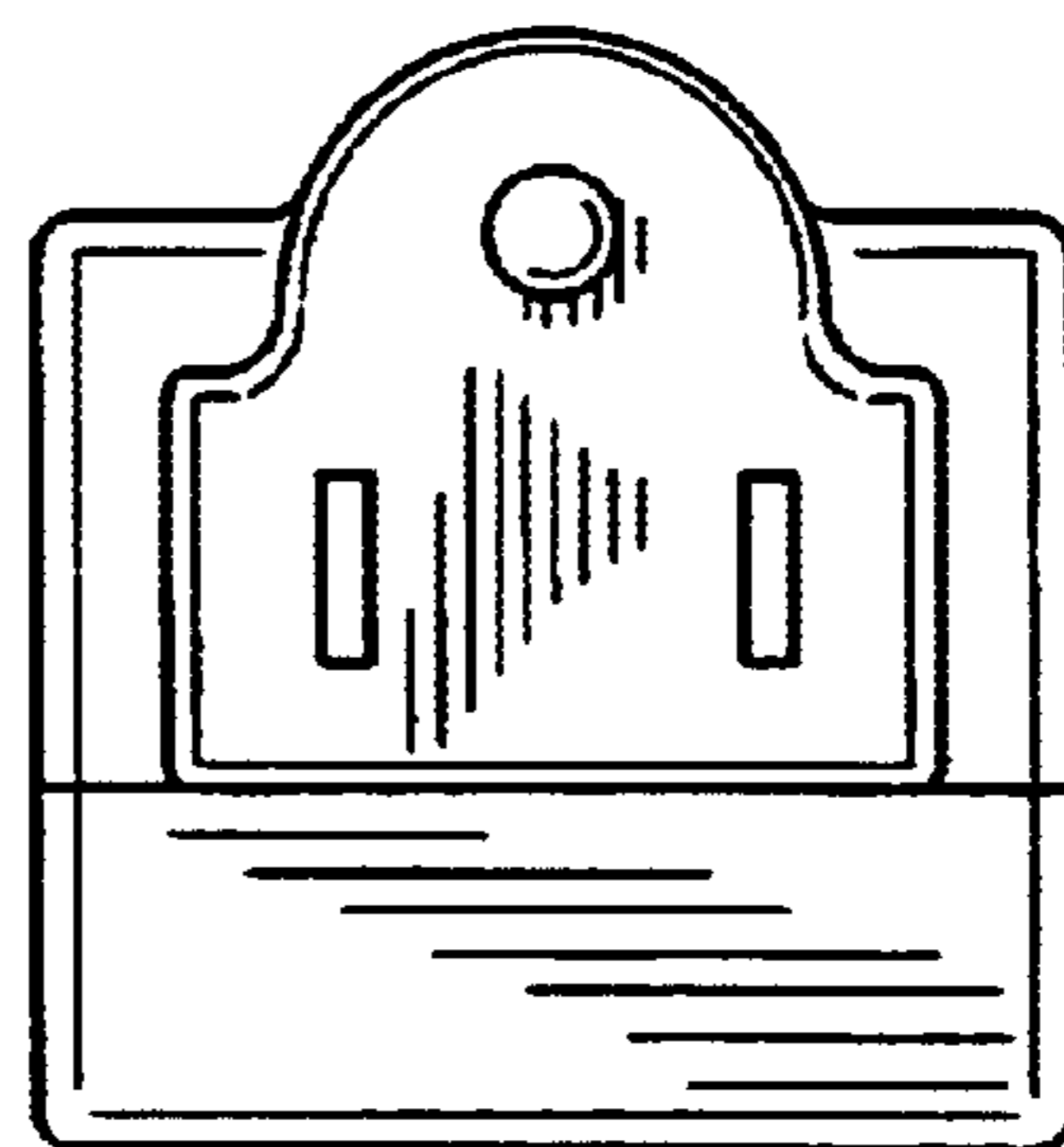


FIG. 7