



US00D489327S

(12) **United States Design Patent**
Imai

(10) **Patent No.:** **US D489,327 S**

(45) **Date of Patent:** **** May 4, 2004**

(54) **ENGINE OPERATED GENERATOR**

(75) **Inventor:** **Shuhei Imai, Saitama (JP)**

(73) **Assignee:** **Honda Giken Kogyo Kabushiki Kaisha, Tokyo (JP)**

(**) **Term:** **14 Years**

(21) **Appl. No.:** **29/179,849**

(22) **Filed:** **Apr. 16, 2003**

(30) **Foreign Application Priority Data**

Nov. 18, 2002 (JP) 2002-031656

(51) **LOC (7) Cl.** **13-01**

(52) **U.S. Cl.** **D13/116**

(58) **Field of Search** D13/110, 112,
D13/113, 114, 115, 116, 117, 118; 307/15;
320/101; 322/1

(56) **References Cited**

U.S. PATENT DOCUMENTS

- 2,630,537 A * 3/1953 Wiegman et al. 190/1 A
- D276,997 S * 1/1985 Mikado D13/116
- D277,285 S * 1/1985 Lopez D15/1

D277,954 S * 3/1985 Mizushima D13/114

D278,425 S * 4/1985 Toshihiko D13/116

D382,853 S * 8/1997 Crawford D13/112

D416,858 S * 11/1999 Domanski D13/114

D418,809 S * 1/2000 Frank D13/112

* cited by examiner

Primary Examiner—Philip S. Hyder

Assistant Examiner—Daniel Bui

(74) *Attorney, Agent, or Firm*—Westerman, Hattori,
Daniels & Adrian, LLP

(57) **CLAIM**

The ornamental design for an engine operated generator, as shown and described.

DESCRIPTION

FIG. 1 is a front elevation view of engine operated generator, showing my new design;

FIG. 2 is a rear elevation view thereof;

FIG. 3 is a top plan view thereof;

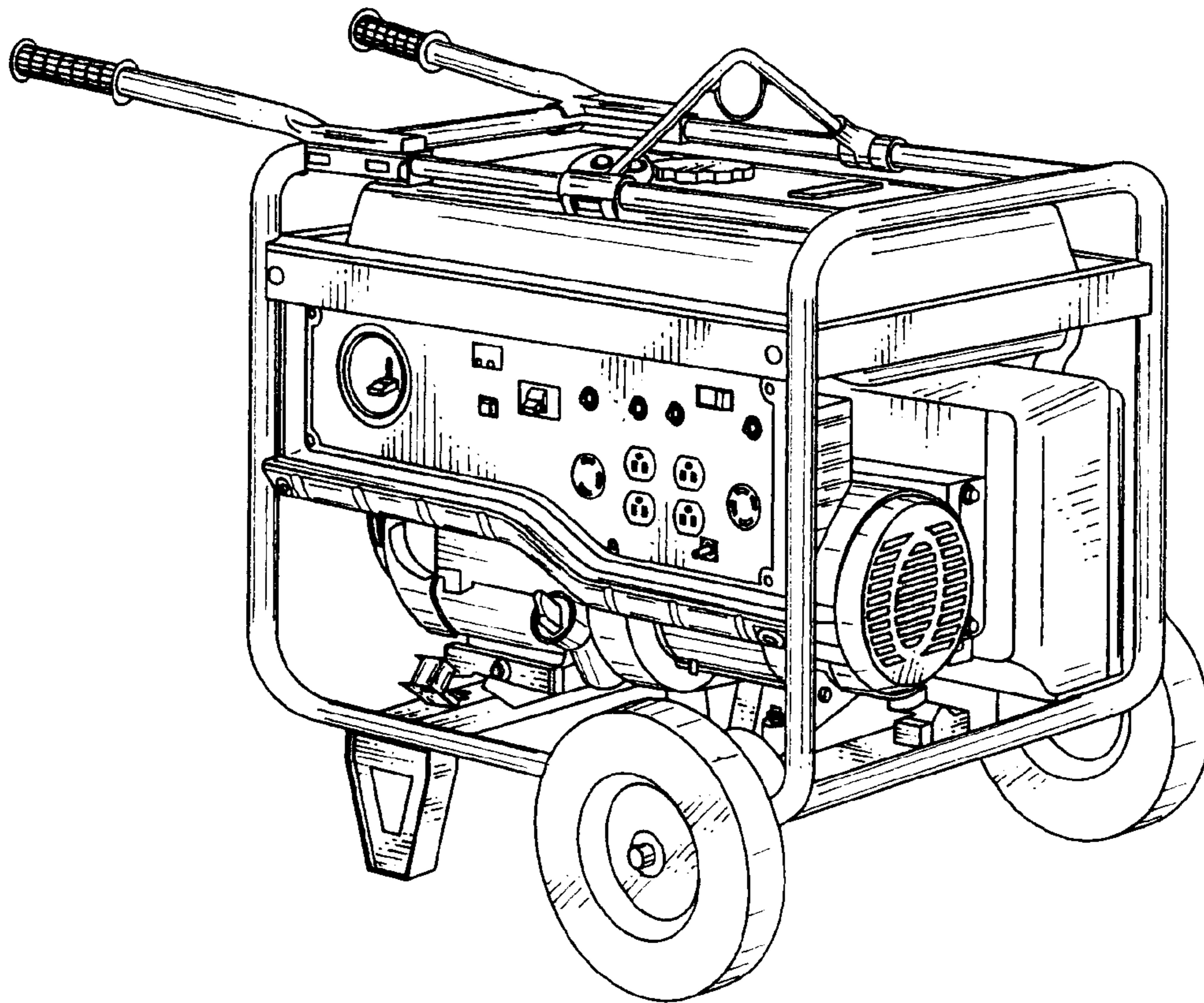
FIG. 4 is a right side elevation view thereof;

FIG. 5 is a left side elevation view thereof;

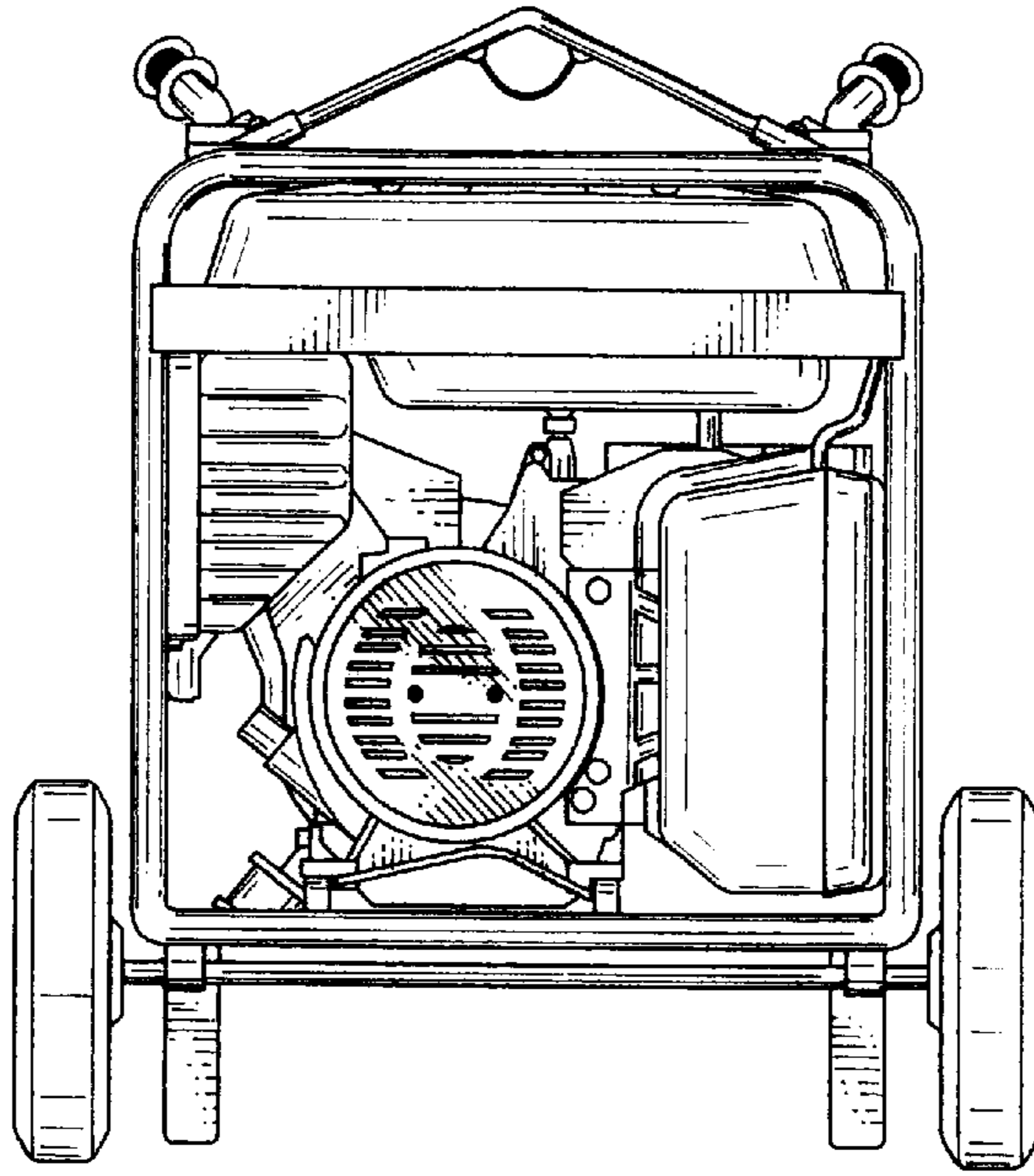
FIG. 6 is a front perspective view thereof; and,

FIG. 7 is a rear perspective view thereof.

1 Claim, 4 Drawing Sheets



F I G. 1



F I G. 2

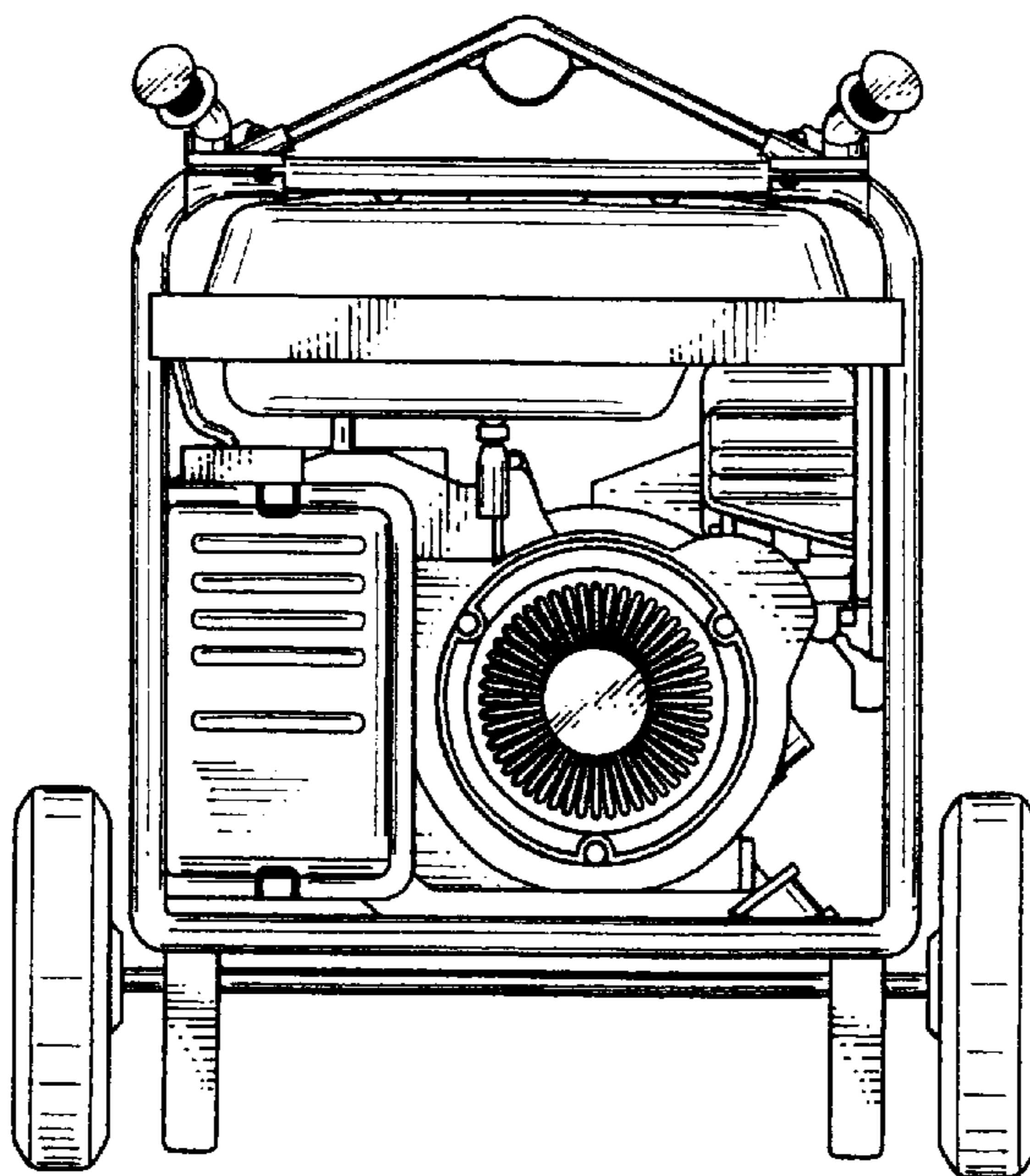
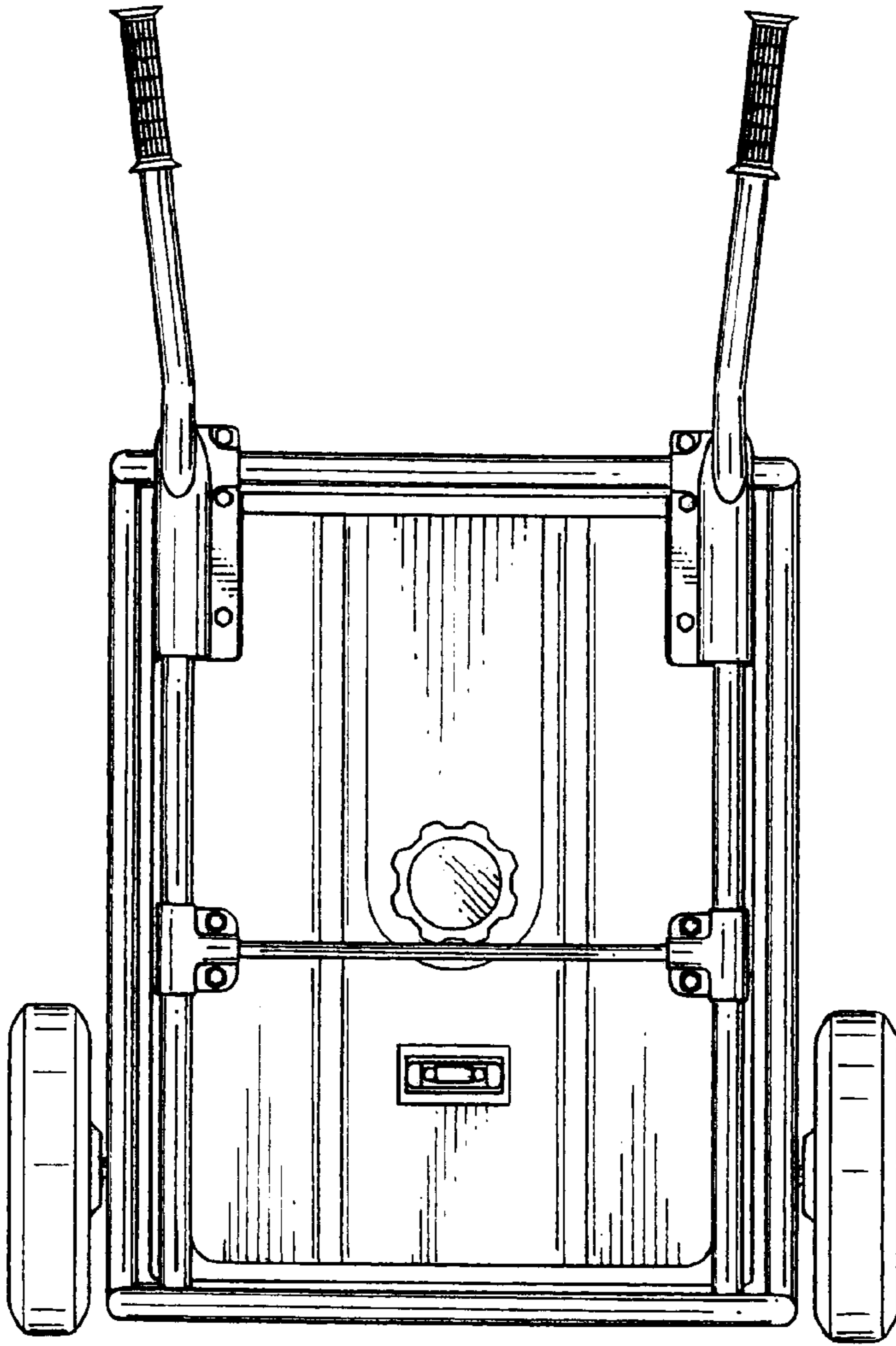
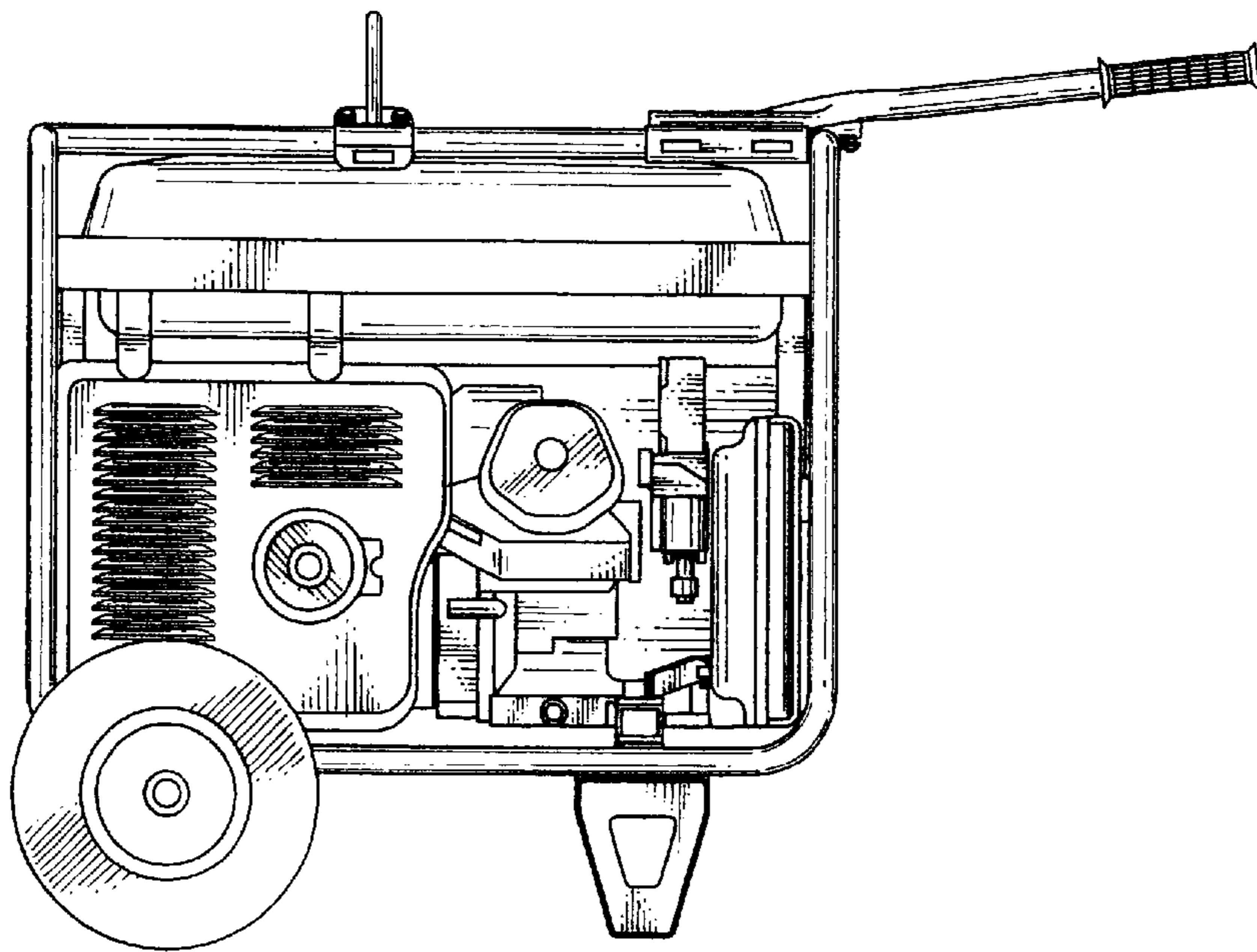


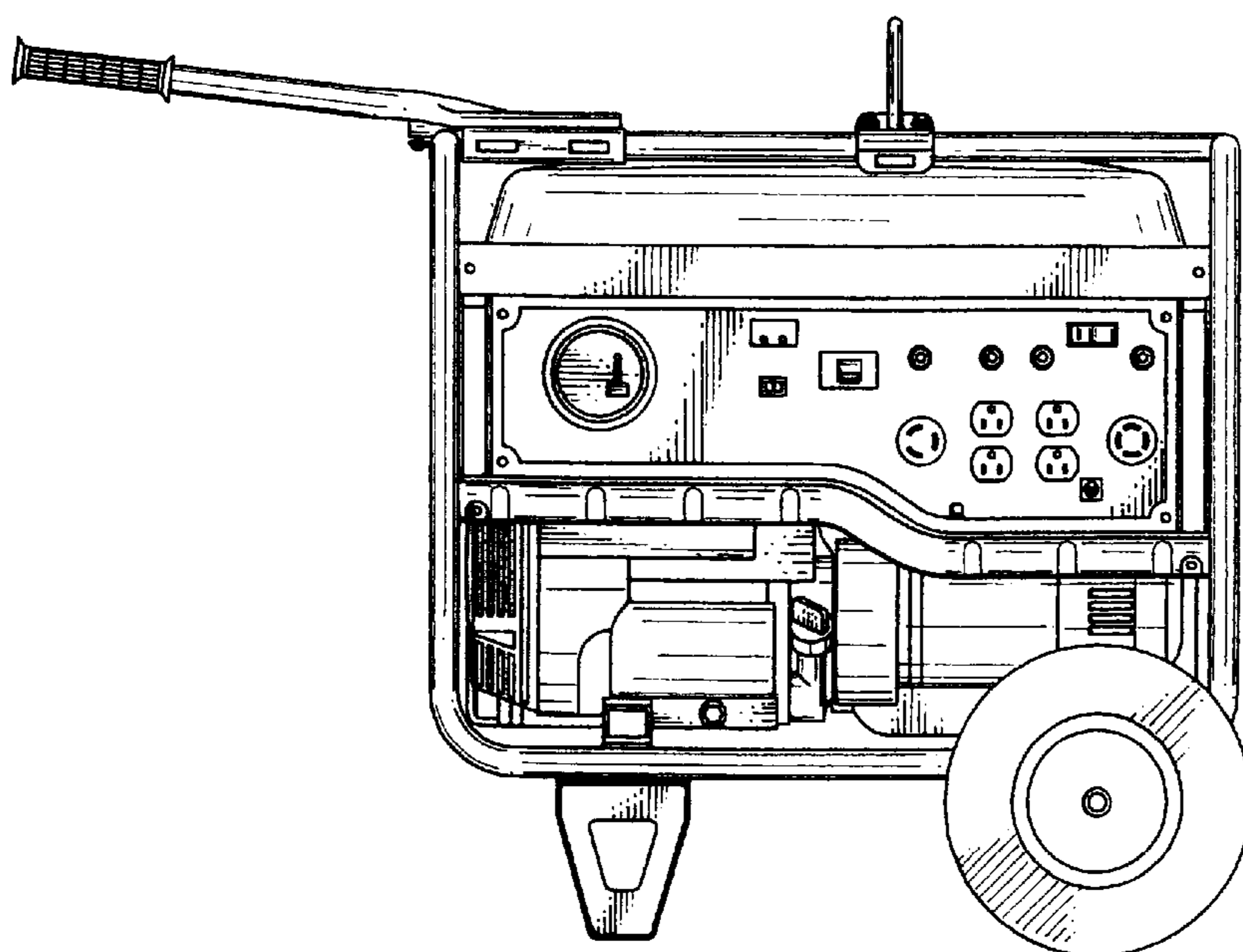
FIG. 3



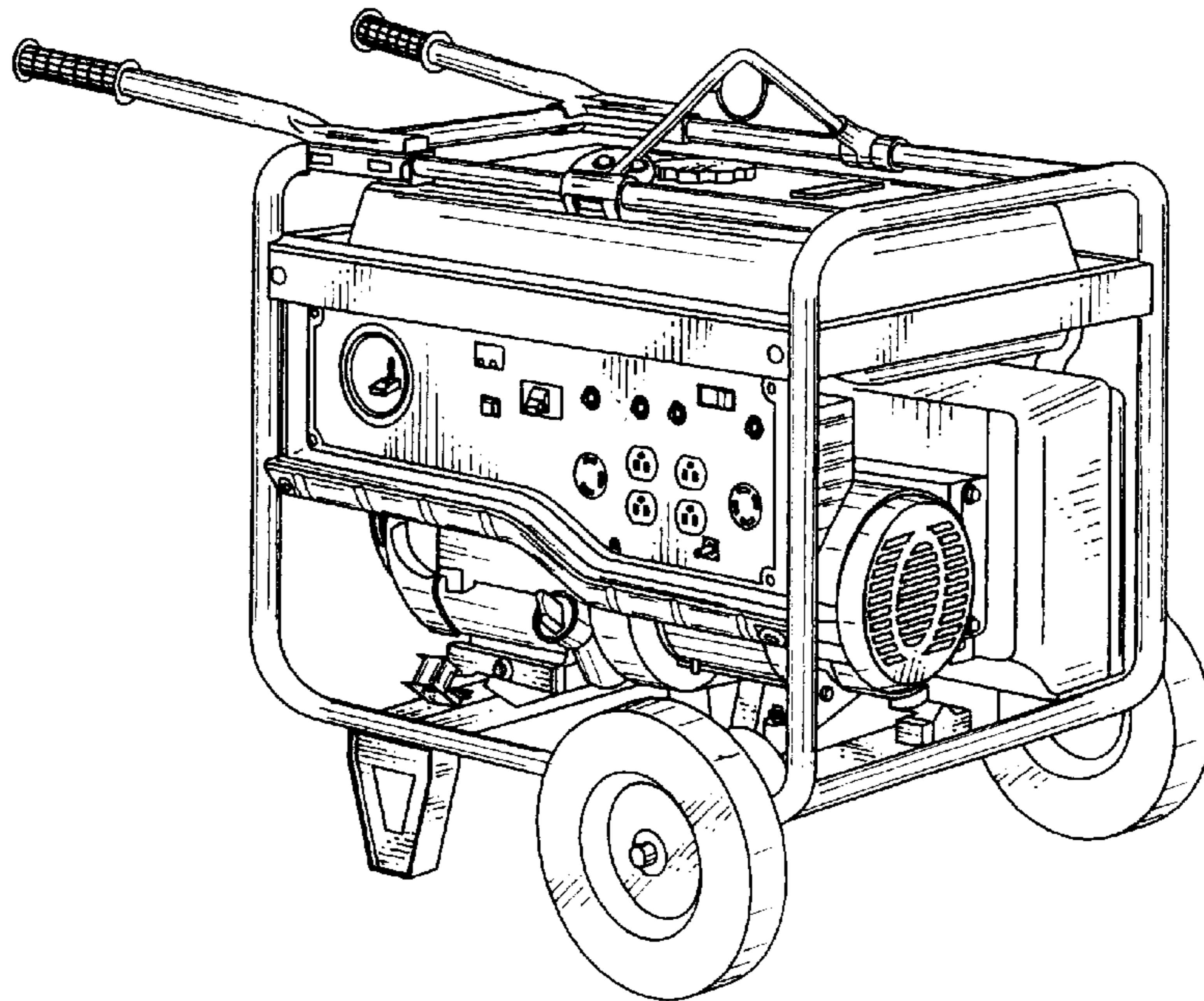
F I G. 4



F I G. 5



F I G. 6



F I G. 7

