



US00D489326S

(12) **United States Design Patent**  
**Nazar**

(10) **Patent No.:** **US D489,326 S**

(45) **Date of Patent:** **\*\* May 4, 2004**

(54) **POWER ADAPTER**

(75) **Inventor:** **David Nazar**, Los Angeles, CA (US)

(73) **Assignee:** **Hypercel Corporation**, Valencia, CA (US)

(\*\*) **Term:** **14 Years**

(21) **Appl. No.:** **29/178,504**

(22) **Filed:** **Mar. 27, 2003**

(51) **LOC (7) Cl.** ..... **13-02**

(52) **U.S. Cl.** ..... **D13/110**

(58) **Field of Search** ..... D13/101, 110,  
D13/112, 114, 107, 144; 439/483, 488,  
489, 490, 622, 668, 669, 675

(56) **References Cited**

**U.S. PATENT DOCUMENTS**

- D345,960 S \* 4/1994 Boyd et al. .... D13/144
- D348,250 S \* 6/1994 Shababy ..... D13/144
- D362,657 S \* 9/1995 Tomikawa et al. .... D13/144
- D409,568 S \* 5/1999 Lindahl ..... D13/144

- D471,517 S \* 3/2003 Nazar ..... D13/110
- D481,355 S \* 10/2003 Lee ..... D13/108
- D482,325 S \* 11/2003 Suomalainen et al. .... D13/108

\* cited by examiner

*Primary Examiner*—Philip S. Hyder

*Assistant Examiner*—Daniel Bui

(74) *Attorney, Agent, or Firm*—Andrew B. Katz, Esq.; Fox, Rothschild LLP

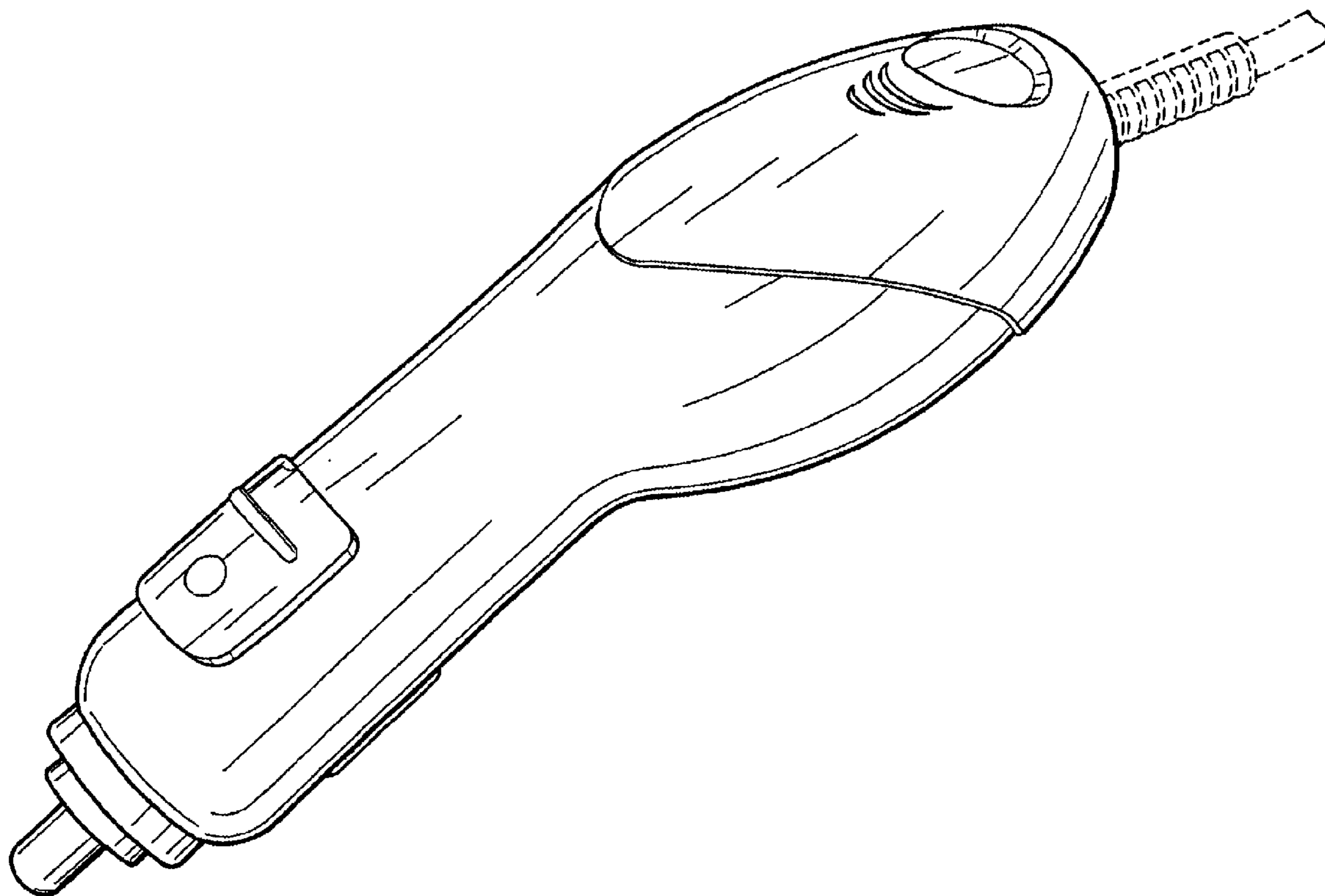
(57) **CLAIM**

The ornamental design for a power adapter, as shown and described.

**DESCRIPTION**

FIG. 1 is a perspective view of the present invention;  
FIG. 2 is a side view of the present invention;  
FIG. 3 is a top view of the present invention;  
FIG. 4 is a front perspective view of the present invention;  
and,  
FIG. 5 is a rear perspective view of the present invention;  
The broken line showing of the environment is for illustrative purposes only and forms no part of the claimed design.

**1 Claim, 3 Drawing Sheets**



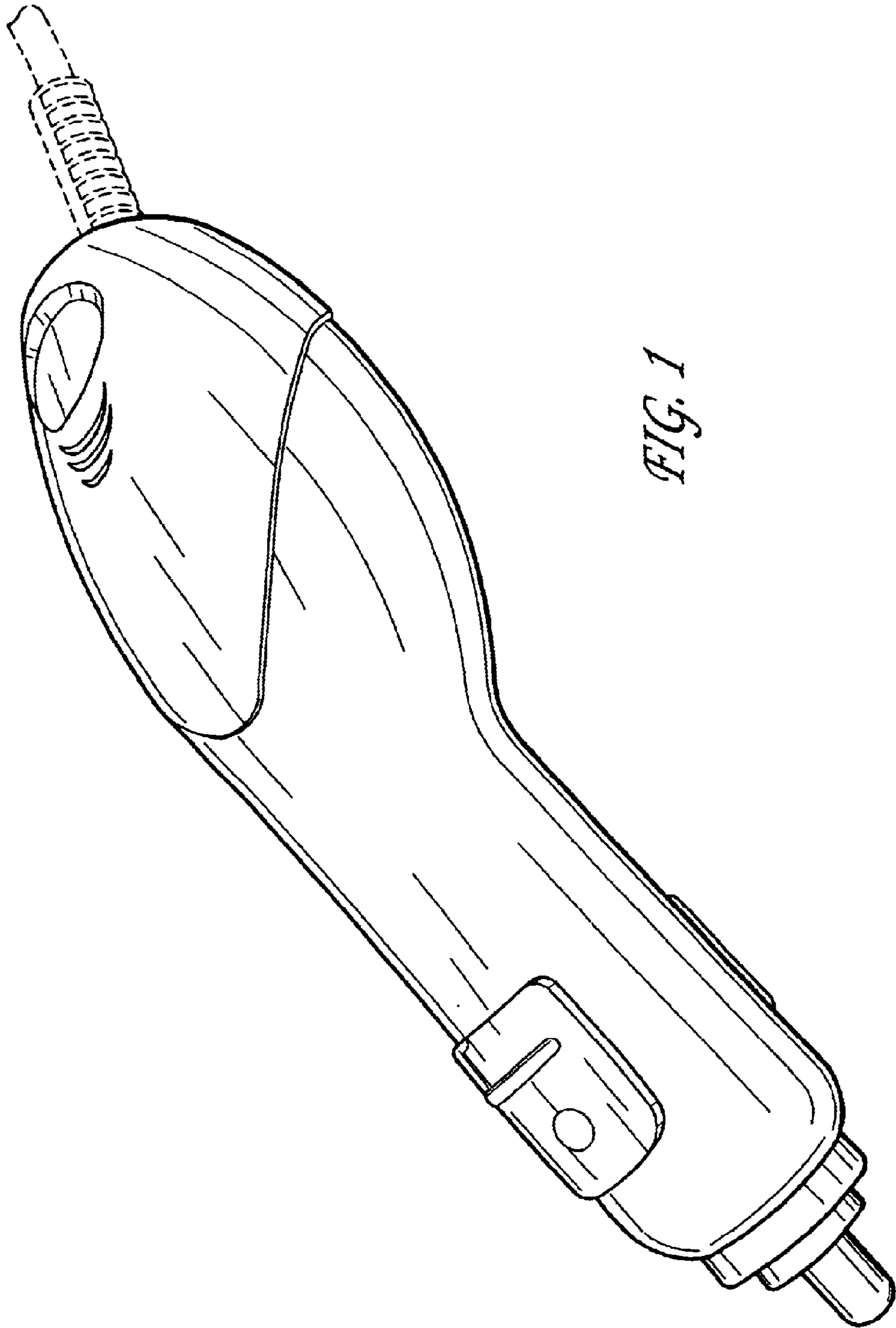
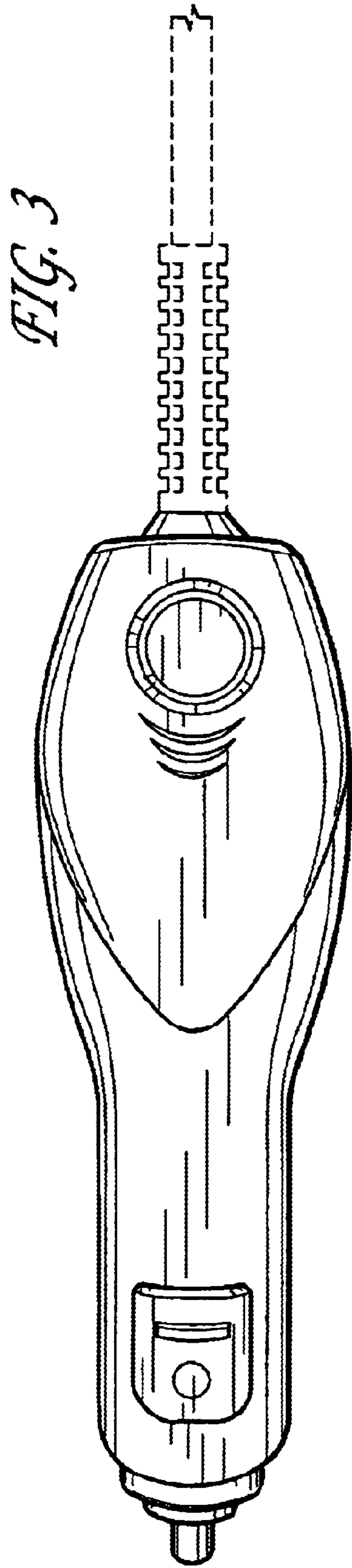
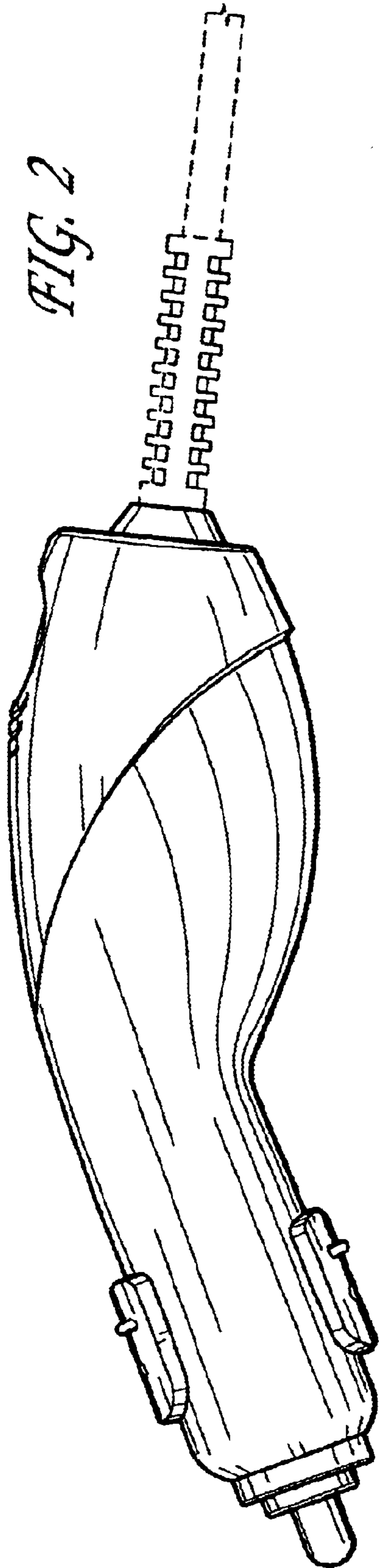
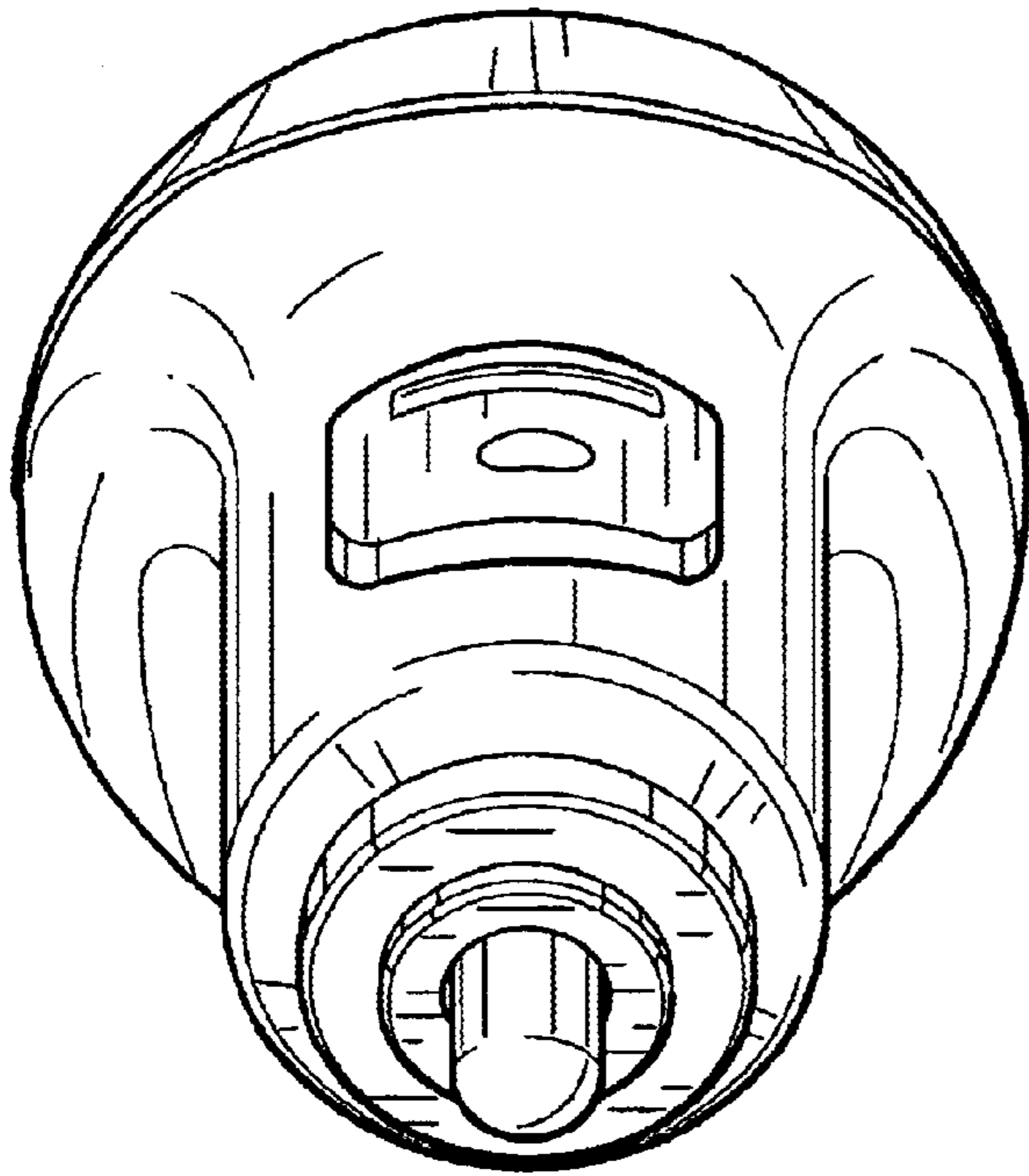
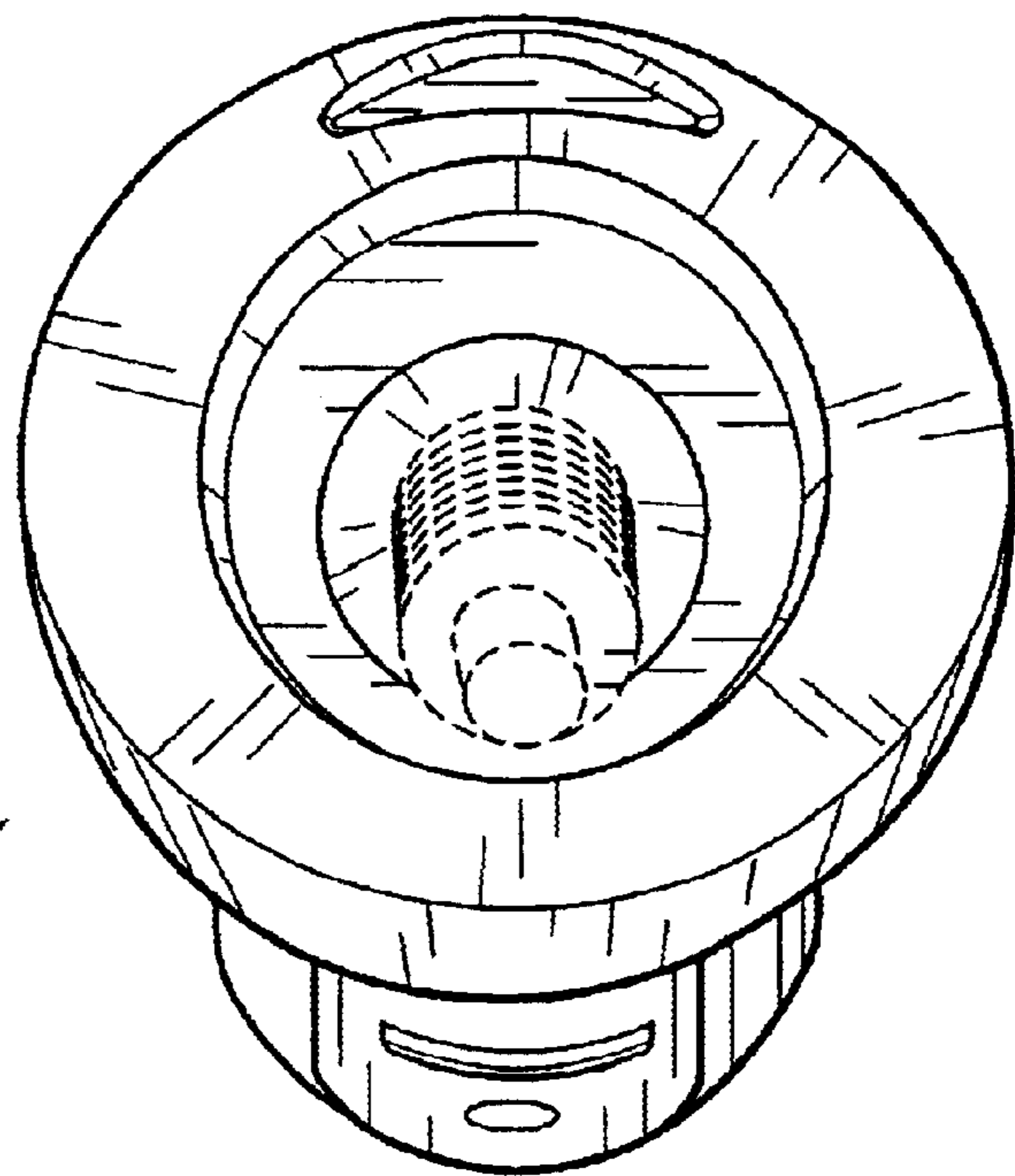


FIG. 1





*FIG. 4*



*FIG. 5*