



US00D489325S

(12) **United States Design Patent**
Nakamura

(10) **Patent No.:** **US D489,325 S**

(45) **Date of Patent:** **** May 4, 2004**

(54) **ADAPTER FOR HARD DISC RECORDER**

(75) Inventor: **Toshihiro Nakamura**, Tokyo (JP)

(73) Assignee: **Sony Corporation**, Tokyo (JP)

(**) Term: **14 Years**

(21) Appl. No.: **29/175,355**

(22) Filed: **Feb. 4, 2003**

(51) **LOC (7) Cl.** **13-02**

(52) **U.S. Cl.** **D13/110**

(58) **Field of Search** D13/103, 107,
D13/108, 110; 320/107, 108, 109, 110,
111, 112, 113, 114, 115

(56) **References Cited**

U.S. PATENT DOCUMENTS

D277,662 S	*	2/1985	Huntington et al.	D13/107
D281,064 S	*	10/1985	Scheid	D13/107
D322,061 S	*	12/1991	Watanabe	D13/108
D327,868 S	*	7/1992	Oka	D13/110
D442,141 S		5/2001	Ikenaga		
D467,539 S		12/2002	Kataoka		
D474,737 S	*	5/2003	Yoshida	D13/108

OTHER PUBLICATIONS

Catalog "New Products," pp. 5 & 9, Sony Marketing (Summer/2002).

* cited by examiner

Primary Examiner—Mitchell Siegel

Assistant Examiner—Daniel Bui

(74) *Attorney, Agent, or Firm*—Rader, Fishman & Grauer PLLC

(57) **CLAIM**

The ornamental design for an adapter for hard disc recorder, as shown.

DESCRIPTION

FIG. 1 is a perspective view of an adapter for hard disc recorder showing my new design; FIG. 2 is a front elevational view thereof; FIG. 3 is a rear elevational view thereof; FIG. 4 is a left side elevational view thereof; FIG. 5 is a right side elevational view thereof; FIG. 6 is a top plan view thereof; and, FIG. 7 is a bottom plan view thereof.

1 Claim, 4 Drawing Sheets

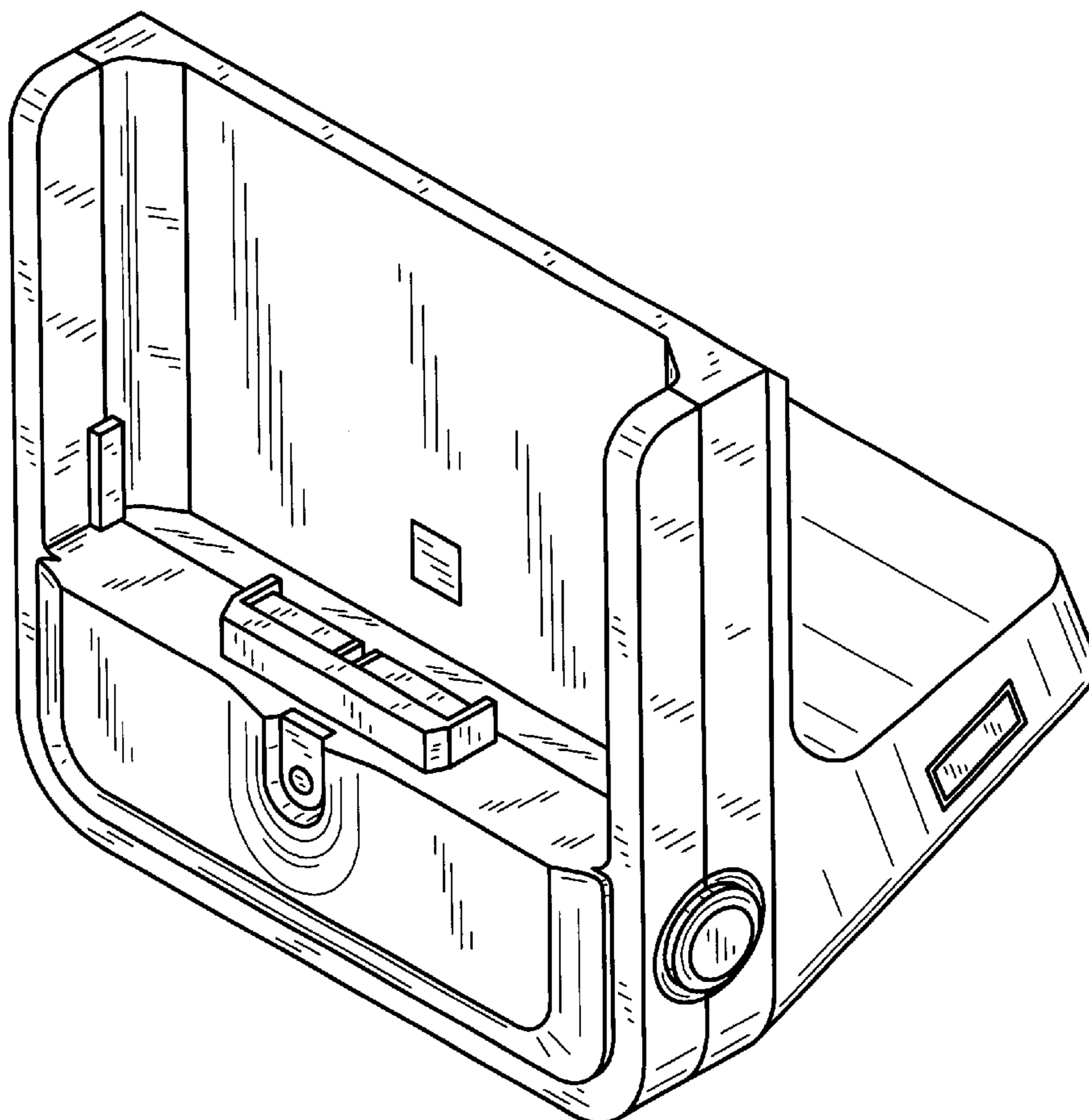


FIG. 1

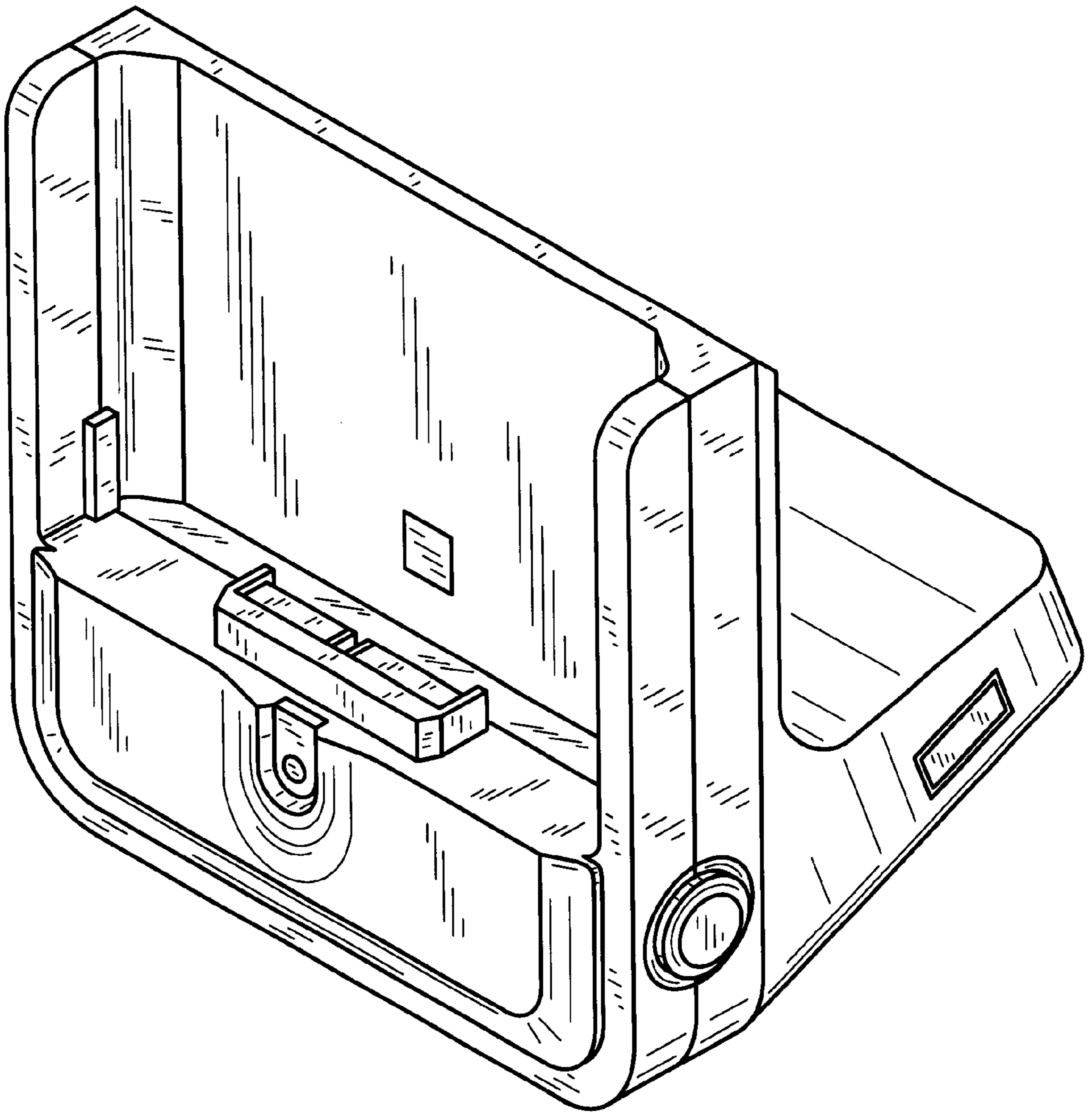


FIG. 2

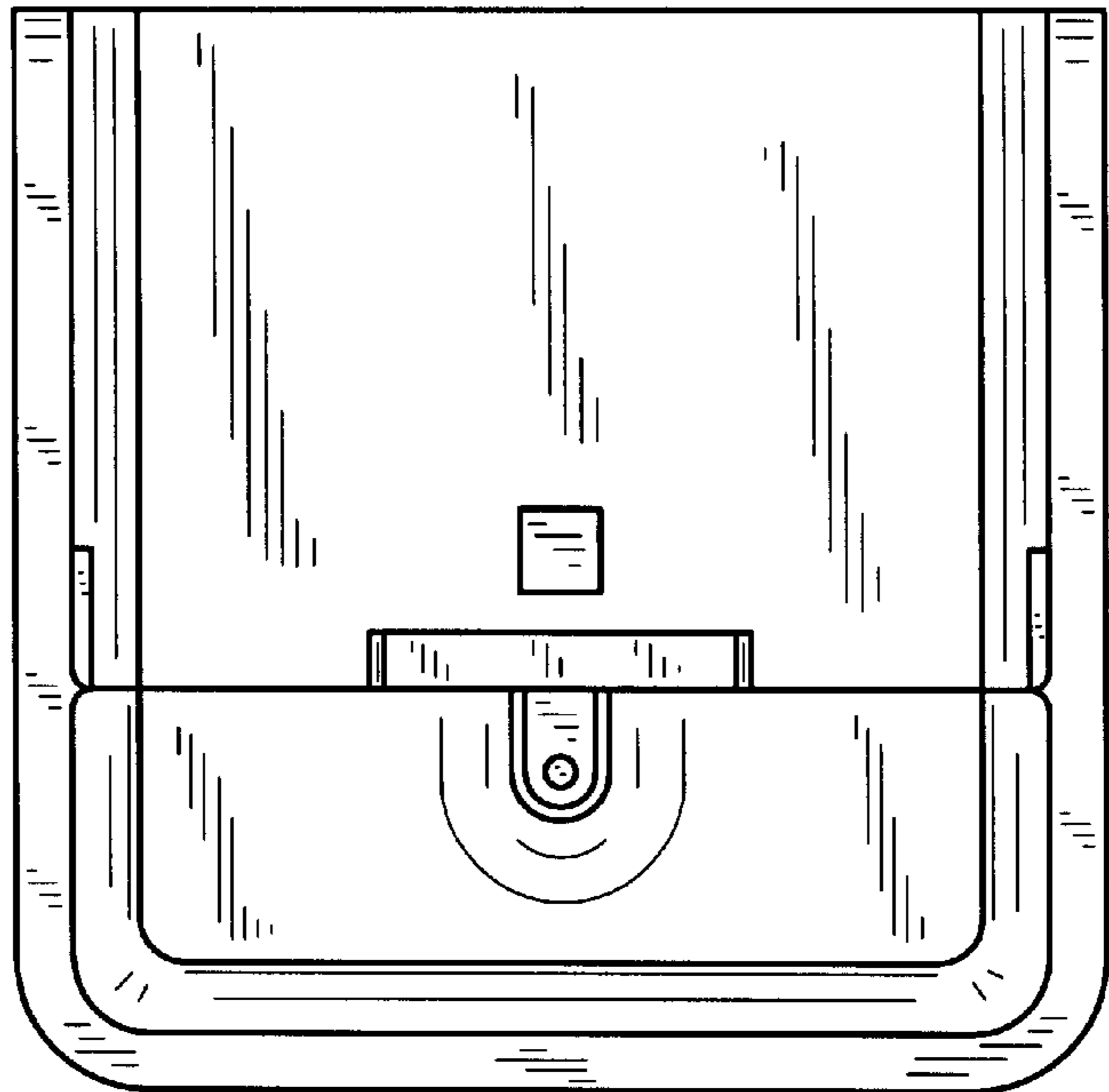


FIG. 3

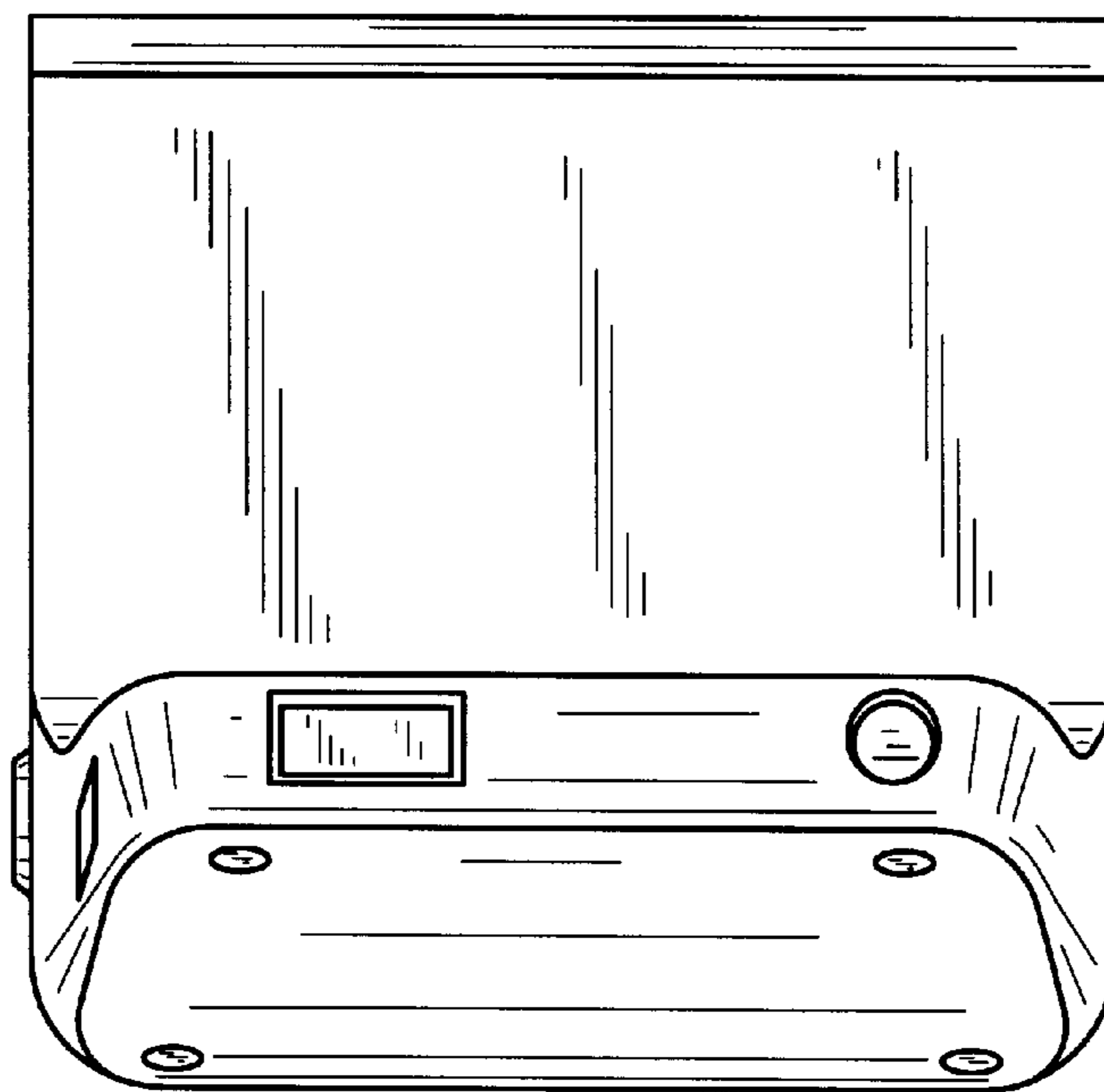


FIG. 4

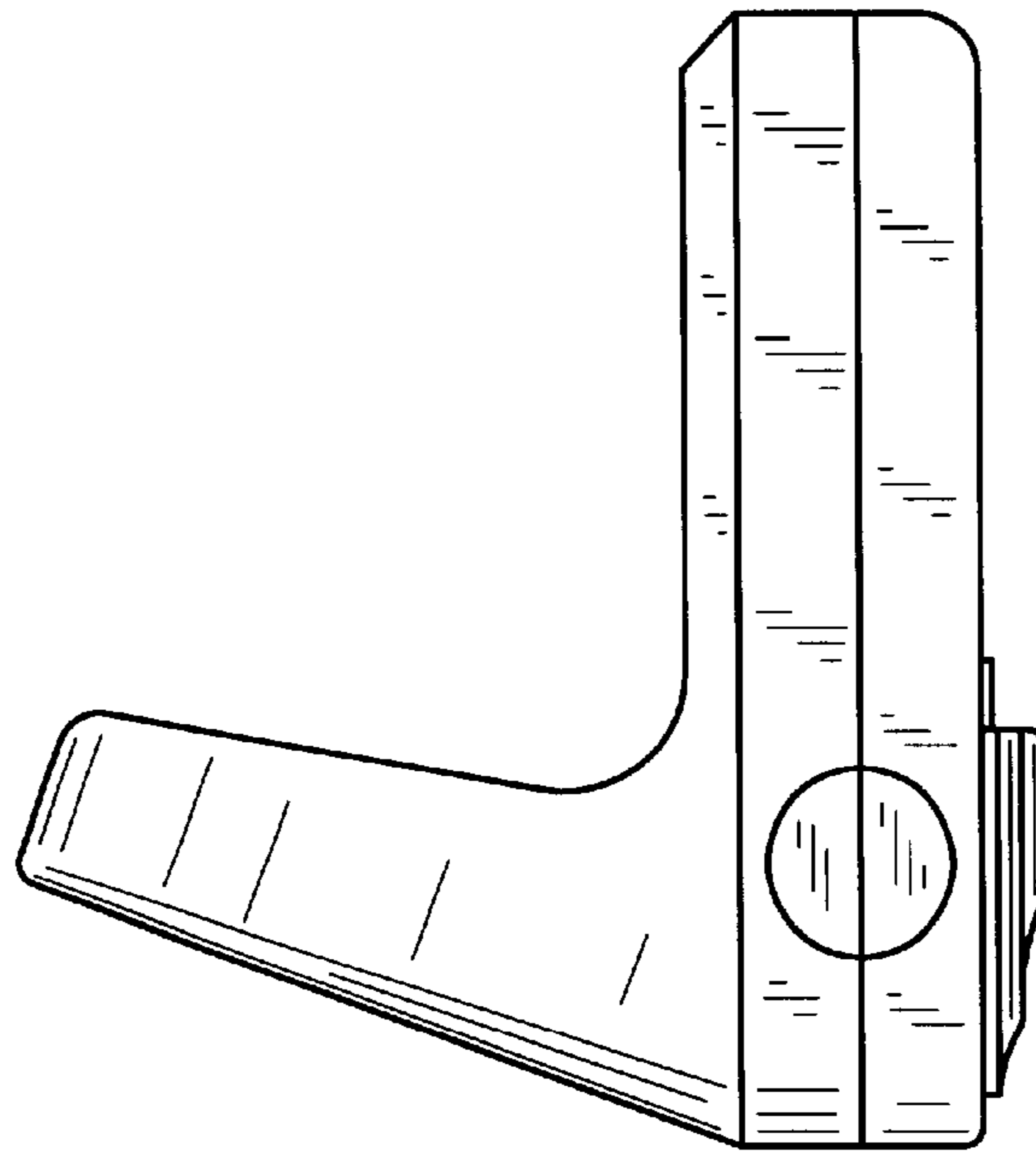


FIG. 5

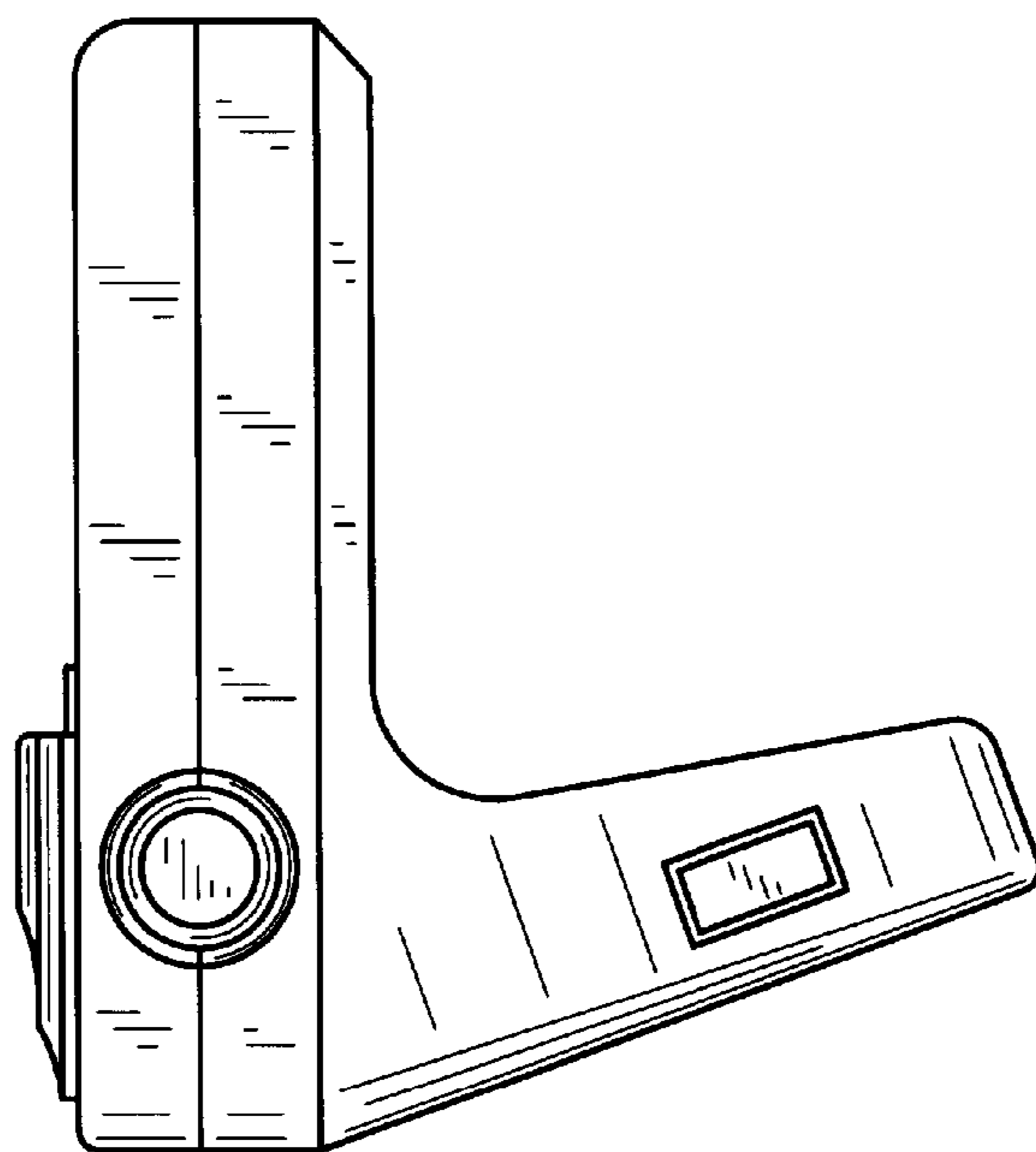


FIG. 6



FIG. 7

