



US00D489322S

(12) **United States Design Patent**  
**Sawai et al.**

(10) **Patent No.:** **US D489,322 S**

(45) **Date of Patent:** **\*\* May 4, 2004**

(54) **CHARGER**

(75) Inventors: **Kunihito Sawai**, Tokyo (JP); **Nobuyuki Fukui**, Tokyo (JP)

(73) Assignee: **Sony Corporation**, Tokyo (JP)

(\*\*) Term: **14 Years**

(21) Appl. No.: **29/186,217**

(22) Filed: **Jul. 14, 2003**

(51) **LOC (7) Cl.** ..... **13-02**

(52) **U.S. Cl.** ..... **D13/108**

(58) **Field of Search** ..... D13/107, 108;  
D14/253; 320/107-115

(56) **References Cited**

**U.S. PATENT DOCUMENTS**

D323,085	S	*	1/1992	Konkel	.....	D6/466
5,187,744	A	*	2/1993	Richter	.....	379/449
D389,159	S	*	1/1998	Patterson et al.	.....	D14/253
D452,236	S	*	12/2001	Kohli	.....	D14/253
6,552,513	B1	*	4/2003	Li	.....	320/107
2002/0089297	A1	*	7/2002	Filo	.....	318/568.12
2003/0062873	A1	*	4/2003	Hsin	.....	320/107
2003/0178971	A1	*	9/2003	Yu	.....	320/132

**OTHER PUBLICATIONS**

Web page “Game Watch, Micro Bots” 6 sheets, Impress Corporation (2002).

Web page “ERA-210P1” <http://www.jp.aibo.com/products/ERA210P1.html>, 1 sheet, Sony (Mar. 2003).

Web page “ERA-301P2” <http://www.jp.aibo.com/products/ERA301P2.html>, 1 sheet, Sony (Mar. 2003).

Web page “Game Watch, Micro Bots” <http://www.watch.impress.co.jp/game/docs/20020606/13.html>, 1 sheet, Impress Corporation (Mar. 2003).

\* cited by examiner

*Primary Examiner*—Joel Sincavage

(74) *Attorney, Agent, or Firm*—Rader, Fishman & Grauer PLLC

(57) **CLAIM**

The ornamental design for a charger, as shown.

**DESCRIPTION**

FIG. 1 is a front right top perspective view of a charger showing our new design;

FIG. 2 is a rear left top perspective view thereof;

FIG. 3 is a front elevational view thereof;

FIG. 4 is a rear elevational view thereof;

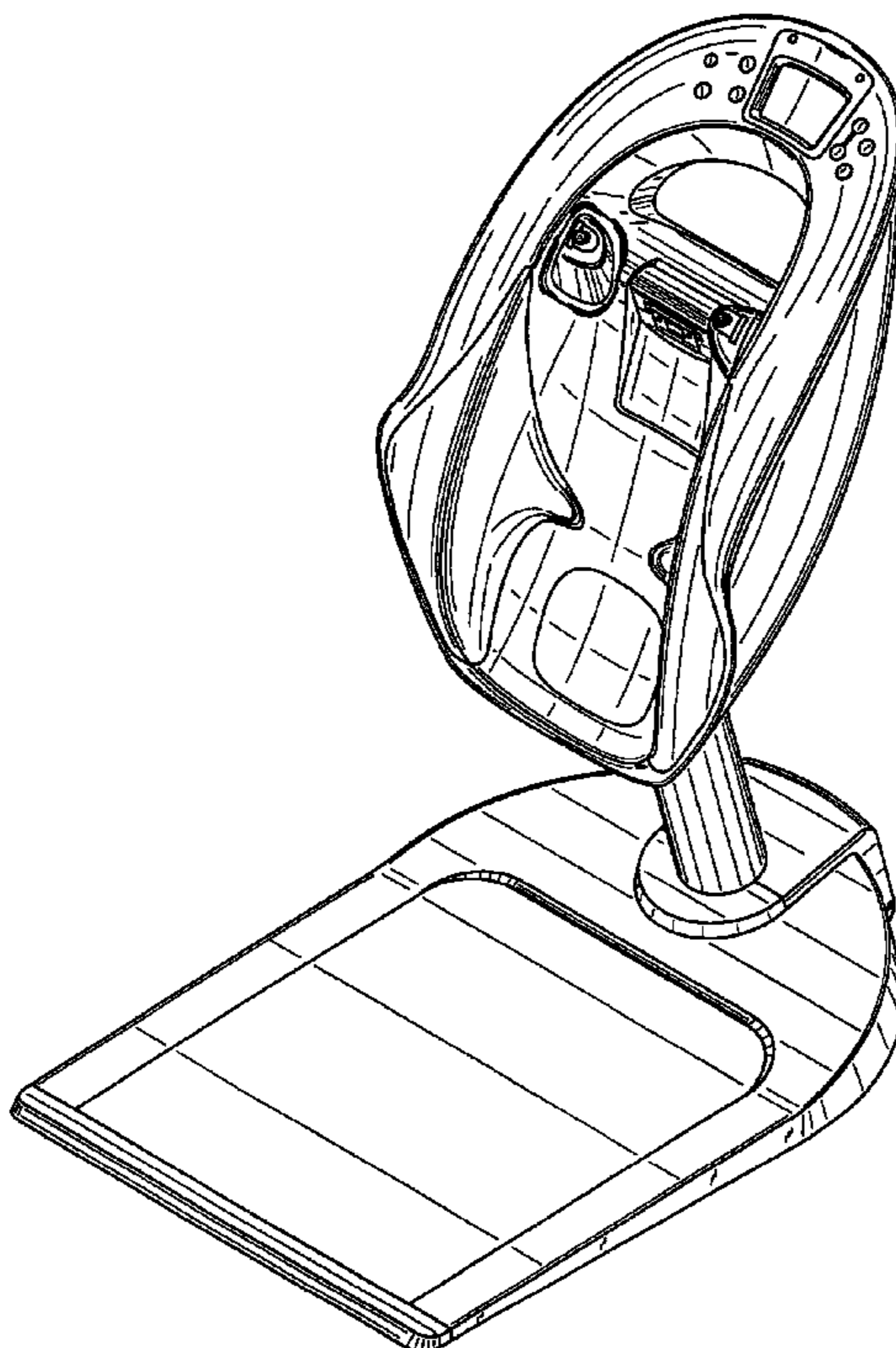
FIG. 5 is a left side elevational view thereof;

FIG. 6 is a right side elevational view thereof;

FIG. 7 is a top plan view thereof; and,

FIG. 8 is a bottom plan view thereof.

**1 Claim, 5 Drawing Sheets**



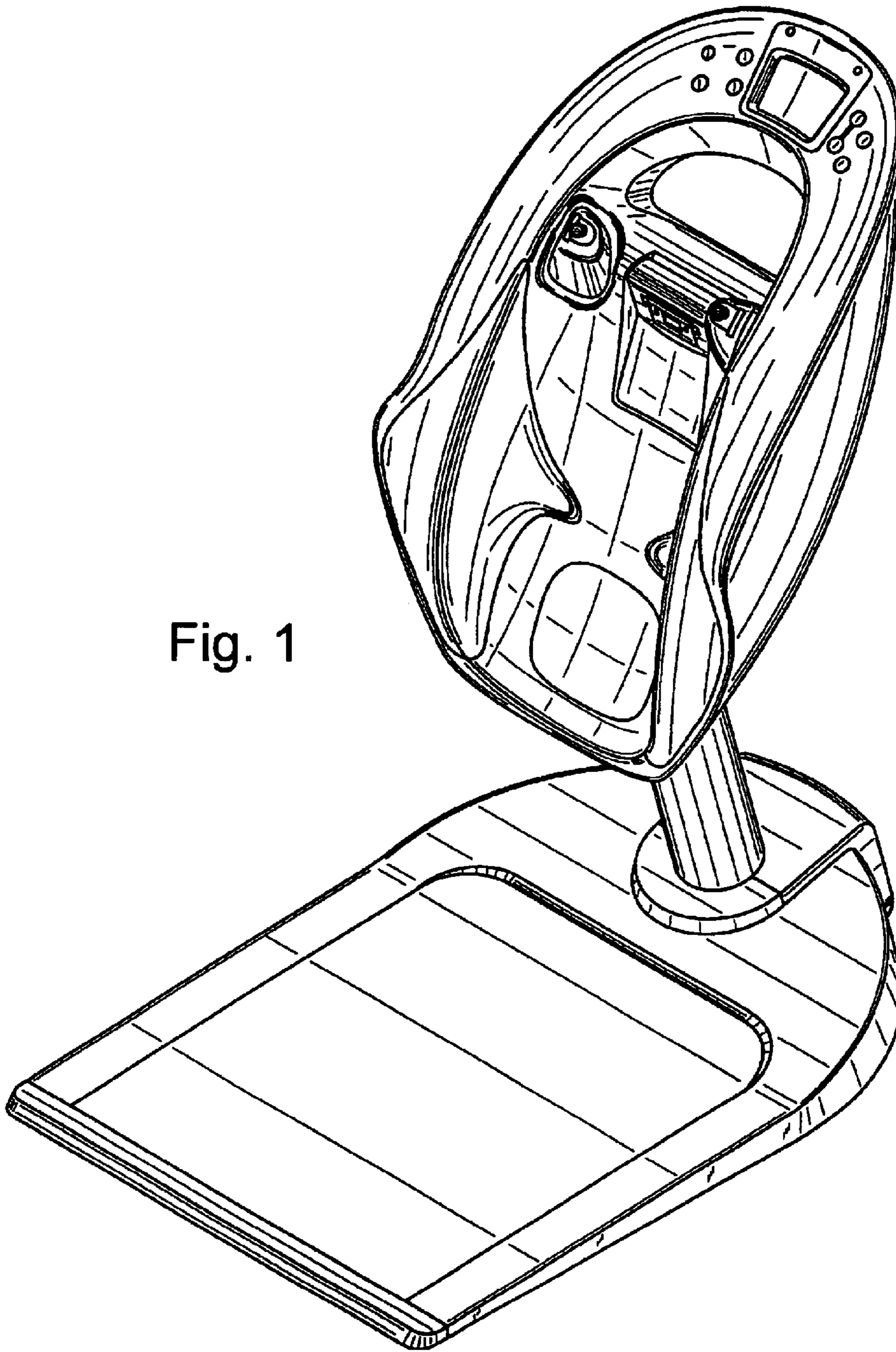


Fig. 1

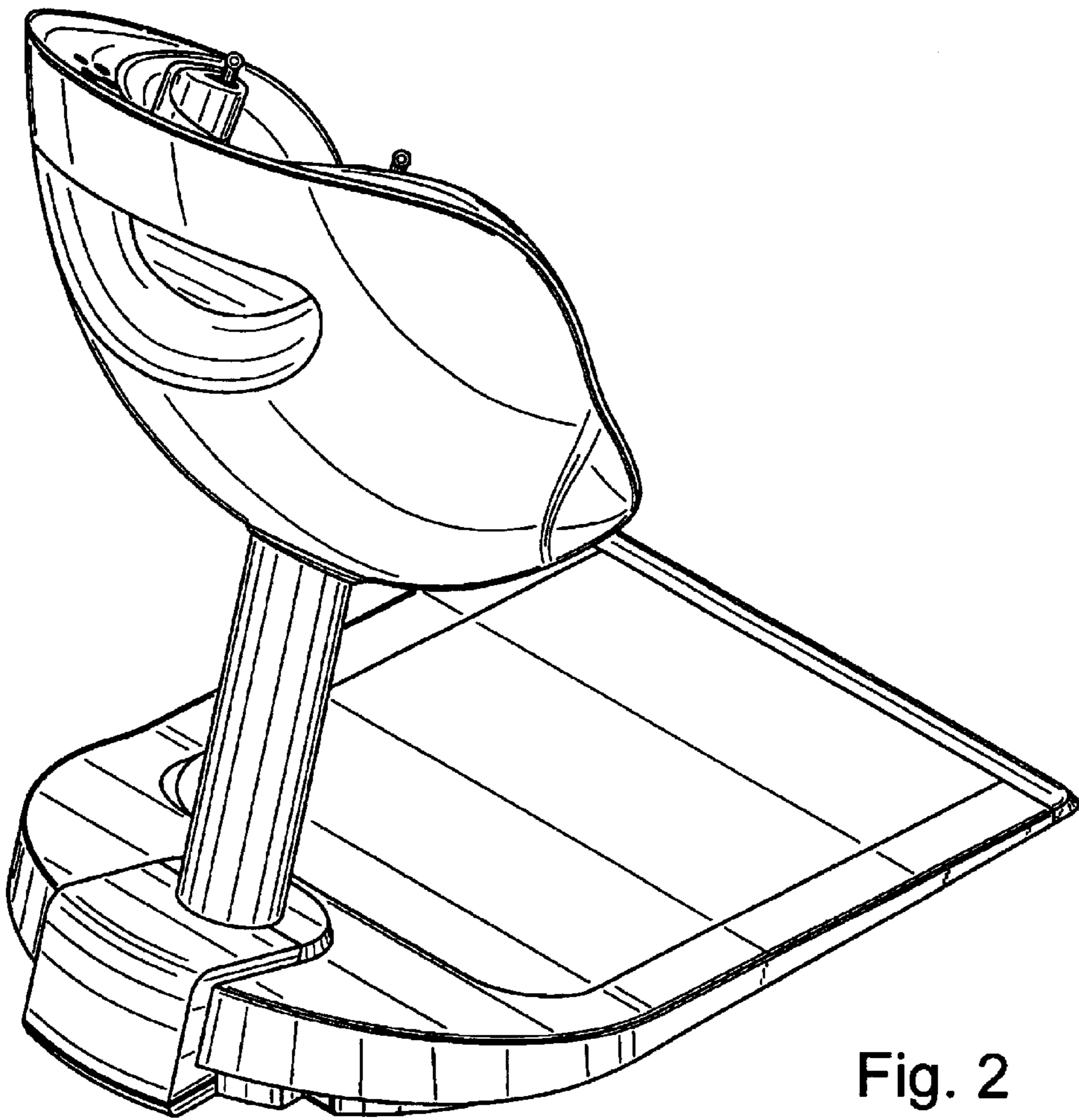


Fig. 2

Fig. 3

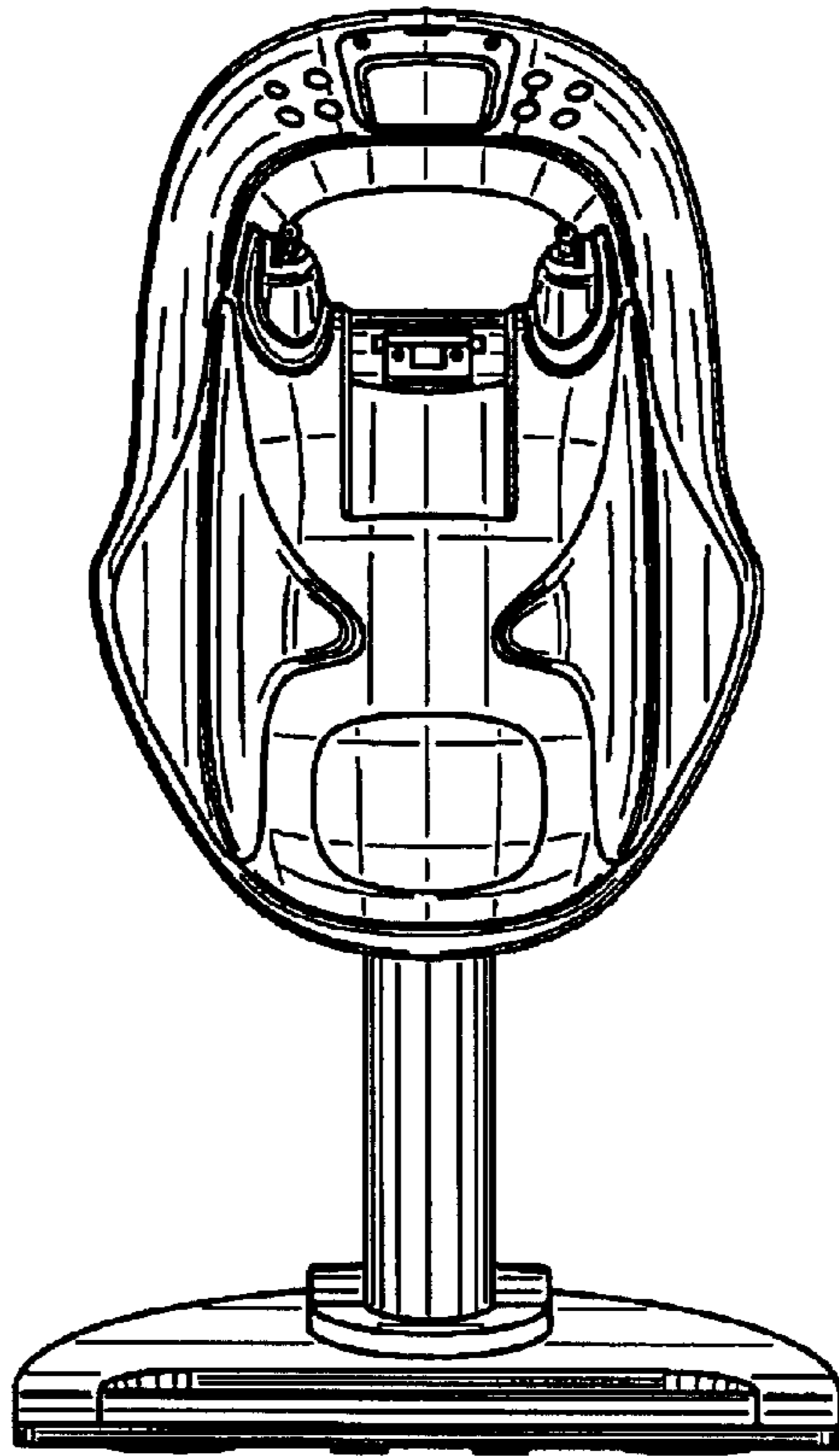


Fig. 4

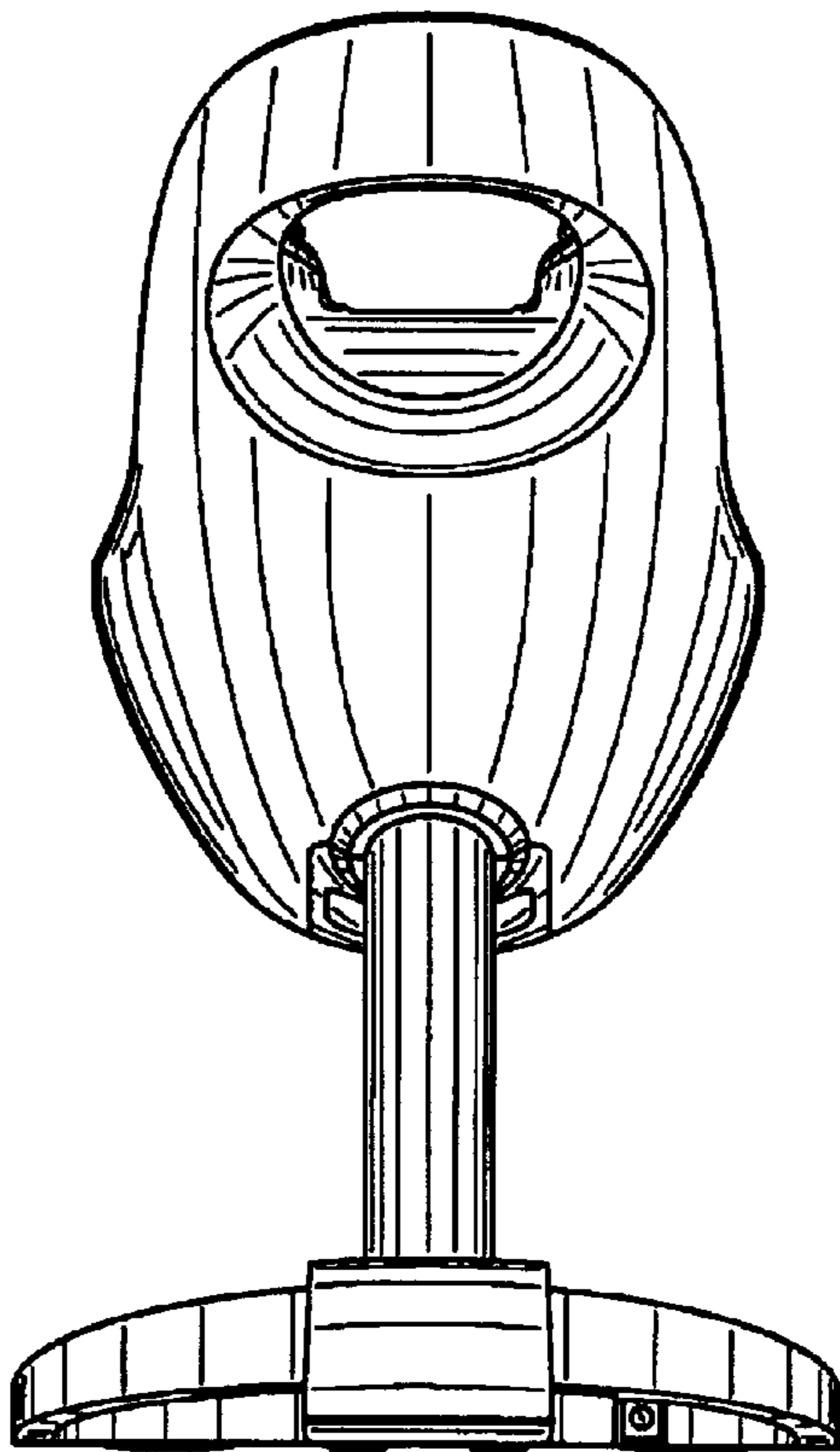


Fig. 5

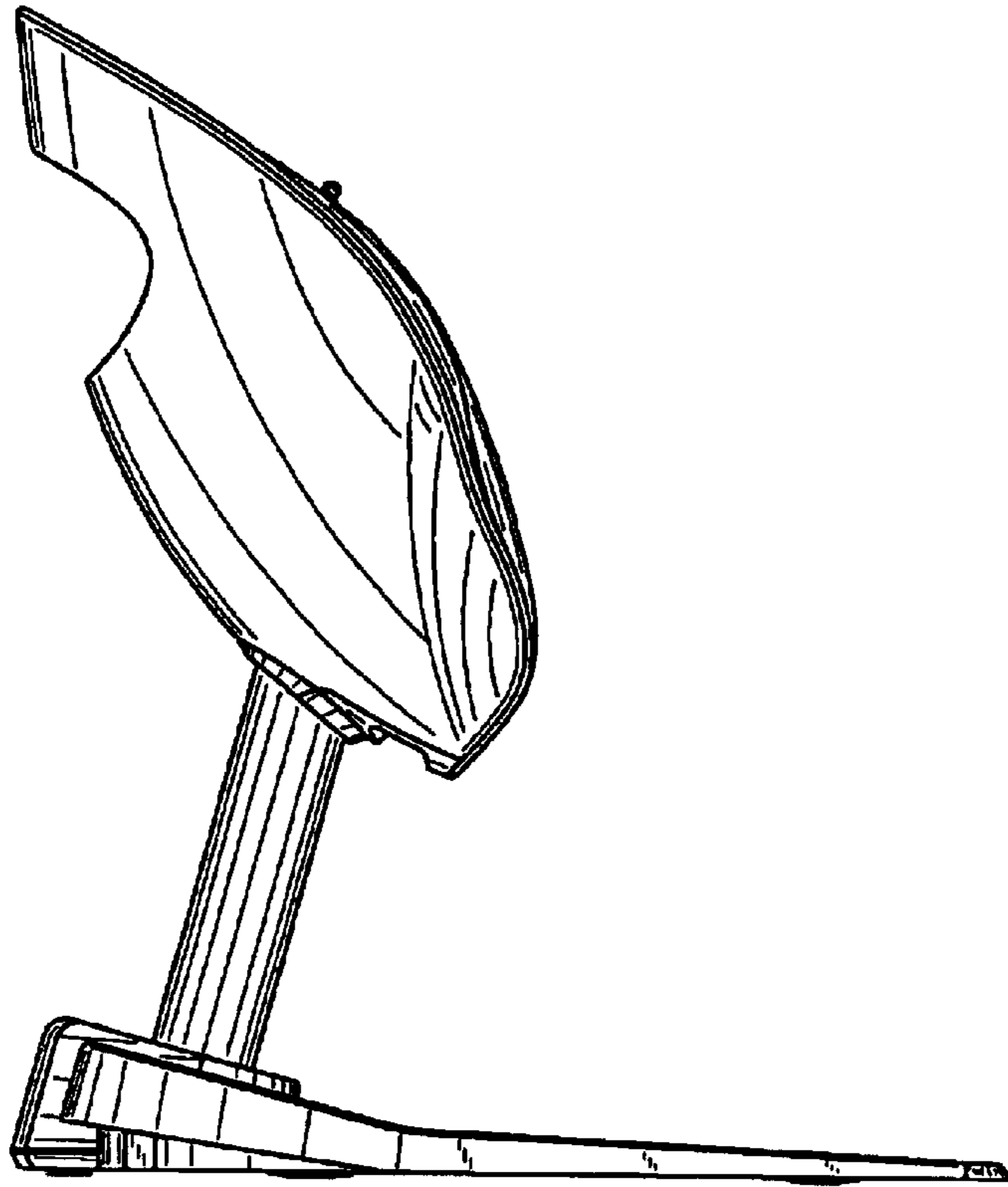


Fig. 6

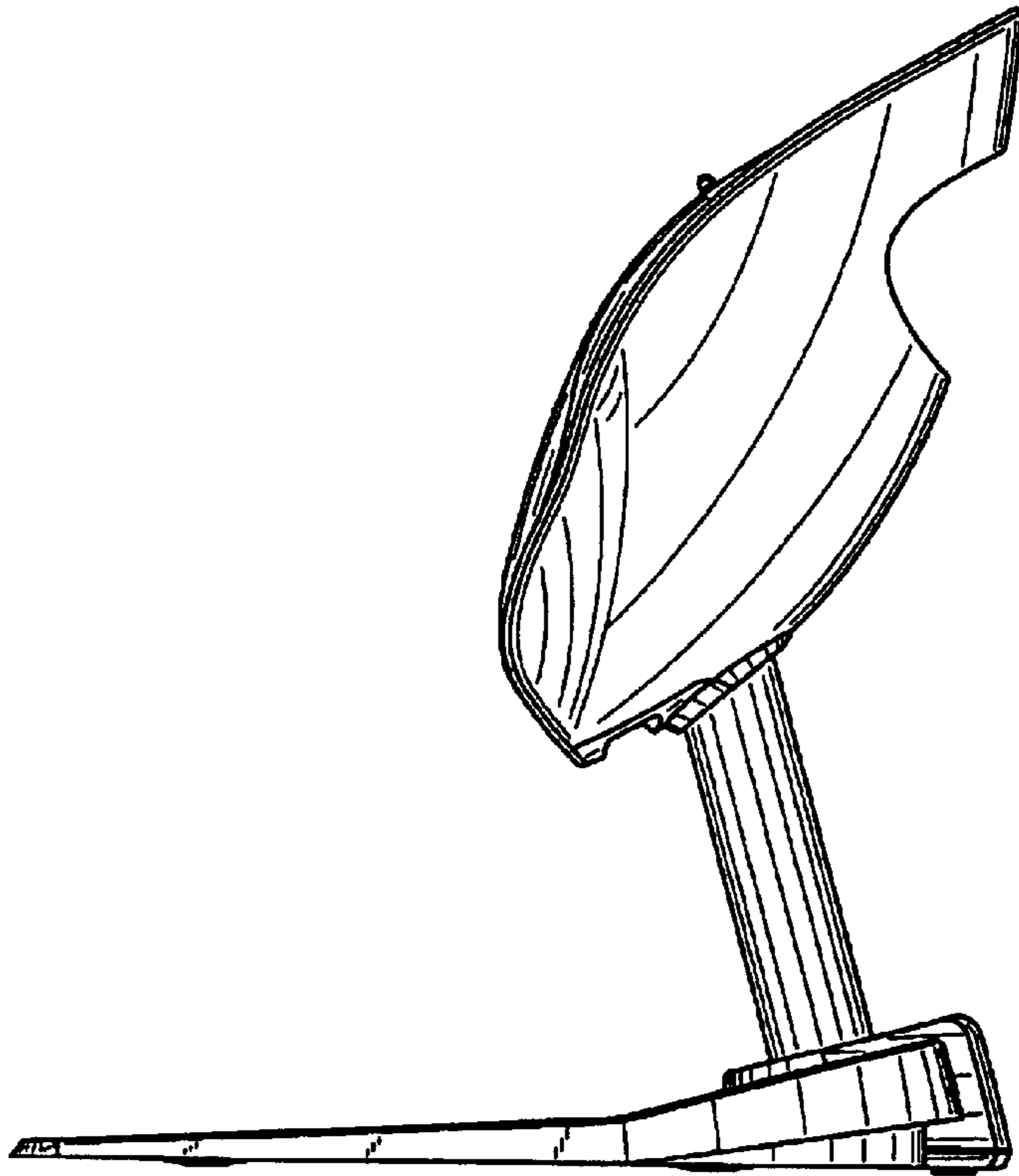


Fig. 7

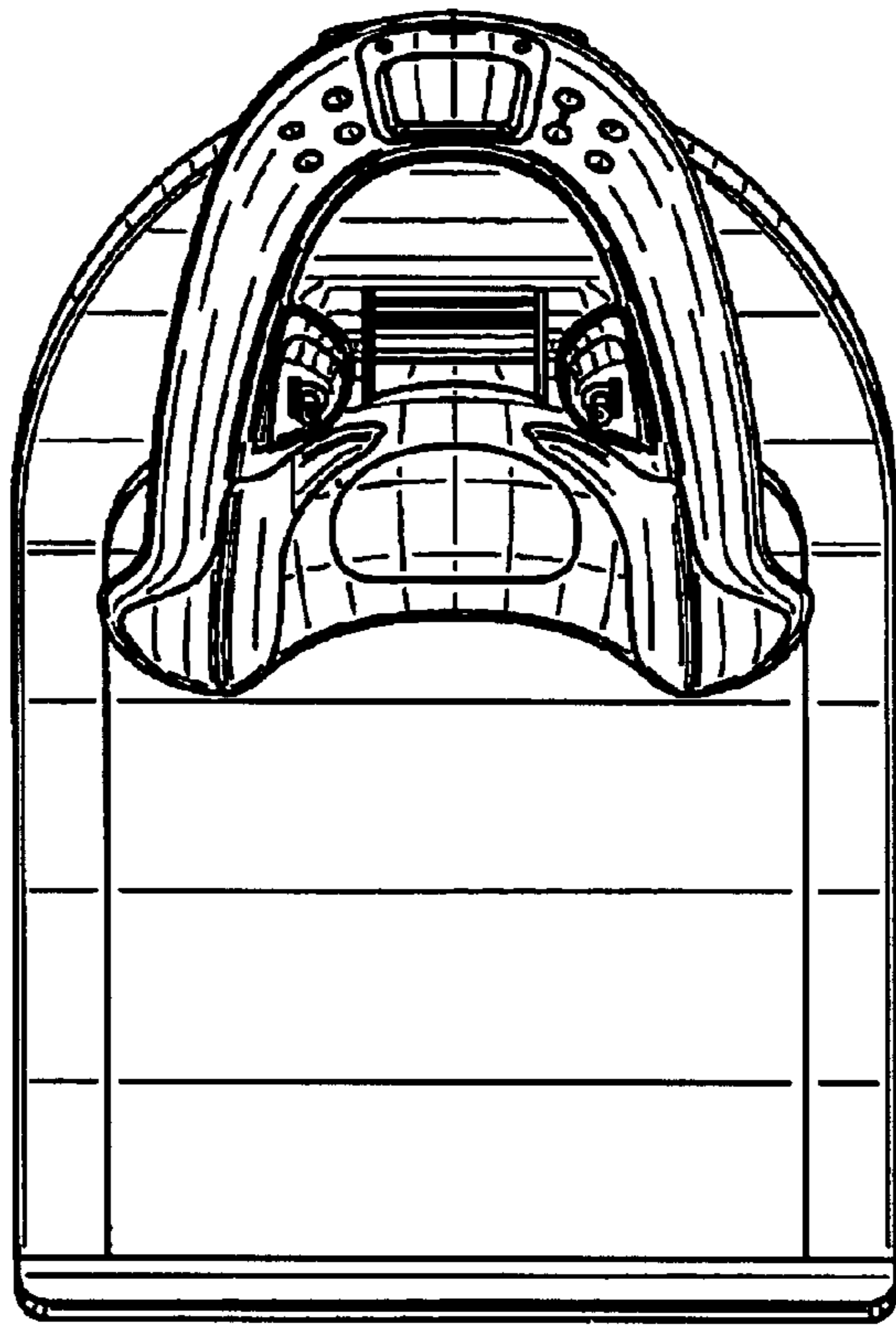


Fig. 8

