



US00D489321S

(12) **United States Design Patent**  
**Krieger et al.**

(10) **Patent No.:** **US D489,321 S**

(45) **Date of Patent:** **\*\* May 4, 2004**

(54) **DOCKING STATION FOR A RECHARGEABLE LANTERN**

D460,412 S \* 7/2002 Nawrozki ..... D13/107

\* cited by examiner

(75) Inventors: **Michael Krieger**, Miami Beach, FL (US); **Kevin Ellsworth**, Hollywood, FL (US)

*Primary Examiner*—Joel Sincavage  
(74) *Attorney, Agent, or Firm*—Venable LLP; Robert Kinberg

(73) Assignee: **Vector Products, Inc.**, Ft. Lauderdale, FL (US)

(57) **CLAIM**

(\*\*) Term: **14 Years**

The ornamental design for a docking station for a rechargeable lantern, as shown and described.

(21) Appl. No.: **29/172,434**

**DESCRIPTION**

(22) Filed: **Dec. 12, 2002**

FIG. 1 is a perspective view from the front-right-top side of the docking station for a rechargeable lantern showing our new design;

(51) **LOC (7) Cl.** ..... **13-02**

(52) **U.S. Cl.** ..... **D13/108**

(58) **Field of Search** ..... D13/107, 108; D14/242; 320/107–115

FIG. 2 is a front view of the design shown in FIG. 1; FIG. 3 is a rear view of the design shown in FIG. 1; FIG. 4 is a left side view of the design shown in FIG. 1; FIG. 5 is a right side view of the design shown in FIG. 1; FIG. 6 is a top view of the design shown in FIG. 1; FIG. 7 is a bottom view of the design shown in FIG. 1; and, FIG. 8 is front-right-top perspective view of the design shown in FIG. 1 with a rechargeable lantern shown in dotted line mounted in the docking station.

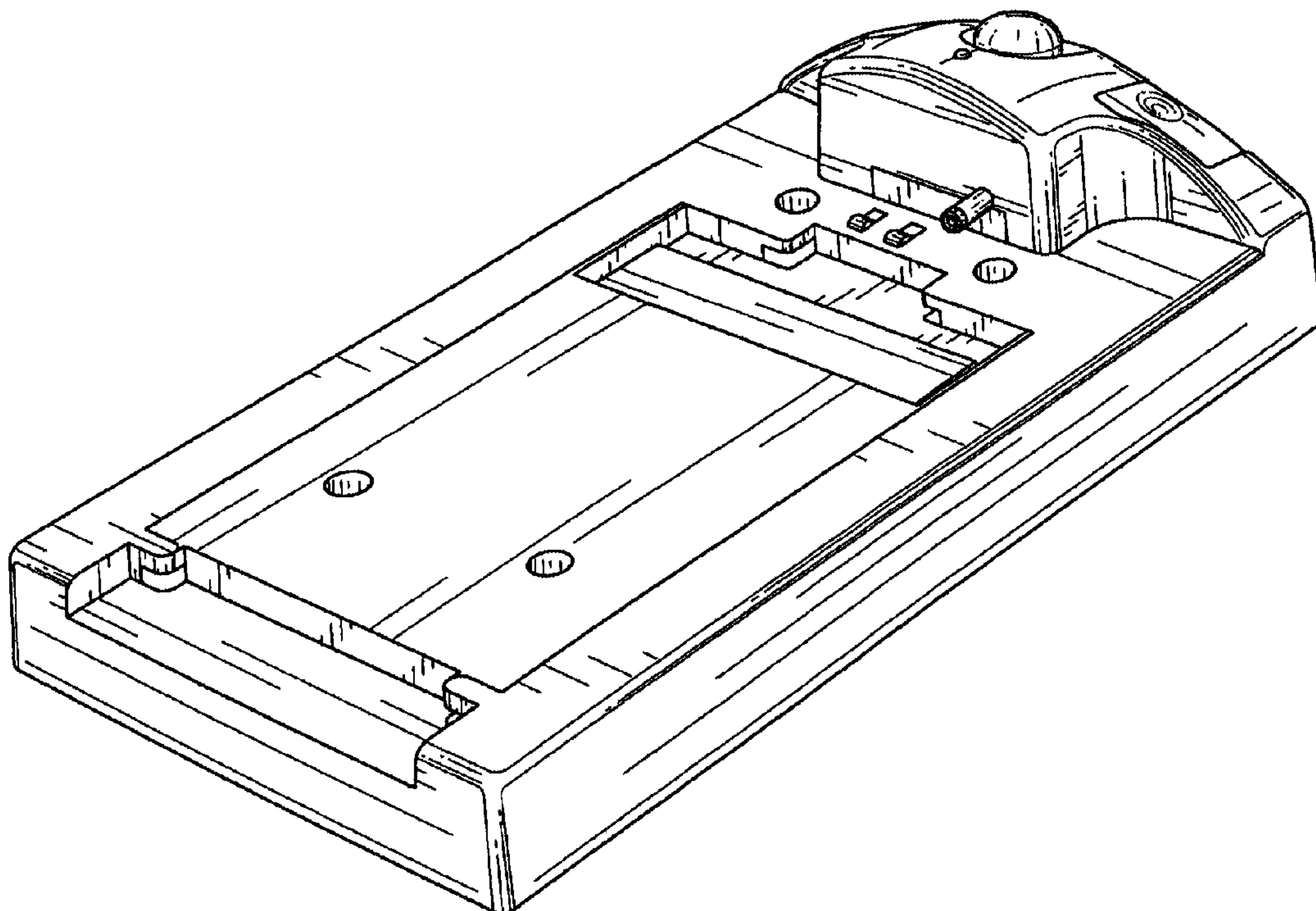
(56) **References Cited**

**U.S. PATENT DOCUMENTS**

D328,056 S	*	7/1992	Watanabe et al.	.....	D13/108
D385,283 S	*	10/1997	Snyder et al.	.....	D14/253
D409,170 S	*	5/1999	Ota et al.	.....	D14/114
D417,189 S	*	11/1999	Amero, Jr. et al.	.....	D13/107
D427,965 S	*	7/2000	Wu	.....	D13/107
D430,537 S	*	9/2000	Etter et al.	.....	D13/107
D432,984 S	*	10/2000	Krieger	.....	D13/107
D443,247 S	*	6/2001	Chuan et al.	.....	D13/107
D451,911 S	*	12/2001	Kubik	.....	D14/242
D454,864 S	*	3/2002	Kubik	.....	D14/242

The broken lines in FIG. 7 are included for the purpose of illustrating a portion of the station that forms no part of the claimed design. The broken lines representing the lantern in FIG. 8 are included for the purpose of illustrating environmental structure only and form no part of the claimed design.

**1 Claim, 8 Drawing Sheets**



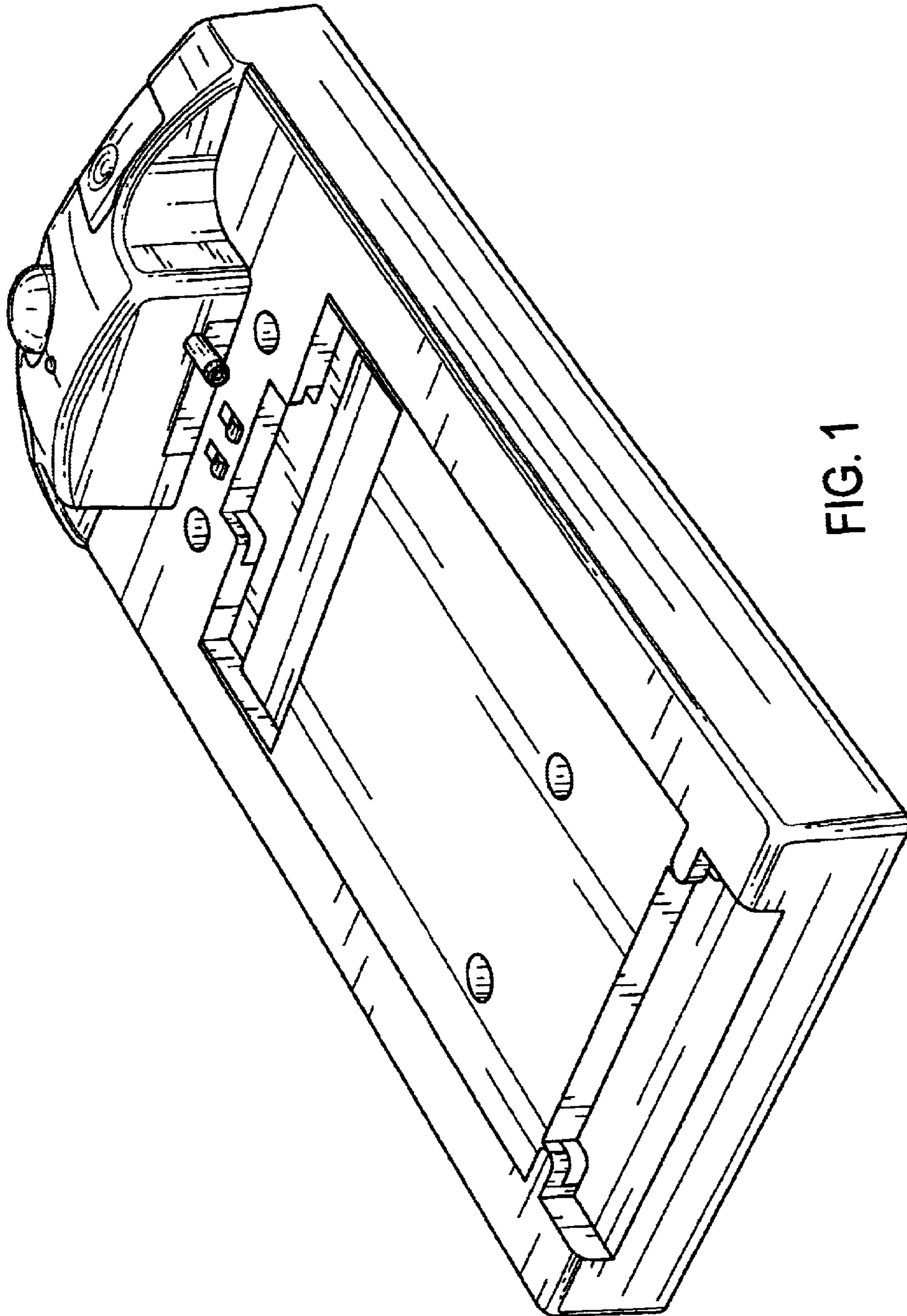


FIG. 1

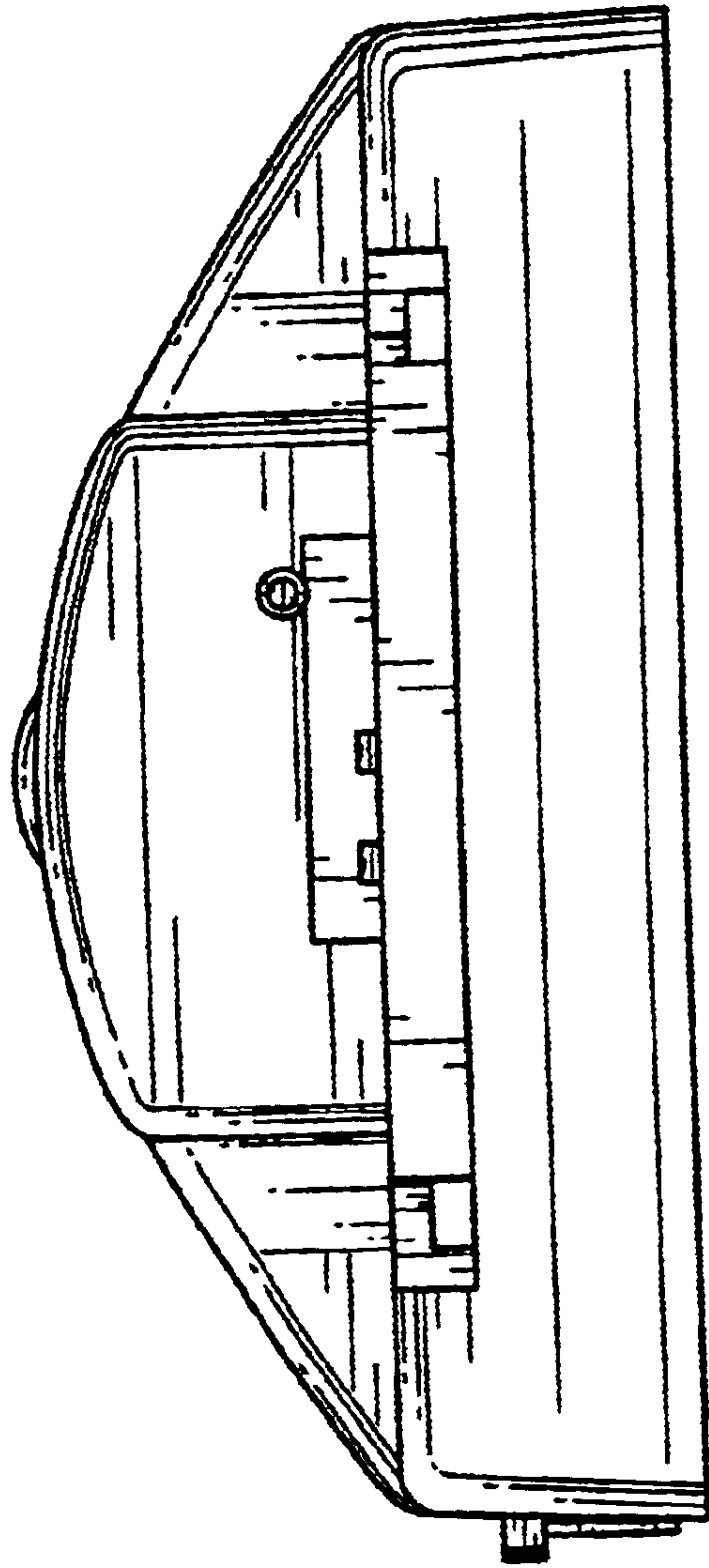


FIG. 2

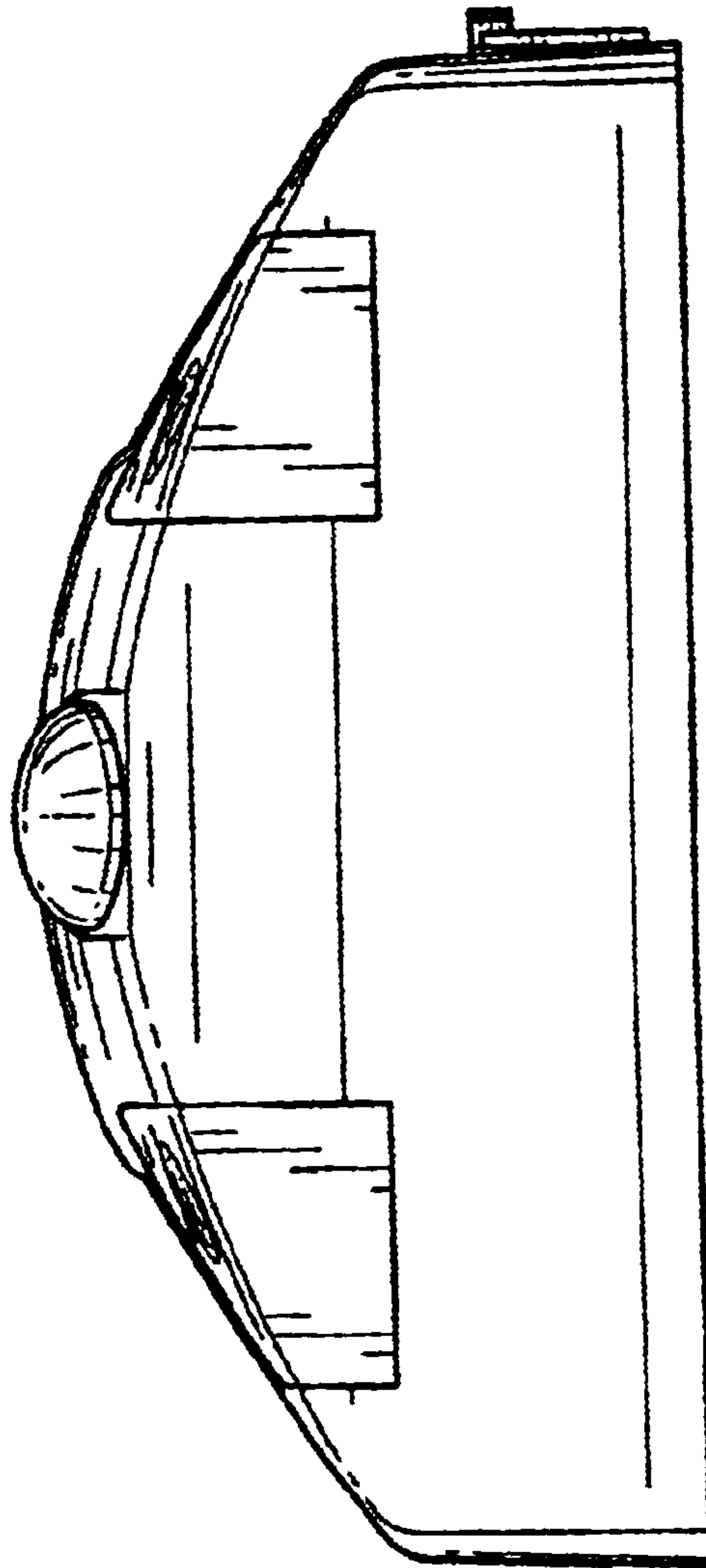


FIG. 3



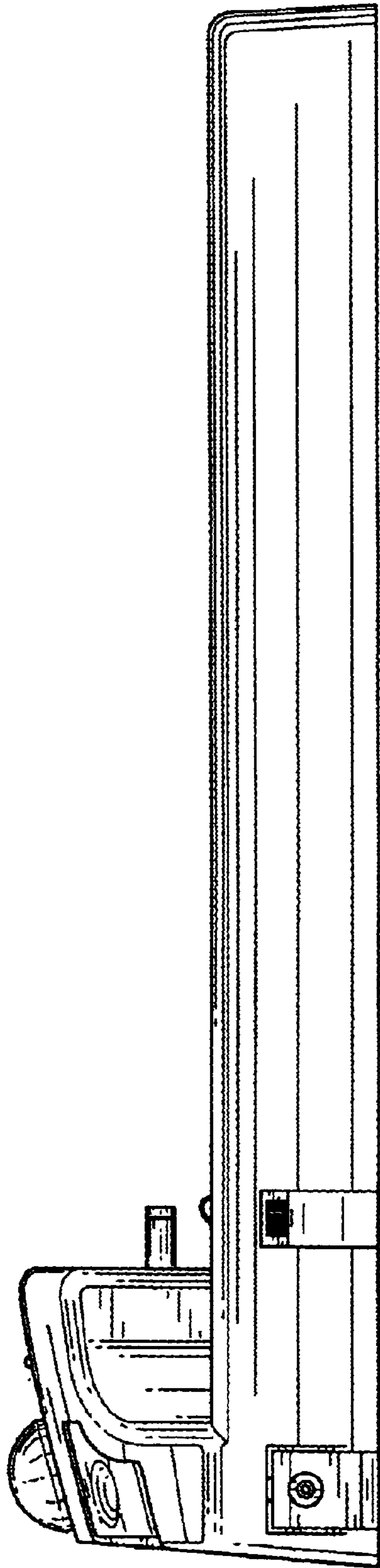


FIG. 4

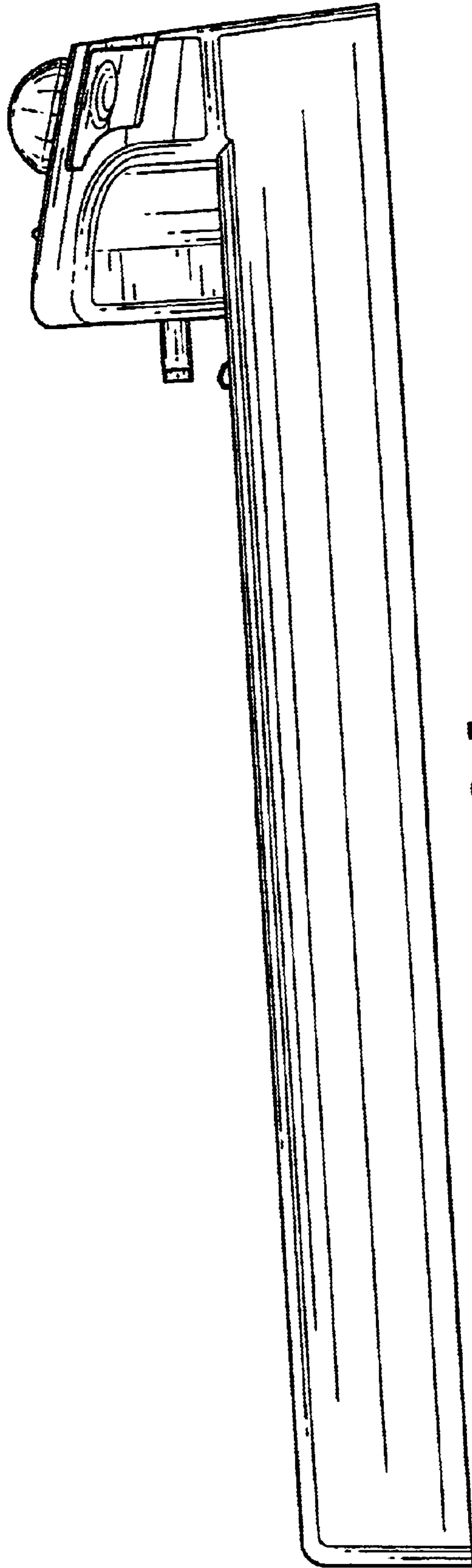


FIG. 5

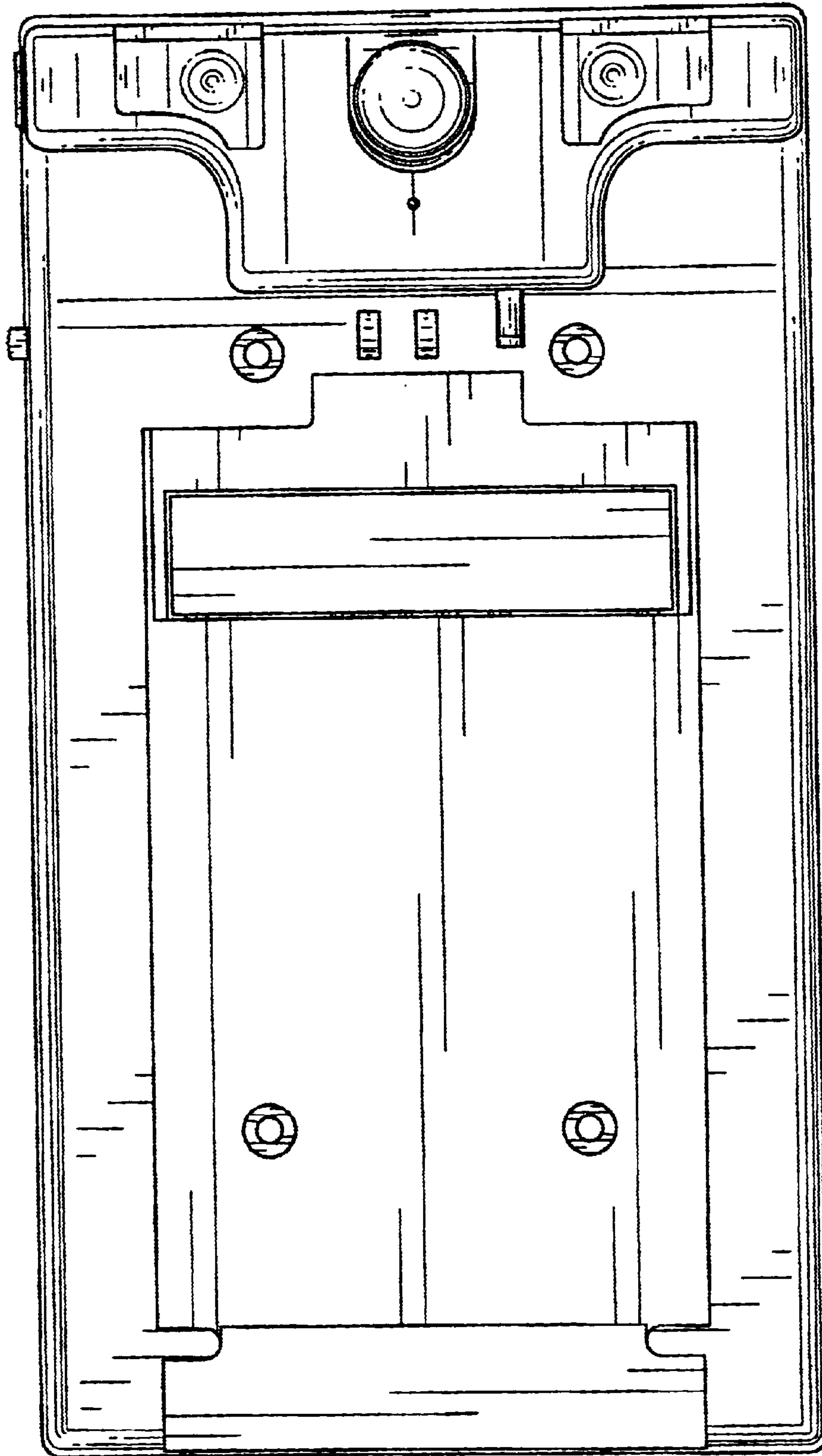


FIG. 6

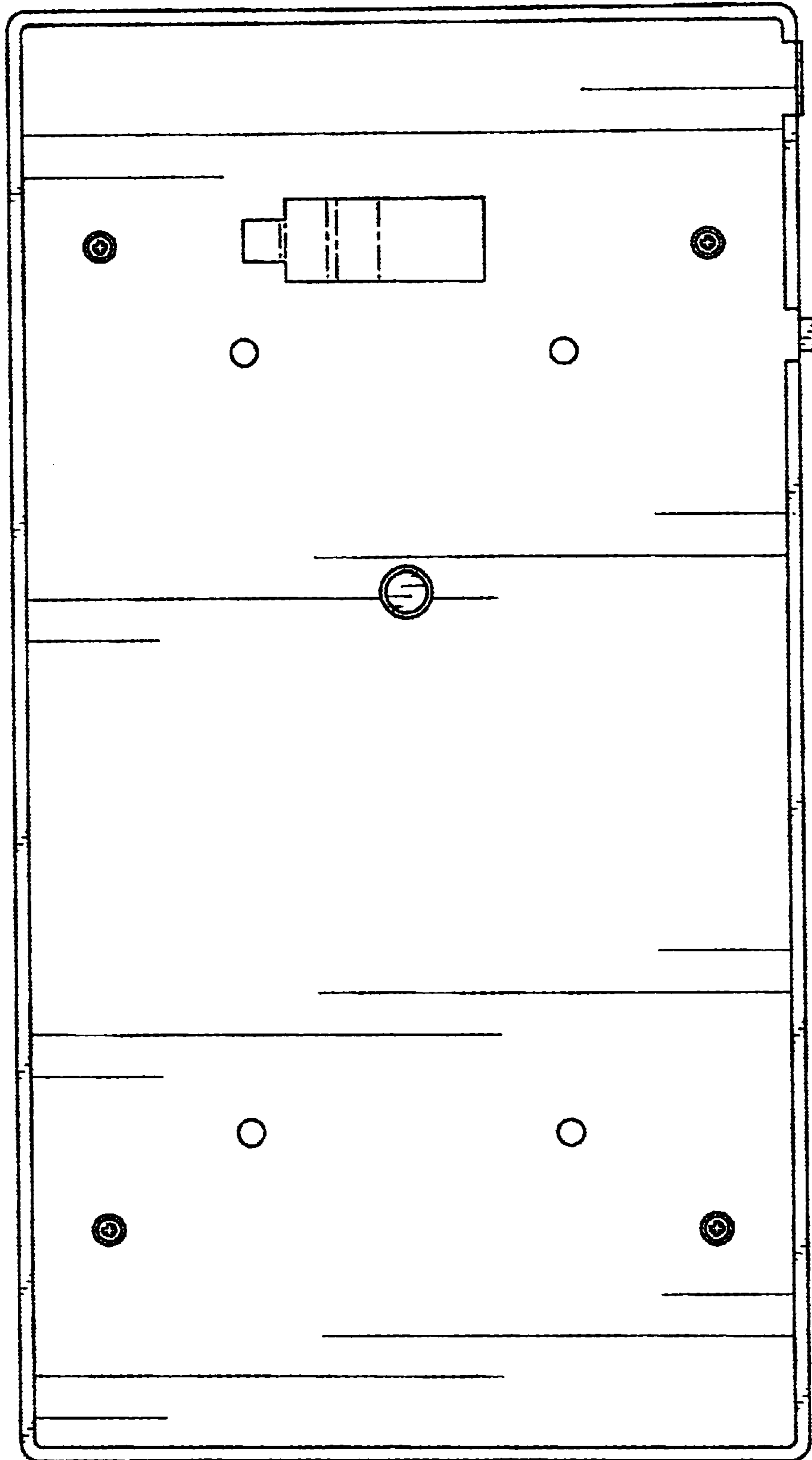


FIG. 7



