



US00D489313S

(12) **United States Design Patent**
Christiansson

(10) **Patent No.:** **US D489,313 S**

(45) **Date of Patent:** **** May 4, 2004**

(54) **EMERGENCY RELEASE UNIT**

5,316,509 A * 5/1994 Boatman et al. 441/3

(75) Inventor: **Tor Christiansson**, Skeppshult (SE)

* cited by examiner

(73) Assignee: **C M Hammar Utveckling AB**, Vastra Frolunda (SE)

Primary Examiner—Lisa Lichtenstein
(74) *Attorney, Agent, or Firm*—Burns, Doane, Swecker & Mathis, L.L.P.

(**) Term: **14 Years**

(57) **CLAIM**

(21) Appl. No.: **29/169,528**

The ornamental design for an emergency release unit, as shown and described.

(22) Filed: **Oct. 23, 2002**

DESCRIPTION

(30) **Foreign Application Priority Data**

Apr. 23, 2002 (SE) 02-0679

FIG. 1 is a front elevational view of an emergency release unit showing my new design, the rear elevational view being a mirror image thereof.

(51) **LOC (7) Cl.** **12-06**

FIG. 2 is a front, side perspective view thereof.

(52) **U.S. Cl.** **D12/317**

FIG. 3 is a front, bottom, side perspective view thereof.

(58) **Field of Search** D12/317; 441/3-5; 114/293, 367

FIG. 4 is a front, top, side perspective view thereof.

FIG. 5 is a front perspective view of the upper part thereof, with the lower part being removed for clarity; and,

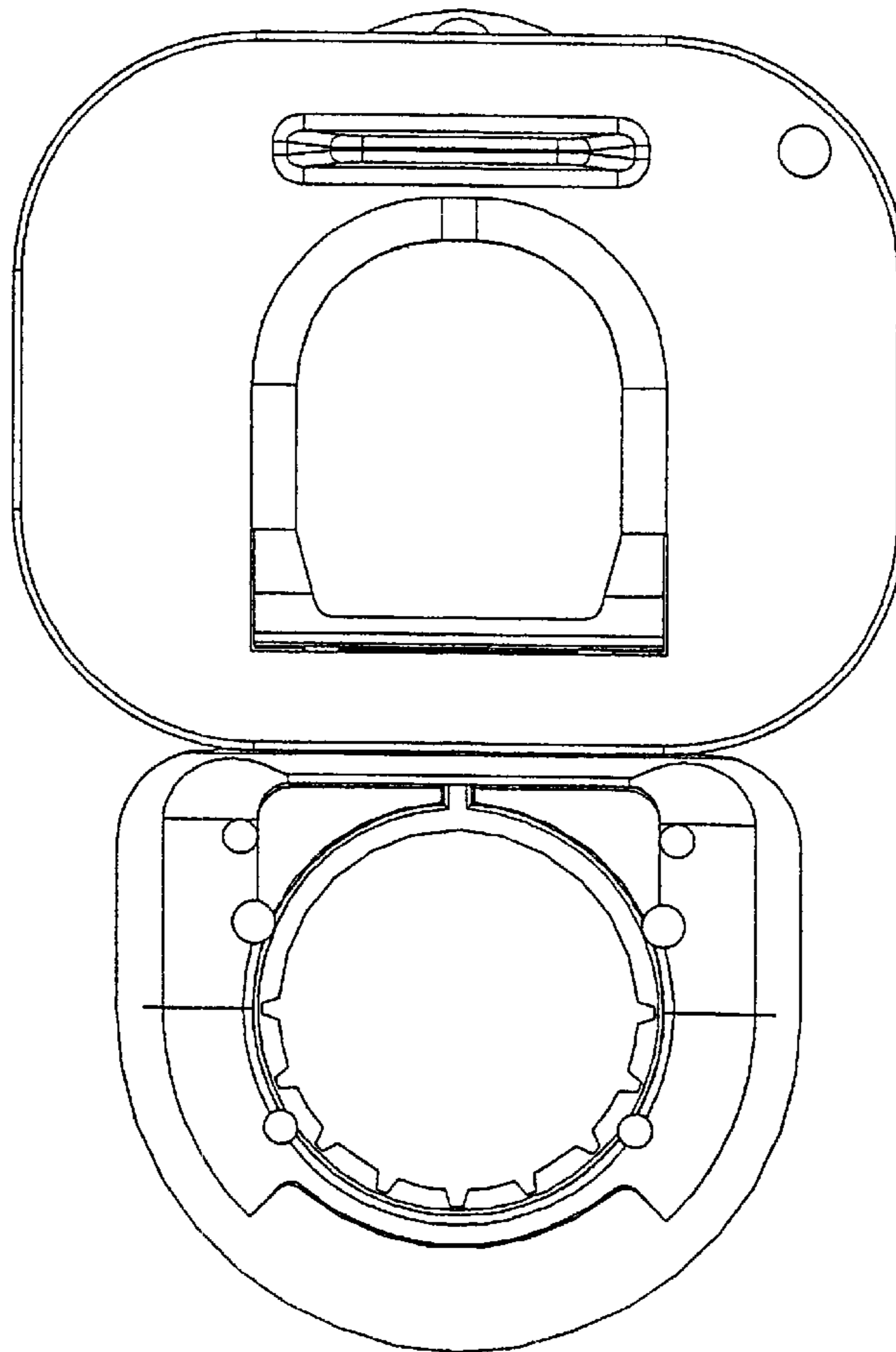
FIG. 6 is a front perspective view of the lower part thereof, with the upper part being removed for clarity.

(56) **References Cited**

U.S. PATENT DOCUMENTS

3,534,418 A * 10/1970 Leland 114/367

1 Claim, 6 Drawing Sheets



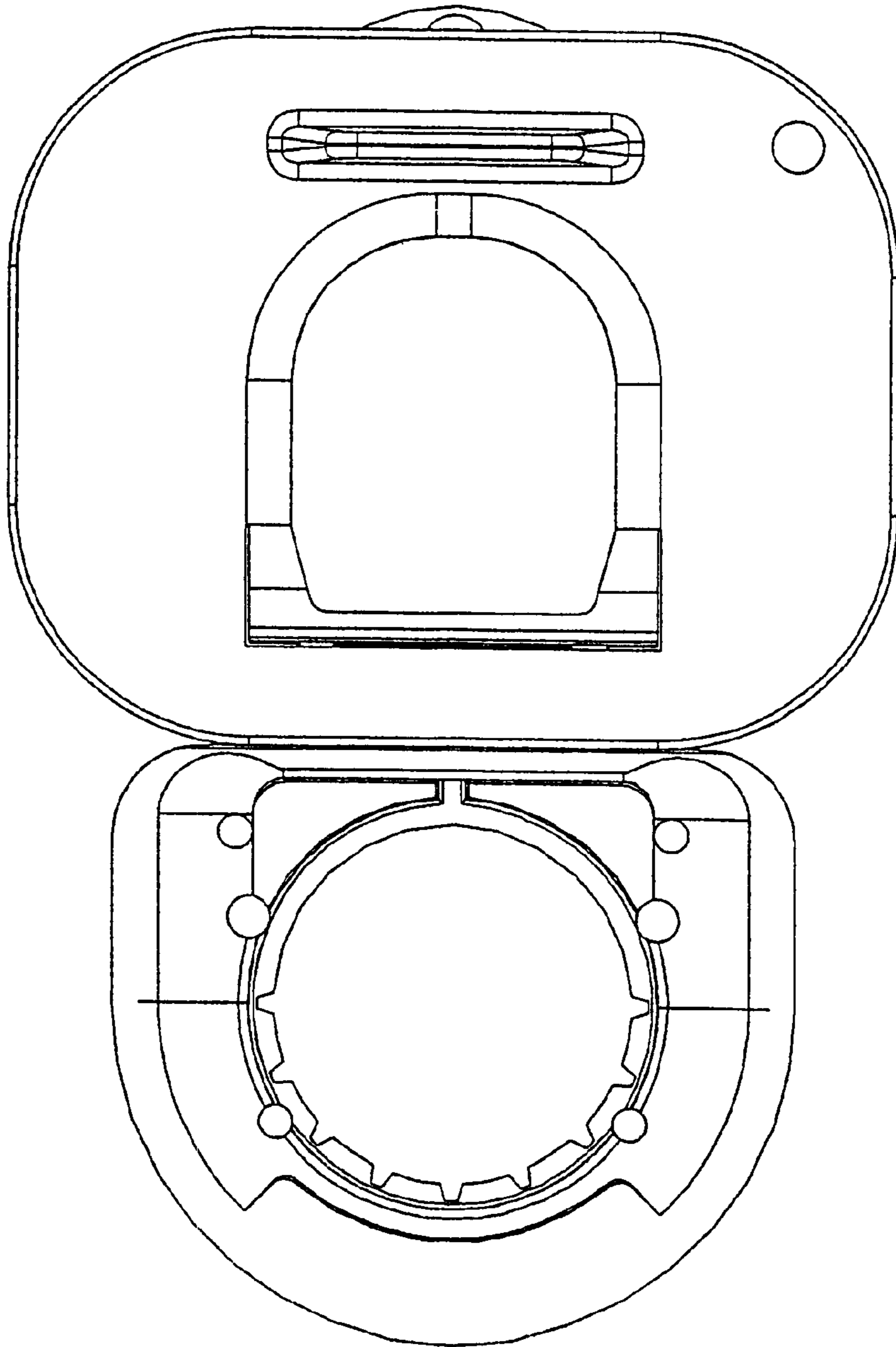


FIG. 1

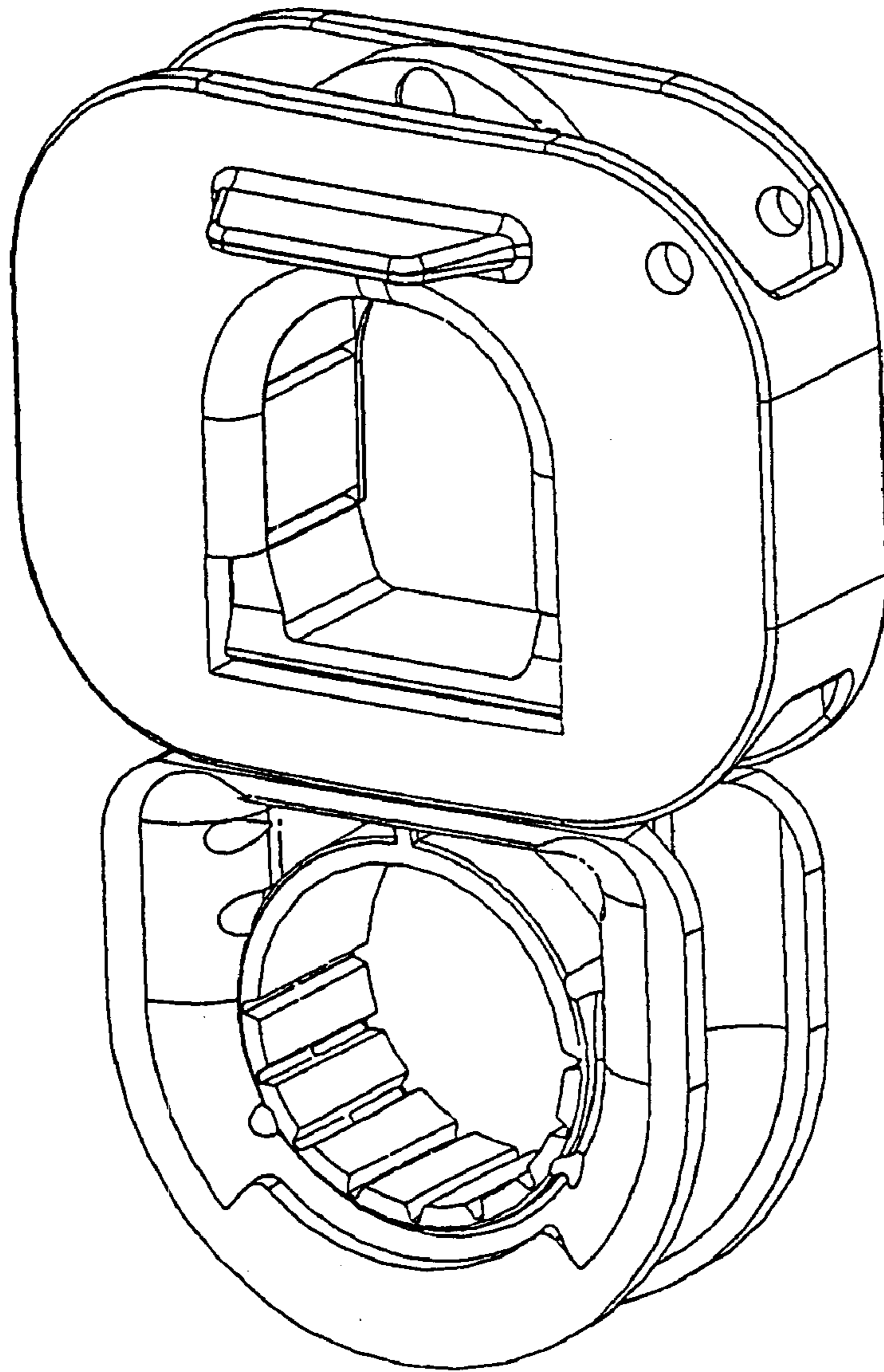


FIG. 2

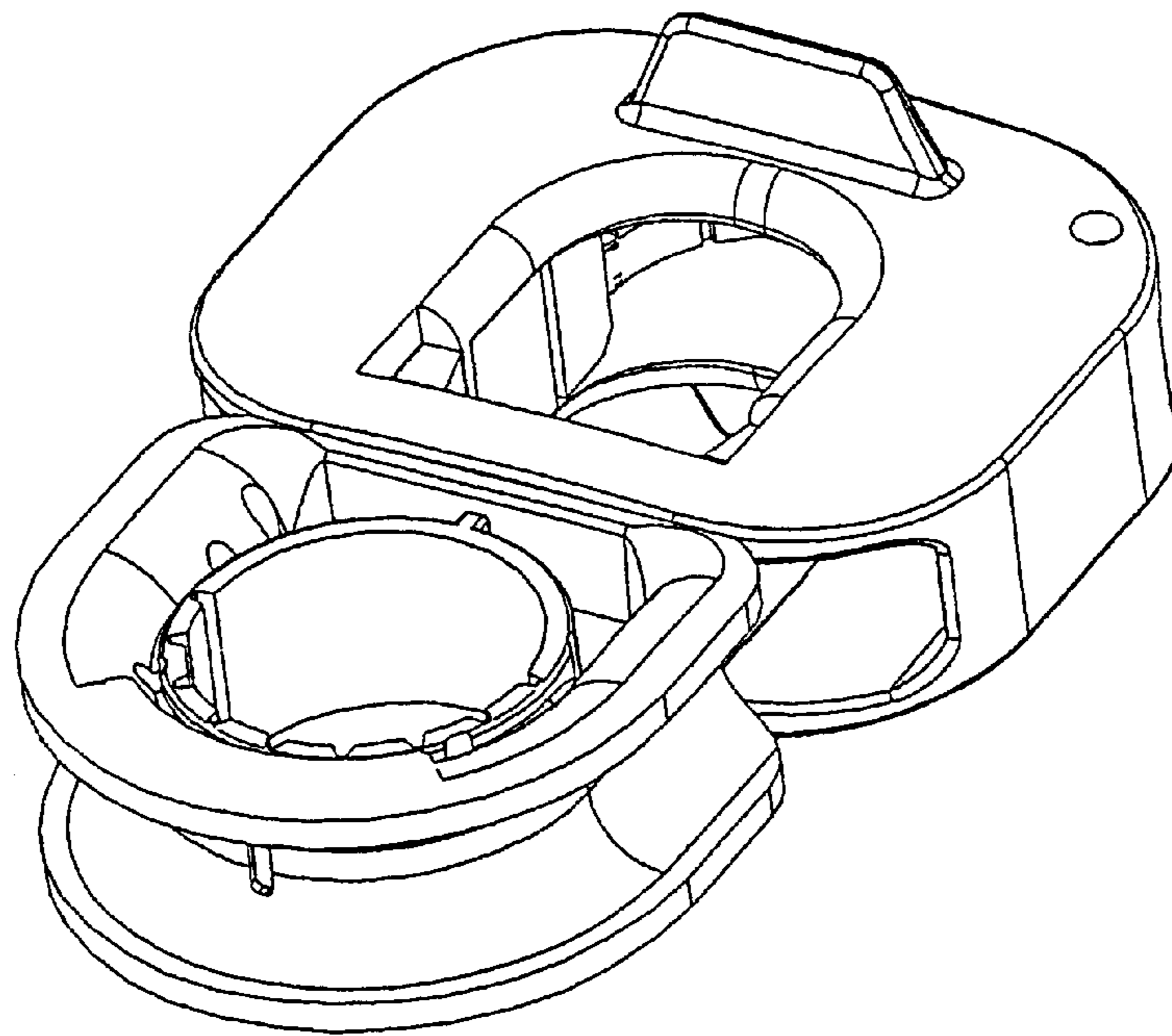


FIG. 3

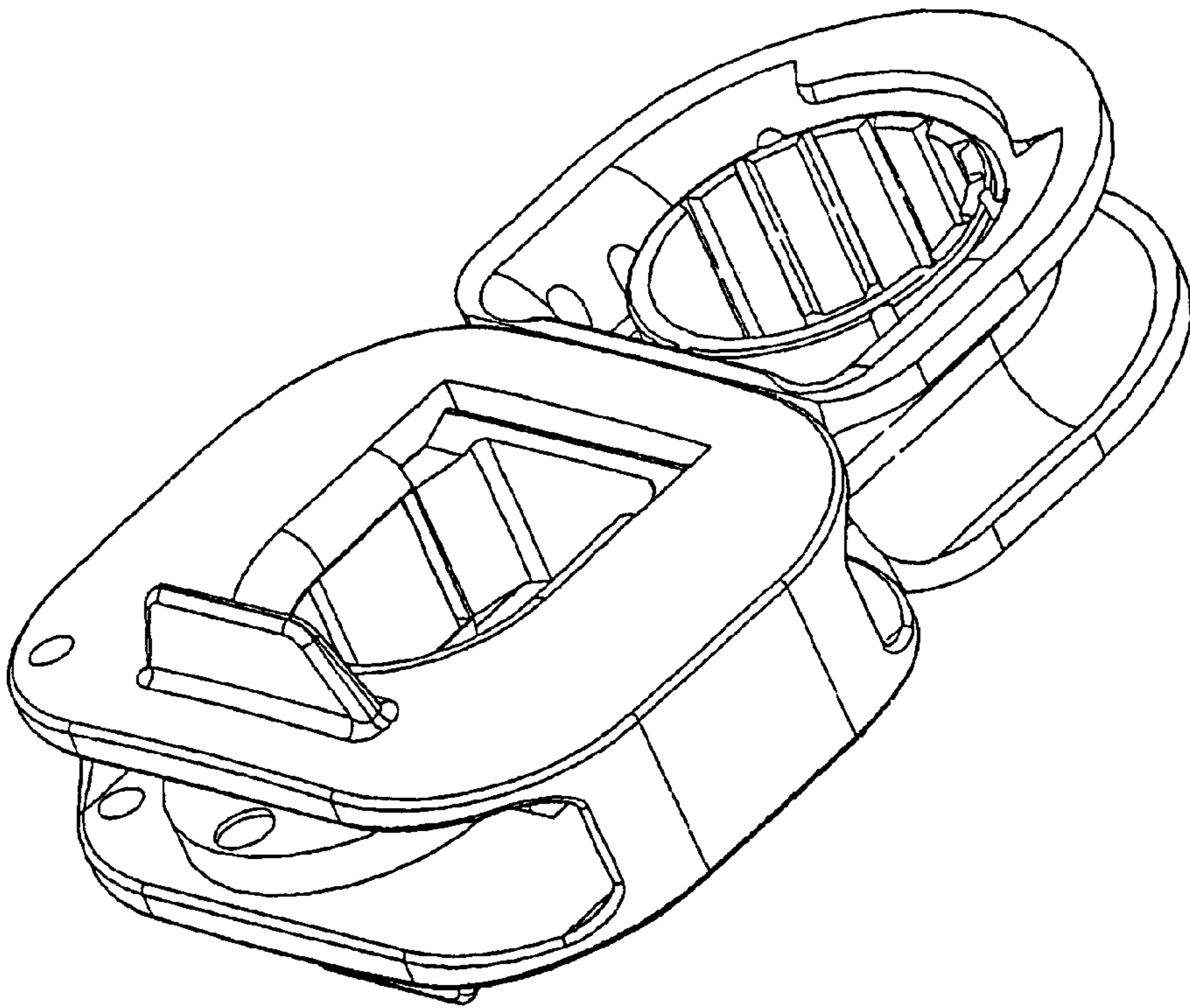


FIG. 4

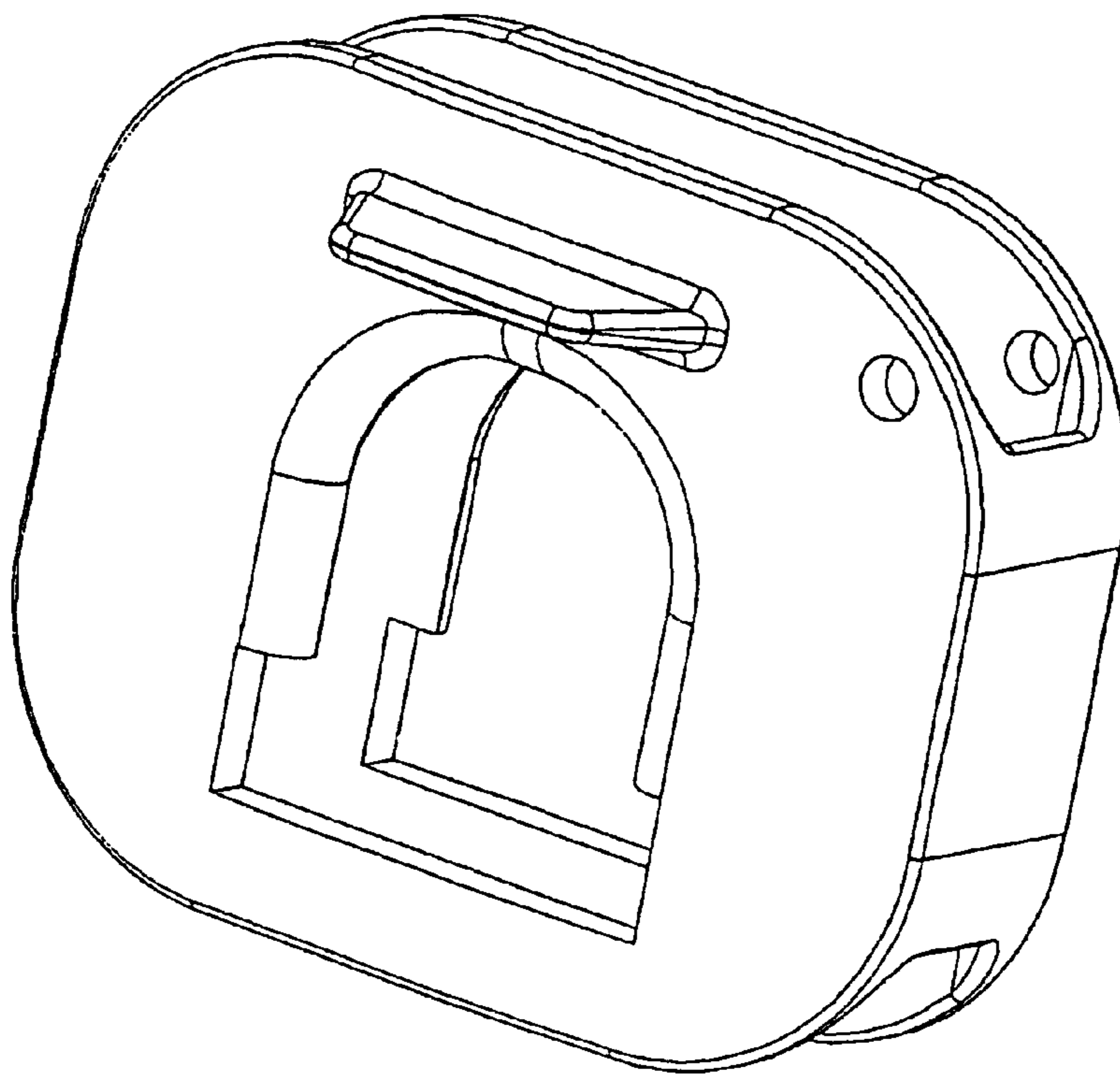


FIG. 5

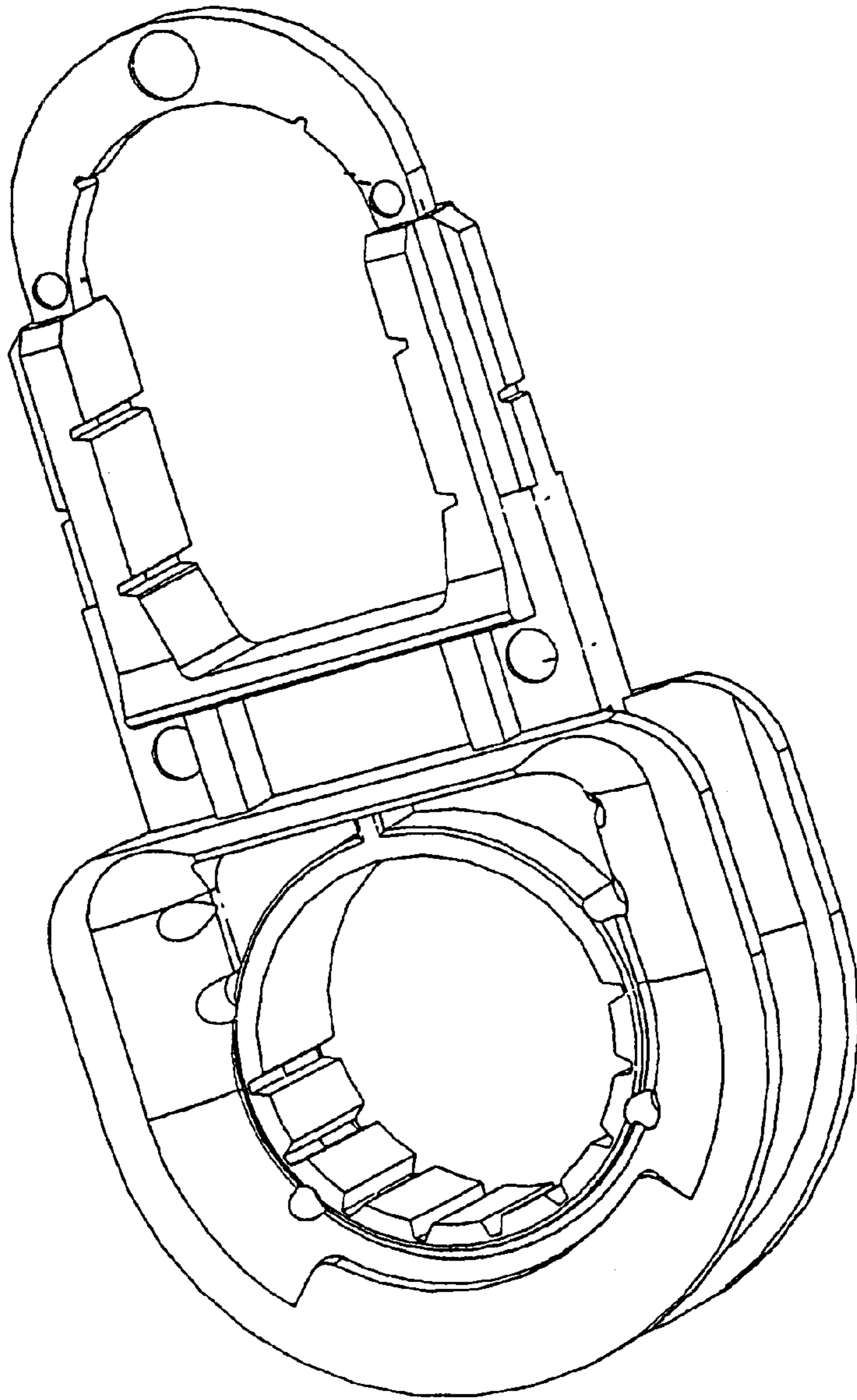


FIG. 6