



US00D489312S

(12) **United States Design Patent**
Ziemer et al.

(10) **Patent No.:** **US D489,312 S**

(45) **Date of Patent:** **** May 4, 2004**

(54) **BOAT CLEAT**

FOREIGN PATENT DOCUMENTS

(76) Inventors: **David J. Ziemer**, 12644 Church St.,
Holland, NY (US) 14080; **Diane H. Baker-Ziemer**, 12644 Church St.,
Holland, NY (US) 14080

DE 19610249 * 6/1997

OTHER PUBLICATIONS

Overtons Catalog, p. 71, (Date Unknown).

(**) Term: **14 Years**

* cited by examiner

(21) Appl. No.: **29/167,595**

Primary Examiner—Holly Baynham

(22) Filed: **Sep. 17, 2002**

(74) *Attorney, Agent, or Firm*—Simpson & Simpson, PLLC

(51) **LOC (7) Cl.** **12-06**

(52) **U.S. Cl.** **D12/317**

(58) **Field of Search** D12/317, 162;
D11/157, 163; 114/218

(57) **CLAIM**

The ornamental design for a boat cleat, as shown.

DESCRIPTION

(56) **References Cited**

U.S. PATENT DOCUMENTS

D42,391 S	4/1912	Gebelien	
D106,247 S	9/1937	Bohland	
3,118,418 A	1/1964	Faul	
RE28,550 E	9/1975	Perkins	
D243,673 S	3/1977	West	
5,279,243 A	1/1994	Cole	
D393,304 S	* 4/1998	Yeh	D21/548
D404,683 S	1/1999	Kostic	
D415,800 S	* 10/1999	Norton	D21/549
D417,177 S	11/1999	Contreras	
6,009,824 A	1/2000	Ross	
D423,401 S	* 4/2000	Wolford	D11/131.1

FIG. 1 is a perspective view of a boat cleat showing our new design;

FIG. 2 is a top plan view of the present invention;

FIG. 3 is a right side elevational view of the first embodiment of the present invention;

FIG. 4 is a bottom plan view of the first embodiment of the present invention;

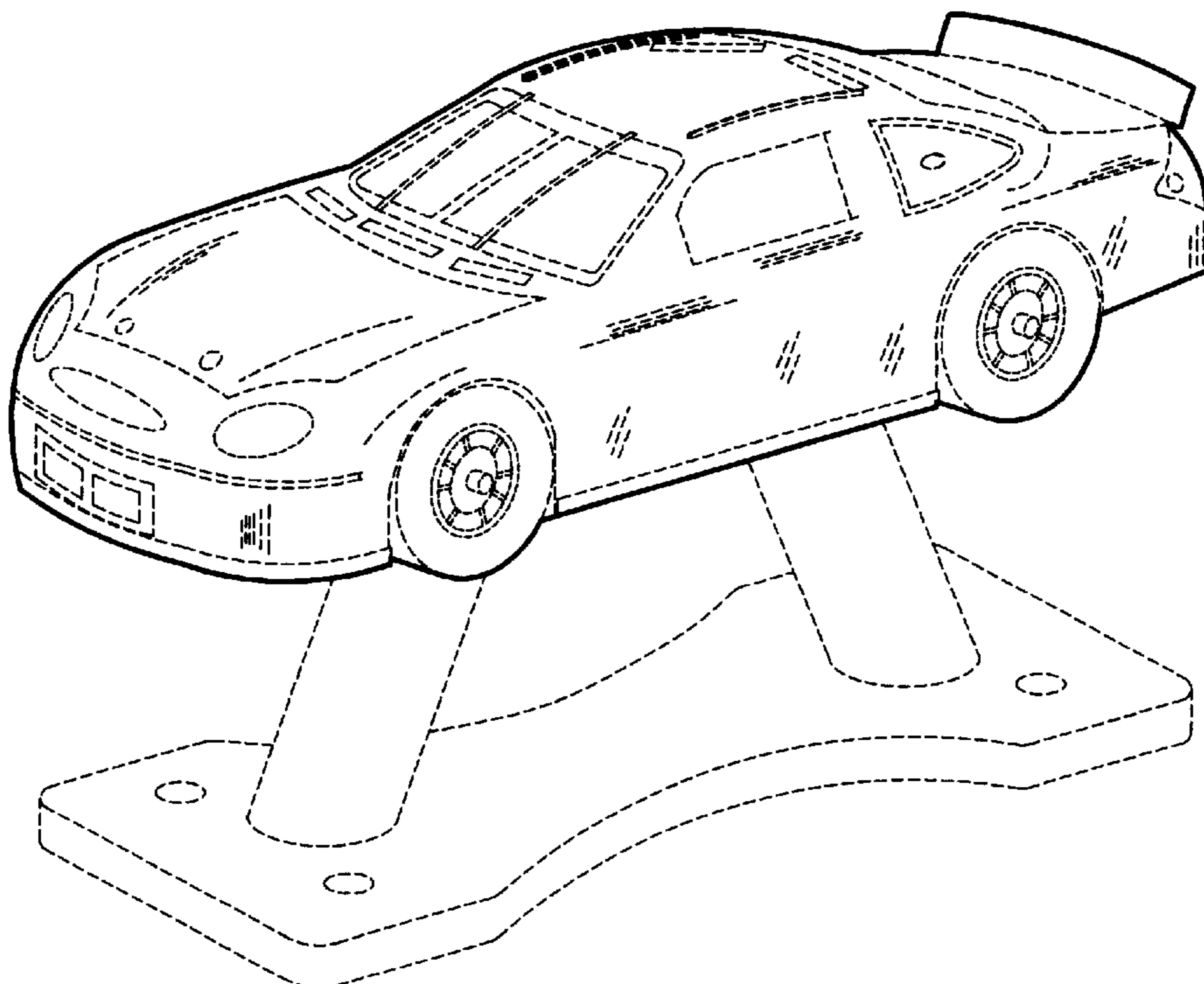
FIG. 5 is a left side elevational view of the first embodiment of the present invention;

FIG. 6 is a front elevational view of the first embodiment of the present invention; and,

FIG. 7 is a rear elevational view of the first embodiment of the present invention.

The broken lines are for illustrative purposes only and form no part of the claimed design.

1 Claim, 4 Drawing Sheets



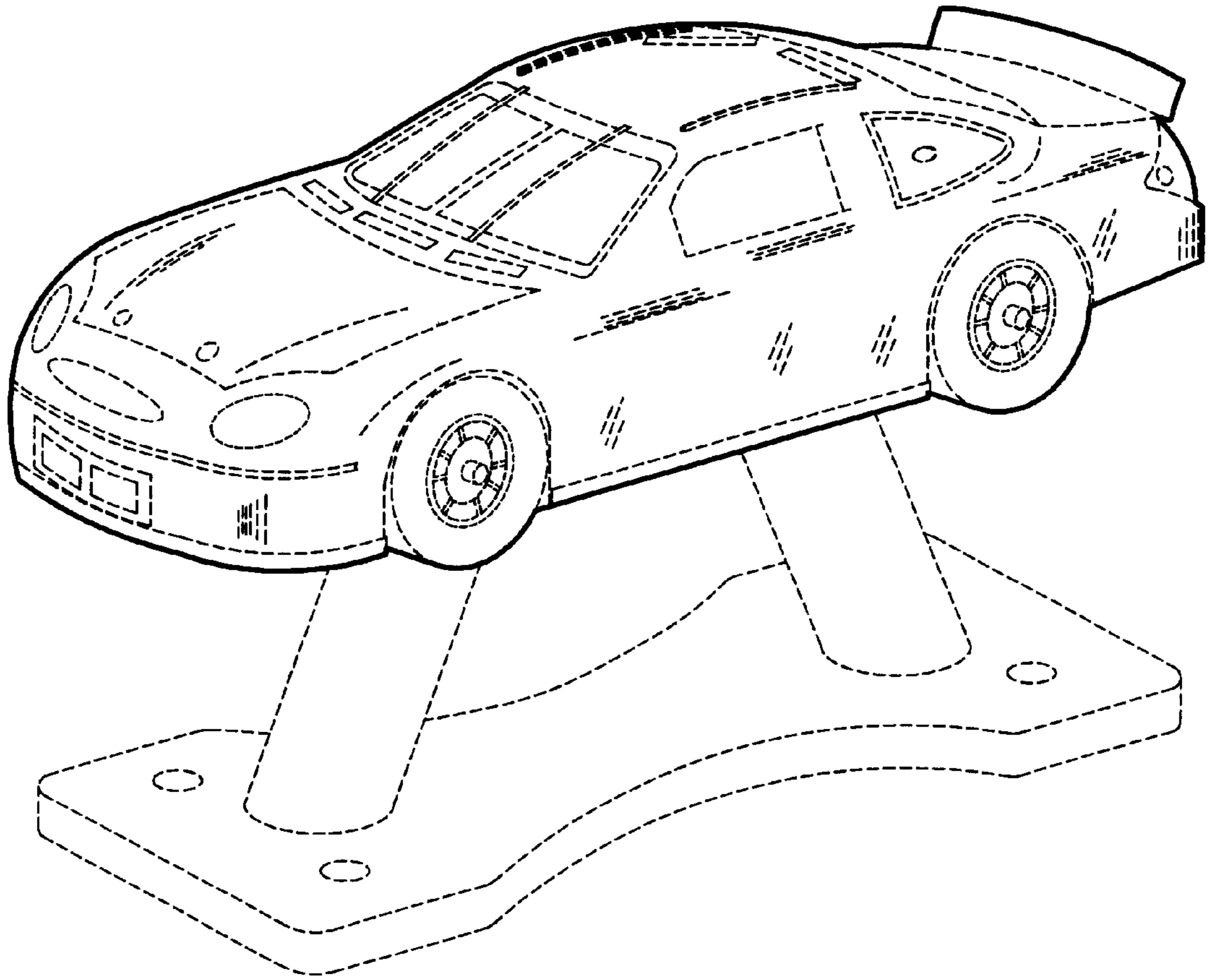


FIG. 1

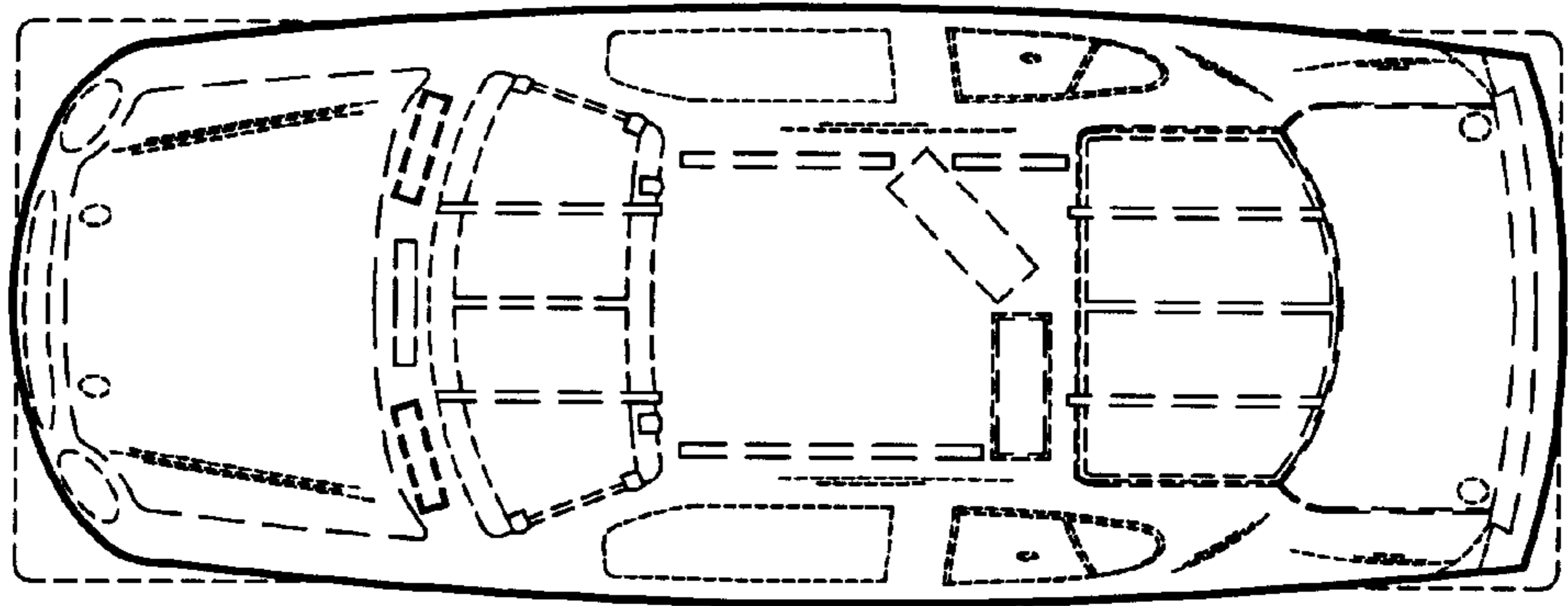


FIG. 2

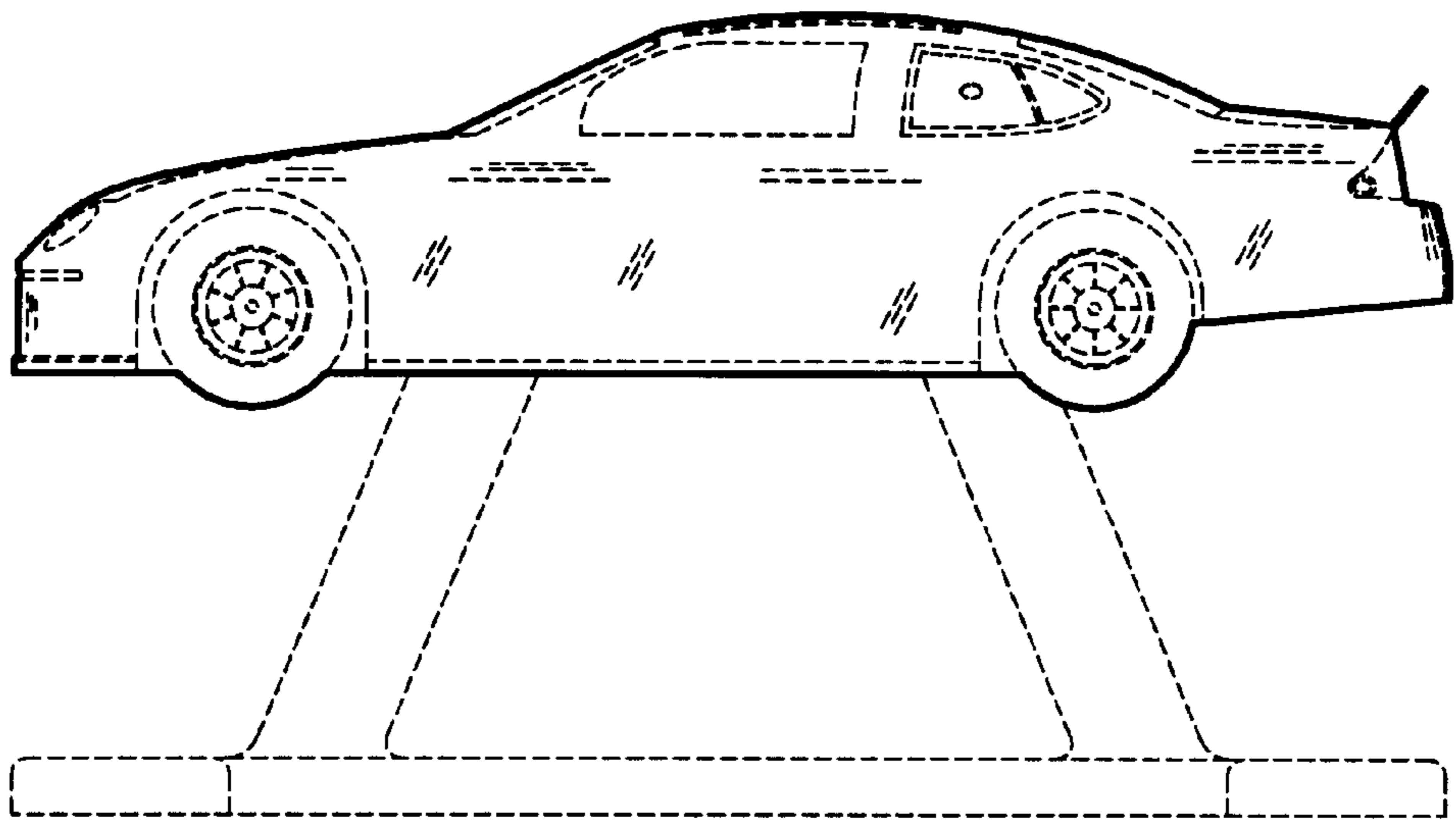


FIG. 3

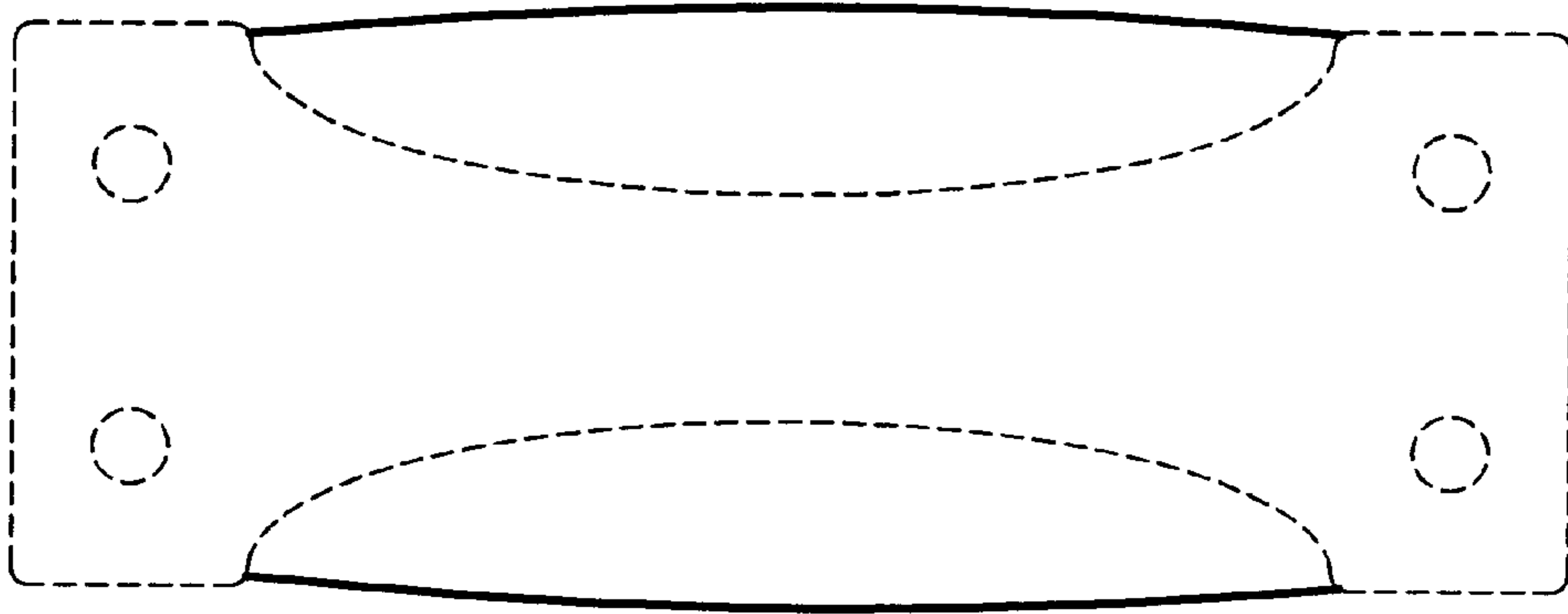


FIG. 4

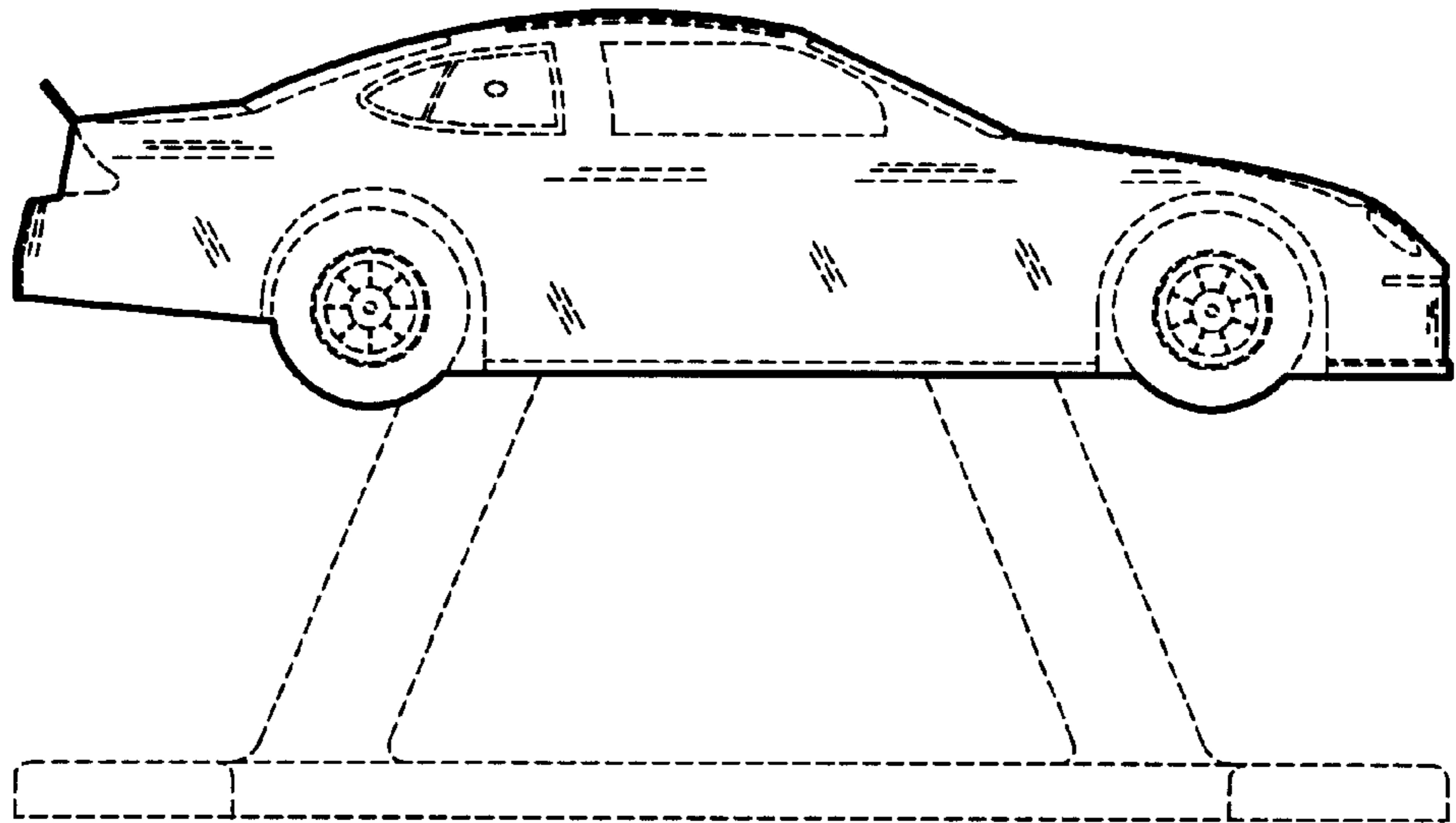


FIG. 5

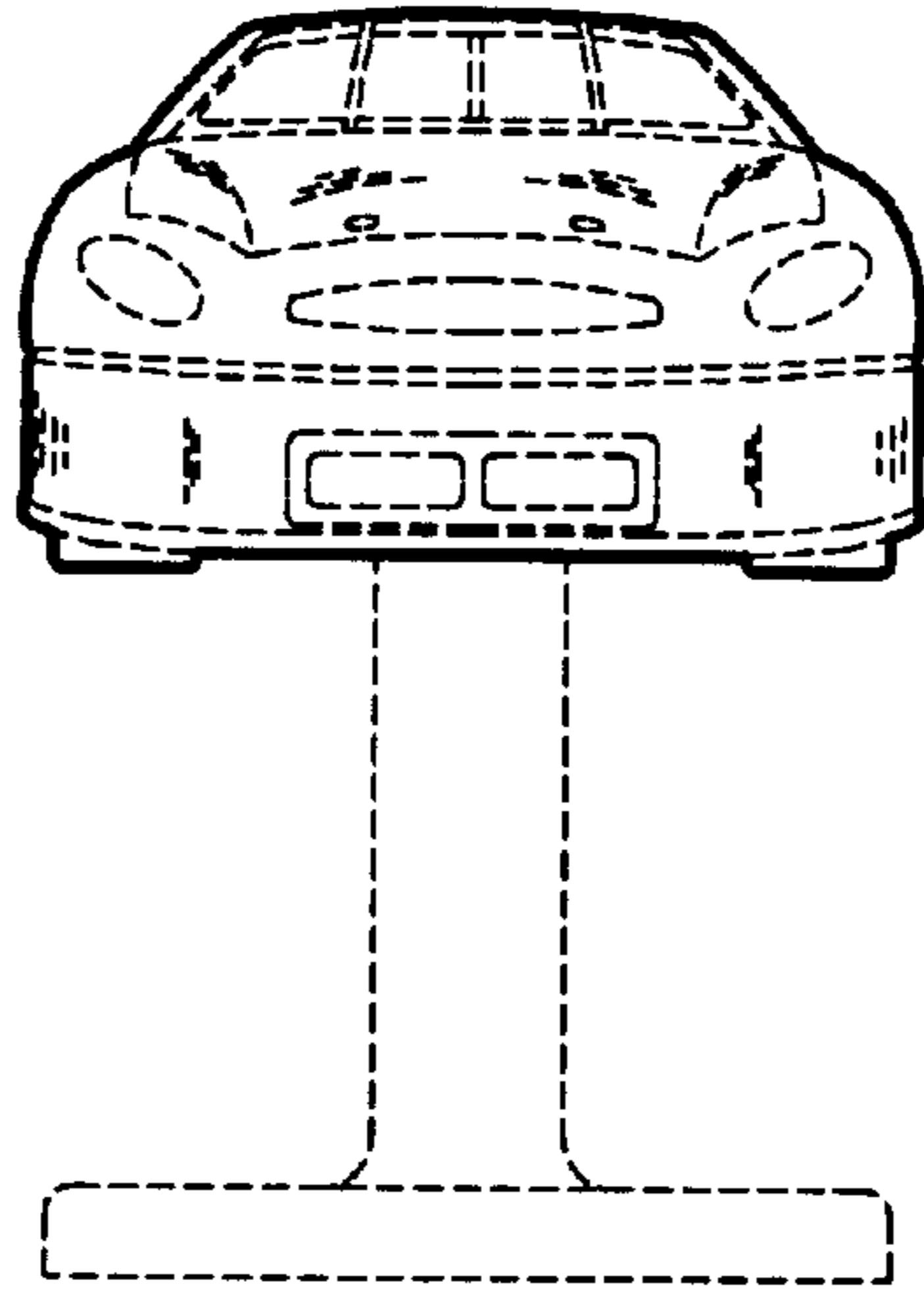


FIG. 6

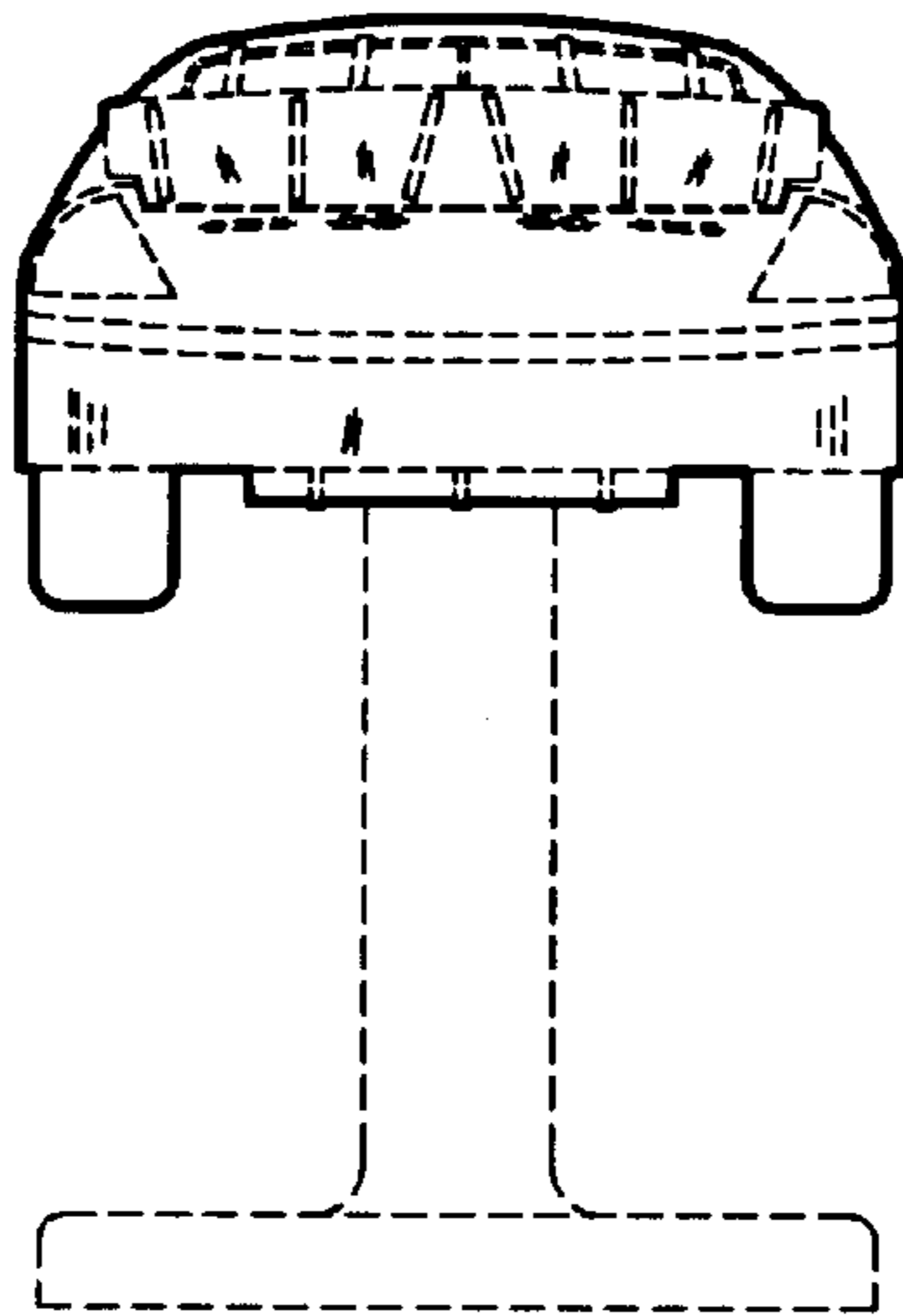


FIG. 7