



US00D489311S

(12) **United States Design Patent**
Eck

(10) **Patent No.:** **US D489,311 S**

(45) **Date of Patent:** **** May 4, 2004**

(54) **BOAT**

D459,693 S * 7/2002 Aube et al. D12/300

(75) Inventor: **Richard E. Eck**, Mount Vernon, IL
(US)

* cited by examiner

(73) Assignee: **Bombardier Recreational Products Inc.**, Montreal (CA)

Primary Examiner—Lisa Lichtenstein

(74) *Attorney, Agent, or Firm*—BRP Legal Services

(**) Term: **14 Years**

(57) **CLAIM**

The ornamental design for a boat, as shown and described.

(21) Appl. No.: **29/178,720**

DESCRIPTION

(22) Filed: **Apr. 1, 2003**

FIG. 1 is a perspective view of the boat of my design;

(51) **LOC (7) Cl.** **12-06**

FIG. 2 is a front view thereof;

(52) **U.S. Cl.** **D12/300**

FIG. 3 is a rear view thereof;

(58) **Field of Search** D12/300-318;
114/343, 361

FIG. 4 is a left side view thereof;

FIG. 5 is a right side view thereof;

FIG. 6 is a top view thereof; and,

FIG. 7 is a bottom view thereof.

(56) **References Cited**

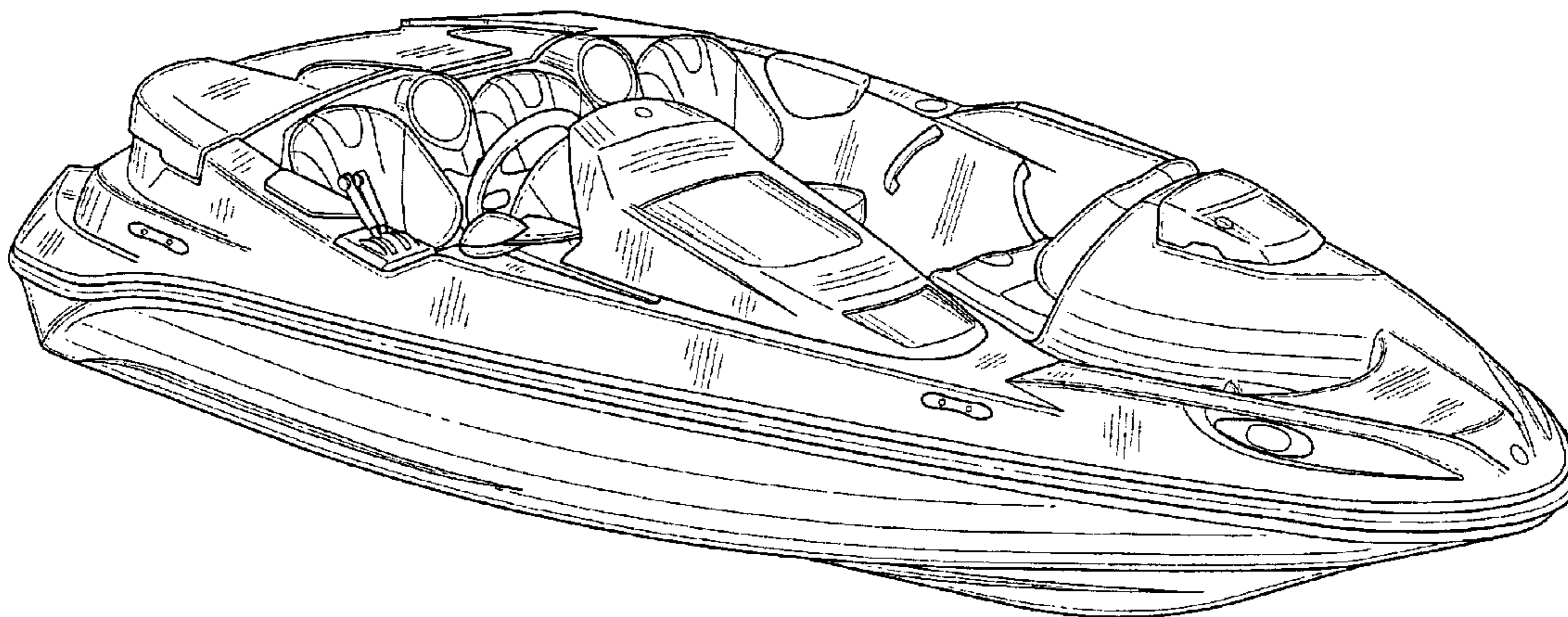
Where included, broken lines showing environment or structure are for illustrative purposes only and form no part of the claimed design.

U.S. PATENT DOCUMENTS

D375,479 S * 11/1996 Lapointe et al. D12/307

D409,555 S * 5/1999 Lapointe et al. D12/300

1 Claim, 6 Drawing Sheets



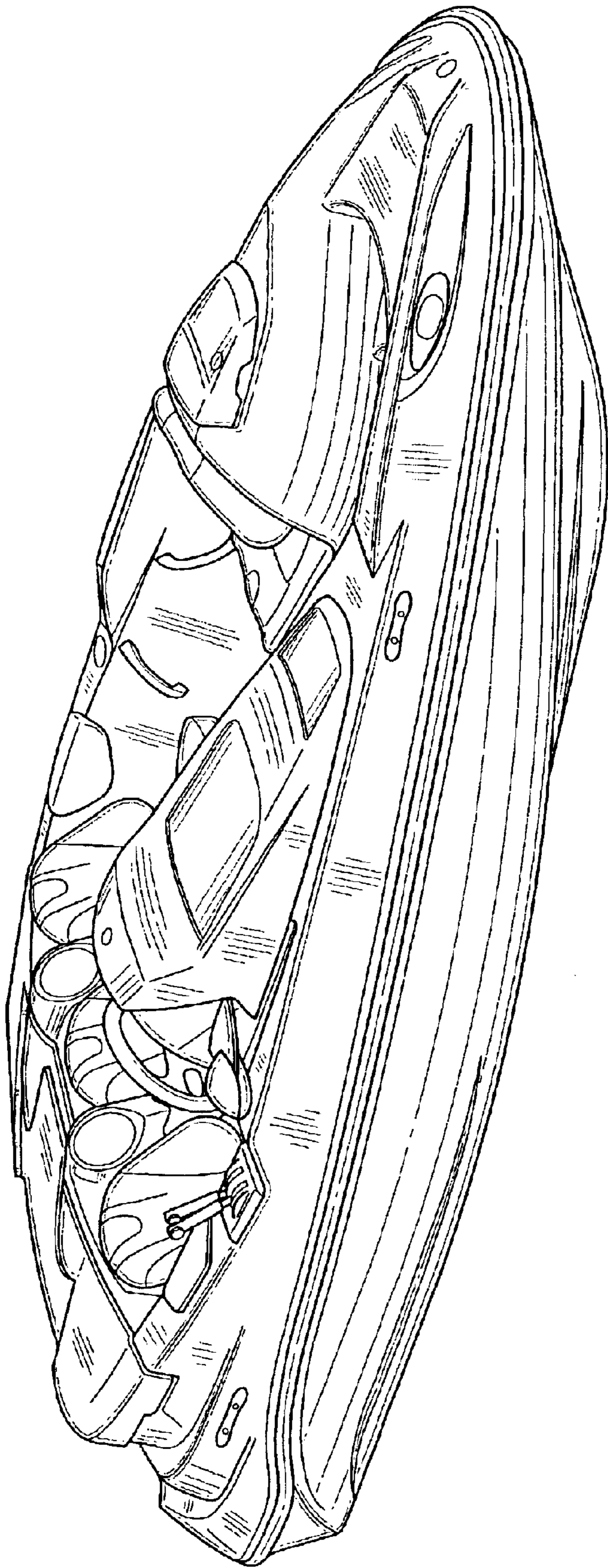


FIG. 1

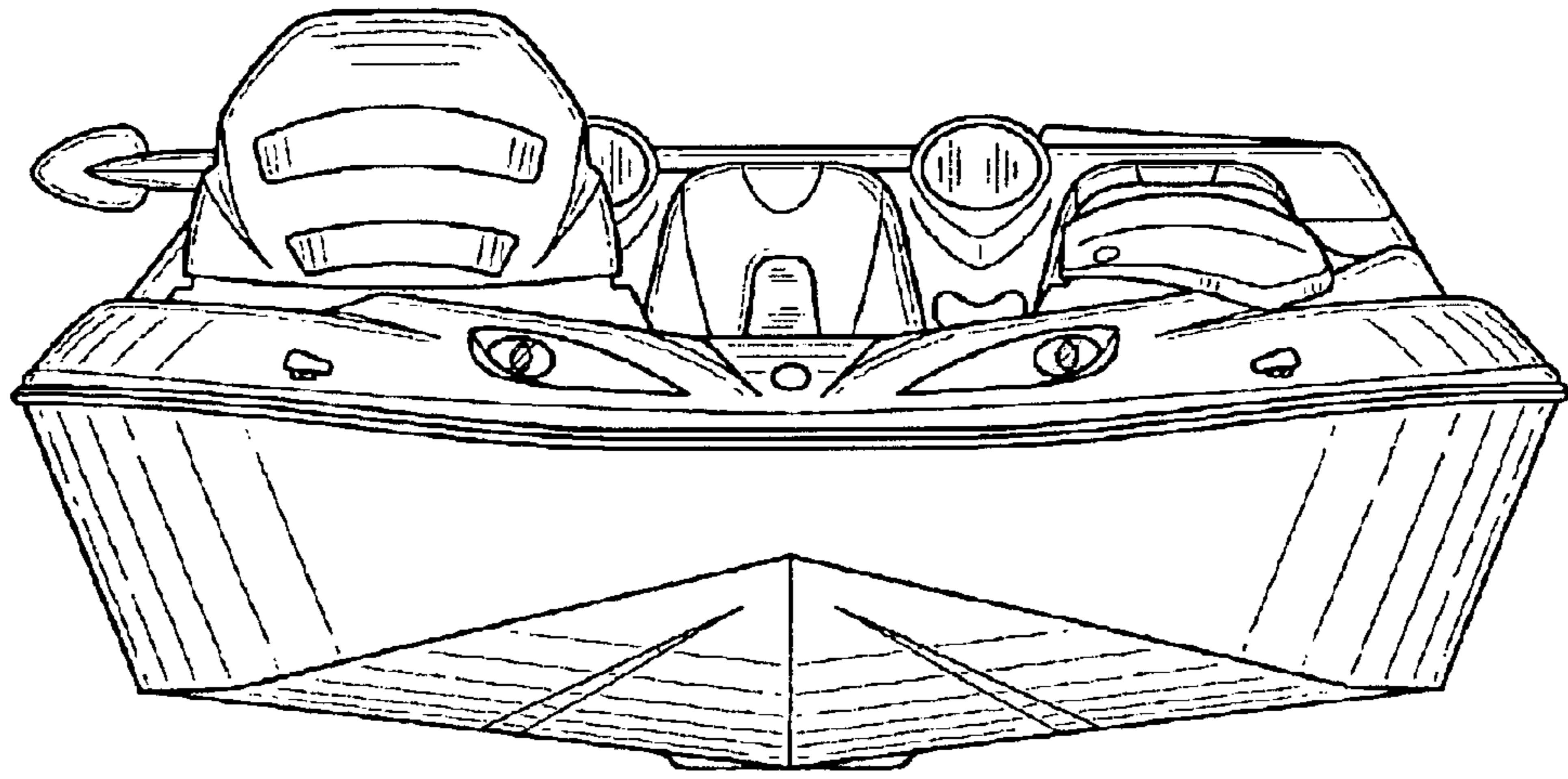


FIG. 2

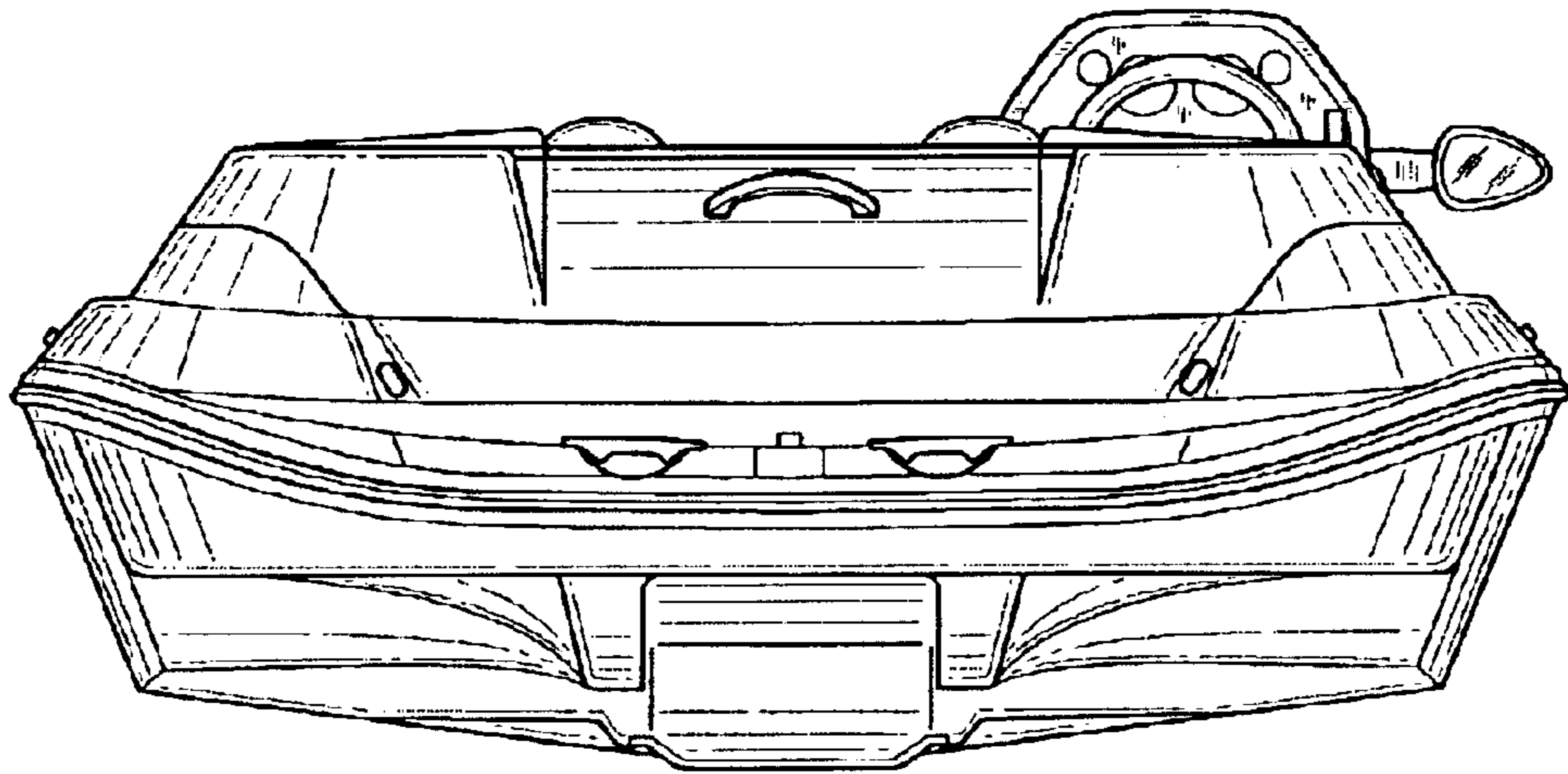


FIG. 3

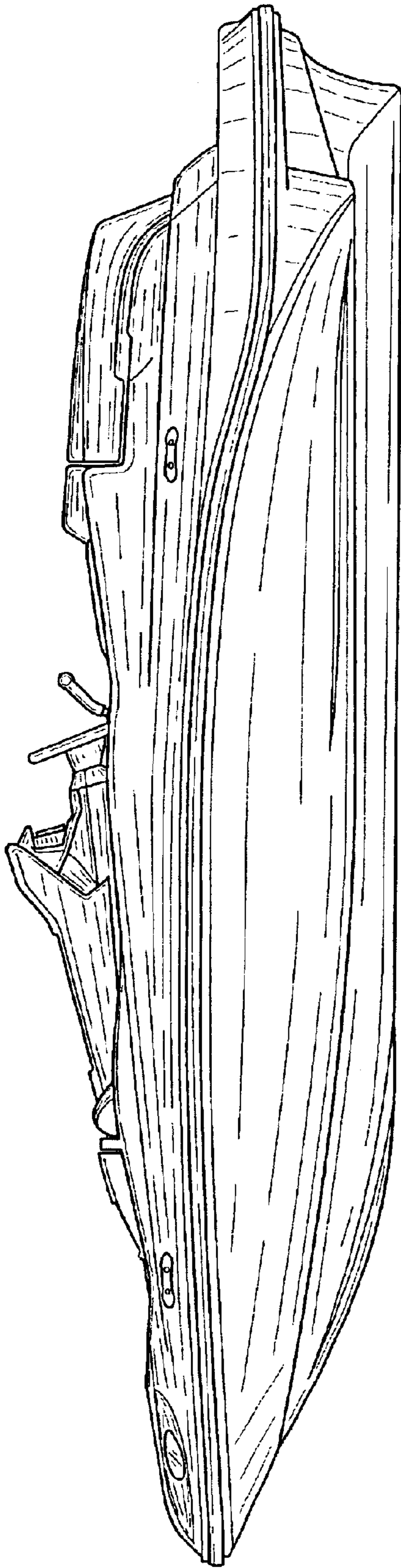


FIG. 4

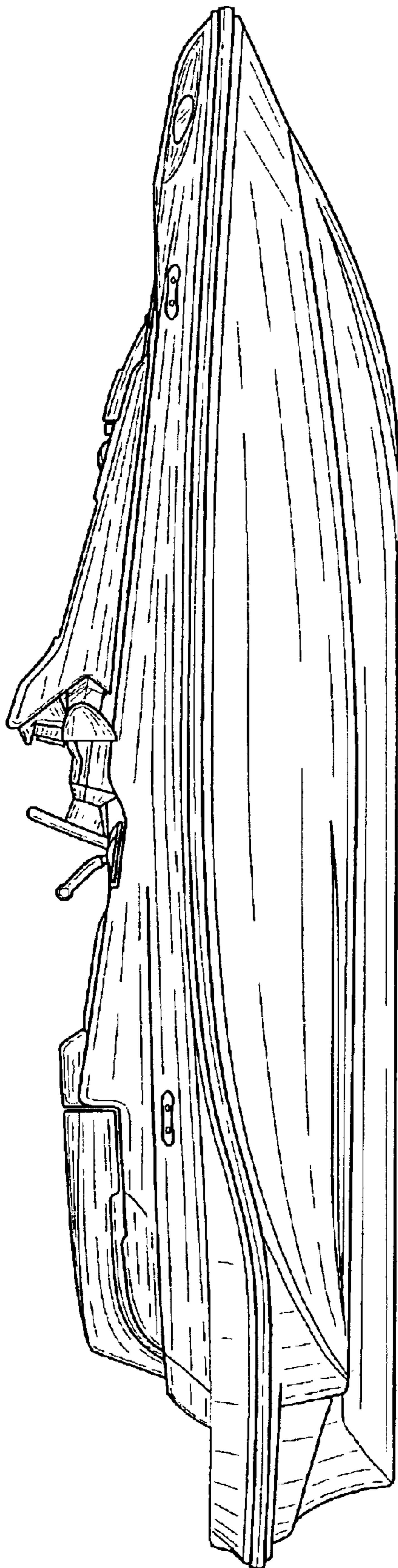


FIG. 5

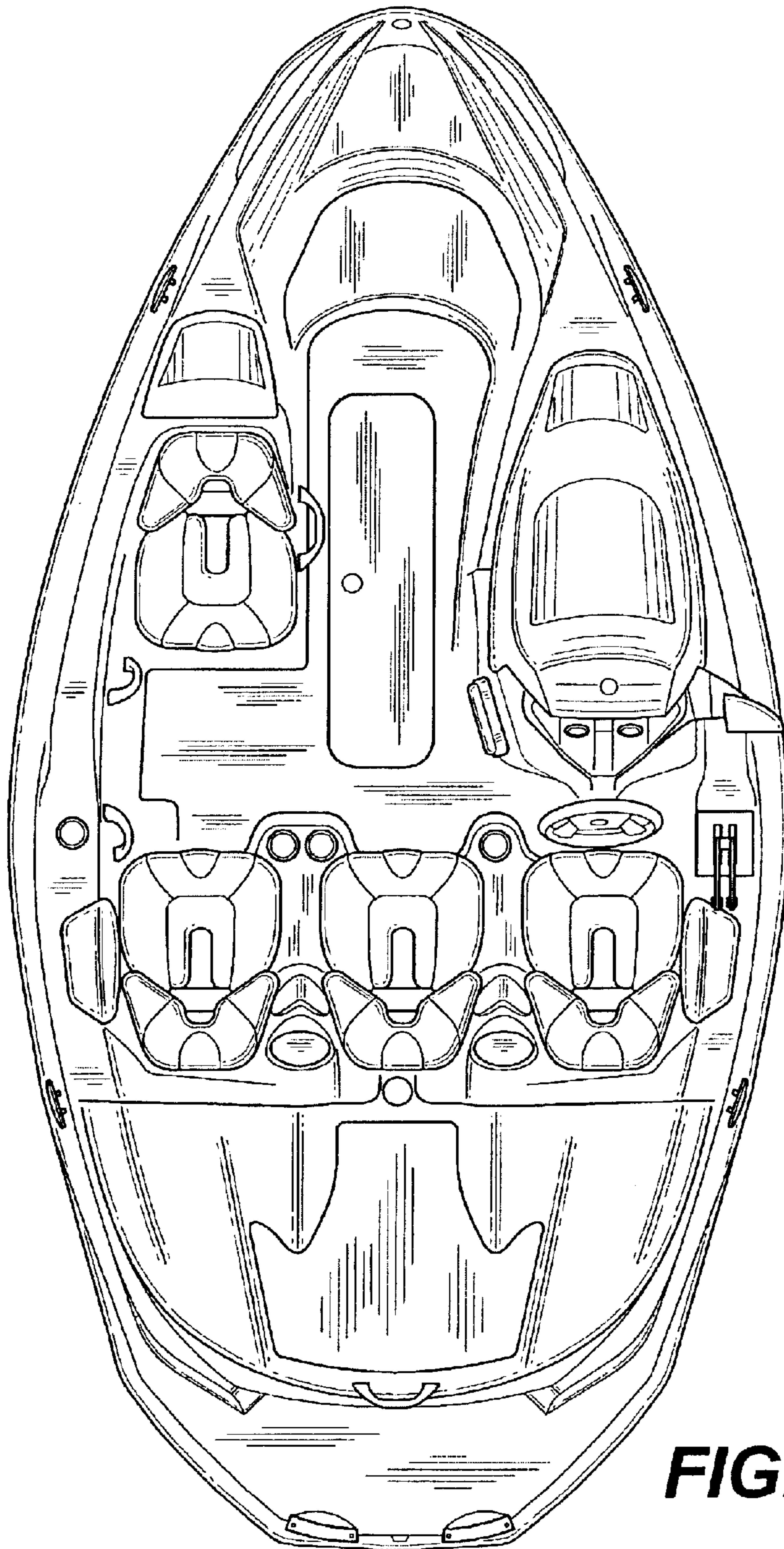


FIG. 6

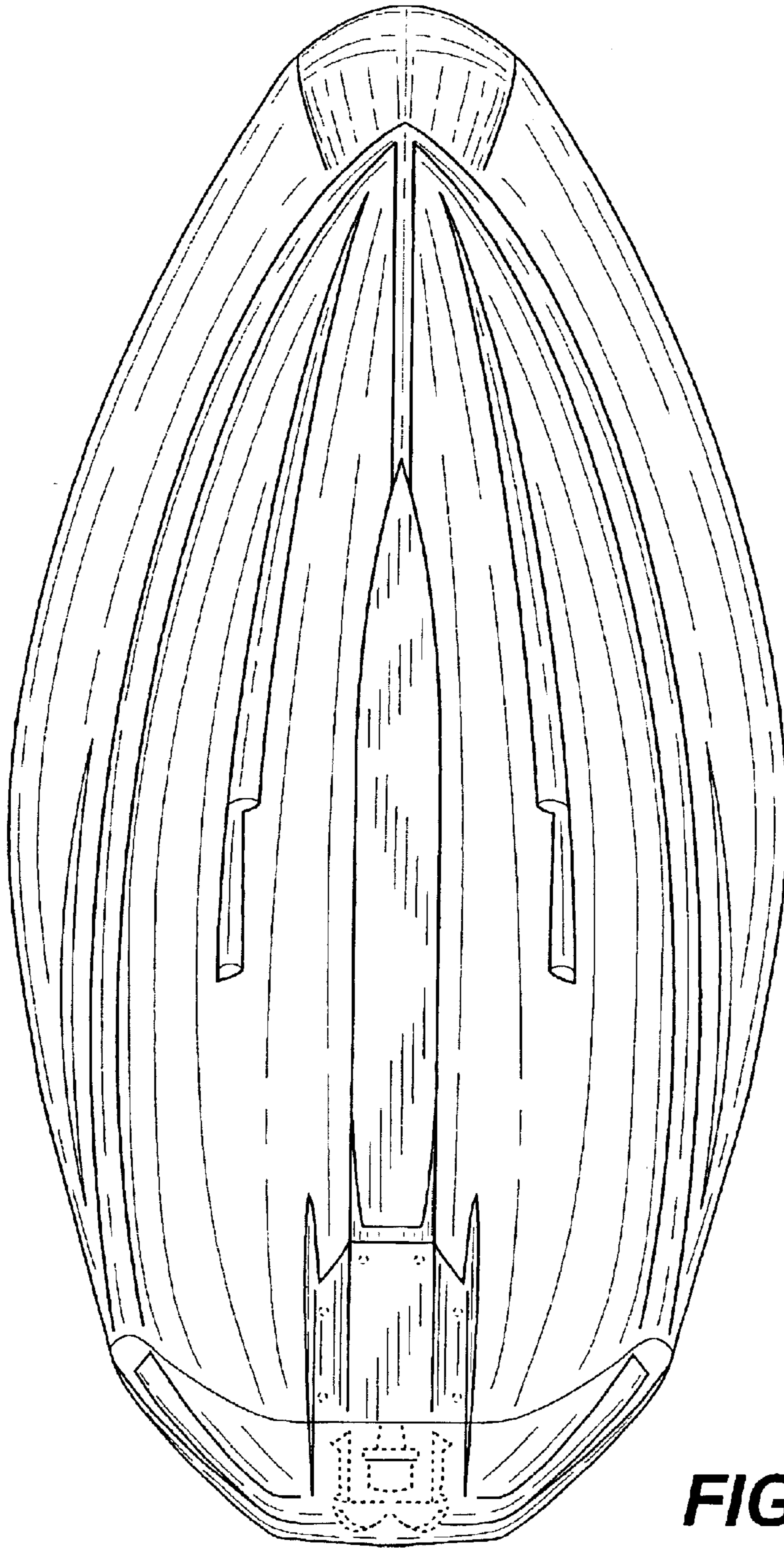


FIG. 7