



US00D489309S

(12) **United States Design Patent**  
**Laengerer**

(10) **Patent No.:** **US D489,309 S**

(45) **Date of Patent:** **\*\* May 4, 2004**

(54) **FRONT FACE OF A VEHICLE WHEEL**

(75) Inventor: **Marcus Laengerer**, Renningen (DE)

(73) Assignee: **DaimlerChrysler AG**, Stuttgart (DE)

(\*\*) Term: **14 Years**

(21) Appl. No.: **29/169,615**

(22) Filed: **Oct. 24, 2002**

(30) **Foreign Application Priority Data**

Apr. 25, 2002 (DE) ..... 402 03 627

(51) **LOC (7) Cl.** ..... **12-16**

(52) **U.S. Cl.** ..... **D12/211**

(58) **Field of Search** ..... D12/204-213;  
301/37.101, 64.101, 65

(56) **References Cited**

**U.S. PATENT DOCUMENTS**

D361,547 S	*	8/1995	Weld	.....	D12/211
D407,364 S	*	3/1999	Fisker	.....	D12/209
D412,692 S	*	8/1999	Hussaini	.....	D12/209
D426,184 S	*	6/2000	Goplen	.....	D12/209
D428,846 S	*	8/2000	Yoshida et al.	.....	D12/211
D433,374 S	*	11/2000	Wang	.....	D12/209
D433,659 S	*	11/2000	Frizzi	.....	D12/211

D450,647 S	*	11/2001	Pfeiffer	.....	D12/211
D454,105 S	*	3/2002	Pfeiffer	.....	D12/209
D460,037 S	*	7/2002	Takechi	.....	D12/211
D467,213 S	*	12/2002	Pfeiffer et al.	.....	D12/211
D467,855 S	*	12/2002	Laengerer	.....	D12/209
D477,262 S	*	7/2003	Koch	.....	D12/209

\* cited by examiner

*Primary Examiner*—Stacia Cadmus

(74) *Attorney, Agent, or Firm*—Crowell & Moring LLP

(57) **CLAIM**

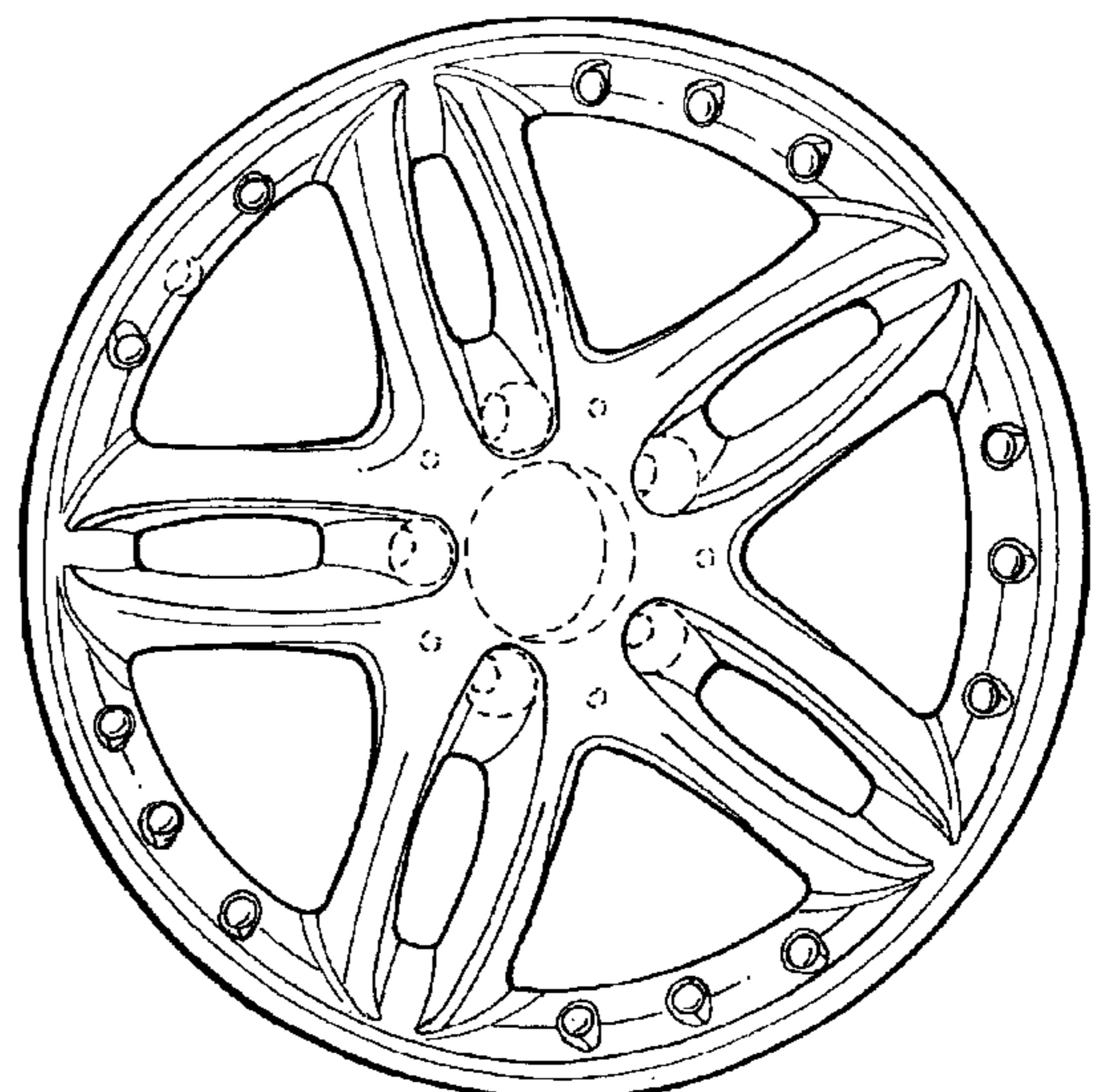
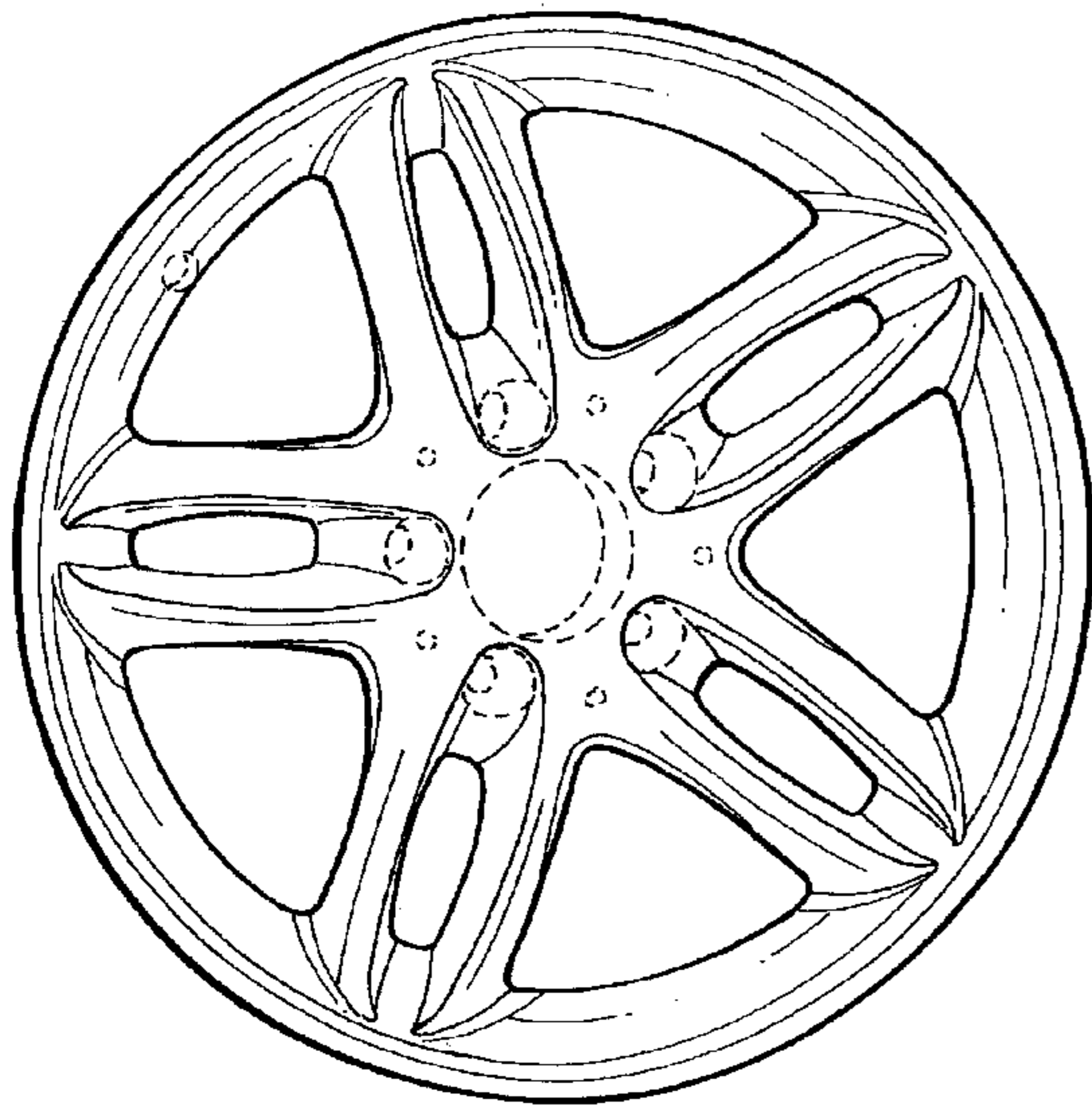
The ornamental design for a front face of a vehicle wheel, as shown and described.

**DESCRIPTION**

FIG. 1 is a front view of a first embodiment of a front face of a vehicle wheel according to my novel design; FIG. 2 is a perspective view of the first embodiment of the front face of a vehicle wheel according to my novel design; FIG. 3 is a front view of a second embodiment of the front face of a vehicle wheel according to my novel design; and, FIG. 4 is a perspective view of the second embodiment of the front face of a vehicle wheel according to my novel design.

The dash lines included depict environment and are not part of the claimed design.

**1 Claim, 2 Drawing Sheets**



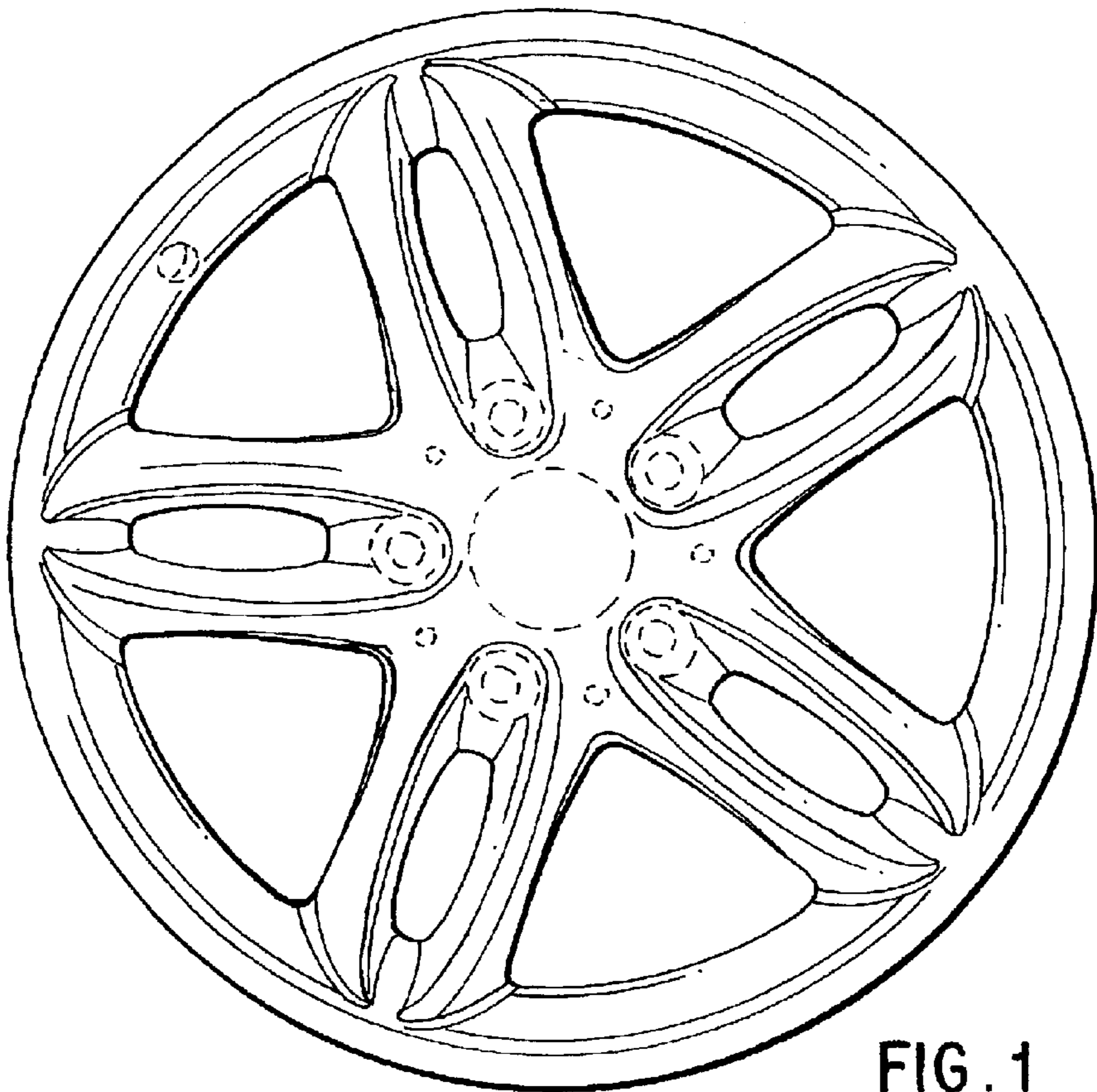


FIG. 1

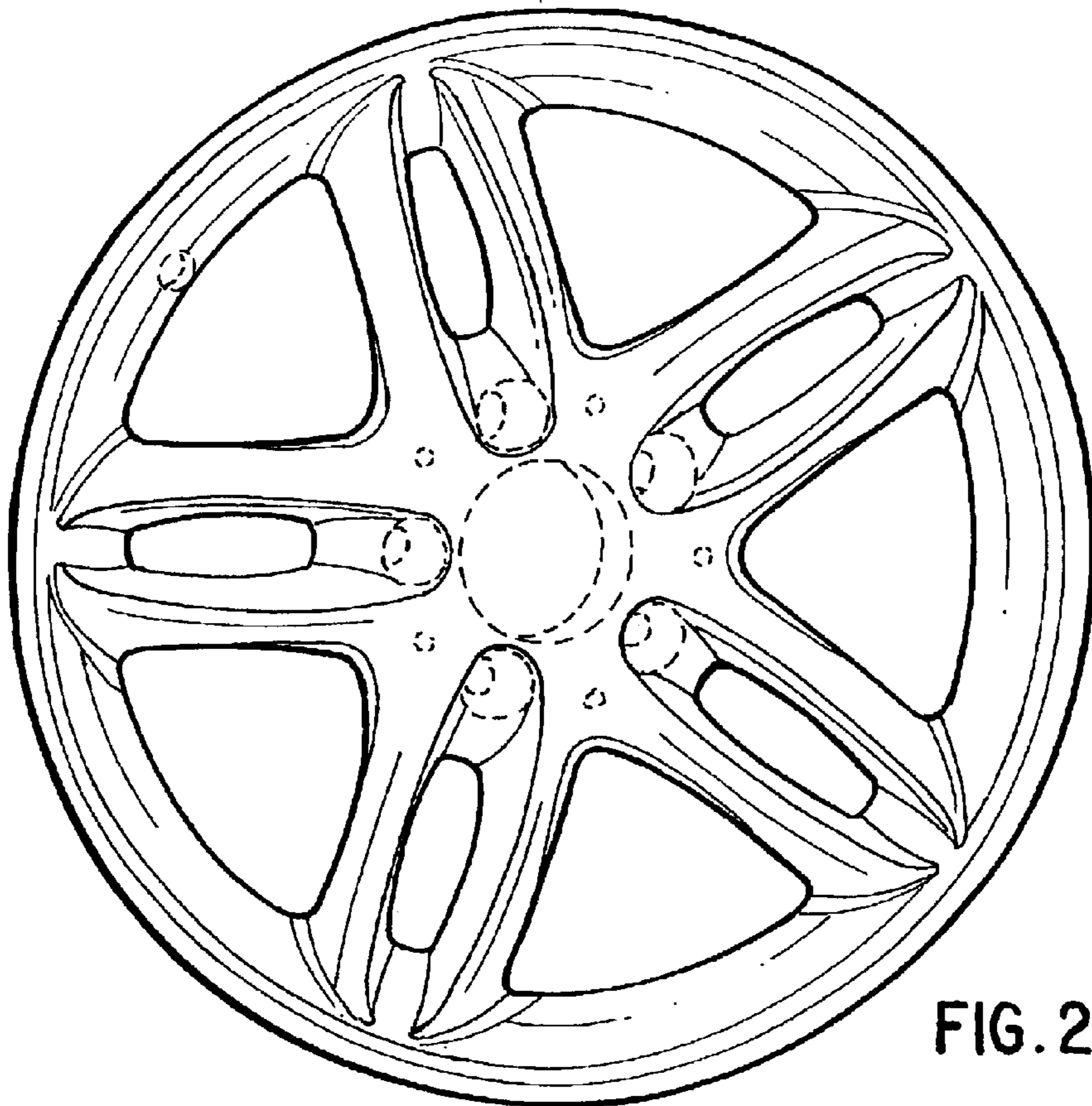


FIG. 2

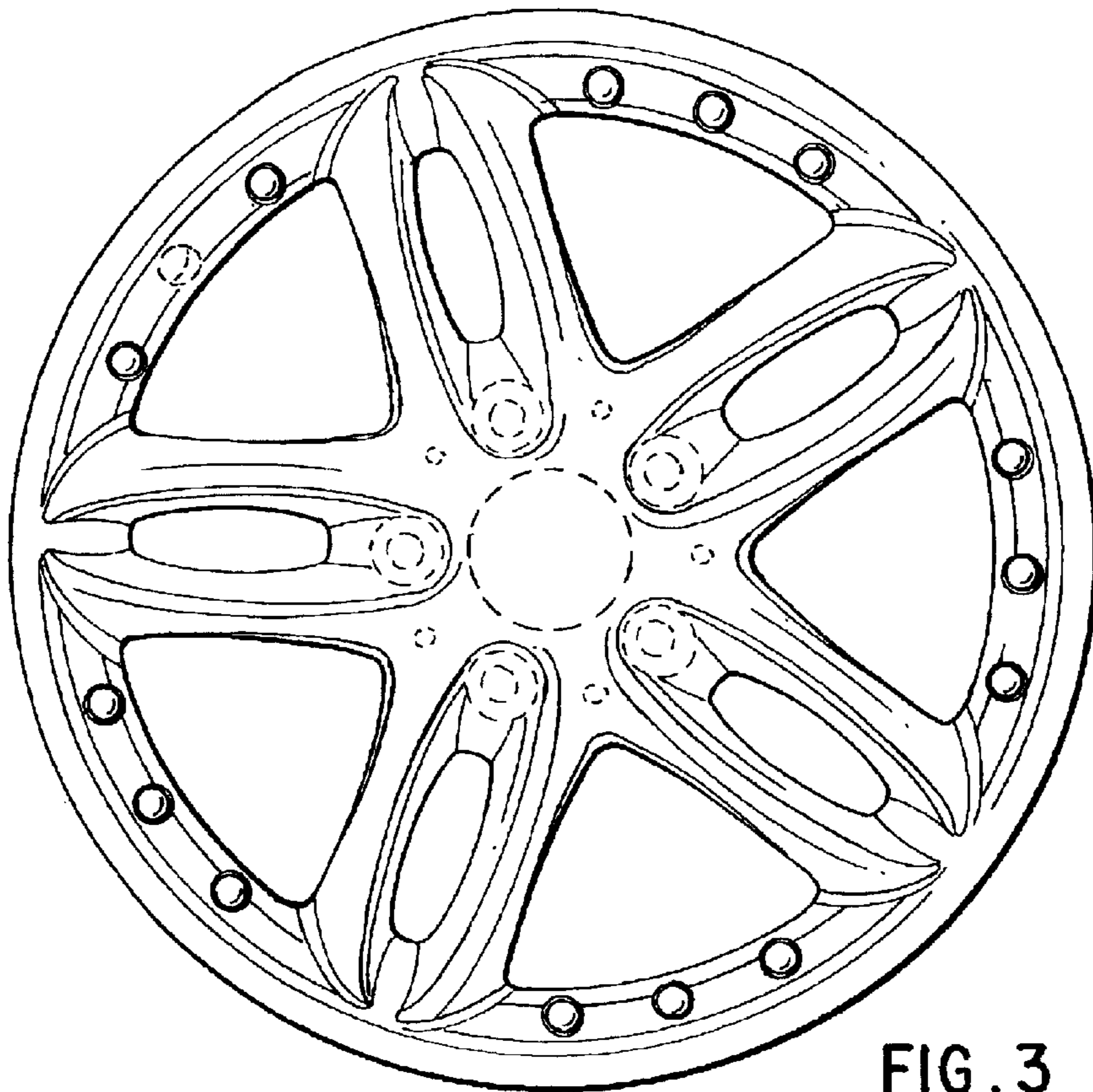


FIG. 3

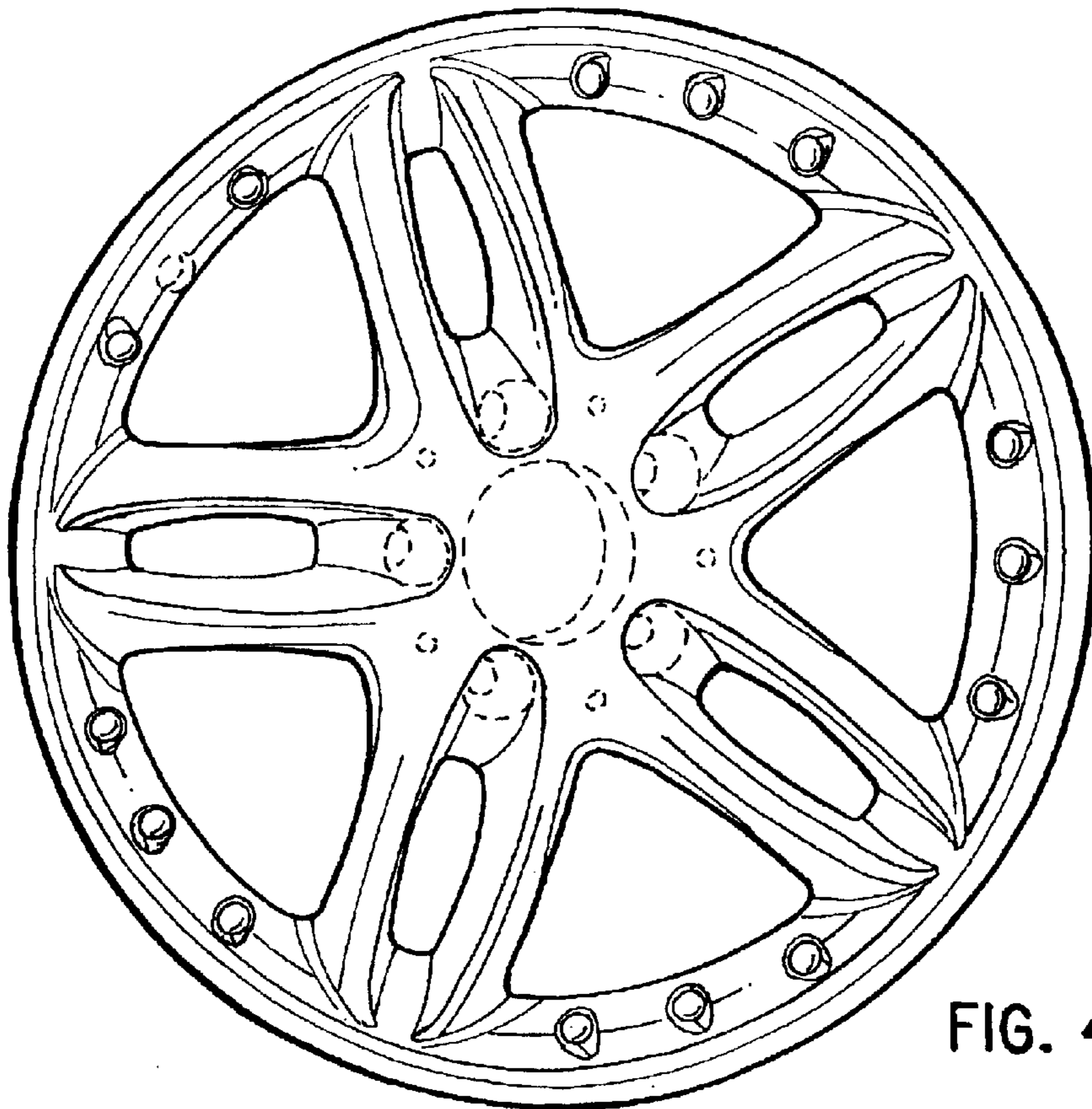


FIG. 4