



US00D489304S

(12) **United States Design Patent**  
**Schowalter et al.**

(10) **Patent No.:** **US D489,304 S**

(45) **Date of Patent:** **\*\* May 4, 2004**

(54) **VEHICLE DOOR INTERIOR**

(75) Inventors: **Jean-Paul Schowalter**, Long Beach, CA (US); **Brian J. Pettersen**, Torrance, CA (US); **Cameron Dwight Mauldin**, Long Beach, CA (US); **Donald Lariviere**, Whittier, CA (US); **Ildefonso M. Burgos, III**, Orange, CA (US)

(73) Assignee: **Honda Giken Kogyo Kabushiki Kaisha**, Tokyo (JP)

(\*\*) Term: **14 Years**

(21) Appl. No.: **29/190,094**

(22) Filed: **Sep. 16, 2003**

(51) **LOC (7) Cl.** ..... **12-16**

(52) **U.S. Cl.** ..... **D12/195**

(58) **Field of Search** ..... D12/195, 190; 49/501-502; 296/37.1, 37.13, 149, 153, 146.1

(56) **References Cited**

**U.S. PATENT DOCUMENTS**

- D348,644 S \* 7/1994 Lim ..... D12/195
- D382,528 S \* 8/1997 Hellhake et al. .... D12/195
- D409,965 S \* 5/1999 Mueller et al. .... D12/195

- D411,157 S \* 6/1999 Sacco et al. .... D12/195
- D415,461 S \* 10/1999 Sacco et al. .... D12/195
- D433,978 S \* 11/2000 Tsay ..... D12/195
- D435,003 S \* 12/2000 Tsay ..... D12/195
- D458,883 S \* 6/2002 Tsay et al. .... D12/195
- D463,343 S \* 9/2002 Siegert ..... D12/195
- D467,211 S \* 12/2002 Pfeiffer et al. .... D12/195

\* cited by examiner

*Primary Examiner*—Stacia Cadmus

(74) *Attorney, Agent, or Firm*—Plumsea Law Group, LLC

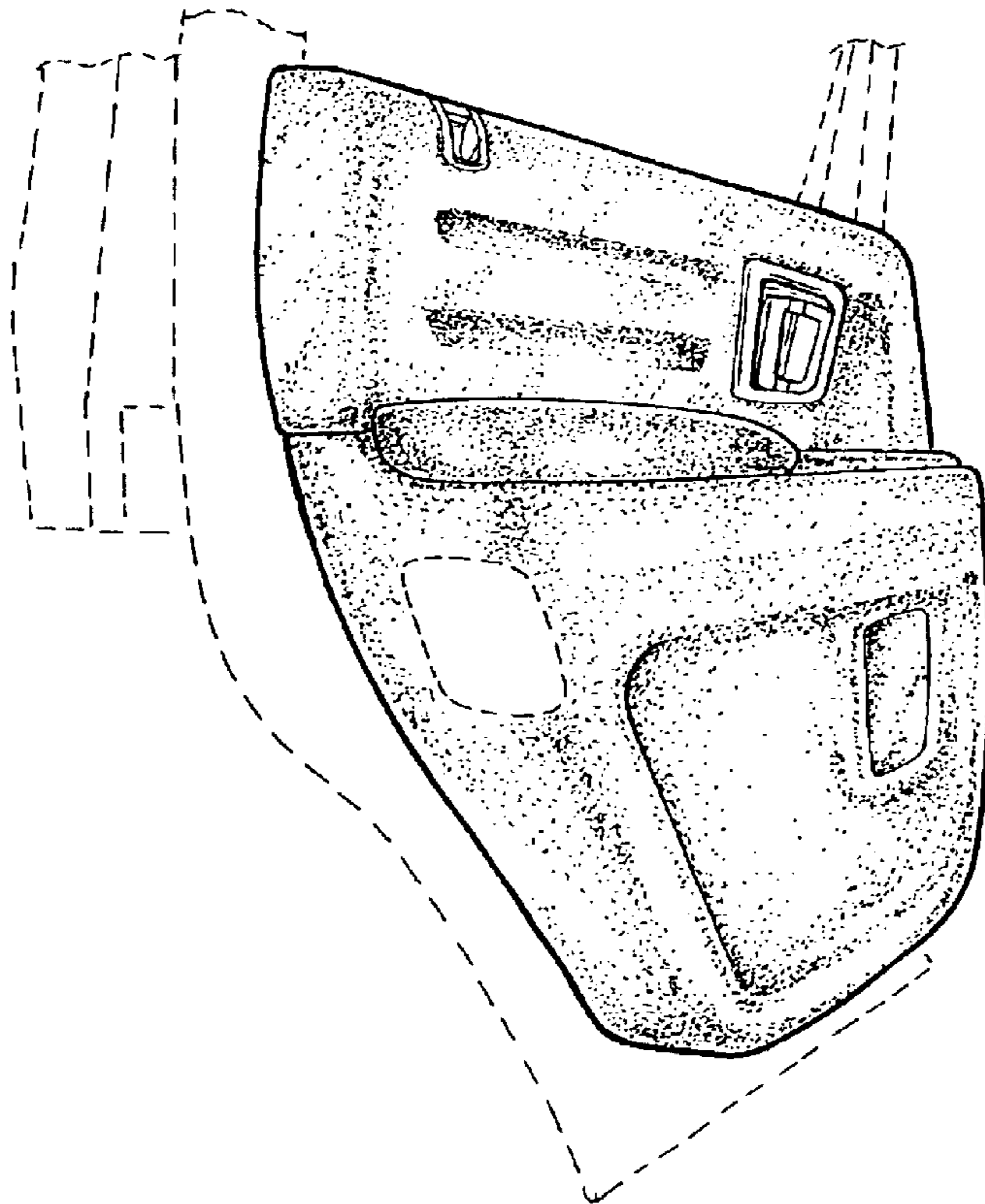
(57) **CLAIM**

The ornamental design for a vehicle door interior, as shown and described.

**DESCRIPTION**

FIG. 1 is a front perspective view of a vehicle door interior showing our new design;  
 FIG. 2 is a top elevational view thereof; and,  
 FIG. 3 is a top plan view thereof.  
 The broken line showings of the control switch on the top surface of the armrest, the rectangular element along the rear surface (FIG. 1) and the remainder of the vehicle door are for illustrative purposes only and form no part of the claimed invention.

**1 Claim, 2 Drawing Sheets**



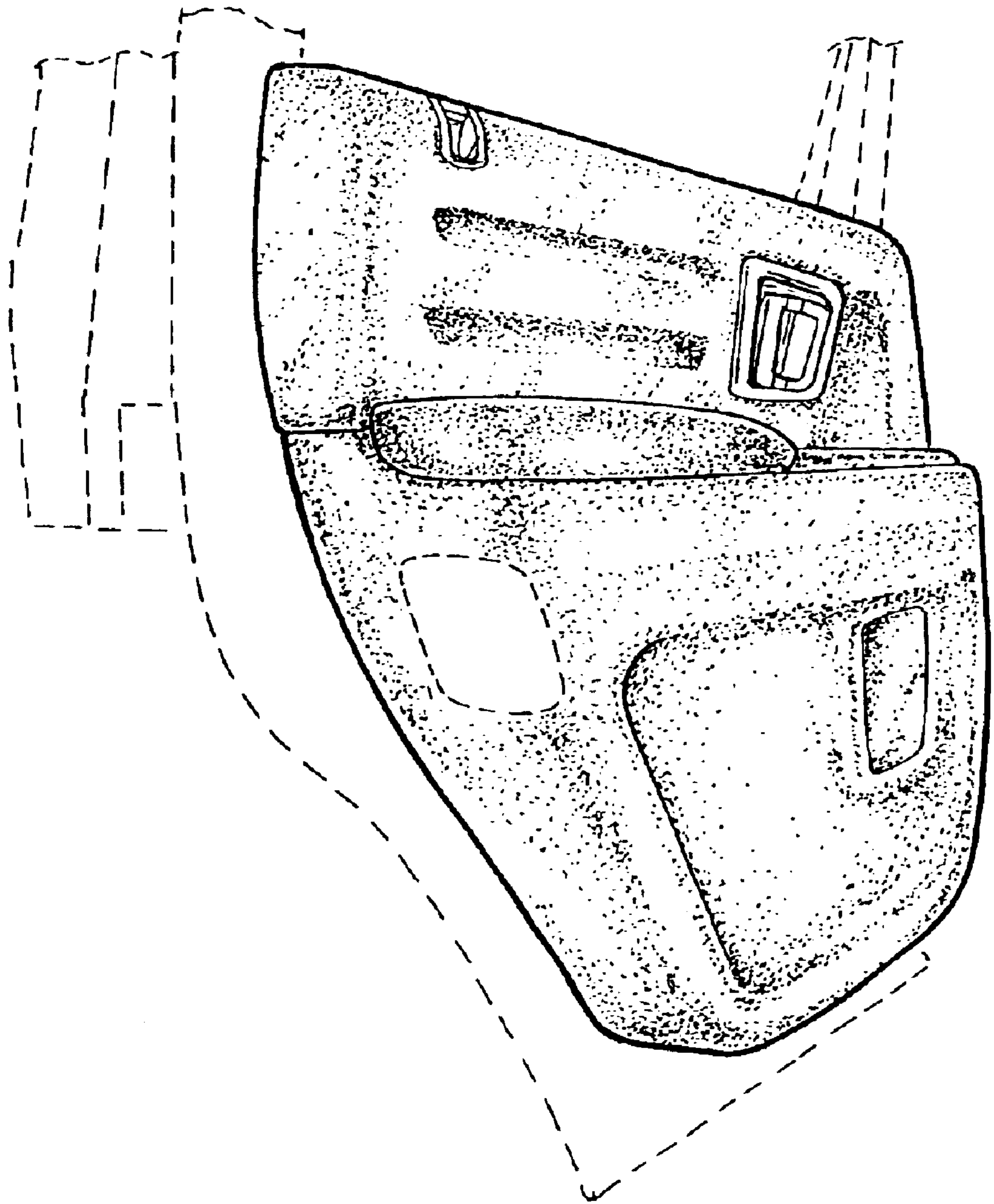


FIG. 1

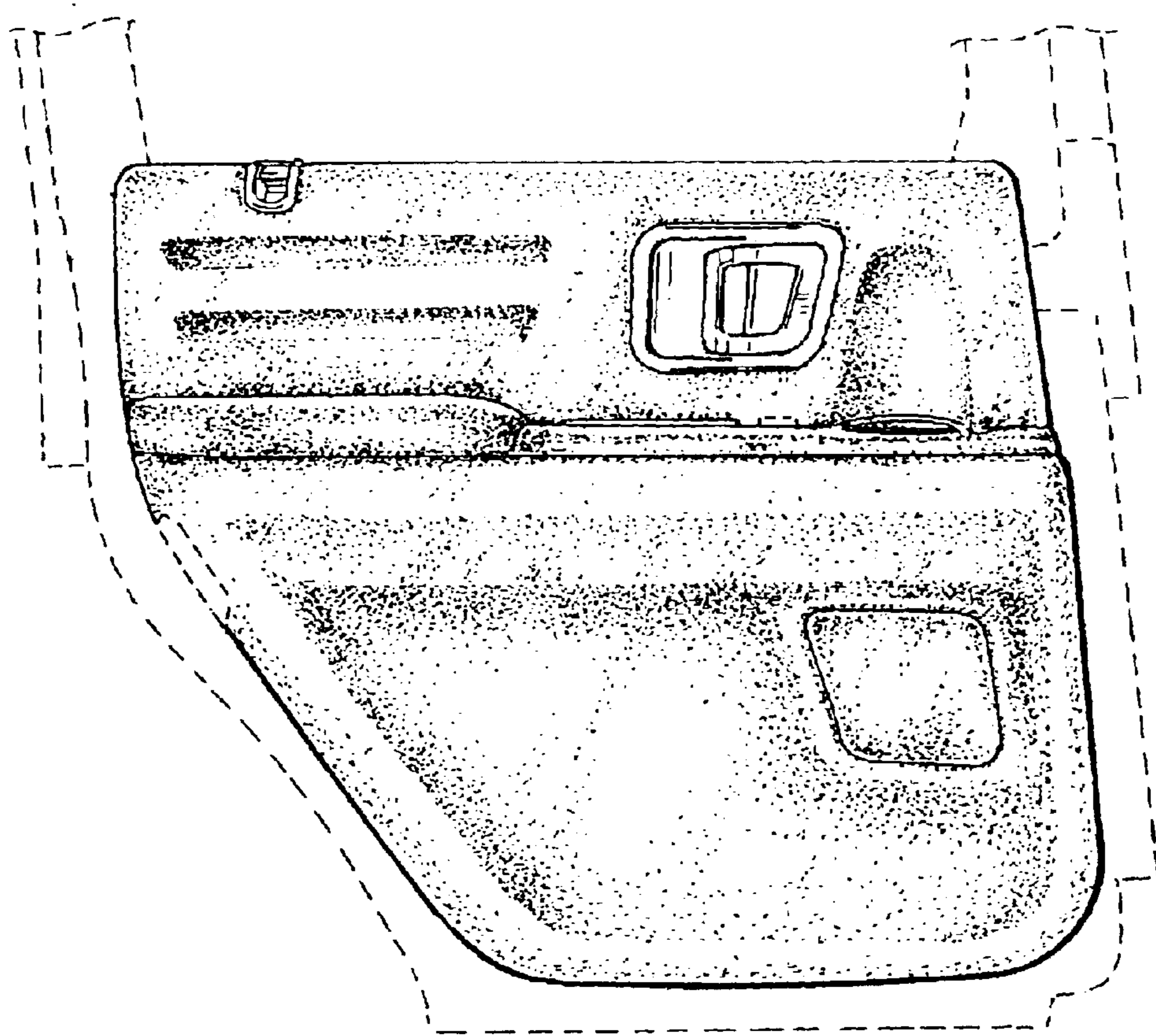


FIG. 2

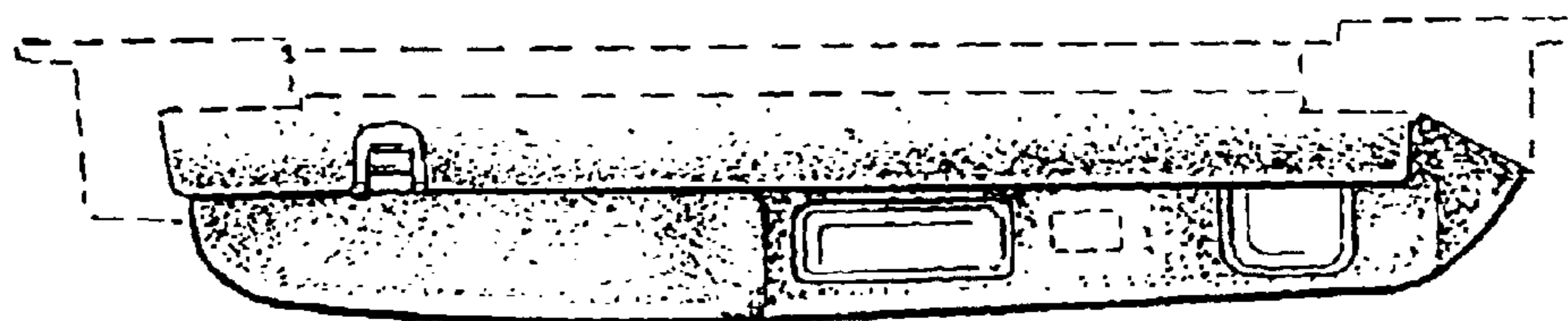


FIG. 3