



US00D489297S

(12) **United States Design Patent**
Pichan

(10) **Patent No.:** **US D489,297 S**

(45) **Date of Patent:** **** May 4, 2004**

(54) **ILLUMINATED DISPLAY AND TURN SIGNAL APPARATUS**

D478,935 S * 8/2003 Gearhart et al. D20/10
D480,338 S * 10/2003 Harwood D12/162

(76) **Inventor:** **David L. Pichan**, 13360 Bunton, Willis, MI (US) 48191

* cited by examiner

(**) **Term:** **14 Years**

Primary Examiner—Stacia Cadmus

(74) *Attorney, Agent, or Firm*—Young & Basile, P.C.

(21) **Appl. No.:** **29/187,648**

(57) **CLAIM**

(22) **Filed:** **Aug. 5, 2003**

The ornamental design for an illuminated display and turn signal apparatus, as shown and described.

(51) **LOC (7) Cl.** **12-16**

DESCRIPTION

(52) **U.S. Cl.** **D12/162; D20/10**

(58) **Field of Search** D12/162, 400, D12/203; D20/10, 42; D26/28, 31, 34, 36; 40/204–205, 541–542, 209, 544, 564, 584, 590–591, 611.1, 618, 575, 211; 280/495, 504, 506–507, 511, 727; 293/122; 340/468–479; 362/459–460, 484–487, 495–499, 505–506, 269, 275, 427–428, 418–419; 138/89–89.4; 224/524, 522, 527

FIG. 1 is a perspective view of the illuminated display and turn signal apparatus showing my new design with a lens exploded therefrom;

FIG. 2 is a top plan view of the illuminated display and turn signal apparatus of FIG. 1;

FIG. 3 is a rear plan view of the illuminated display and turn signal apparatus of FIG. 1;

FIG. 4 is a bottom plan view of the illuminated display and turn signal apparatus of FIG. 1;

FIG. 5 is a front plan view of the illuminated display and turn signal apparatus of FIG. 1; and,

FIG. 6 is a plan side view of the illuminated display and turn signal apparatus of FIG. 1.

The broken line showing of environment is for illustrative purposes only and forms no part of the claim design.

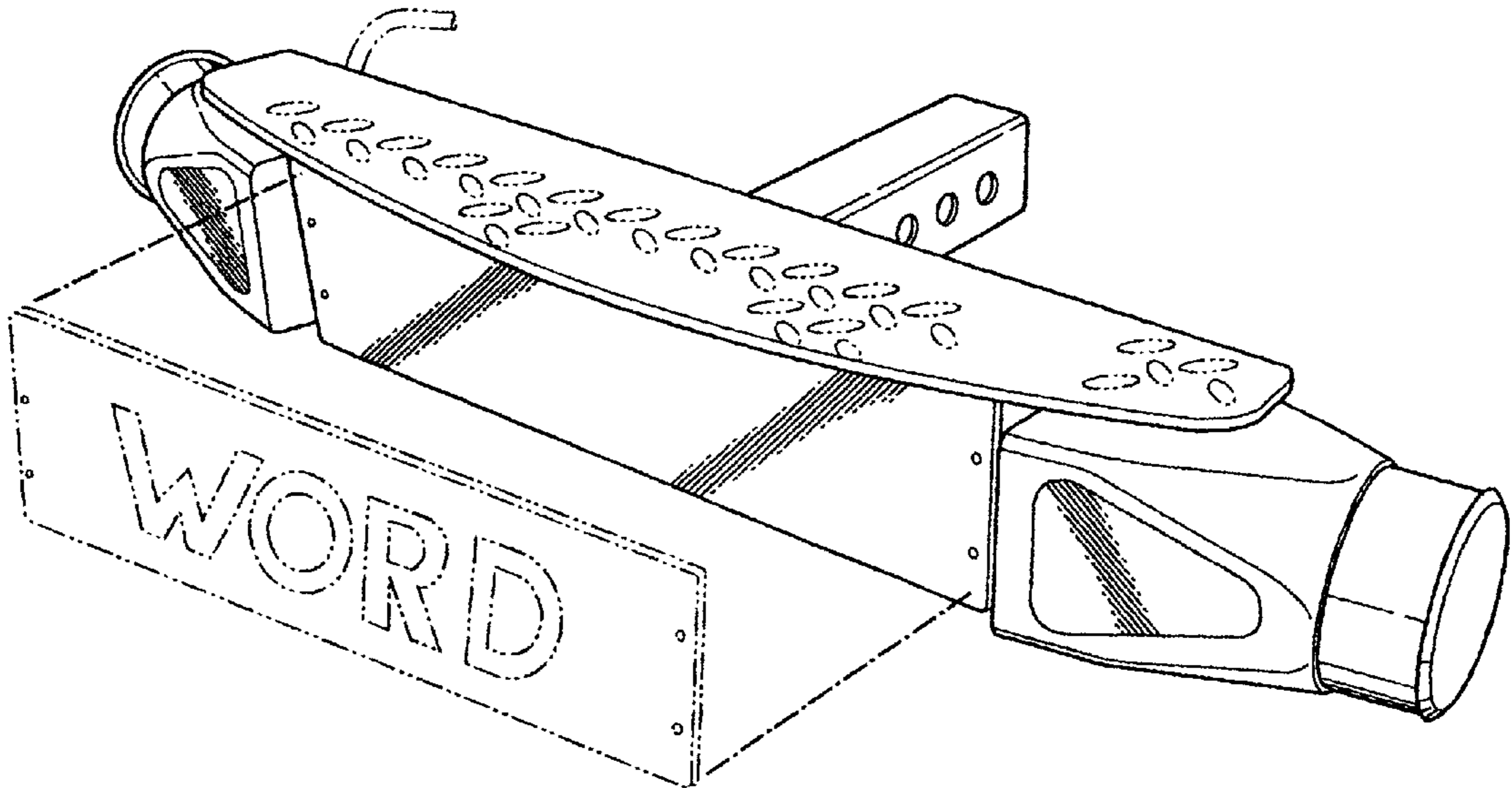
FIGS. 2–5 are shown on an enlarged scale as compared with FIG. 1.

(56) **References Cited**

U.S. PATENT DOCUMENTS

4,574,269	A	*	3/1986	Miller	362/503
4,631,516	A	*	12/1986	Clinker	340/464
4,800,471	A	*	1/1989	Lippert	362/485
4,928,084	A	*	5/1990	Reiser	340/479
D313,661	S	*	1/1991	Kang	D26/31
5,005,306	A	*	4/1991	Kinstler	362/486
D464,919	S		10/2002	Pichan		
D471,137	S	*	3/2003	Shepherd et al.	D12/162

1 Claim, 3 Drawing Sheets



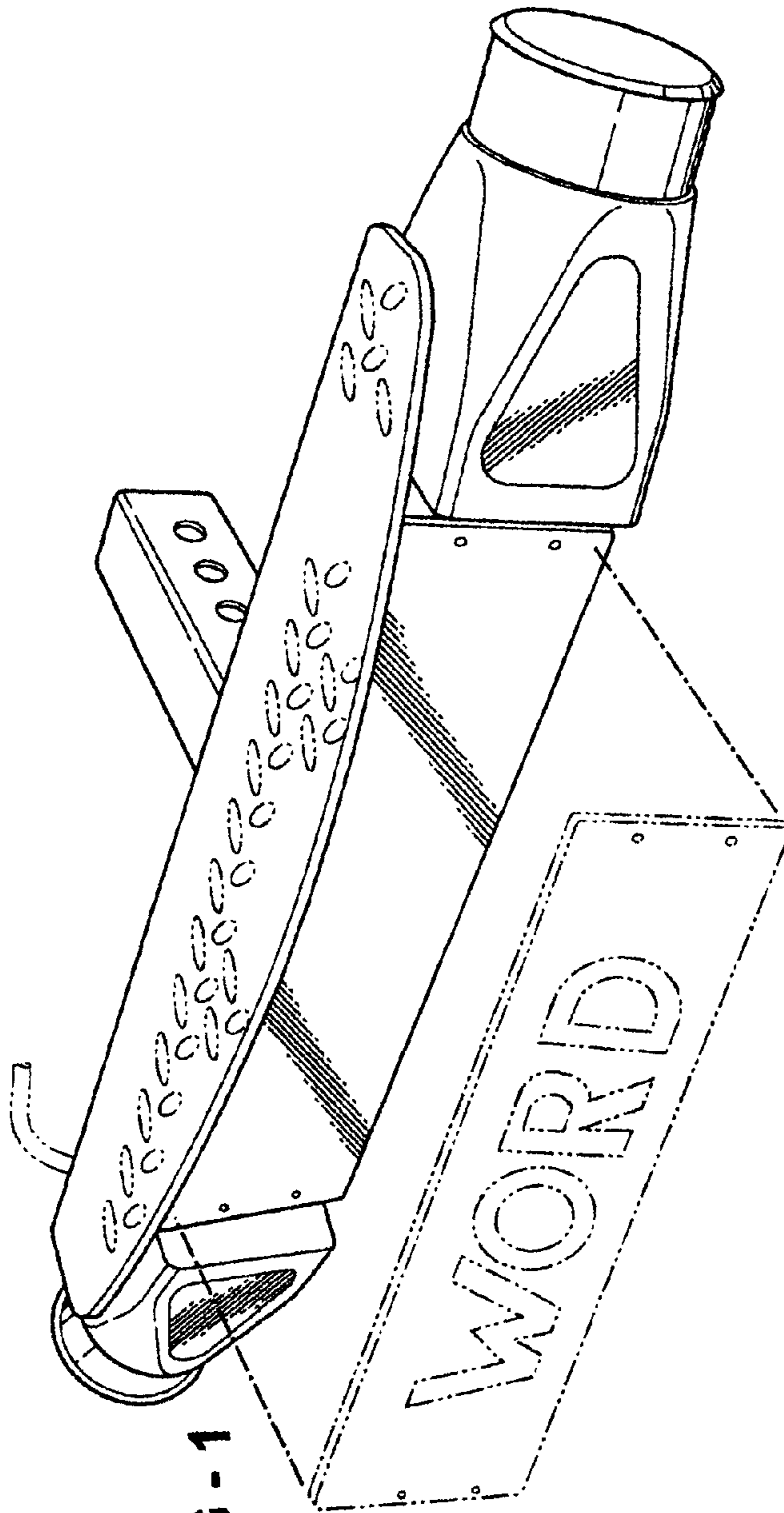


FIG - 1

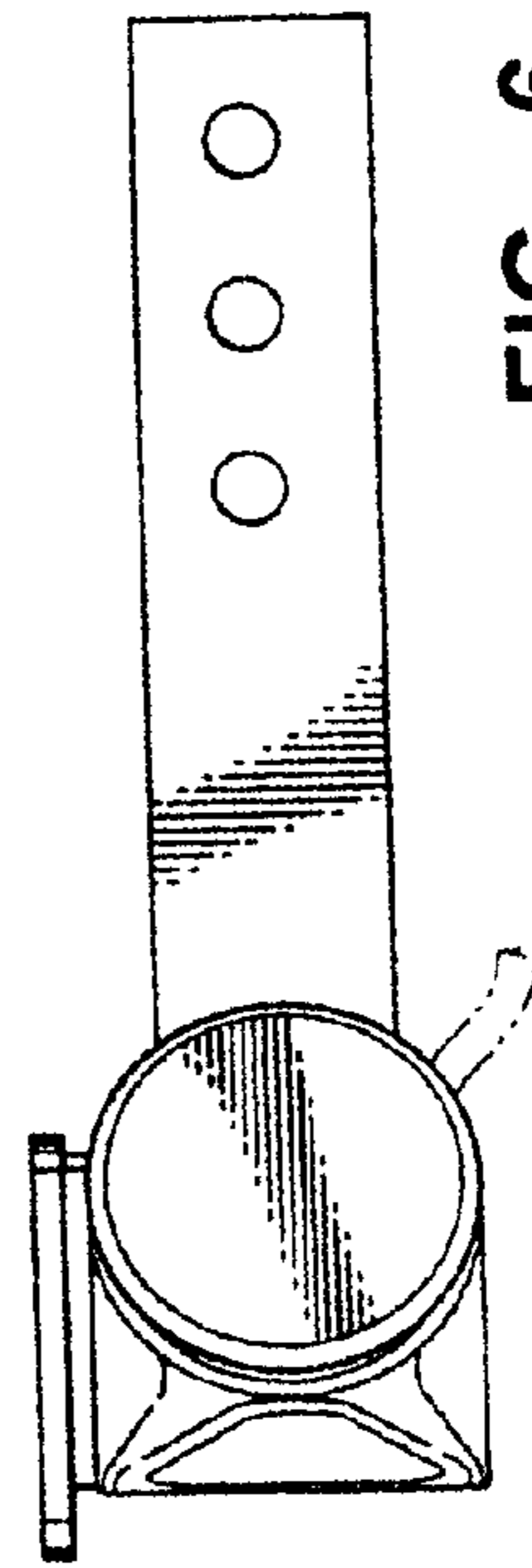


FIG - 6

