



US00D489296S

(12) **United States Design Patent**
Tsai

(10) **Patent No.:** **US D489,296 S**

(45) **Date of Patent:** **** May 4, 2004**

(54) **ELECTRIC MOBILITY SCOOTER**

(75) Inventor: **Chi-Chen Tsai**, Kaohsiung (TW)

(73) Assignee: **Kwang Yang Motor Co., Ltd.**,
Kaohsiung (TW)

(**) Term: **14 Years**

(21) Appl. No.: **29/189,184**

(22) Filed: **Sep. 2, 2003**

(51) **LOC (7) Cl.** **12-99**

(52) **U.S. Cl.** **D12/131**

(58) **Field of Search** **D12/129-133;**
280/250.1, 304.1; 180/6.5, 65.1, 907, 908;
297/DIG. 4

(56) **References Cited**

U.S. PATENT DOCUMENTS

- D325,892 S * 5/1992 Nesterick et al. D12/131
- 5,150,762 A * 9/1992 Stegeman et al. D12/131
- 5,238,082 A * 8/1993 Stegeman et al. D12/131

- D401,190 S * 11/1998 Krause D12/131
- D444,422 S * 7/2001 Cheng D12/131
- D462,639 S * 9/2002 Lin D12/131
- D474,719 S * 5/2003 Mayer et al. D12/131

* cited by examiner

Primary Examiner—Marcus A. Jackson

(74) *Attorney, Agent, or Firm*—Leong C. Lei

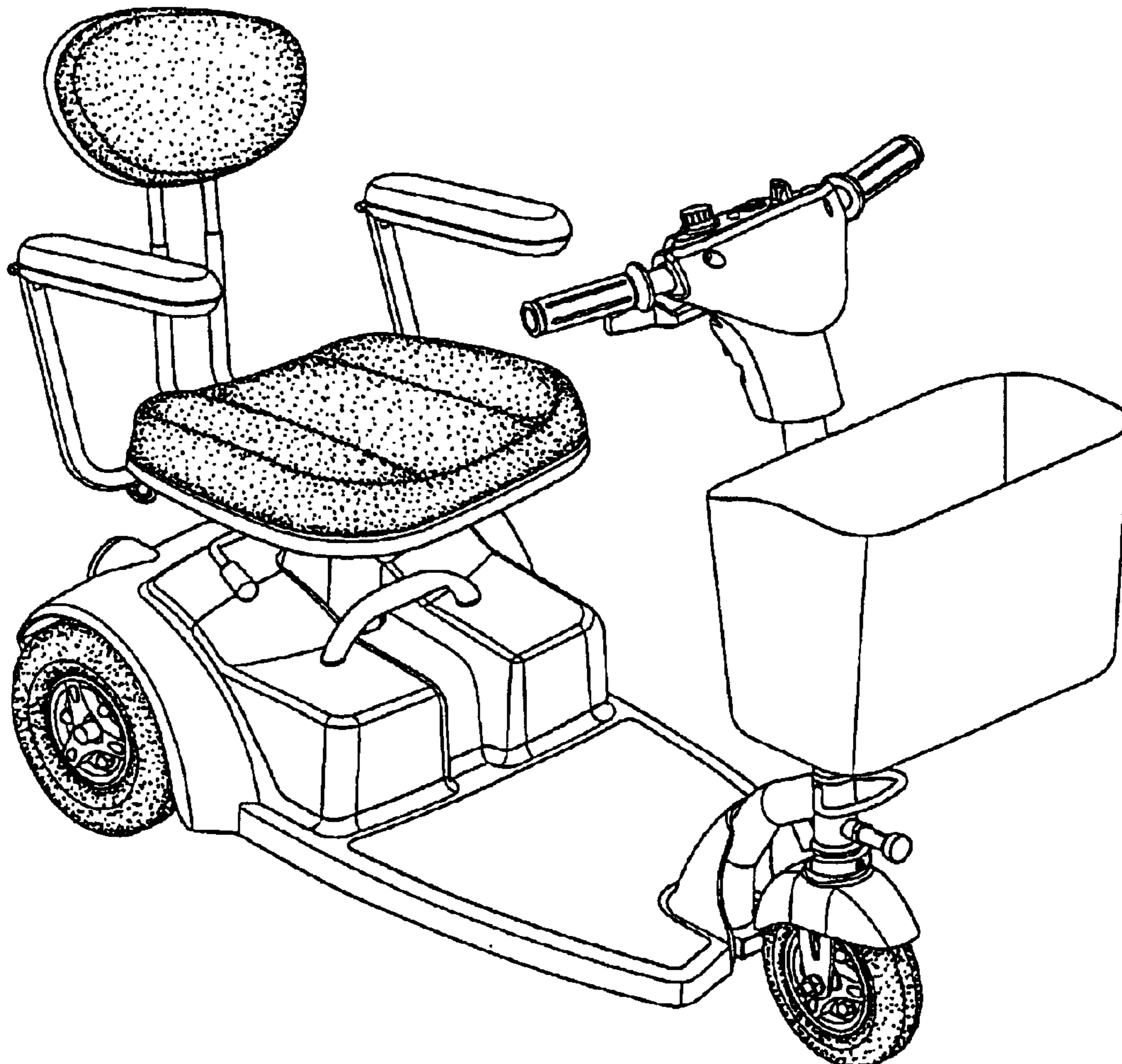
(57) **CLAIM**

The ornamental design for an electric mobility scooter, as shown and described.

DESCRIPTION

FIG. 1 is perspective view of an electric mobility scooter showing my new design;
 FIG. 2 is a front side elevation view thereof;
 FIG. 3 is a rear side elevation view thereof;
 FIG. 4 is a left side elevation view thereof;
 FIG. 5 is a right side elevation view thereof;
 FIG. 6 is a top plan view thereof; and,
 FIG. 7 is a bottom plan view thereof.

1 Claim, 4 Drawing Sheets



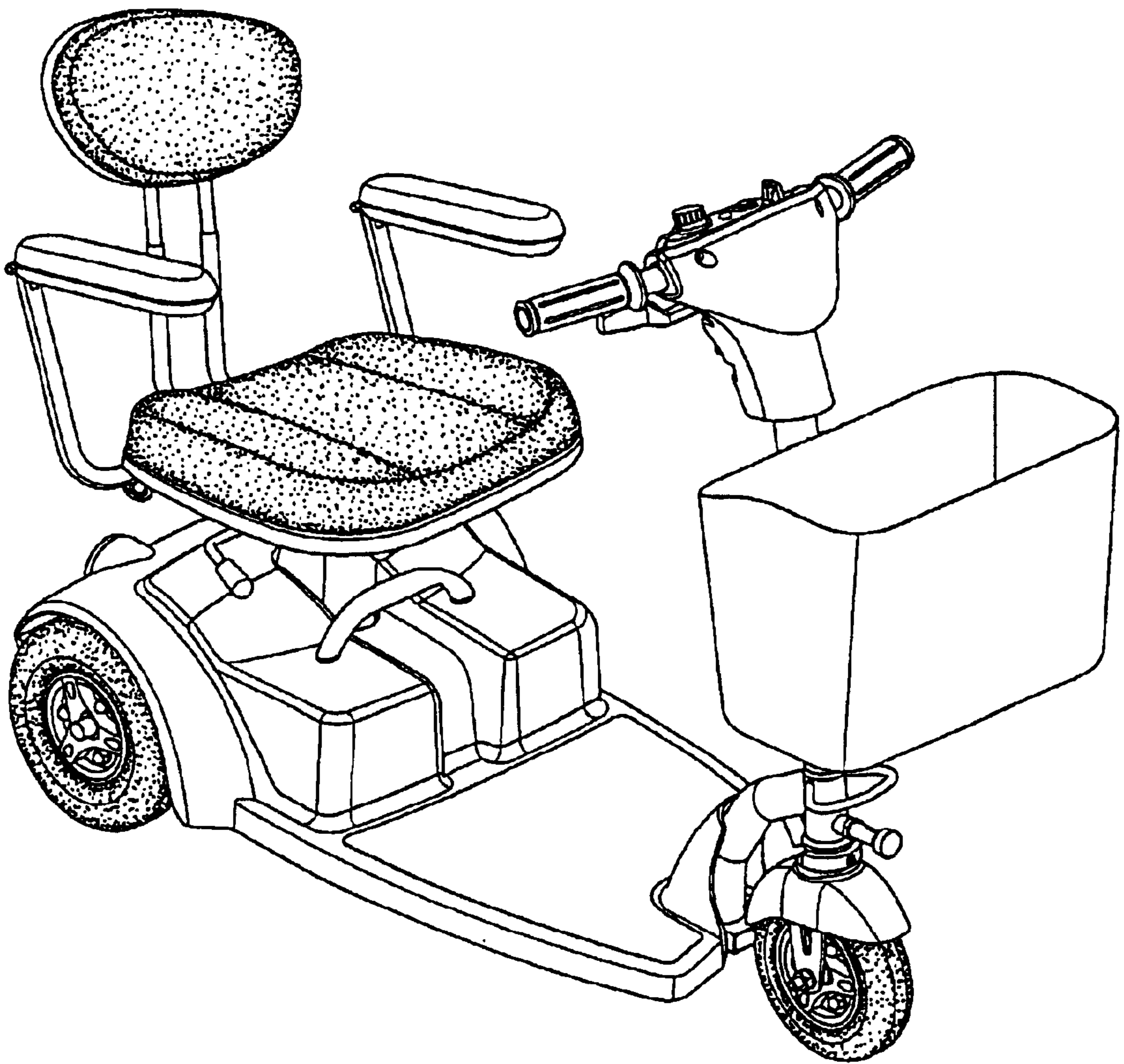


FIG. 1

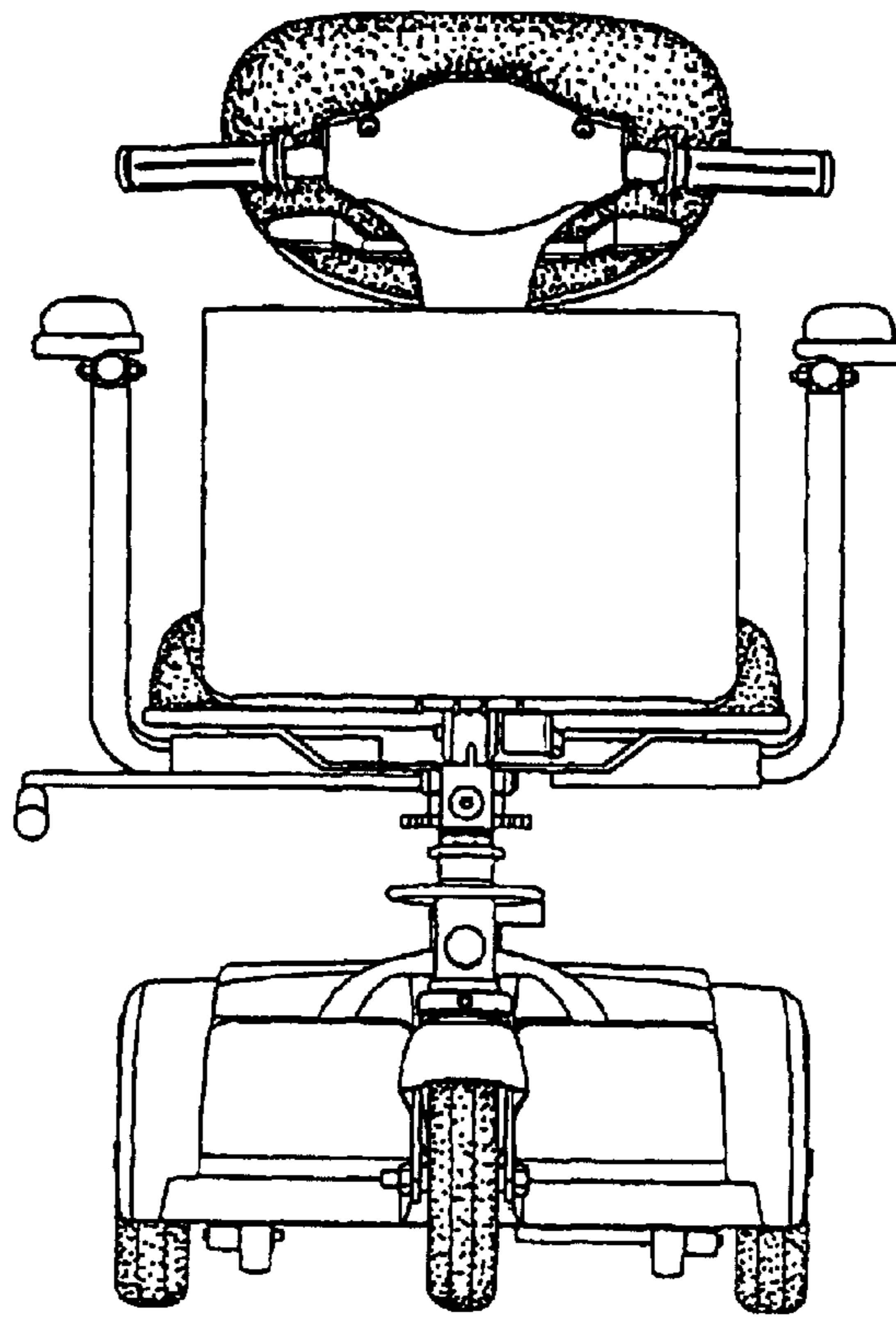


FIG. 2

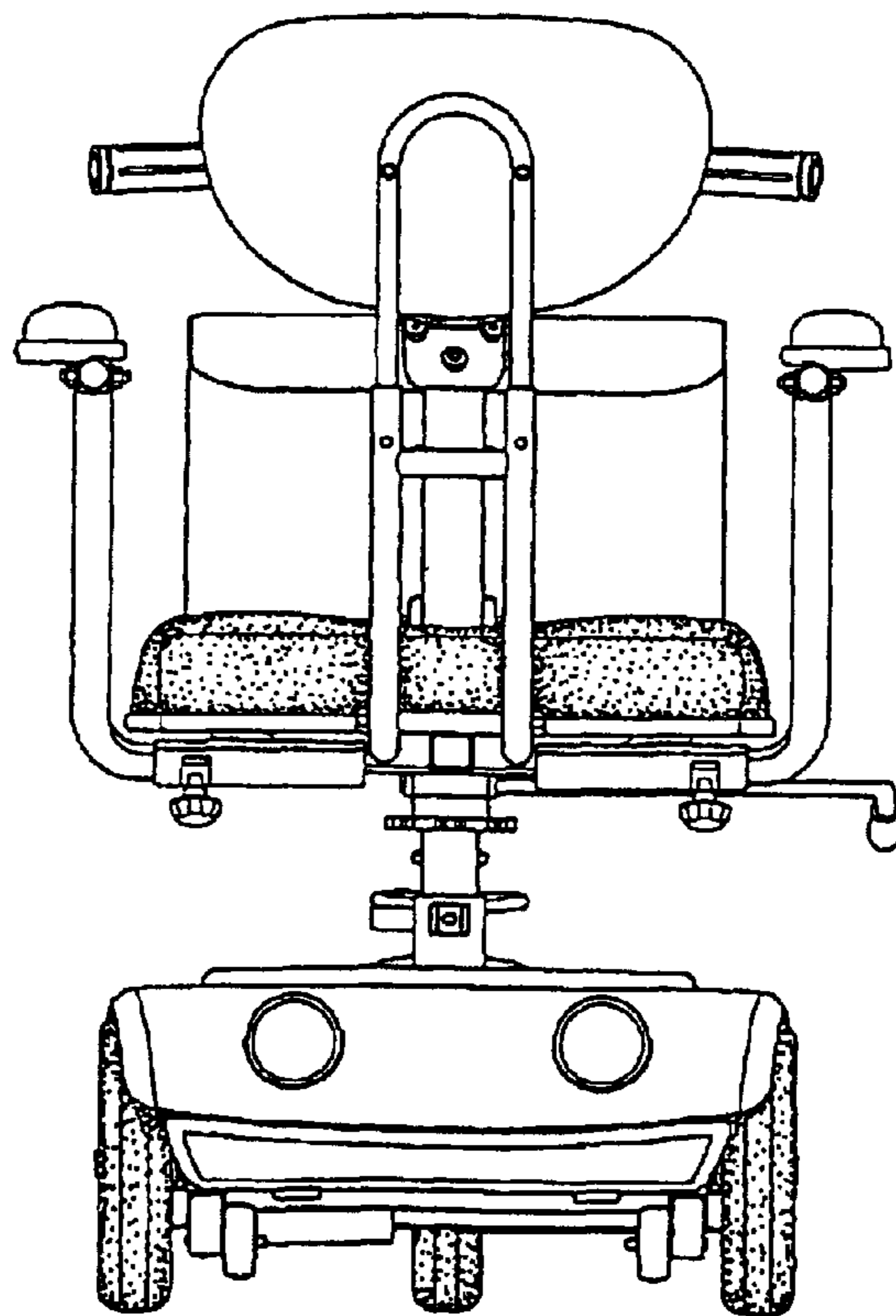


FIG. 3

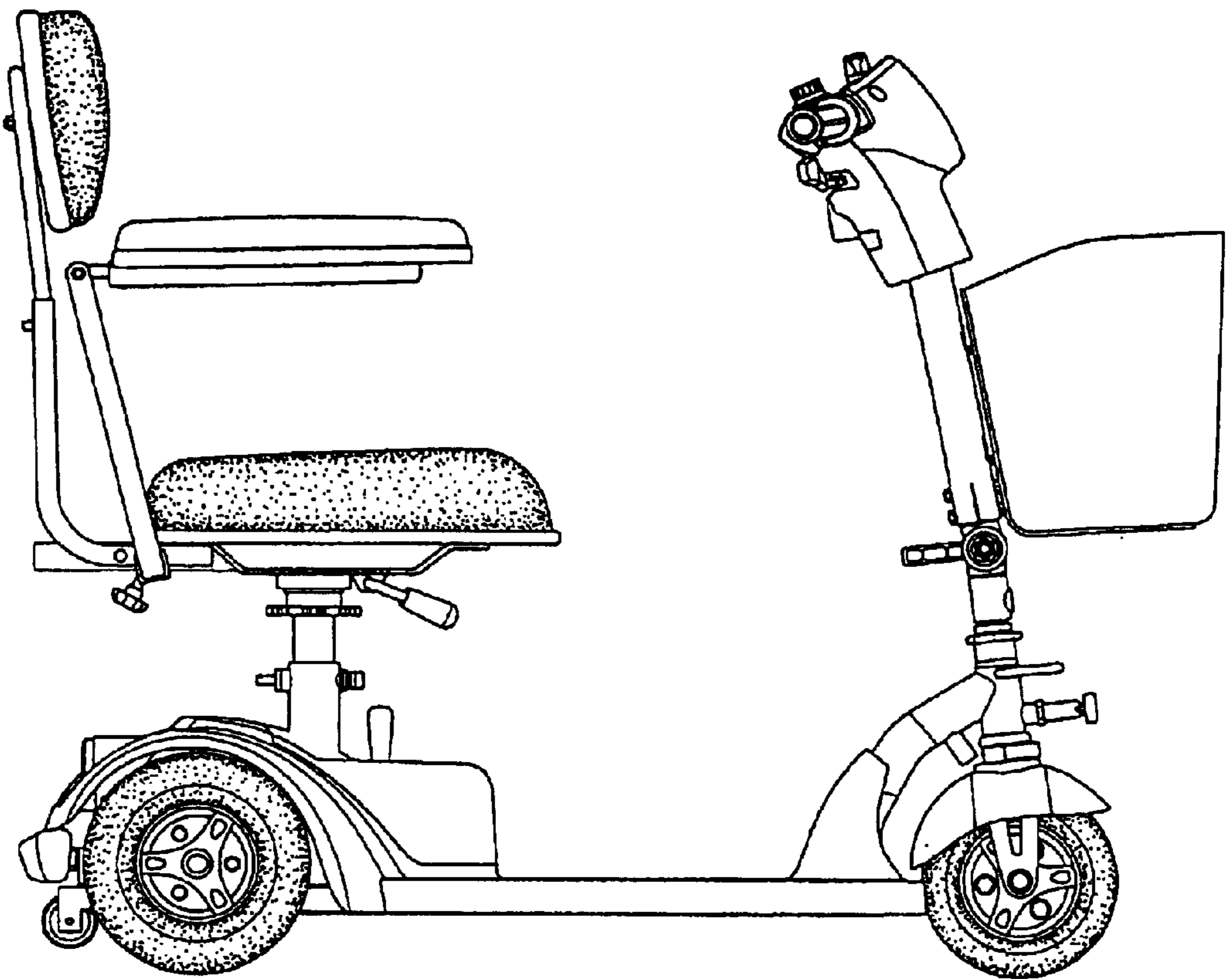


FIG. 4

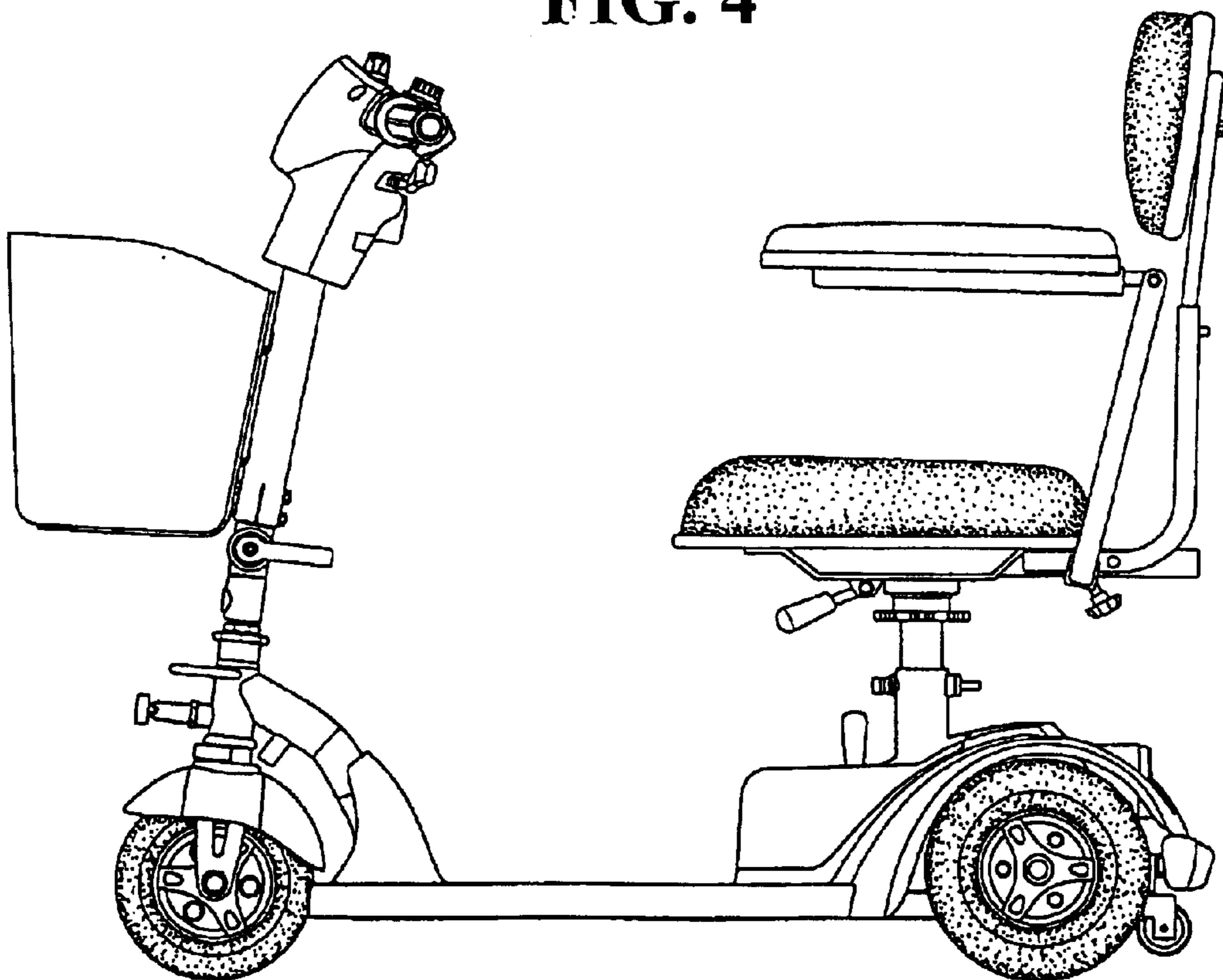


FIG. 5

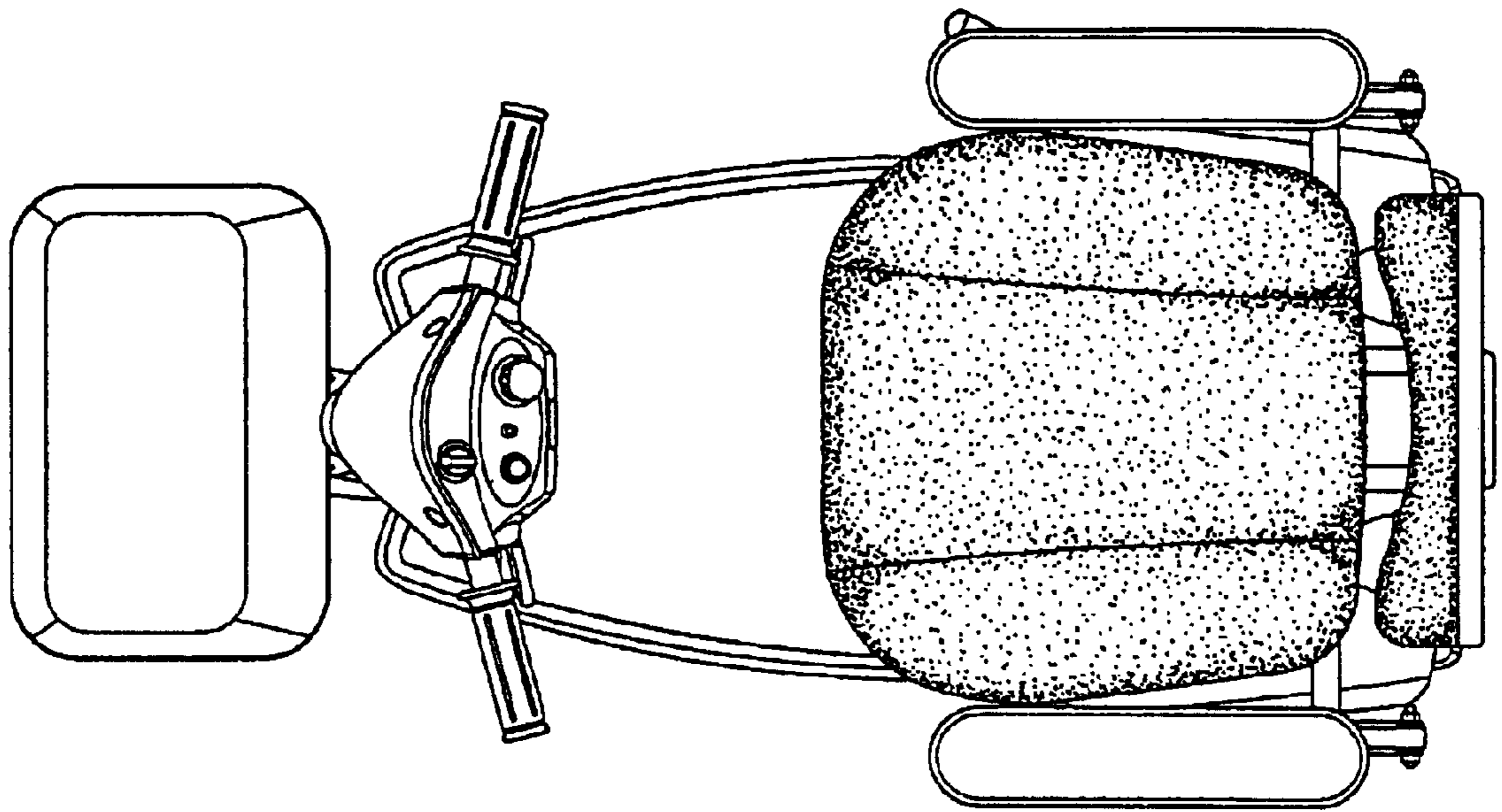


FIG. 6

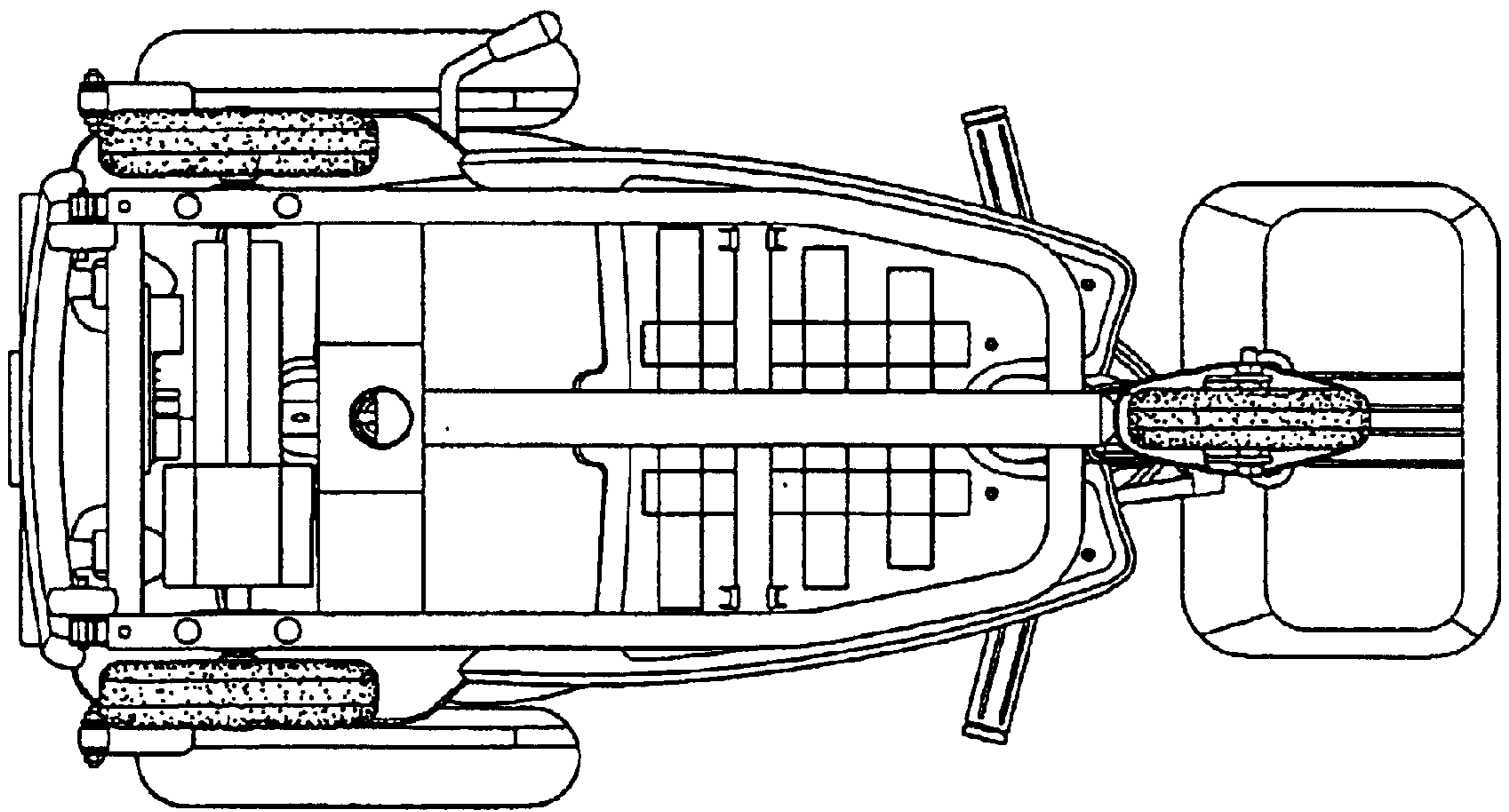


FIG. 7