



US00D489294S

(12) **United States Design Patent**
Ashinhurst

(10) **Patent No.:** **US D489,294 S**

(45) **Date of Patent:** **** May 4, 2004**

(54) **FOOD STAND**

(76) Inventor: **William Ashinhurst**, 3844 Seagull Dr.,
West Valley City, UT (US) 84120

(**) Term: **14 Years**

(21) Appl. No.: **29/166,927**

(22) Filed: **Sep. 5, 2002**

(51) **LOC (7) Cl.** **12-10**

(52) **U.S. Cl.** **D12/102**

(58) **Field of Search** **D12/102, 103;**
280/656, 789, 171-176

(56) **References Cited**

U.S. PATENT DOCUMENTS

| | | | | | |
|------------|---|--------|-----------|-------|---------|
| D357,649 S | * | 4/1995 | Neyer | | D12/103 |
| D395,261 S | * | 6/1998 | Puhl | | D12/102 |
| D408,334 S | * | 4/1999 | Fortunato | | D12/102 |
| D460,024 S | * | 7/2002 | Meiner | | D12/103 |

* cited by examiner

Primary Examiner—Melody N. Brown
(74) *Attorney, Agent, or Firm*—Morriss O'Bryant
Compagni, P.C.

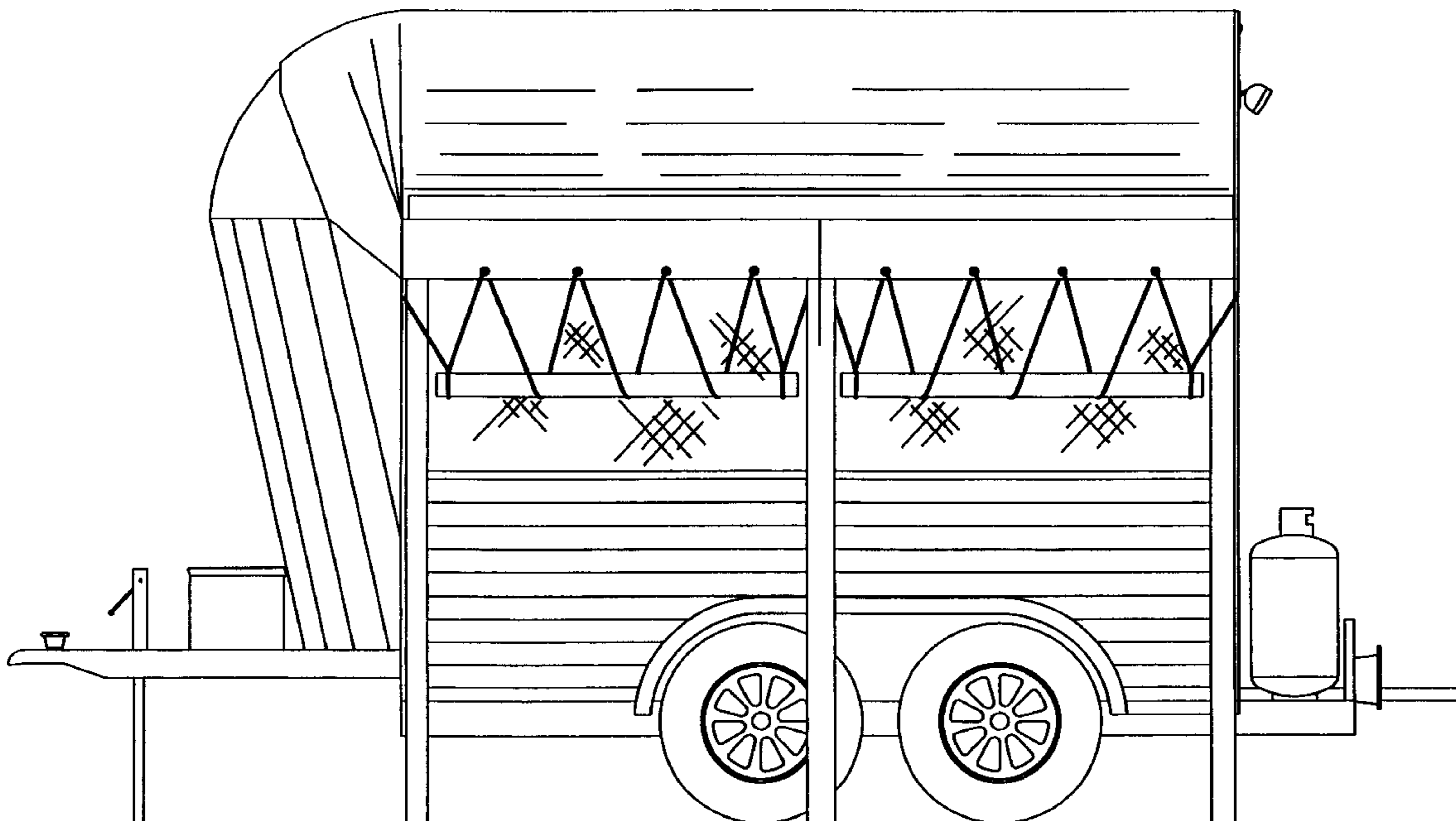
(57) **CLAIM**

The ornamental design for a food stand, as shown and described.

DESCRIPTION

FIG. 1 shows a right side view of a food stand made in accordance with the design of the present invention; FIG. 2 shows an end view the food stand of FIG. 1 made in accordance with the present invention; FIG. 3 shows a left side view of the food stand of FIG. 1 made in accordance with the present invention; FIG. 4 shows a top view of the food stand of FIG. 1 made in accordance with the present invention; and, FIG. 5 shows a front view of the food stand of FIG. 1 made in accordance with the present invention.

1 Claim, 5 Drawing Sheets



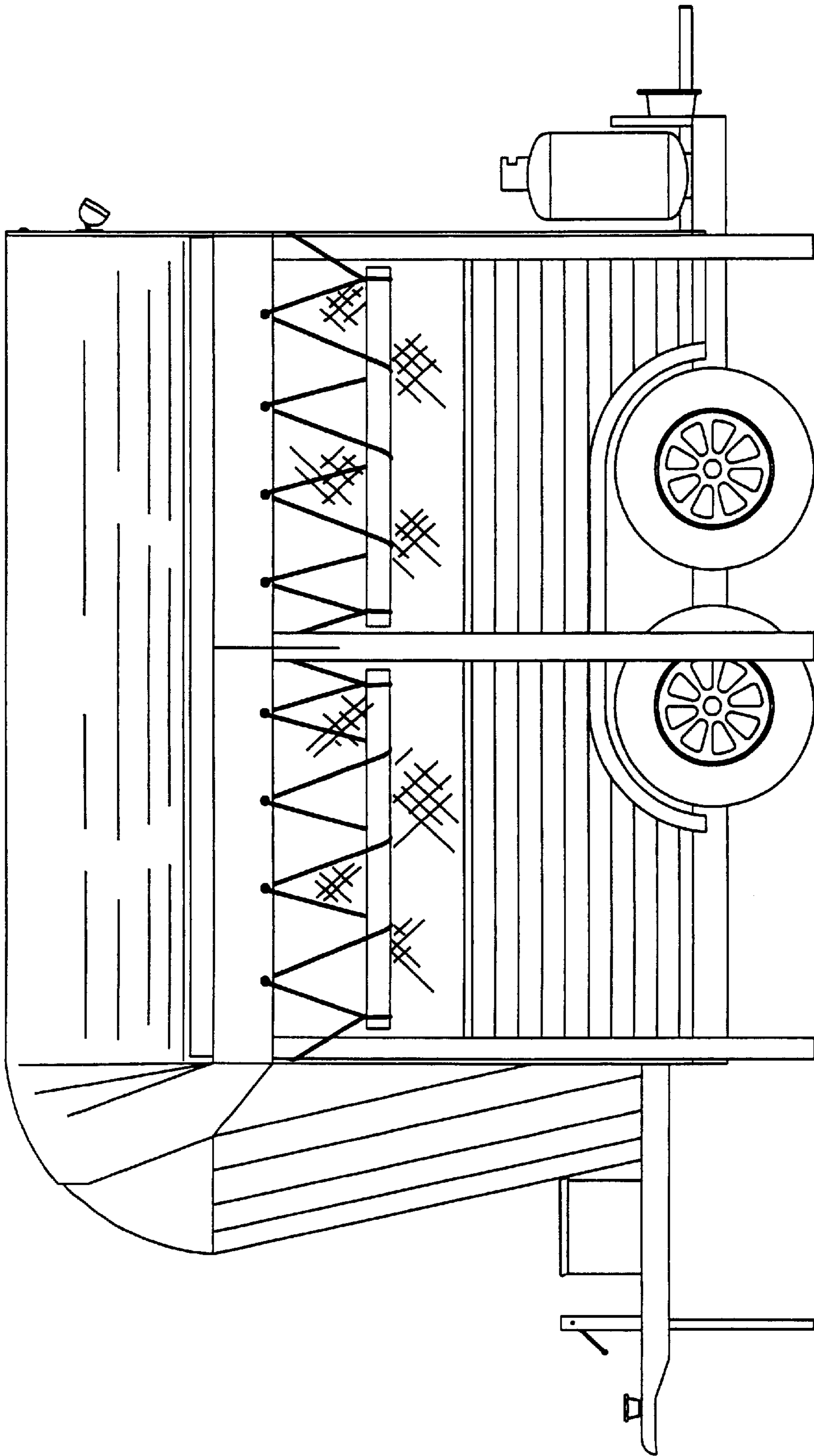


FIG. 1

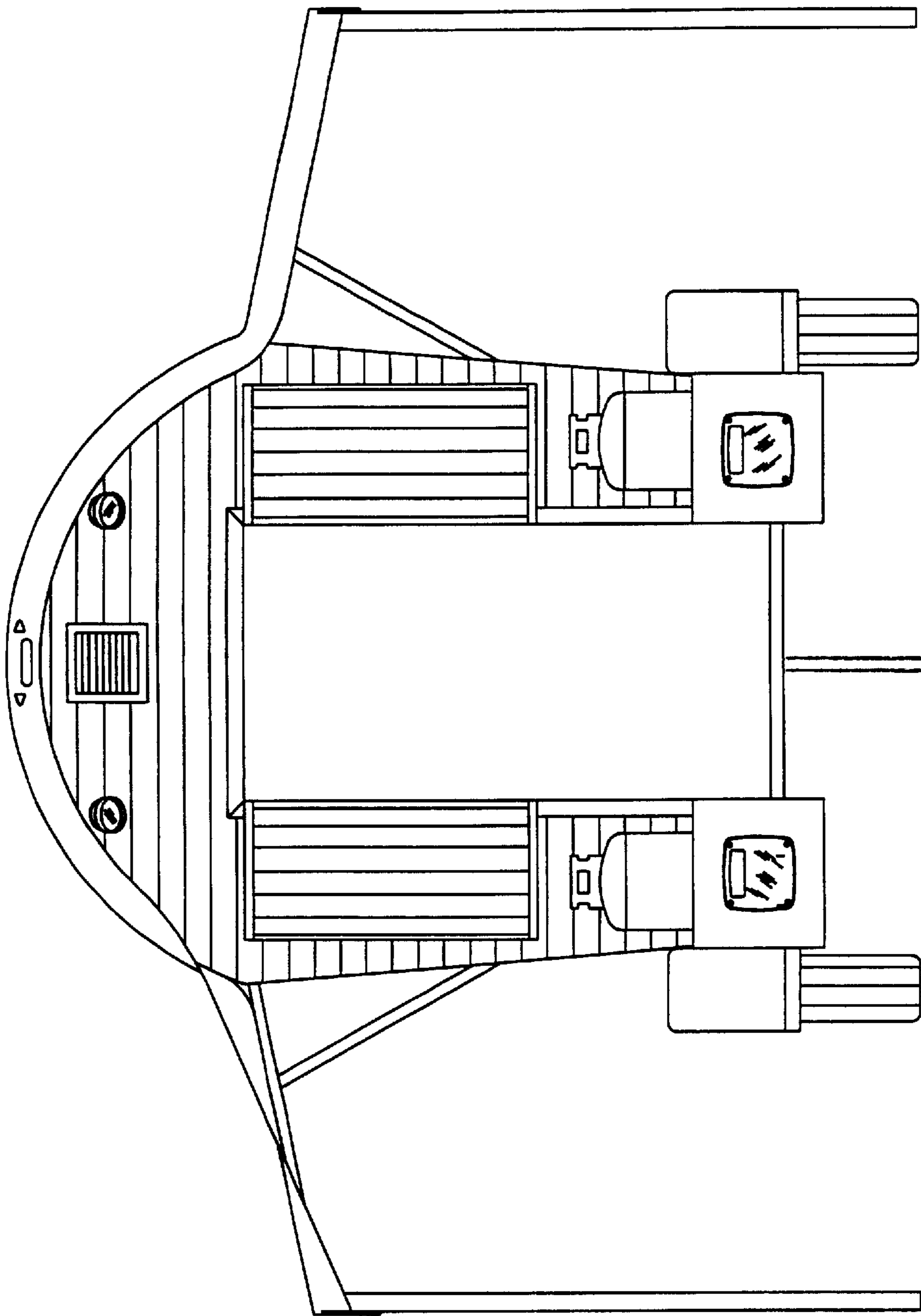


FIG. 2

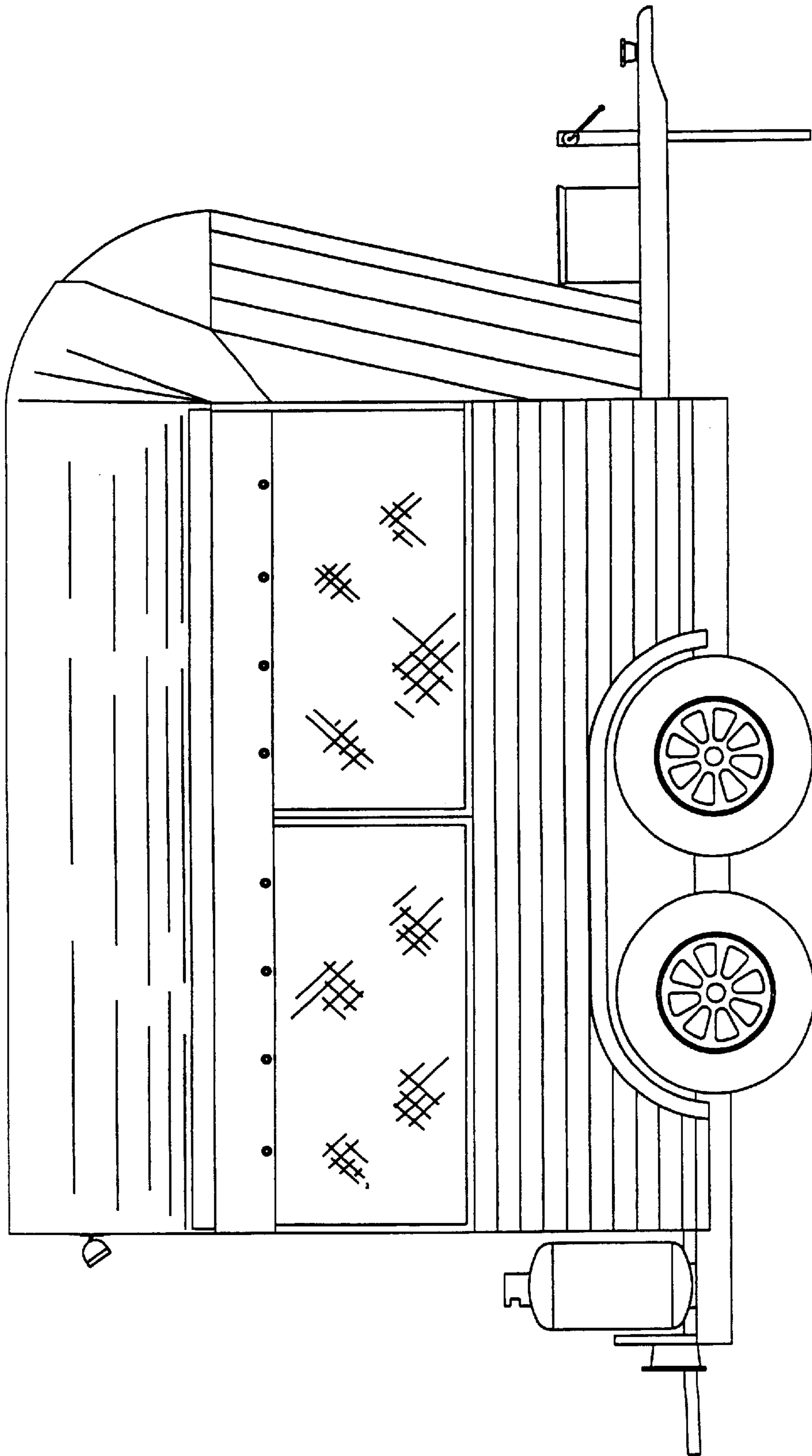


FIG. 3

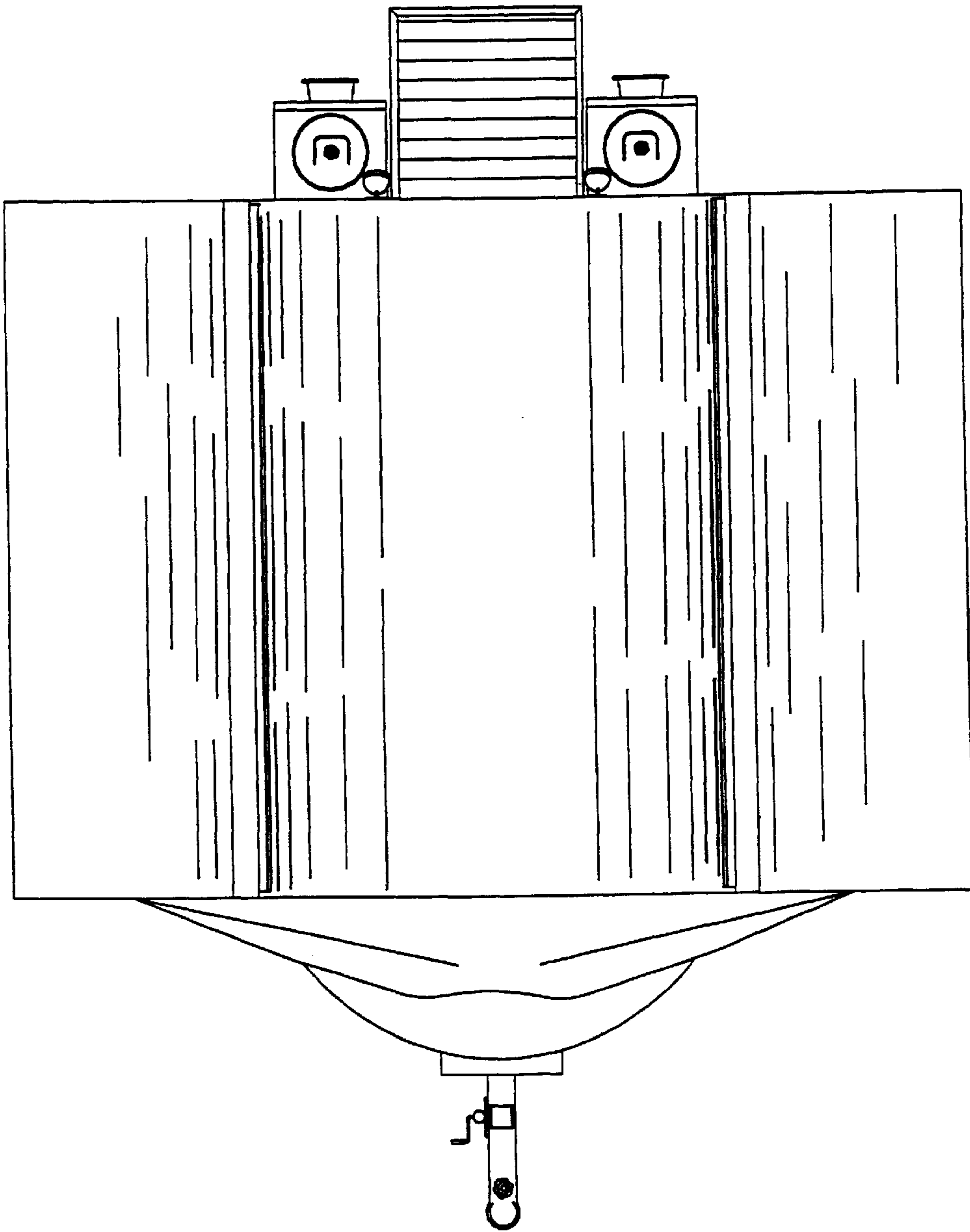


FIG. 4

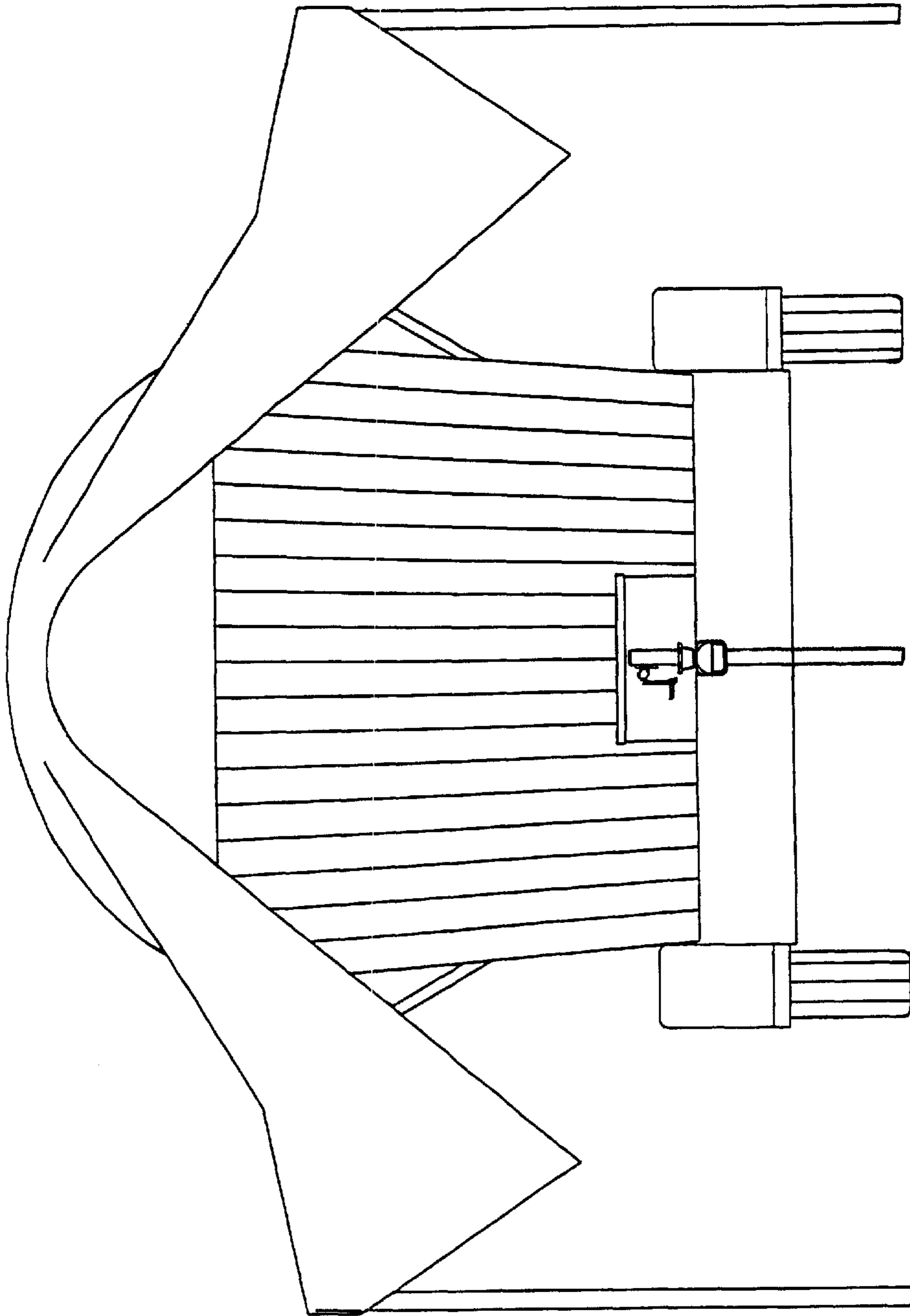


FIG. 5