



US00D489288S

(12) **United States Design Patent**  
**Balsdon**

(10) **Patent No.:** **US D489,288 S**

(45) **Date of Patent:** **\*\* May 4, 2004**

(54) **SEED DOME**  
(75) Inventor: **Gregory John Balsdon, Surrey (CA)**  
(73) Assignee: **Allie's Wholesale Garden Supplies Ltd., British Columbia (CA)**  
(\*\*) Term: **14 Years**

D259,777 S \* 7/1981 Ehrreich ..... D11/155  
4,291,494 A \* 9/1981 Knablein et al. .... 47/69  
D267,242 S \* 12/1982 Smith et al. .... D11/155  
D303,231 S \* 9/1989 Mottmiller et al. .... D11/143  
D352,917 S 11/1994 DesLaurier ..... D11/155  
D409,947 S \* 5/1999 Bongard et al. .... D11/155

\* cited by examiner

*Primary Examiner*—Doris V. Coles

*Assistant Examiner*—Mimosa De

(74) *Attorney, Agent, or Firm*—Dorsey & Whitney LLP

(21) Appl. No.: **29/164,506**  
(22) Filed: **Jul. 24, 2002**

(30) **Foreign Application Priority Data**

Jan. 14, 2002 (CA) ..... 2002-0102

(51) **LOC (7) Cl.** ..... **11-02**  
(52) **U.S. Cl.** ..... **D11/155; D11/145**  
(58) **Field of Search** ..... D11/143, 144,  
D11/145, 148, 155, 156; 47/65.5, 66.2,  
66.6, 67, 68, 69, 73, 79; 206/423; 248/27.8

(56) **References Cited**

**U.S. PATENT DOCUMENTS**

3,082,575 A \* 3/1963 Schulz ..... 47/73  
D198,534 S \* 6/1964 Klinberg ..... D11/145  
D246,096 S \* 10/1977 Trumley ..... D11/145  
D254,985 S \* 5/1980 Morishita ..... D22/141

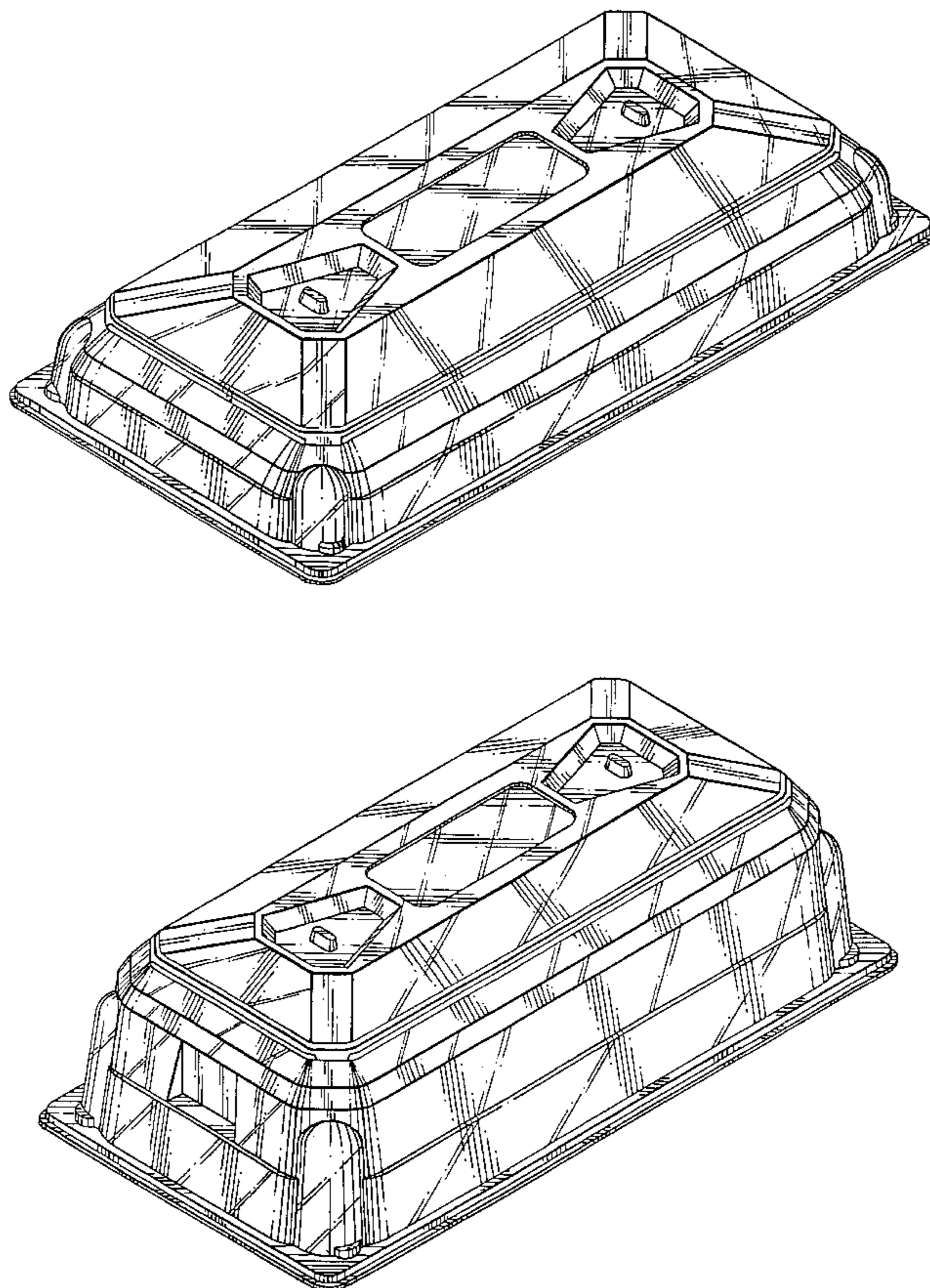
(57) **CLAIM**

The ornamental design for a seed dome, as shown and described.

**DESCRIPTION**

FIG. 1 is a perspective view of a first embodiment of the design;  
FIG. 2 is a top plan view of the design;  
FIG. 3 is a side elevation view, the other side being a mirror image;  
FIG. 4 is a bottom plan view of the design;  
FIG. 5 is an end elevation view of the design; and,  
FIG. 6 is a perspective view of a second embodiment of the design.

**1 Claim, 4 Drawing Sheets**



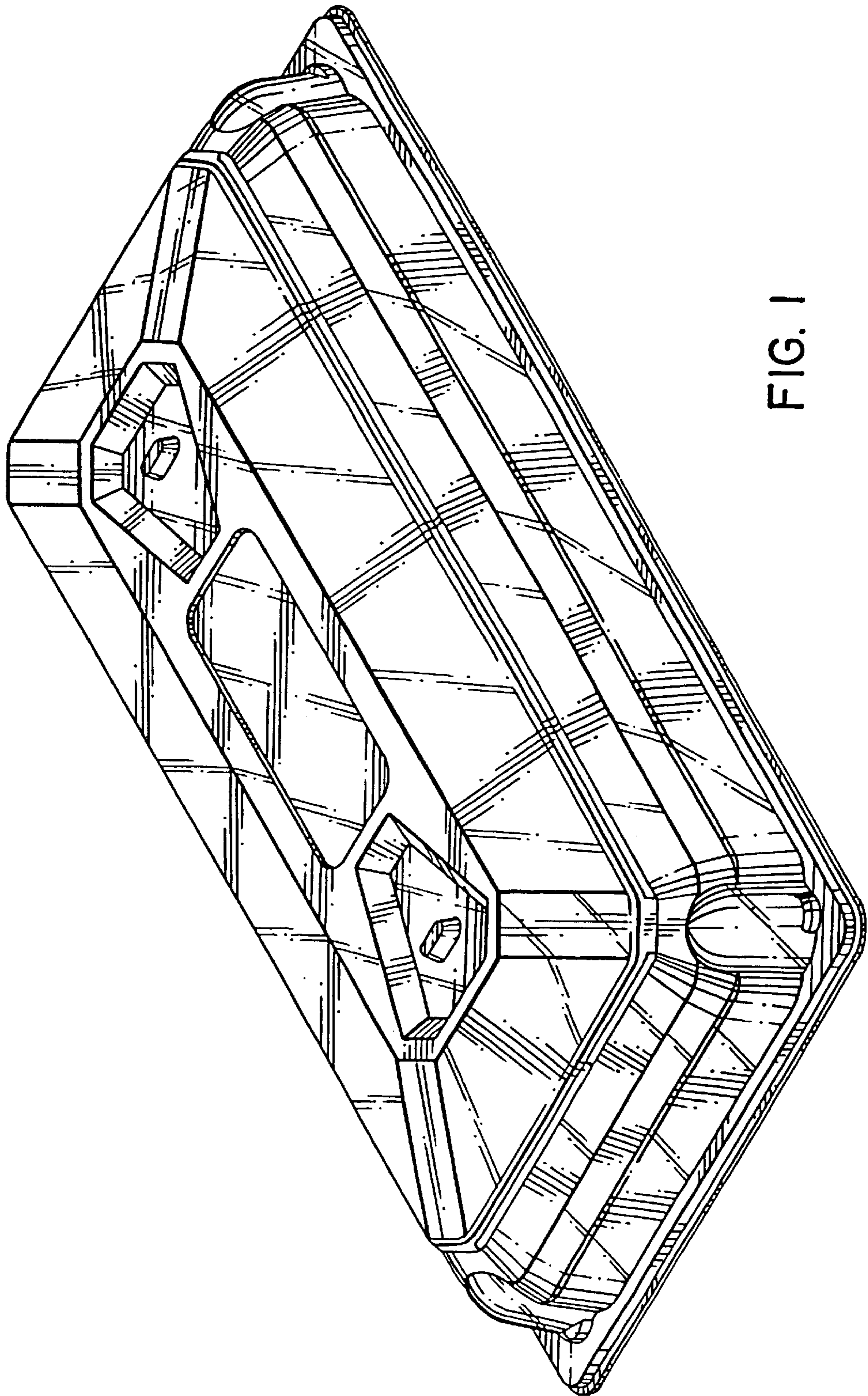


FIG. 1



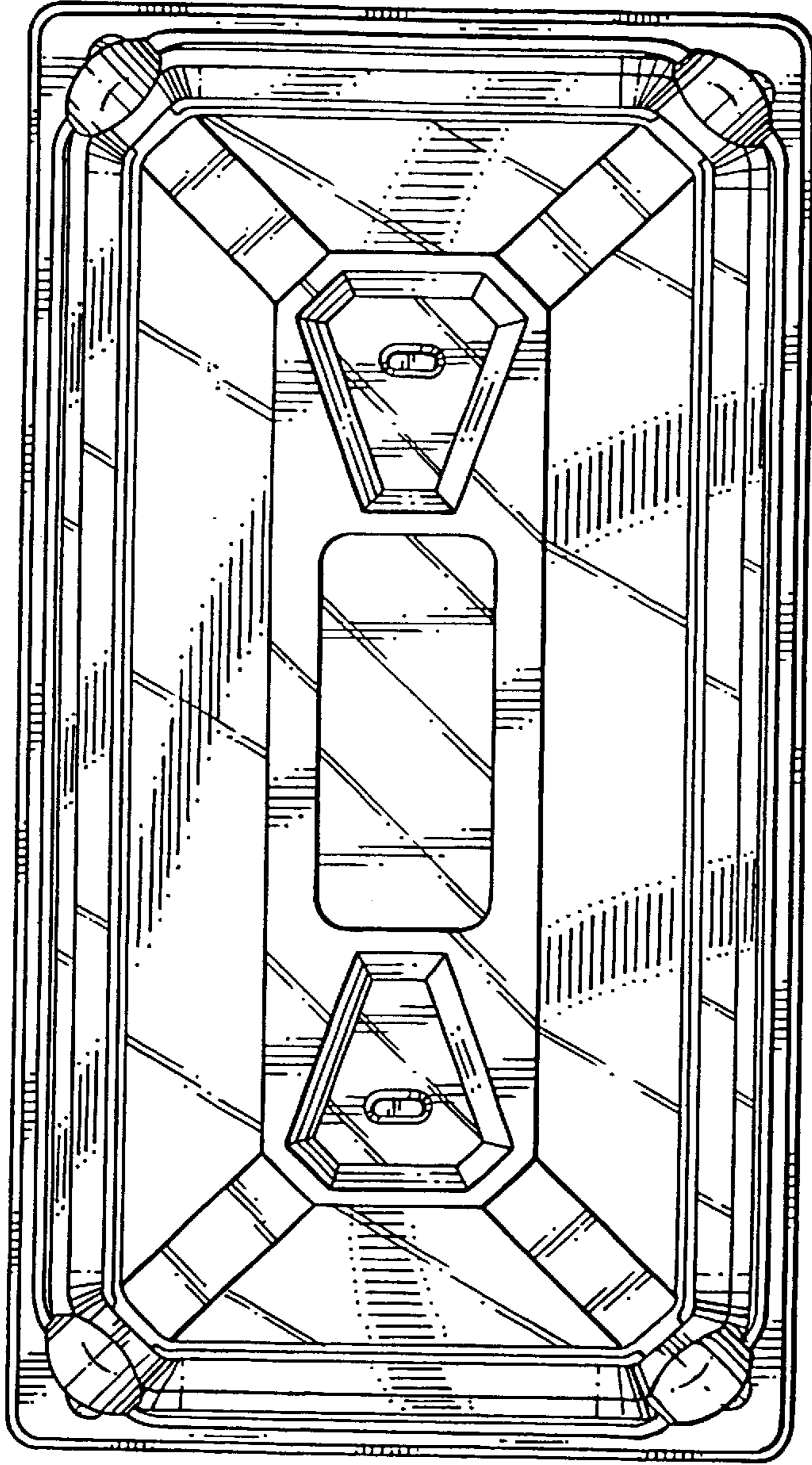


FIG. 2

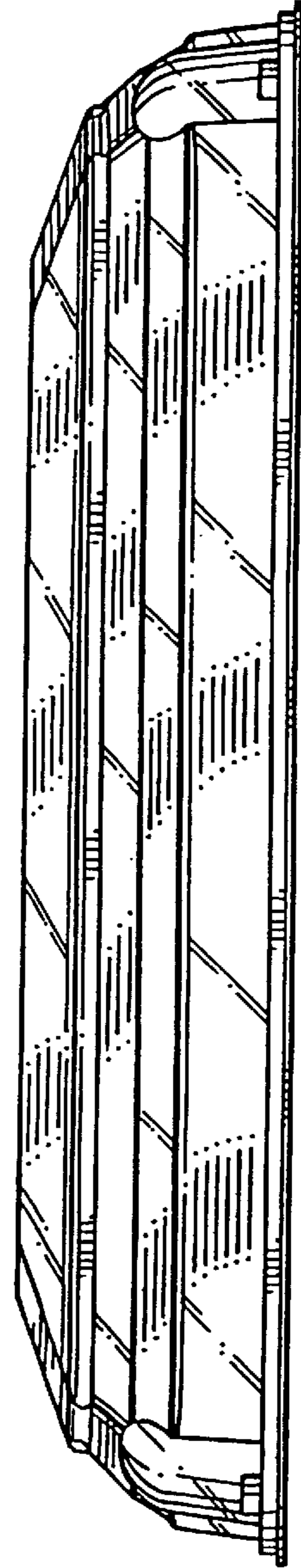


FIG. 3

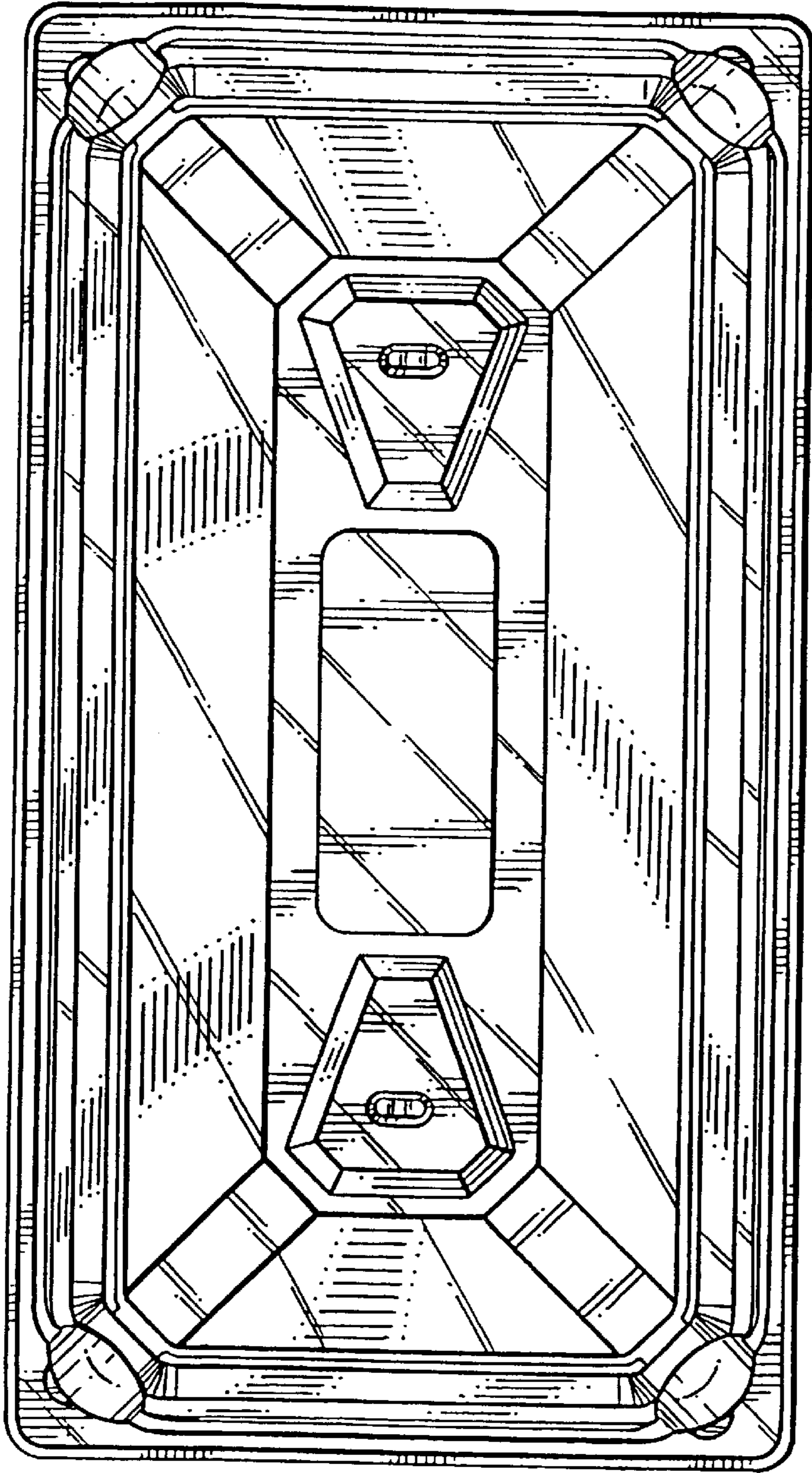


FIG. 4

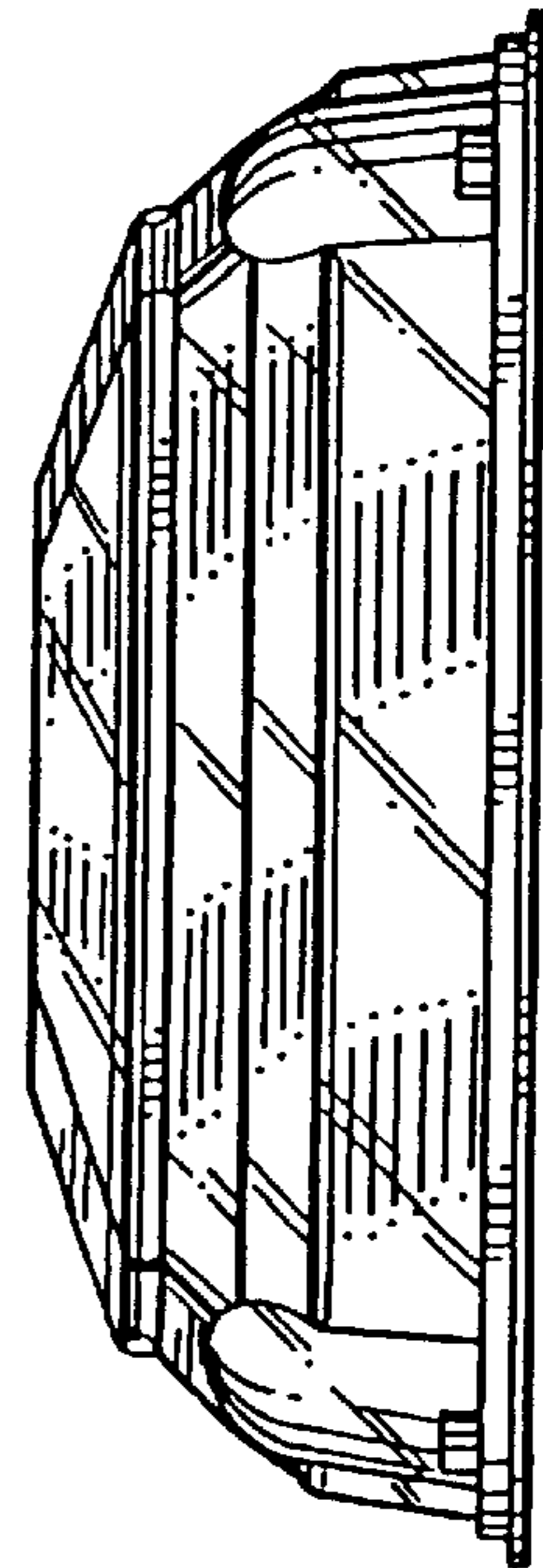


FIG. 5

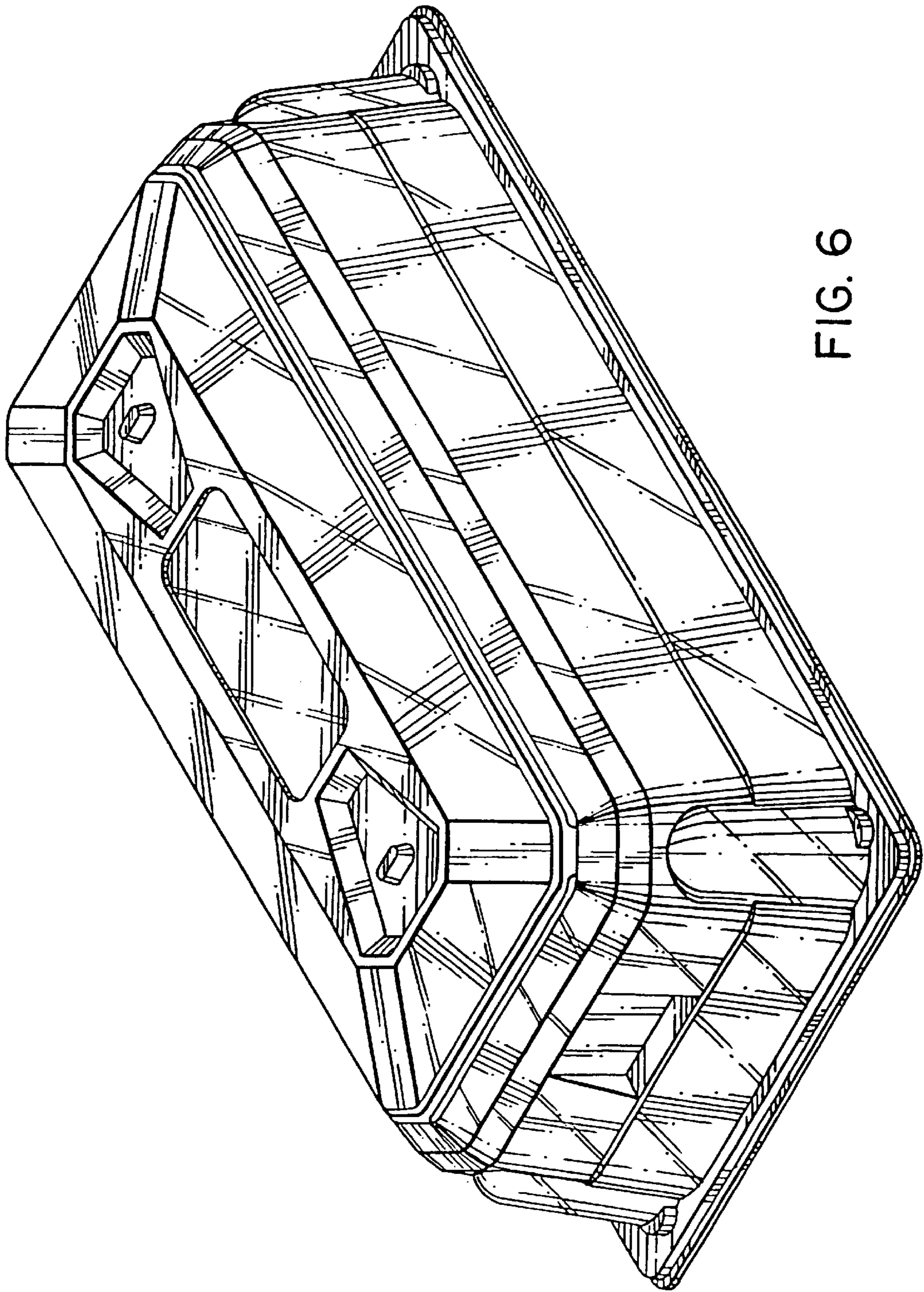


FIG. 6