



US00D489280S

(12) **United States Design Patent**
Runge et al.

(10) **Patent No.: US D489,280 S**

(45) **Date of Patent: ** *May 4, 2004**

(54) **SENSOR**

(76) Inventors: **Thomas Henry Runge**, 51 Cowart Ave., Manasquan, NJ (US) 08736;
Bruce Martin Downie, 33 Model Ave., Hopewell, NJ (US) 08525

(*) Notice: This patent is subject to a terminal disclaimer.

(**) Term: **14 Years**

(21) Appl. No.: **29/141,104**

(22) Filed: **Apr. 30, 2001**

(51) **LOC (7) Cl.** **10-04**

(52) **U.S. Cl.** **D10/101**

(58) **Field of Search** D10/52, 53, 56,
D10/101; 340/601, 602, 612, 618; 73/170.17,
170.21, 170.23; 200/61.04, 61.06, 61.07

(56) **References Cited**

U.S. PATENT DOCUMENTS

5,101,083 A * 3/1992 Tyler et al. 200/61.04
D421,576 S * 3/2000 Olivio D10/101

* cited by examiner

Primary Examiner—Antoine Duval Davis

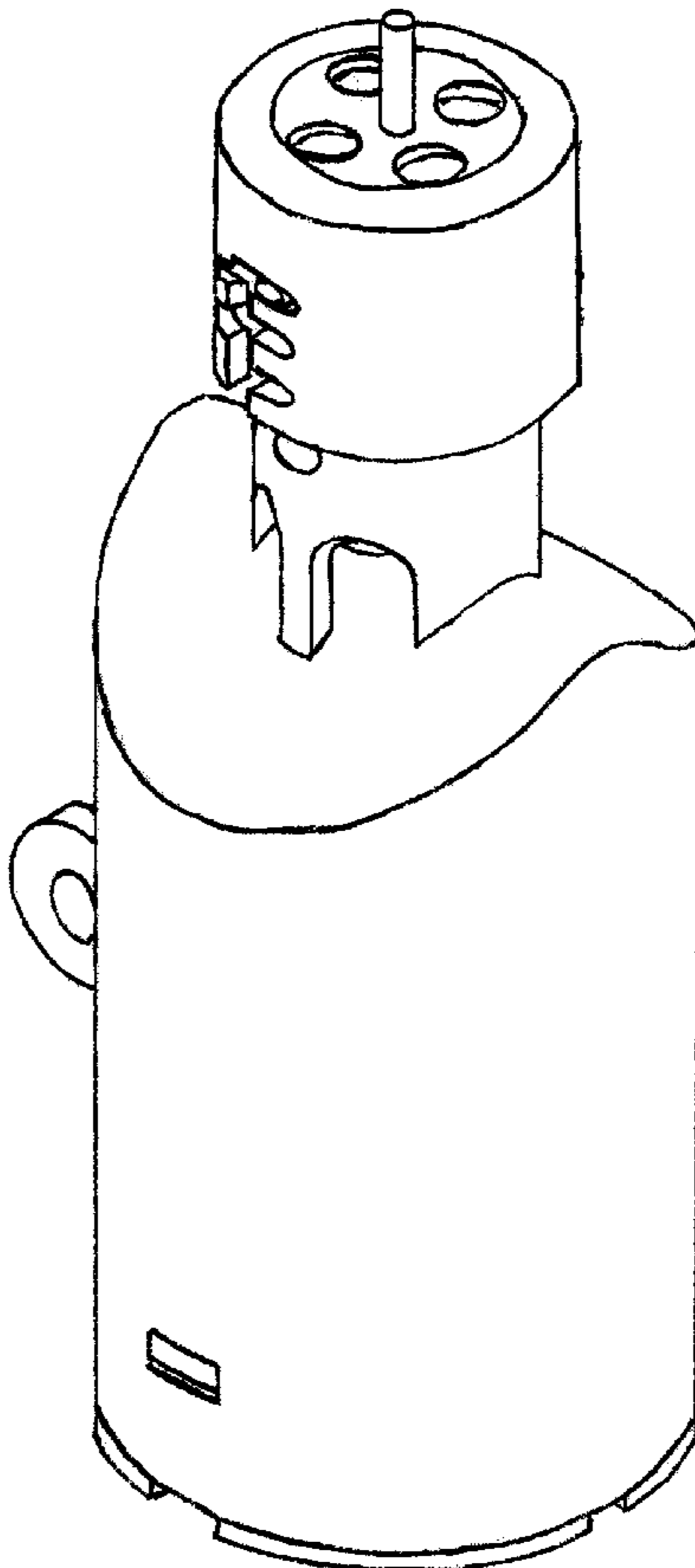
(57) **CLAIM**

The ornamental design for a sensor, as shown.

DESCRIPTION

FIG. 1 is a perspective view.
FIG. 2 is a front elevation view.
FIG. 3 is a rear view.
FIG. 4 is a left side view.
FIG. 5 is a right side view.
FIG. 6 is a top view.
FIG. 7 is a bottom view.
FIG. 8 is a perspective view of a second version showing mounting bracket.
FIG. 9 is a front elevation view of the second version showing mounting bracket.
FIG. 10 is a rear view of the second version showing mounting bracket.
FIG. 11 is a left side view of the second version showing mounting bracket.
FIG. 12 is a right side view of the second version showing mounting bracket.
FIG. 13 is a top view of the second version showing mounting bracket; and,
FIG. 14 is a bottom view of the second version showing mounting bracket.

1 Claim, 9 Drawing Sheets



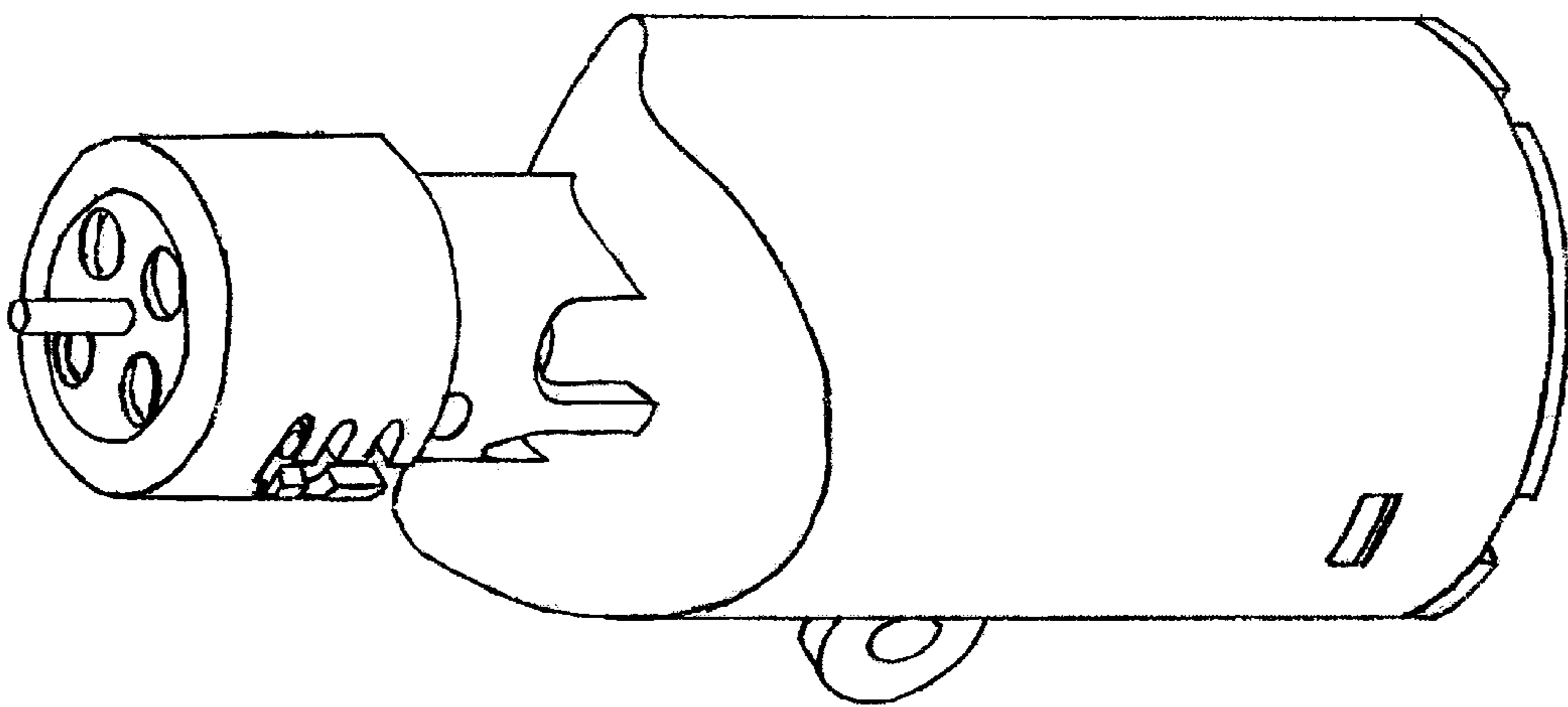


FIG. 1

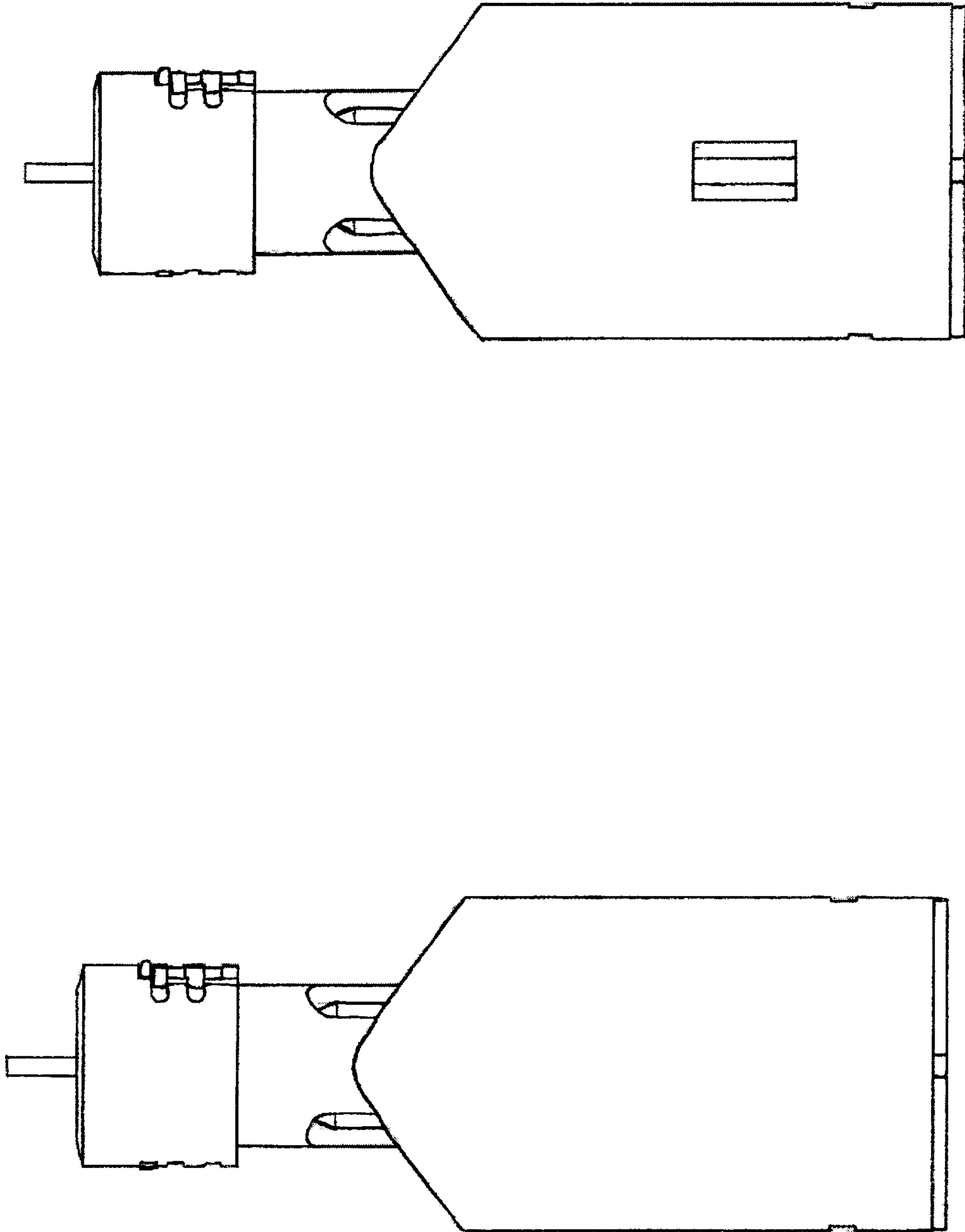


FIG. 3

FIG. 2

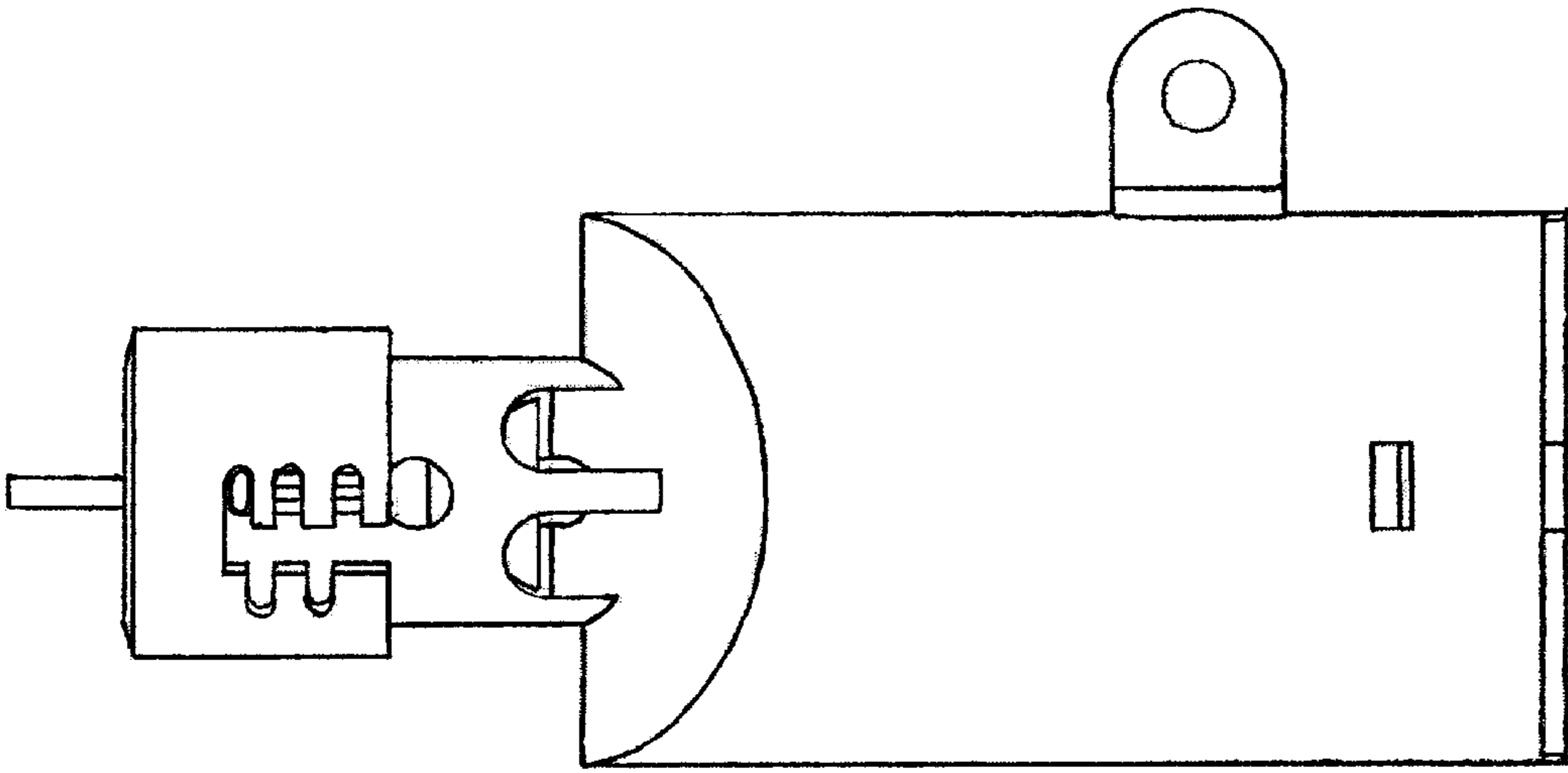


FIG. 5

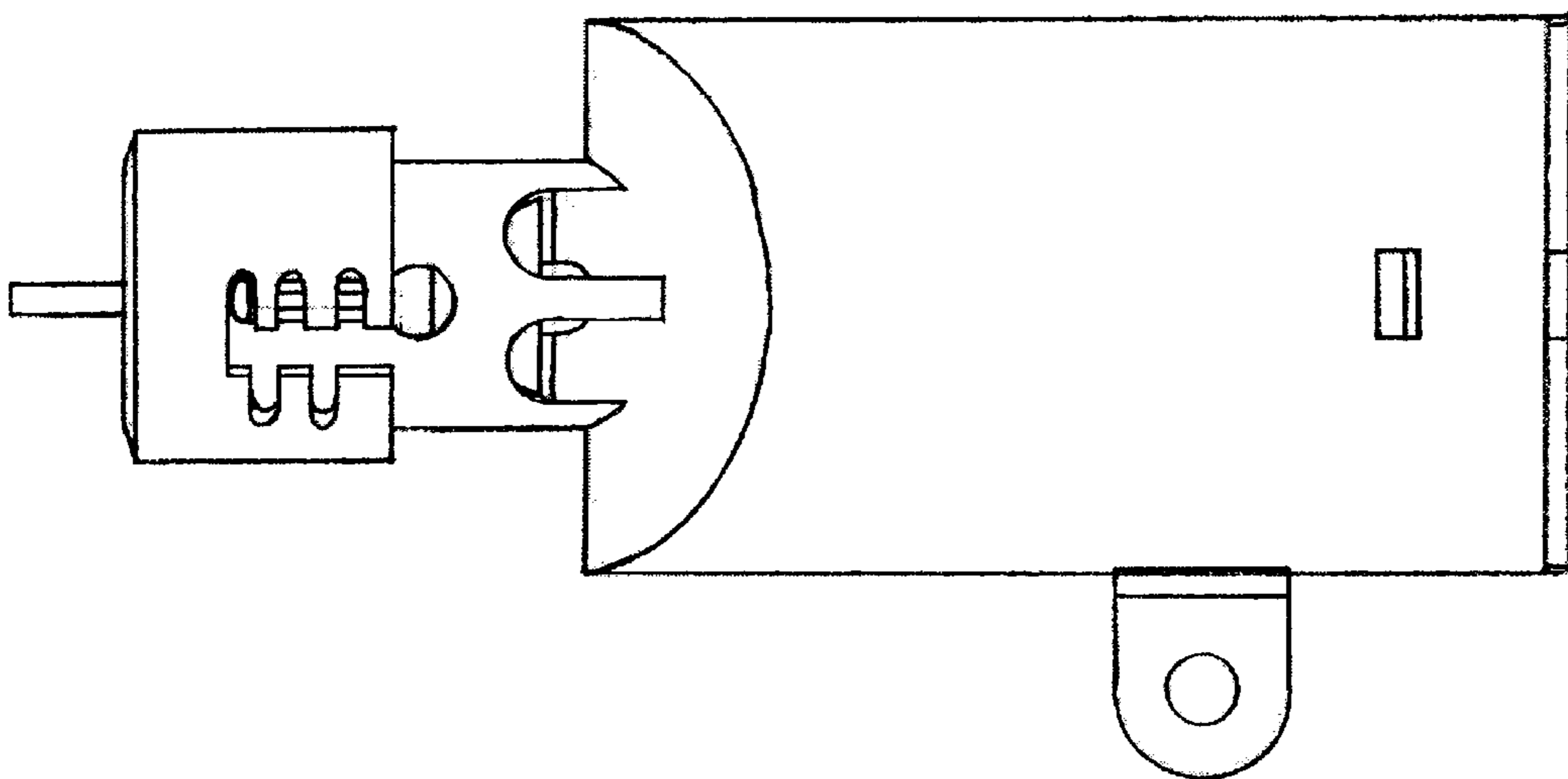


FIG. 4

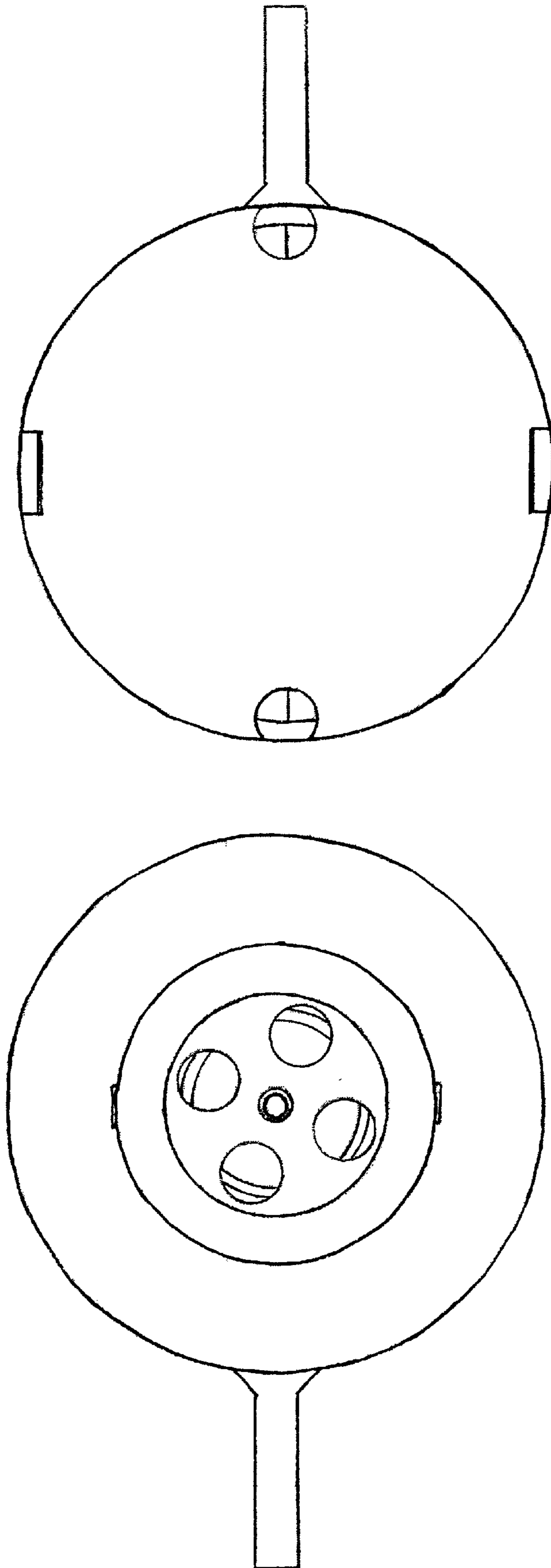


FIG. 7

FIG. 6

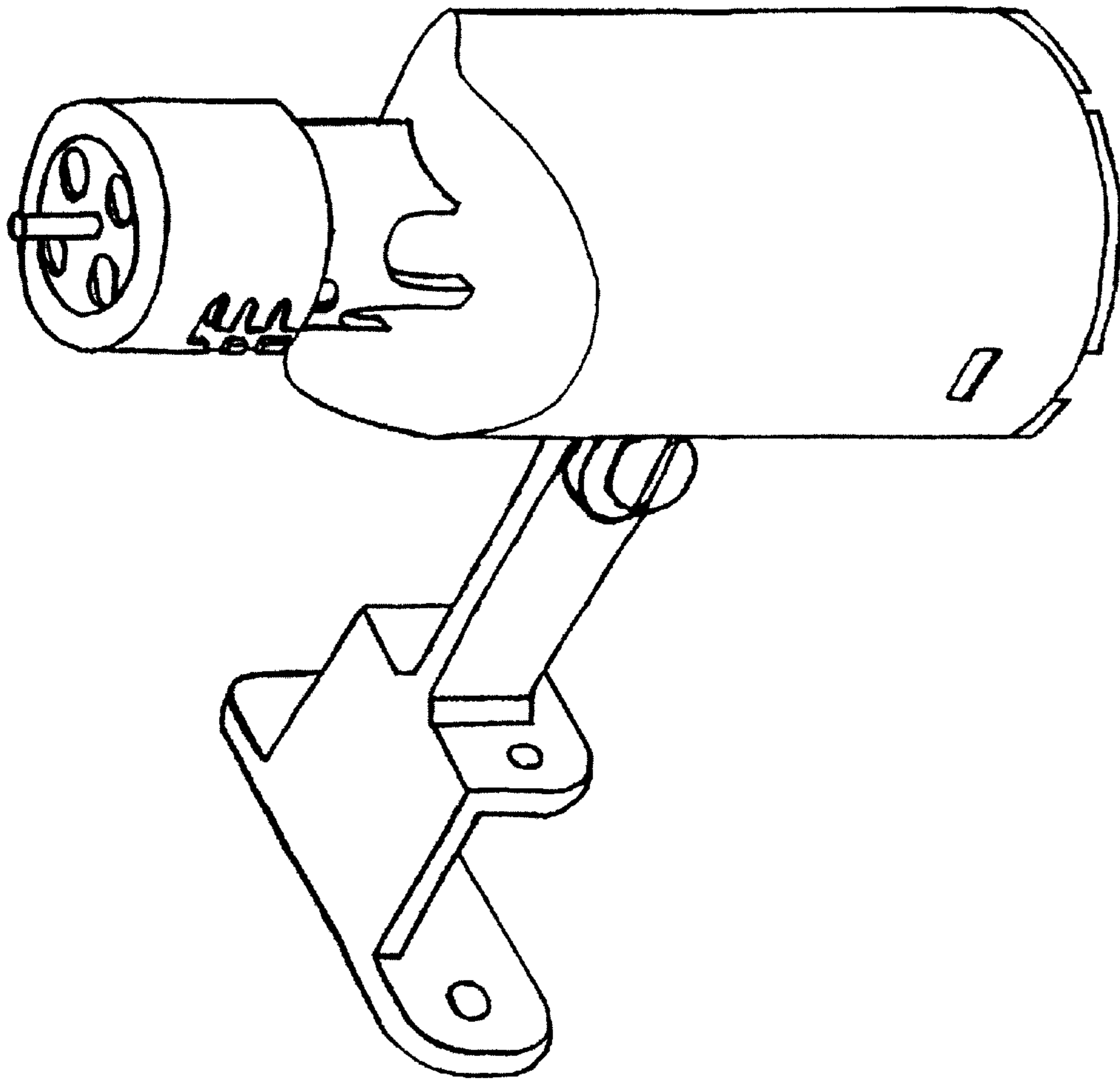


FIG. 8

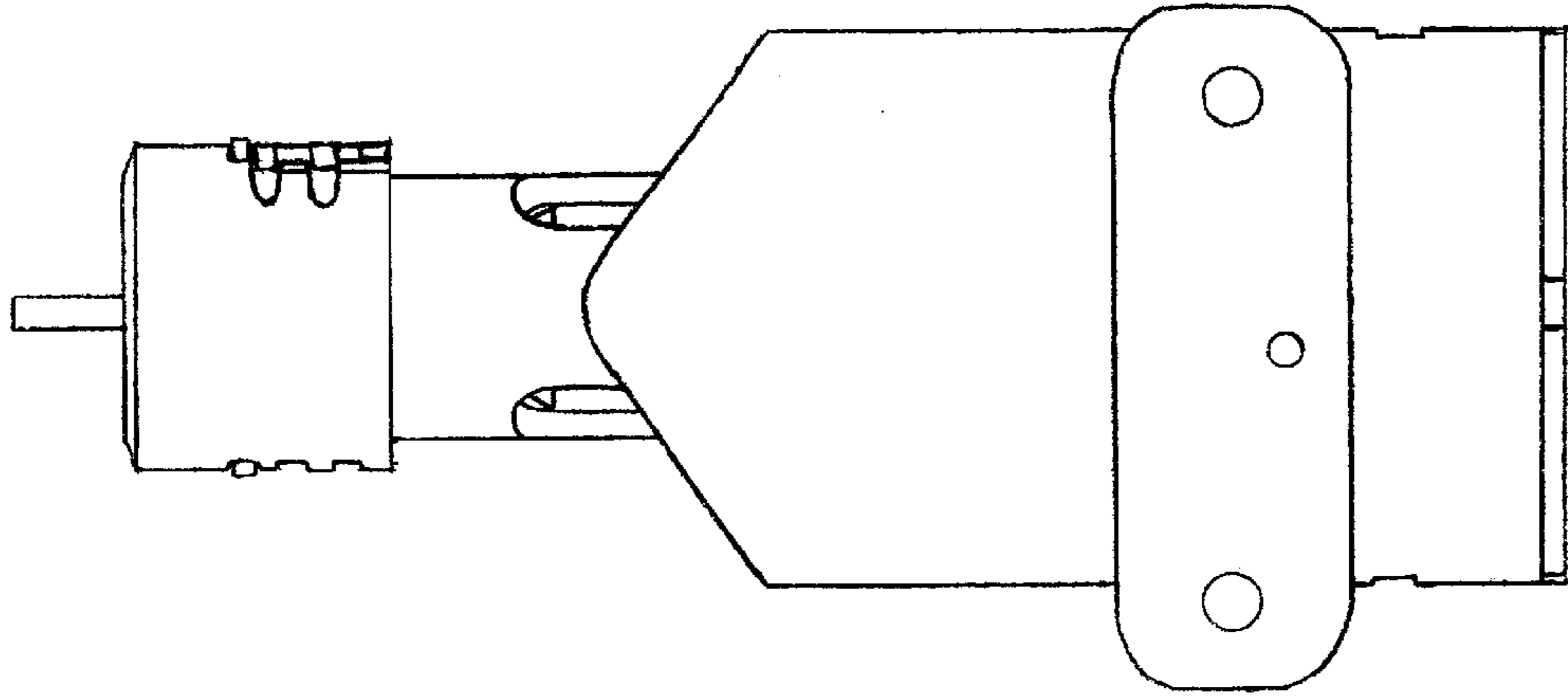


FIG. 10

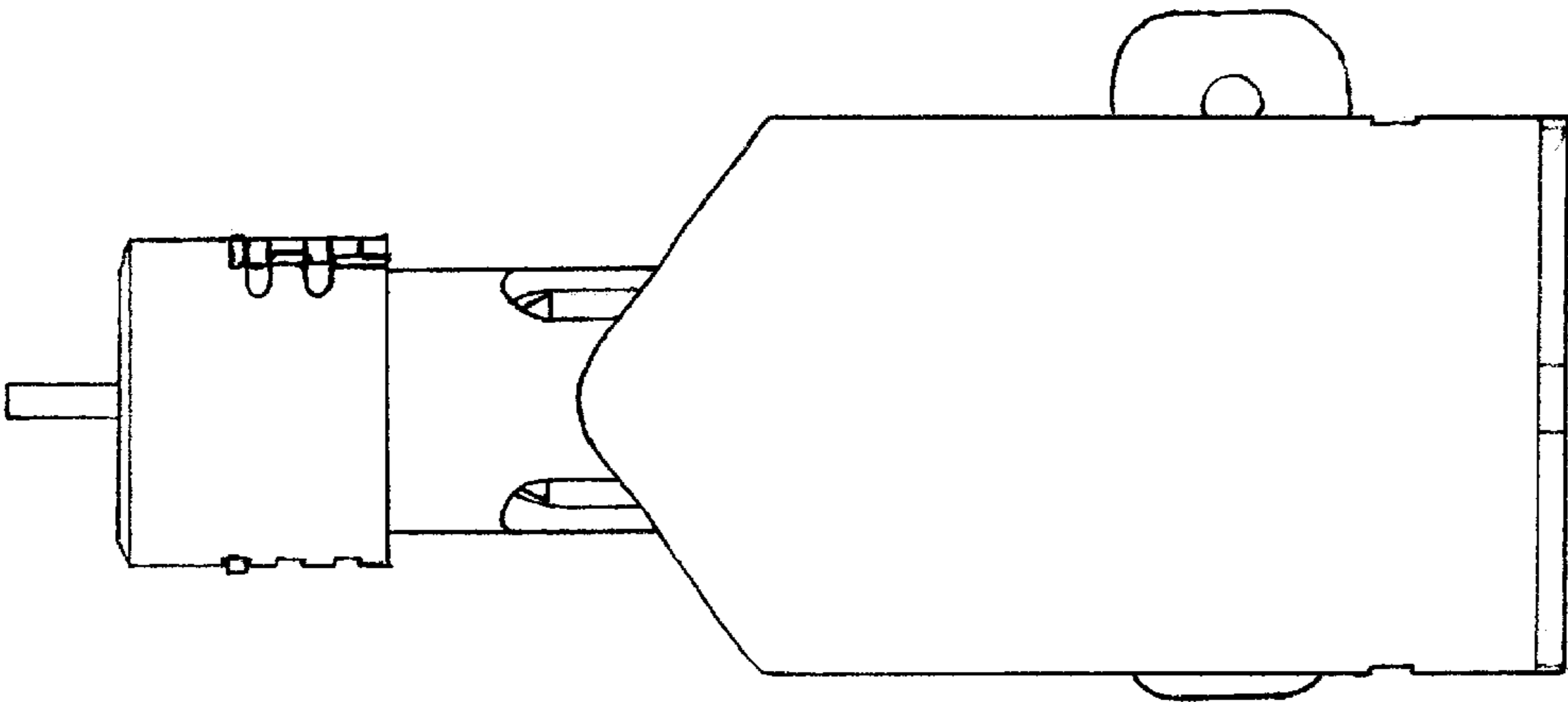


FIG. 9

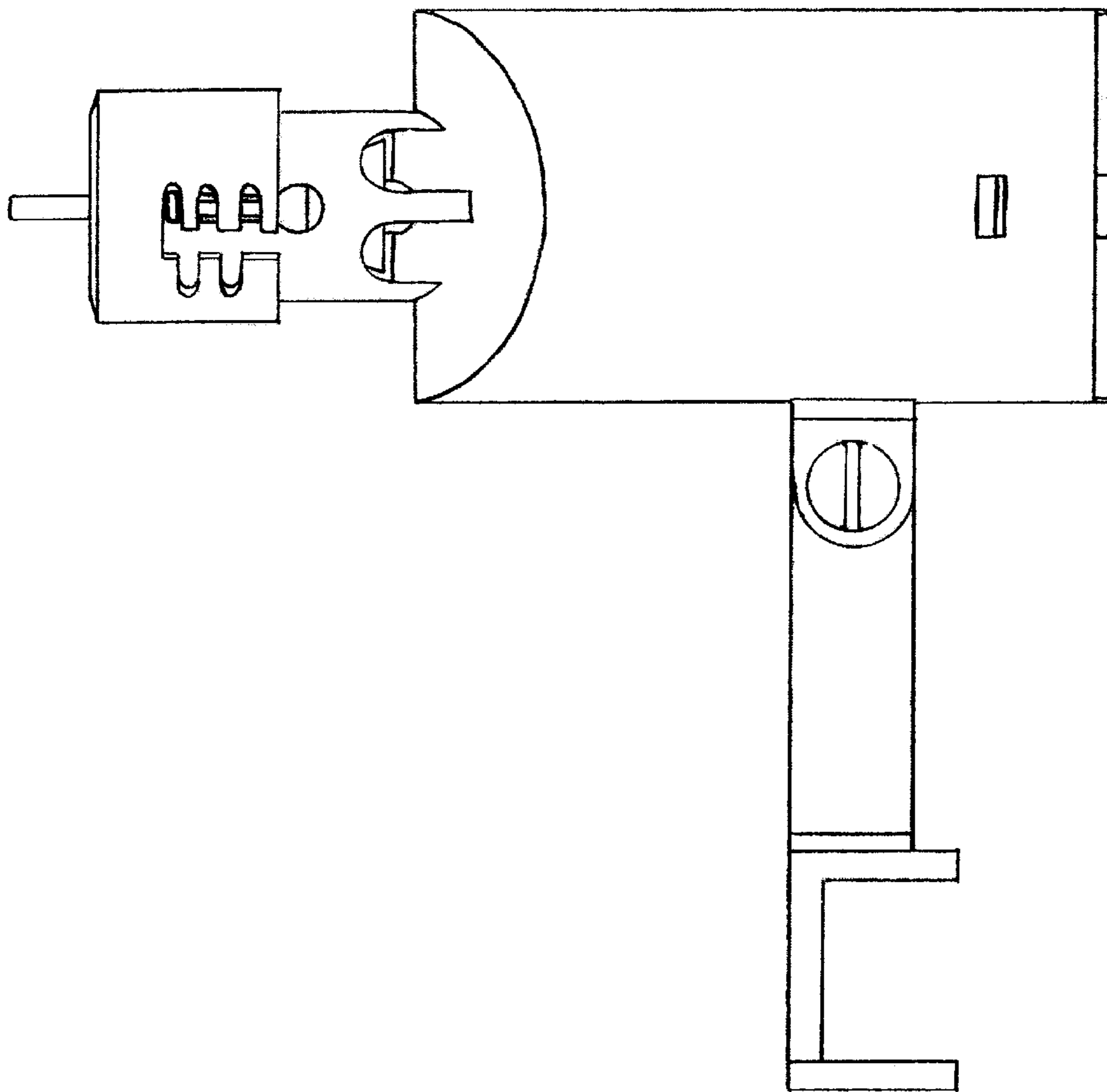


FIG. 11

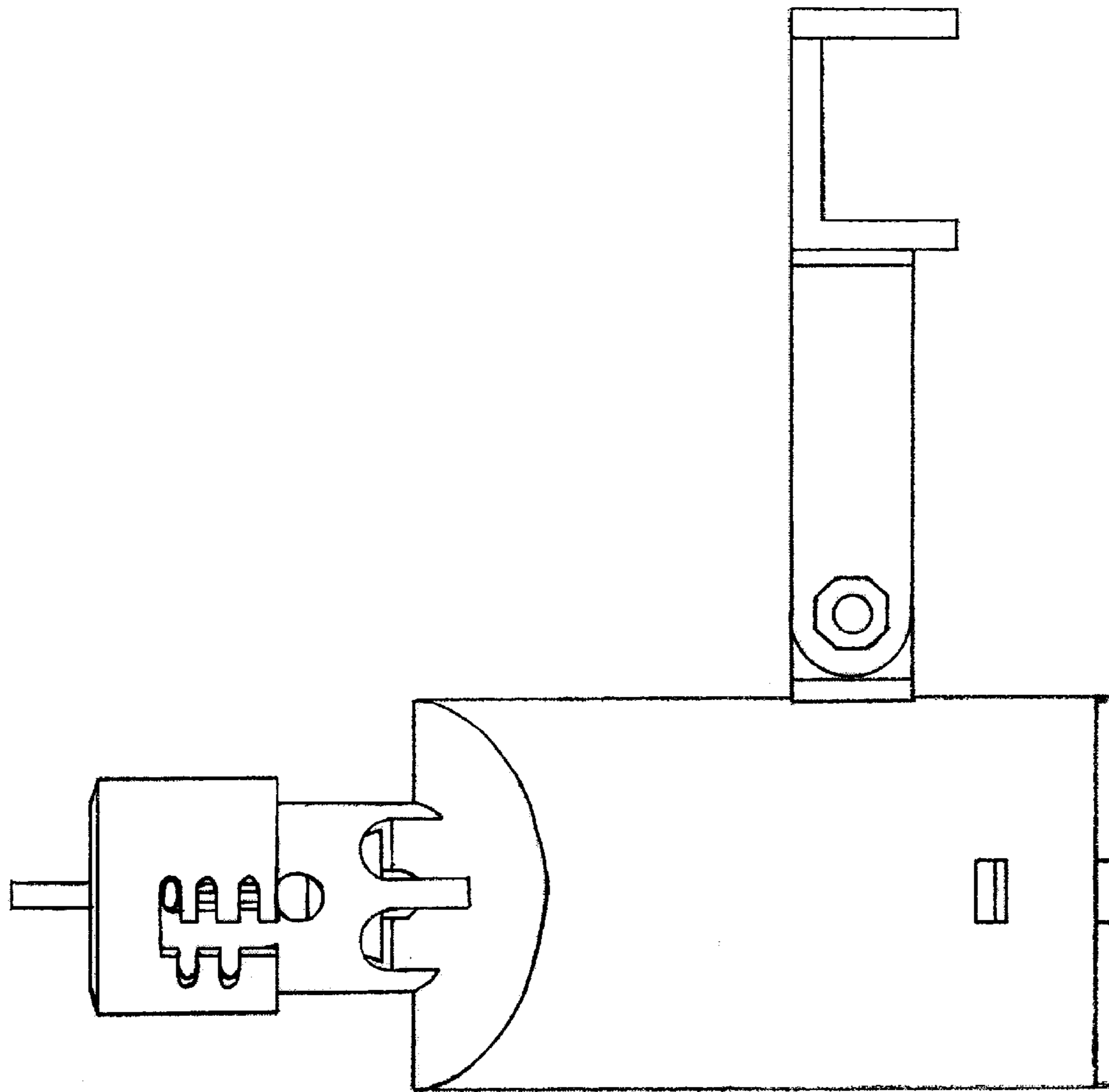


FIG. 12

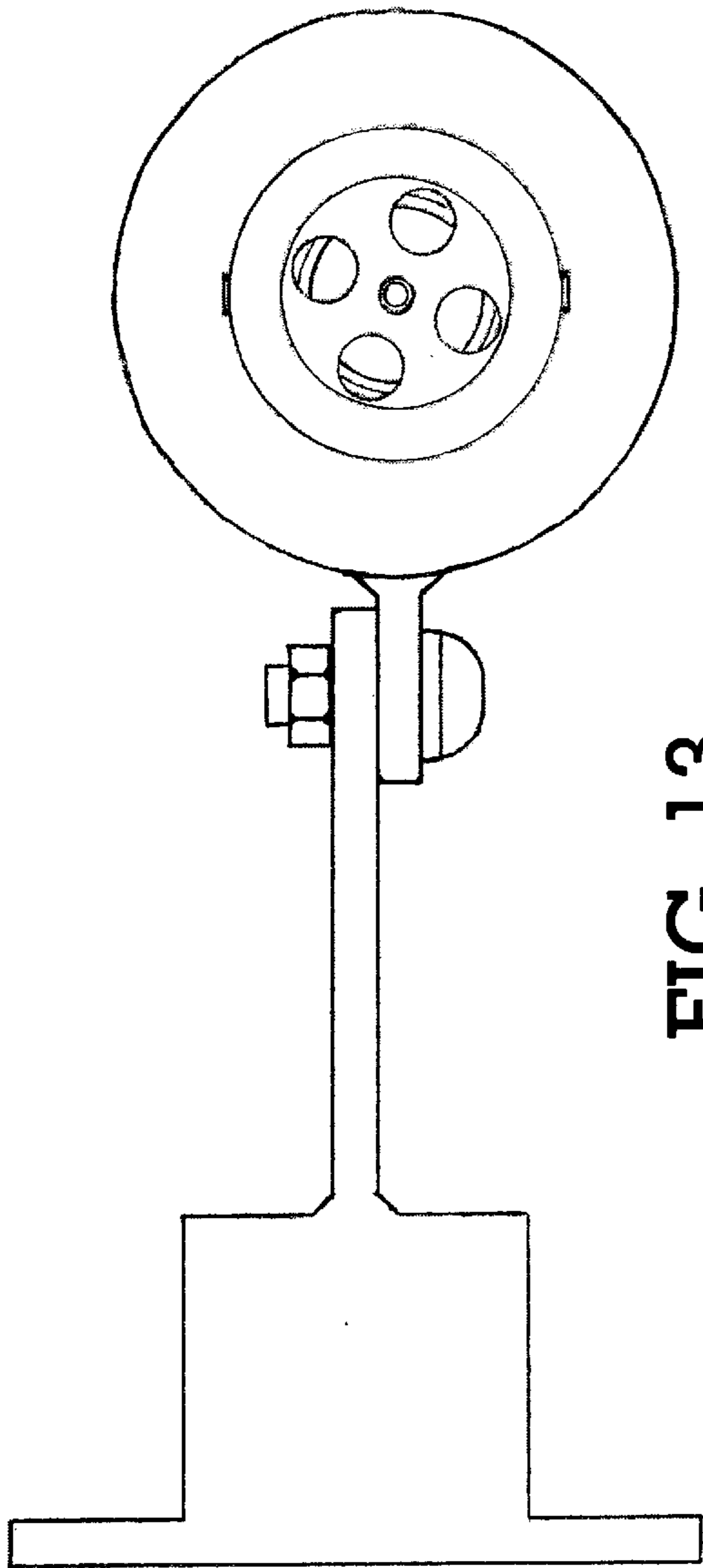


FIG. 13

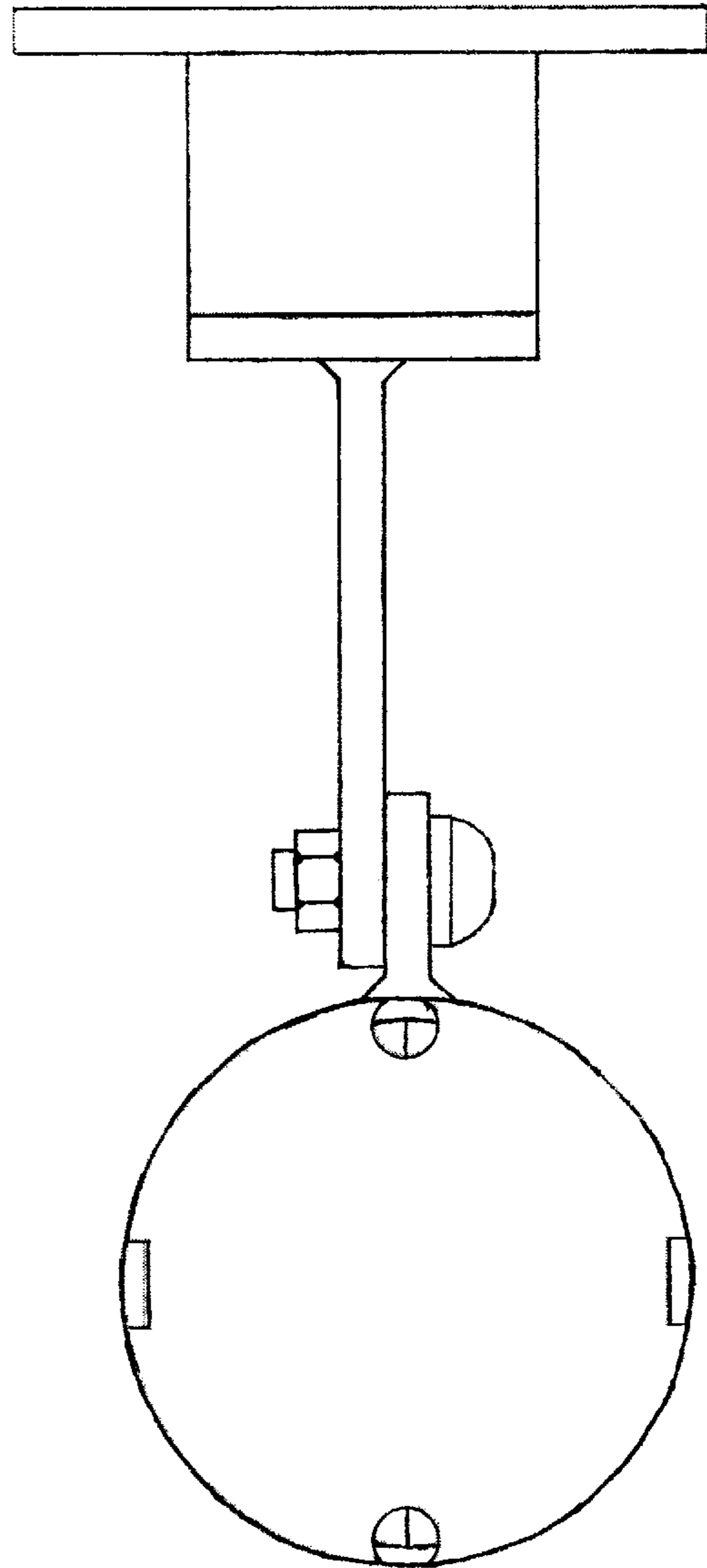


FIG. 14