



US00D489274S

(12) **United States Design Patent**  
**Iwata**

(10) **Patent No.:** **US D489,274 S**

(45) **Date of Patent:** **\*\* May 4, 2004**

(54) **STOPWATCH**

D382,818 S \* 8/1997 Houlihan ..... D10/30

(75) Inventor: **Masanori Iwata**, Chiba (JP)

\* cited by examiner

(73) Assignee: **Seiko Instruments Inc.**, Chiba (JP)

*Primary Examiner*—Nelson C. Holtje  
(74) *Attorney, Agent, or Firm*—Finnegan, Henderson, Farabow, Garrett & Dunner, LLP

(\*\*) Term: **14 Years**

(21) Appl. No.: **29/191,308**

(57) **CLAIM**

(22) Filed: **Oct. 7, 2003**

The ornamental design for a stopwatch, as shown and described.

(51) **LOC (7) Cl.** ..... **10-03**

(52) **U.S. Cl.** ..... **D10/40**

(58) **Field of Search** ..... D10/1-40, 122-132;  
368/96-100, 107-121, 276-277, 285, 316,  
317, 10

**DESCRIPTION**

FIG. 1 is a perspective view of the front, bottom and right side of a stopwatch showing my new design;  
FIG. 2 is a front view thereof;  
FIG. 3 is a rear view thereof;  
FIG. 4 is a top plan view thereof;  
FIG. 5 is a bottom view thereof;  
FIG. 6 is a left side view thereof; and,  
FIG. 7 is a right side view thereof.

(56) **References Cited**

**U.S. PATENT DOCUMENTS**

- D199,270 S \* 9/1964 Michaels ..... D10/42
- 4,690,568 A \* 9/1987 Odagiri et al. .... 368/204
- D324,827 S \* 3/1992 Morishima ..... D10/30

**1 Claim, 3 Drawing Sheets**

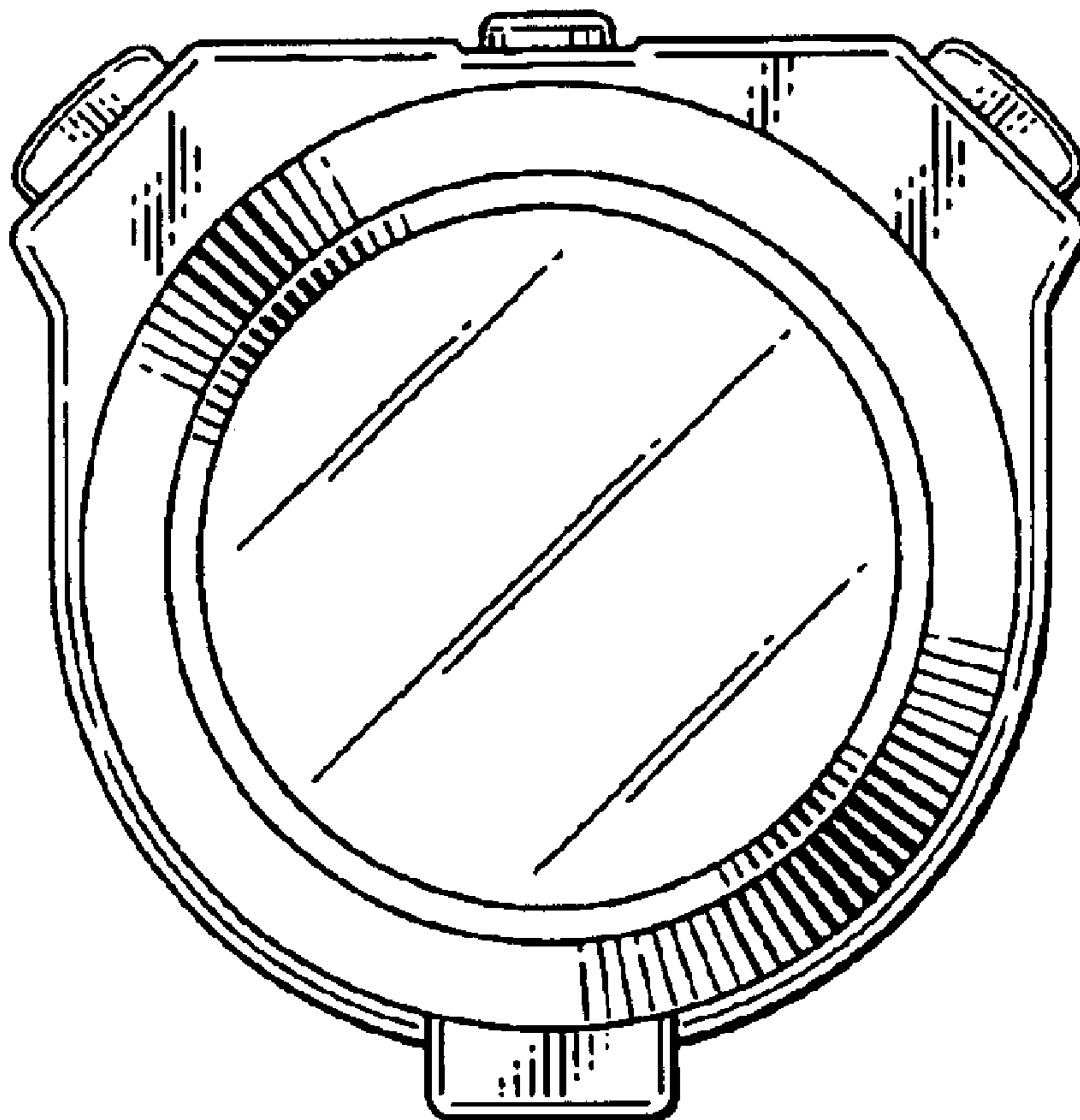


FIG. 1

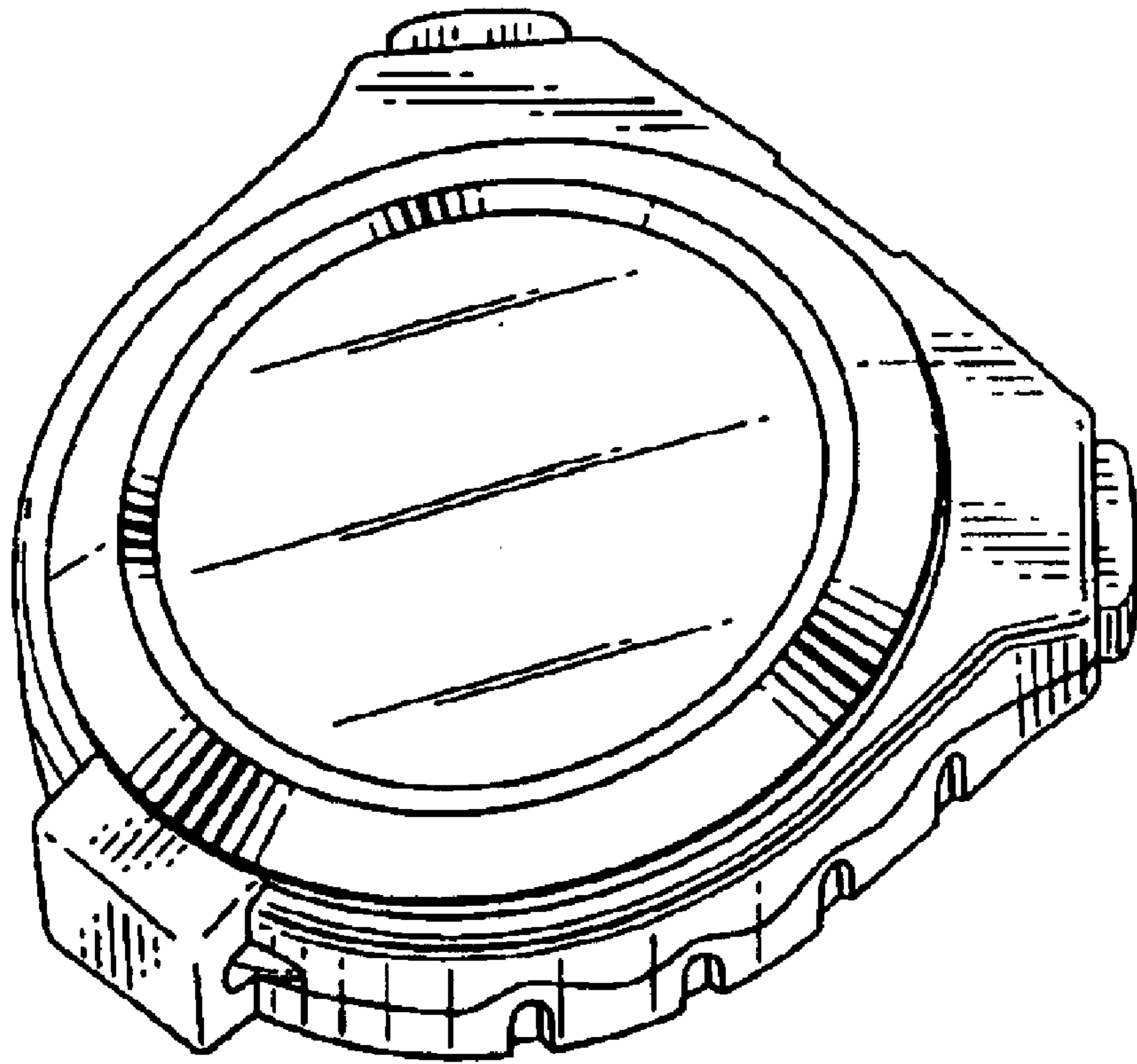


FIG. 2

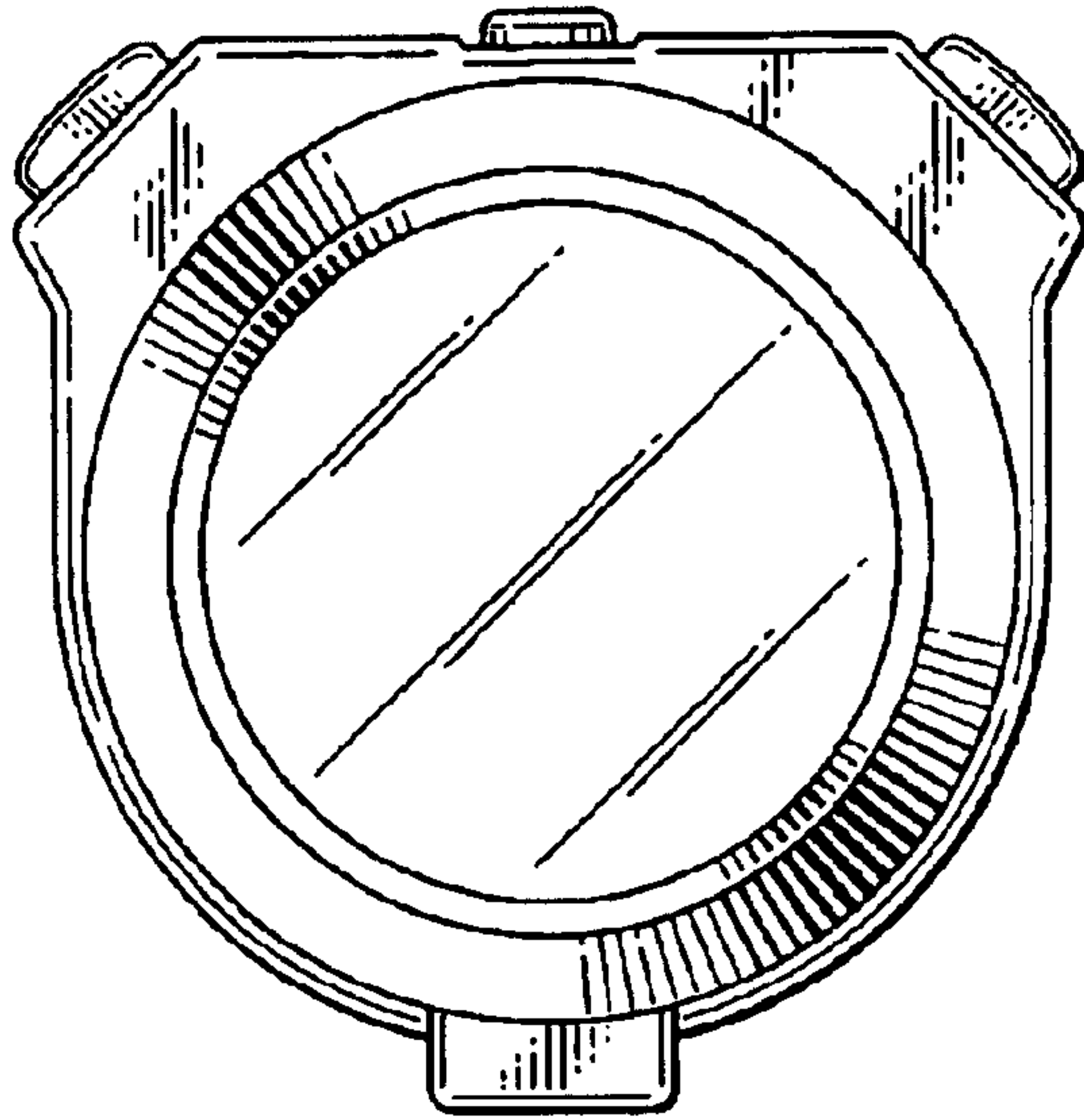


FIG. 3

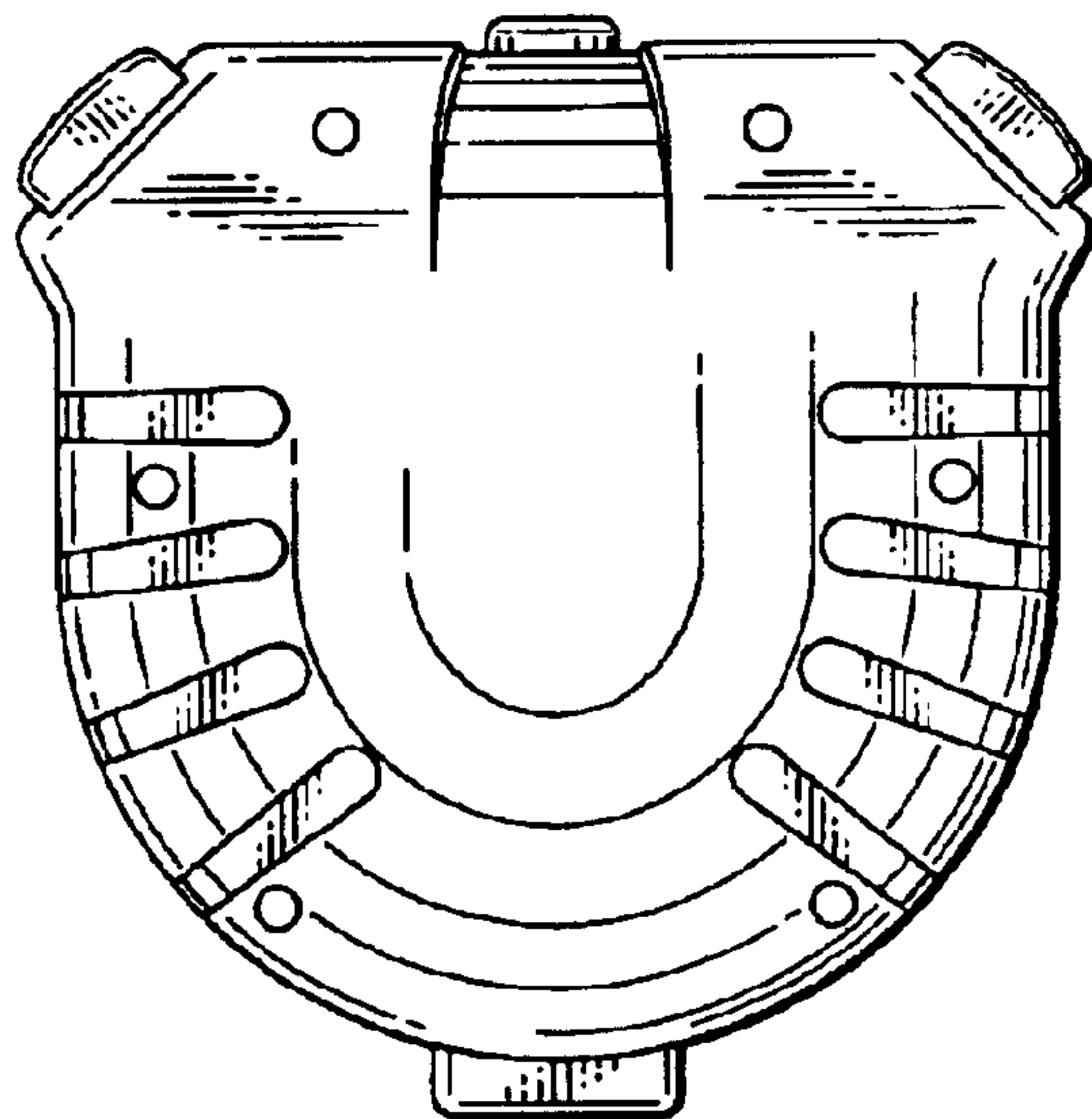


FIG. 4

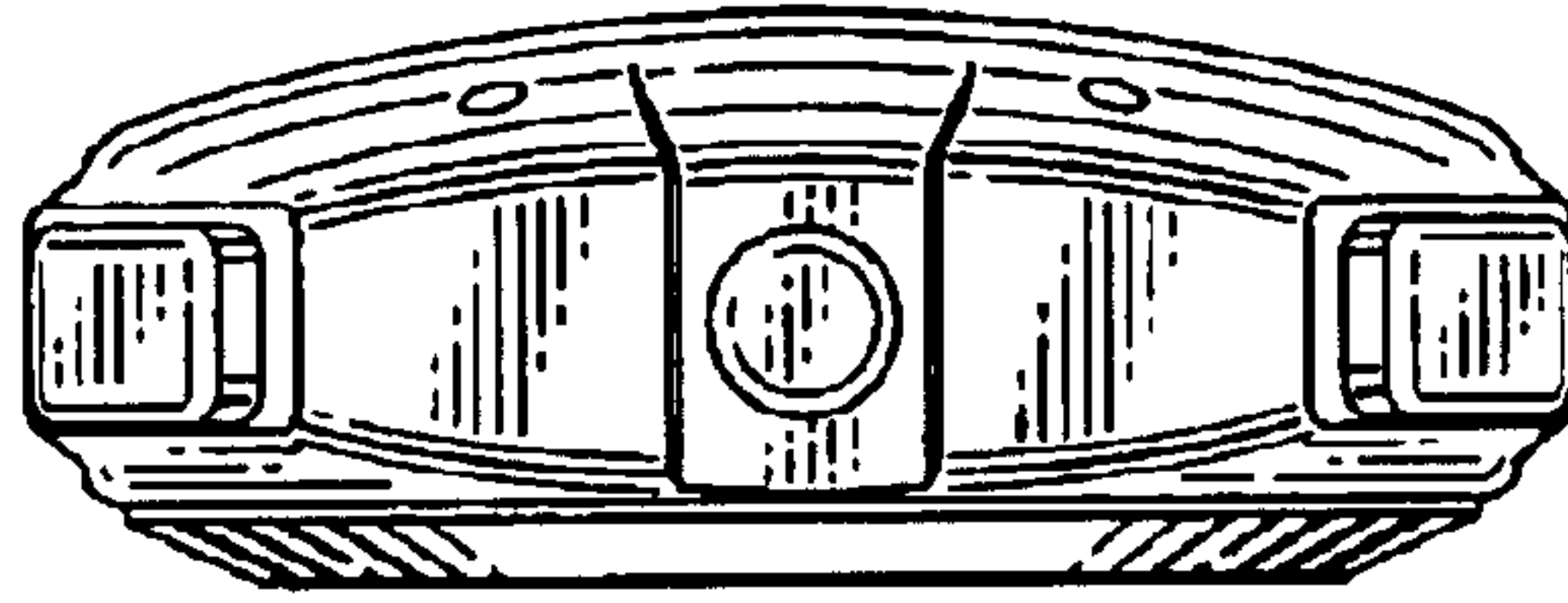


FIG. 5

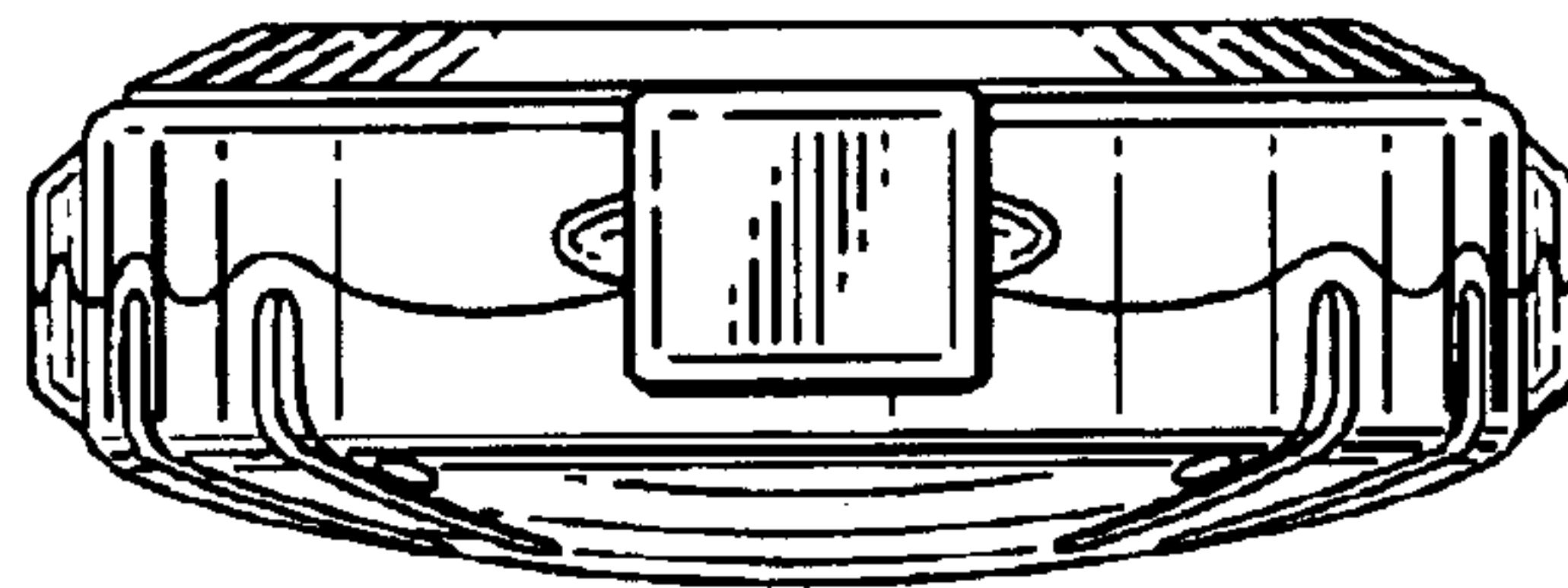


FIG. 6

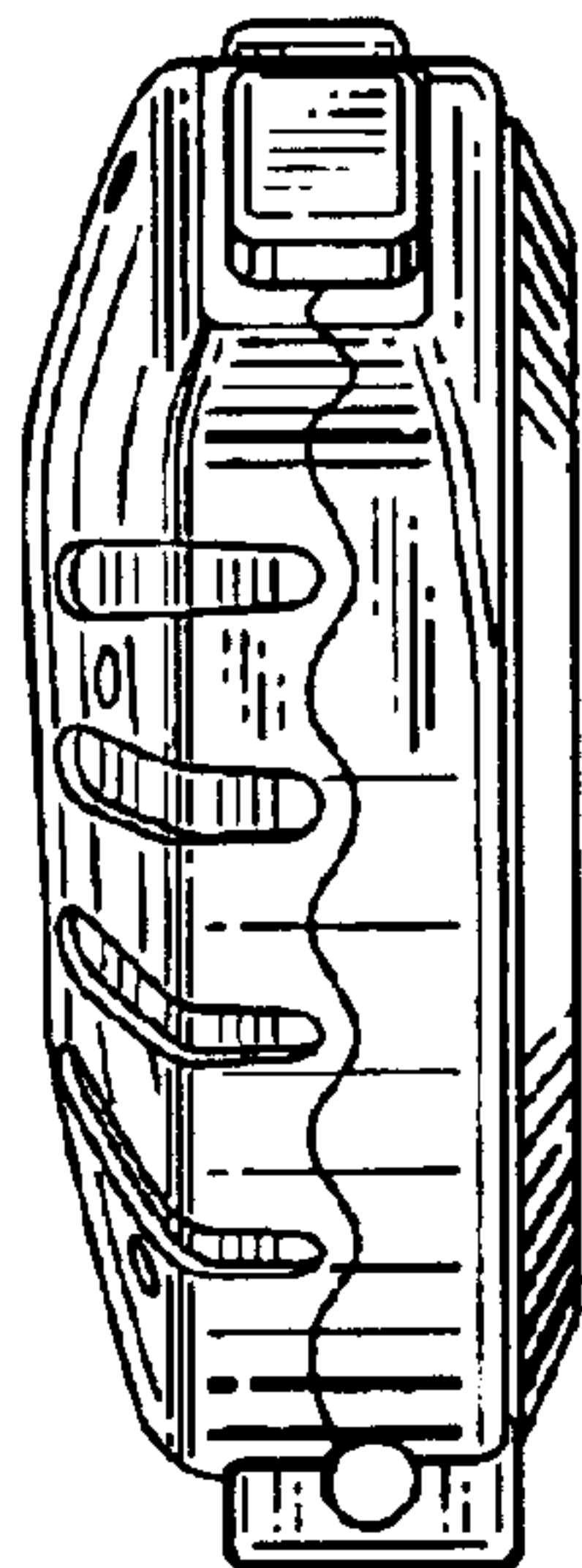


FIG. 7

