



US00D489260S

(12) **United States Design Patent**
Smith et al.

(10) **Patent No.:** **US D489,260 S**

(45) **Date of Patent:** **** May 4, 2004**

- (54) **RECLOSABLE CONTAINER LID**
- (75) Inventors: **Stephen Alan Smith**, Naperville, IL (US); **Warren Giles Wiedmeyer**, Trevor, WI (US); **John Stewart Gitschlag**, Chicago, IL (US); **James Tam Joines, Jr.**, Gurnee, IL (US); **Bryce G. Rutter**, St. Louis, MO (US); **Brian C. Bone**, St. Louis, MO (US)
- (73) Assignee: **Solo Cup Company**, Highland Park, IL (US)
- (**) Term: **14 Years**
- (21) Appl. No.: **29/179,585**
- (22) Filed: **Apr. 11, 2003**

Related U.S. Application Data

- (60) Division of application No. 29/165,202, filed on Aug. 5, 2002, now Pat. No. Des. 477,223, which is a continuation-in-part of application No. 09/923,763, filed on Aug. 6, 2001.
- (51) **LOC (7) Cl.** **09-07**
- (52) **U.S. Cl.** **D9/447; D9/449**
- (58) **Field of Search** D9/434, 435-438, D9/447, 450, 449, 454; D7/511; 215/307, 316, 317, 324, 387; 220/200, 306, 307, 711, 713, 719

References Cited

U.S. PATENT DOCUMENTS

D368,624 S * 4/1996 Forrer D9/447

D402,556 S * 12/1998 Frye D9/447
 D437,223 S * 2/2001 Coy et al. D9/447
 6,374,726 B1 * 4/2002 Melton et al. 220/718

* cited by examiner

Primary Examiner—Ian Simmons
Assistant Examiner—Gregory Andoll
 (74) *Attorney, Agent, or Firm*—Wallenstein Wagner & Rockey, Ltd.

CLAIM

(57) What is claimed is the ornamental design for a reclosable container lid, as shown and described.

DESCRIPTION

FIG. 1 is a perspective view of a reclosable container lid of the invention;
 FIG. 2 is a side view of the reclosable container lid of FIG. 1;
 FIG. 3 is a side view of the reclosable container lid of FIG. 1;
 FIG. 4 is a side view of the reclosable container lid of FIG. 1;
 FIG. 5 is a top view of the reclosable container lid of FIG. 1; and,
 FIG. 6 is a sectional view of the reclosable container lid taken along line 6—6 of FIG. 1, showing the contour of the lid.

The broken lines in the Figures form no part of the claimed design.

1 Claim, 3 Drawing Sheets

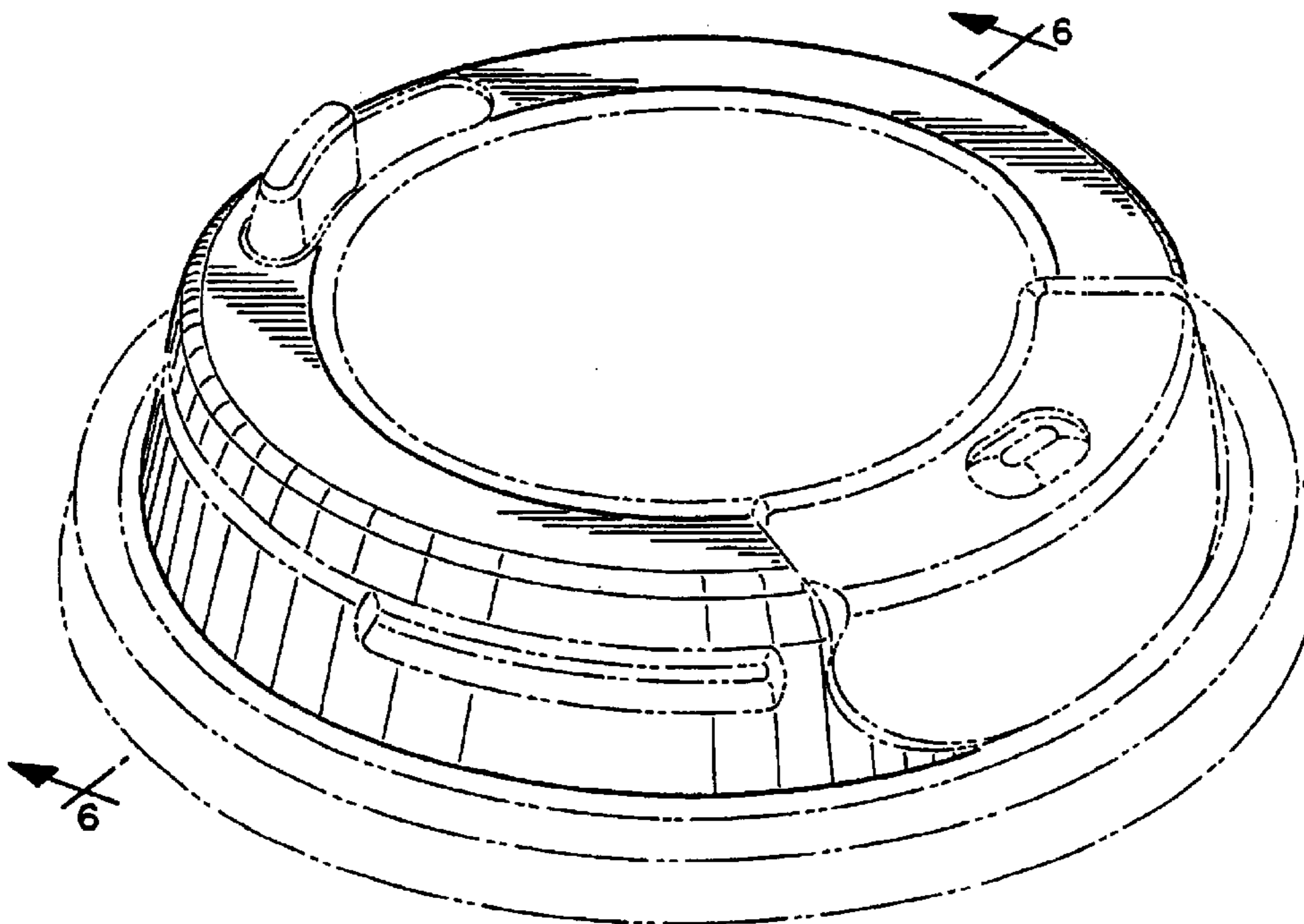


FIG. 1

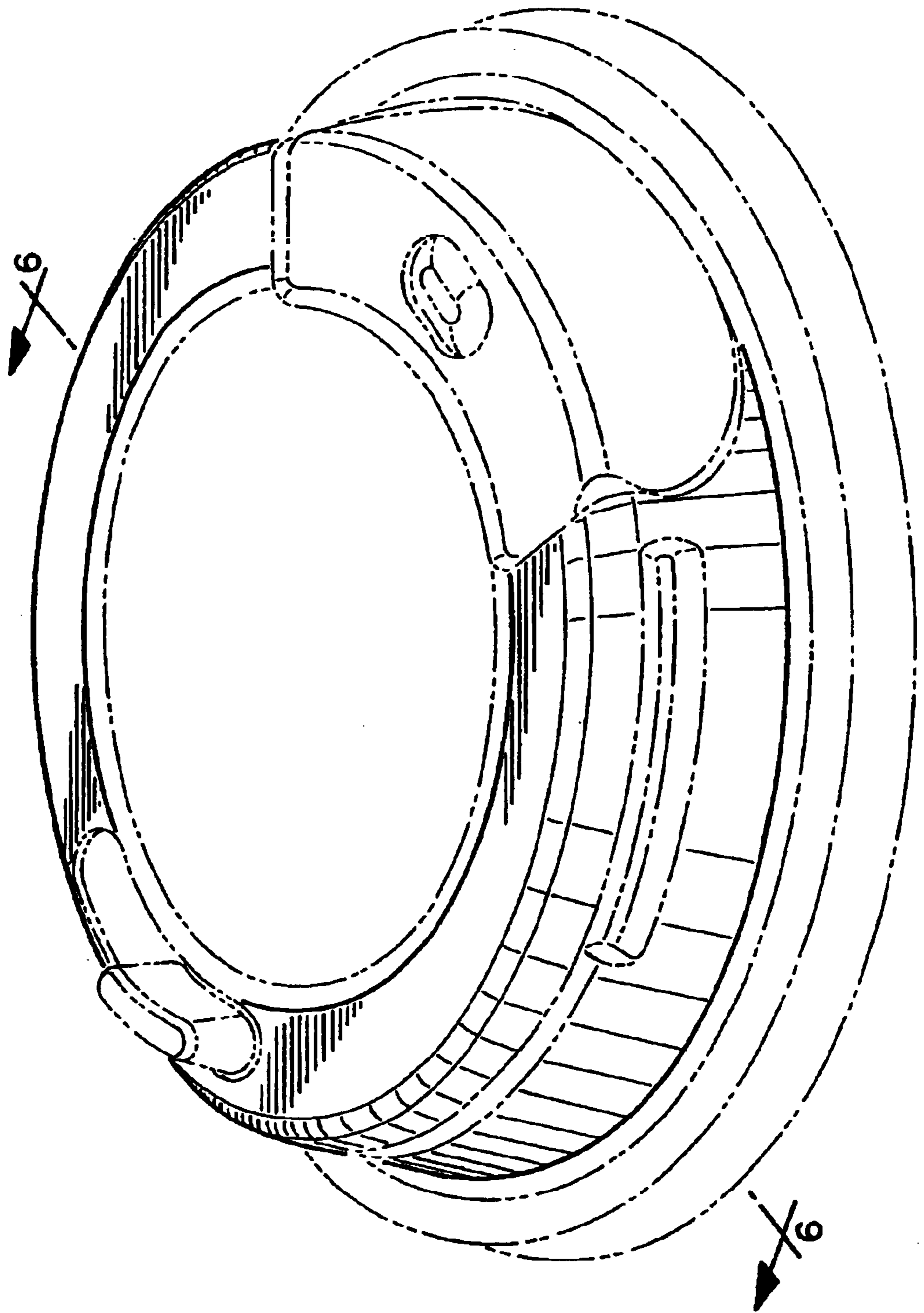


FIG. 2

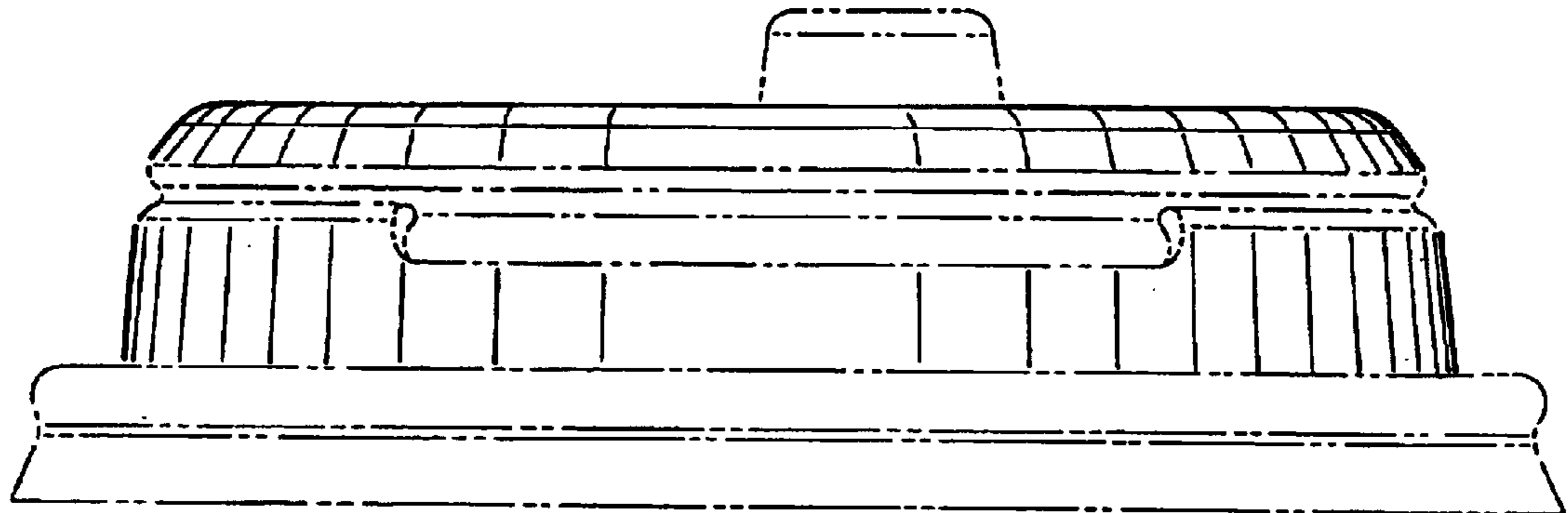


FIG. 3

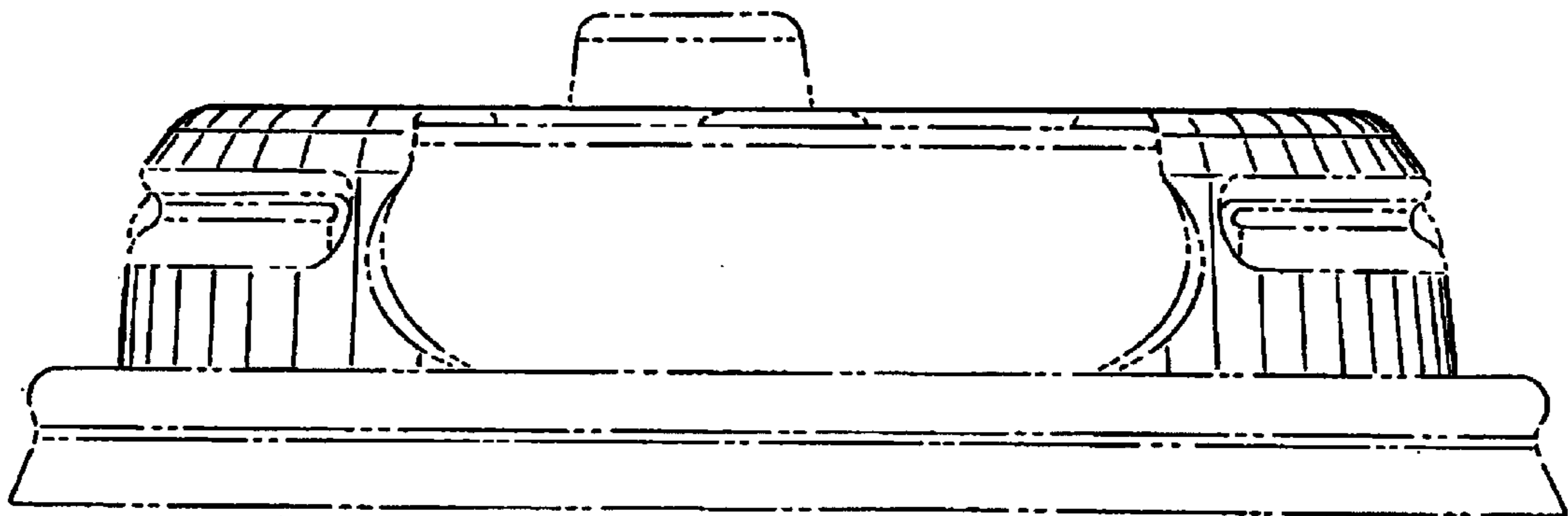


FIG. 4

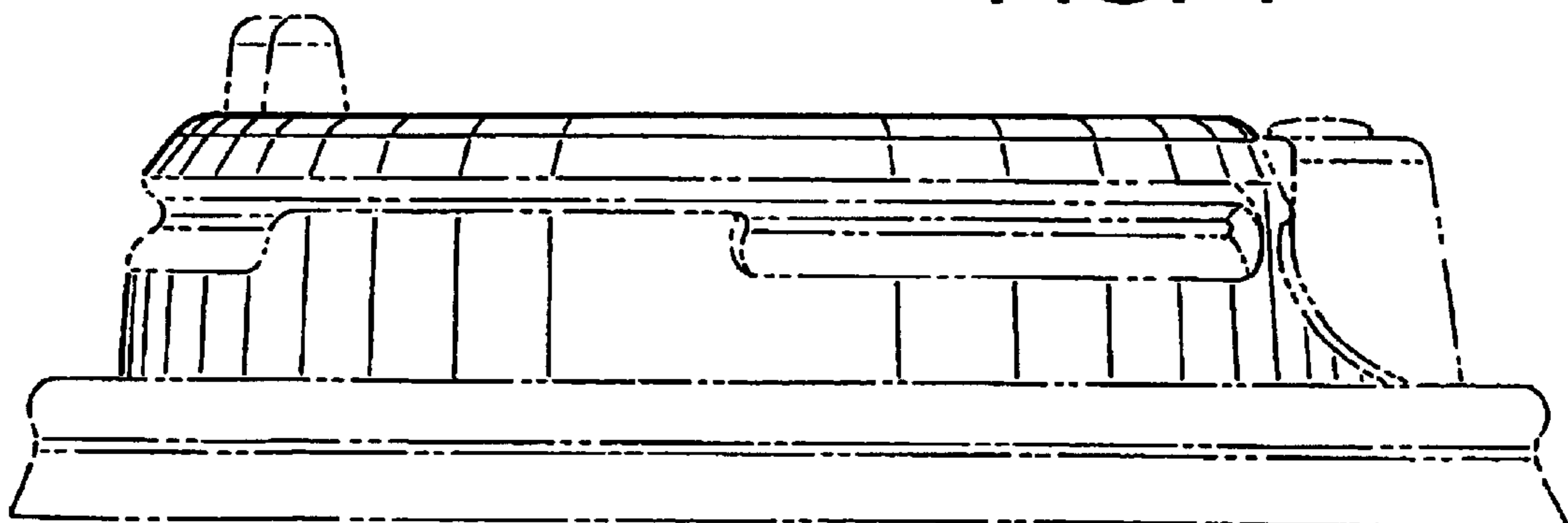


FIG. 5

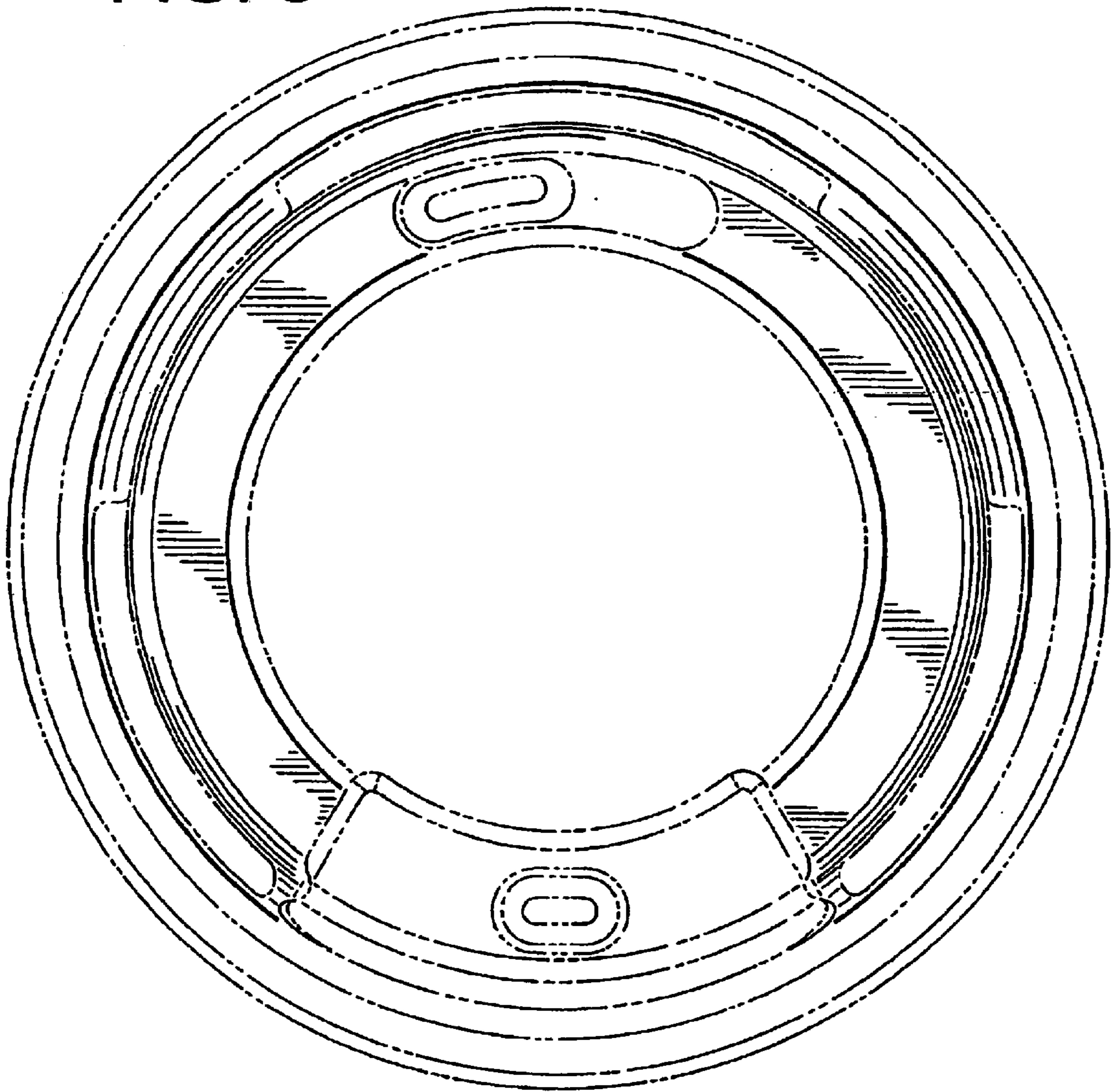
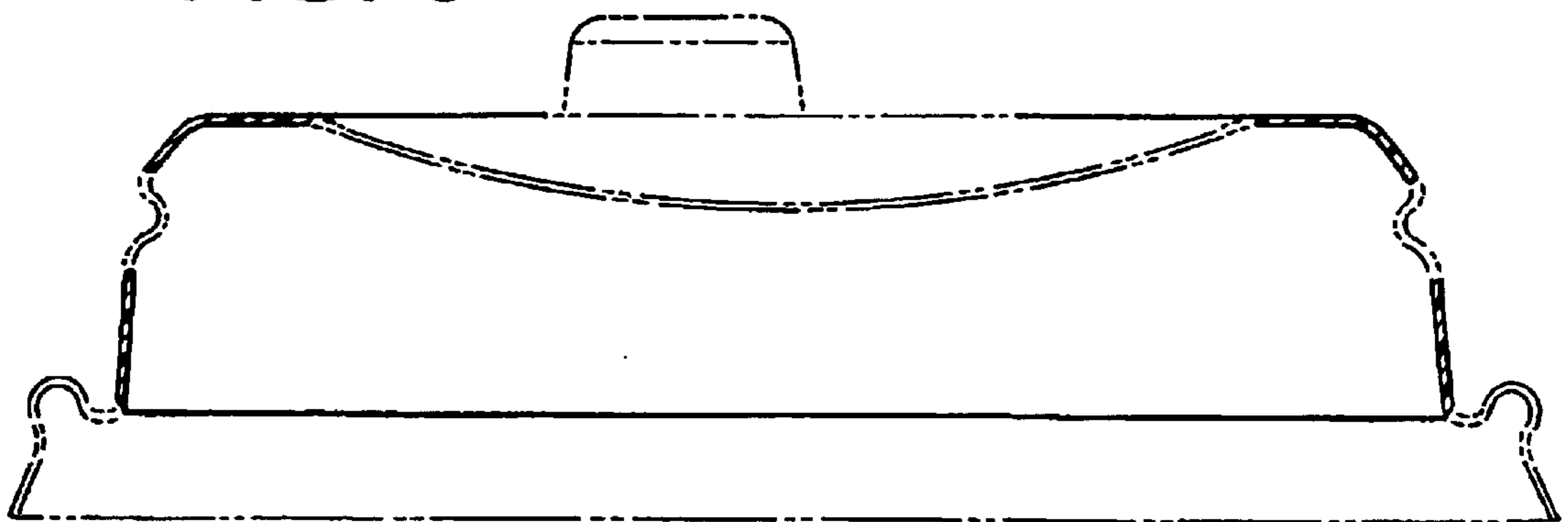


FIG. 6



UNITED STATES PATENT AND TRADEMARK OFFICE
CERTIFICATE OF CORRECTION

PATENT NO. : Des. 489,260 S
DATED : May 4, 2004
INVENTOR(S) : Stephen Alan Smith et al.

Page 1 of 4

It is certified that error appears in the above-identified patent and that said Letters Patent is hereby corrected as shown below:

Title page,

Item [56], **References Cited**, U.S. PATENT DOCUMENTS, before "D368,624 S"
insert:

- 1,237,228 8/1917 Westover -
- 1,725,393 8/1929 Cone -
- 1,896,976 2/1933 Schifferdecker -
- 2,121,554 6/1938 Thorn -
- 3,031,111 4/1962 Stull -
- 3,083,861 4/1963 Amberg et al. -
- 3,188,036 6/1965 Sprung -
- 3,193,130 7/1965 Miller -
- 3,262,612 7/1966 Tabor -
- 3,326,401 6/1967 De Long -
- 3,459,324 8/1969 Miller -
- 3,690,514 9/1972 Wilson -
- 3,805,991 4/1974 Cheladze et al. -
- 3,874,580 4/1975 Weatherhead III -
- 4,091,956 5/1978 Vecchio -
- 4,138,033 2/1979 Payne et al. -
- 4,141,461 2/1979 LaChance -
- 4,183,443 1/1980 DeParales et al. -
- 4,188,457 2/1980 Throp -
- 4,203,527 5/1980 LaChance, Sr. -
- 4,331,255 5/1982 Fournier -
- 4,333,583 6/1982 Montemarano -
- 4,345,695 8/1982 Galloway, deceased et al. -
- 4,347,946 9/1982 Nichols -
- 4,350,260 9/1982 Prueher -
- 4,361,249 11/1982 Tuneski et al. -
- 4,420,092 12/1983 Finkelstein -
- 4,441,624 4/1984 Sokolowski -
- 4,449,640 5/1984 Finkelstein -
- 4,478,346 10/1984 Spong -
- 4,503,992 3/1985 Sitko et al. -
- 4,557,398 12/1985 Hambleton et al. -
- 4,570,817 2/1986 Hambleton et al. -
- 4,579,245 4/1986 Narushko -
- 4,589,569 5/1986 Clements -
- 4,598,837 7/1986 Kreiseder et al. -
- 4,619,372 10/1986 McFarland -
- 4,629,088 12/1986 Durgin -
- 4,657,139 4/1987 Hanifl -
- 4,703,873 11/1987 Geren -
- 4,705,197 11/1987 Gordon et al. -
- 4,718,570 1/1988 Diener -
- 4,738,373 4/1988 DeParales -
- 4,741,450 5/1988 Braude -
- 4,747,511 5/1988 Dutt et al. -
- 4,770,325 9/1988 Gordon et al. -
- 4,782,975 11/1988 Coy -
- 4,790,444 12/1988 Terzi -
- 4,792,054 12/1988 Weidman -

UNITED STATES PATENT AND TRADEMARK OFFICE
CERTIFICATE OF CORRECTION

PATENT NO. : Des. 489,260 S
DATED : May 4, 2004
INVENTOR(S) : Stephen Alan Smith et al.

Page 2 of 4

It is certified that error appears in the above-identified patent and that said Letters Patent is hereby corrected as shown below:

U.S. PATENT DOCUMENTS, (cont.)

- 4,796,774 1/1989 Nabinger -
- 4,863,051 9/1989 Eibner et al. -
- 4,869,389 9/1989 Cerrone, Jr. -
- 4,898,295 2/1990 Kim -
- 4,899,902 2/1990 DeMars -
- 4,915,250 4/1990 Hayes, Jr. -
- 4,930,654 6/1990 Thibeault et al. -
- 4,932,555 6/1990 La Barge -
- 4,938,379 7/1990 Kellner -
- 4,949,865 8/1990 Turner -
- 4,953,743 9/1990 Dart et al. -
- 4,966,300 10/1990 Coonradt -
- 5,012,061 4/1991 Lesser -
- 5,058,778 10/1991 Weinstein -
- 5,111,961 5/1992 Van Melle -
- 5,148,936 9/1992 DeGrow -
- 5,167,338 12/1992 Kick -
- 5,180,073 1/1993 Fay et al. -
- 5,183,172 2/1993 Boller -
- 5,193,704 3/1993 Kick -
- 5,197,624 3/1993 Doddaro -
- 5,205,430 4/1993 Valyi -
- D346,718 5/1994 Timmermans -
- 5,395,006 3/1995 Verma -
- 5,398,843 3/1995 Warden et al. -
- 5,415,312 5/1995 Mueller -
- 5,421,472 6/1995 Beckertgis -
- 5,449,085 9/1985 Brun, Jr. -
- 5,485,938 1/1996 Boersma -
- 5,490,609 2/1996 Lane et al. -
- 5,495,941 3/1996 Leonard -
- 5,497,920 3/1996 Moeller et al. -
- 5,503,289 4/1996 Fox -
- 5,503,662 4/1996 Berger -

UNITED STATES PATENT AND TRADEMARK OFFICE
CERTIFICATE OF CORRECTION

PATENT NO. : Des. 489,260 S
DATED : May 4, 2004
INVENTOR(S) : Stephen Alan Smith et al.

Page 3 of 4

It is certified that error appears in the above-identified patent and that said Letters Patent is hereby corrected as shown below:

U.S. PATENT DOCUMENTS, (cont.)

after "D368,624 S" insert:

- 5,588,561 12/1996 Ness -
- 5,613,619 3/1997 Van Melle -
- 5,699,927 12/1997 Lane et al. -
- 5,706,972 1/1998 Sousa -
- 5,718,353 2/1998 Kanfer et al. -
- 5,727,707 3/1998 Wickland et al. -
- 5,766,660 6/1998 Lee et al. -
- 5,775,205 9/1998 Melton -
- 5,839,601 11/1998 Van Melle -

before "D402,556 S" insert:

- 5,866,184 2/1999 Gorlich et al. -
- 5,873,298 2/1999 Chang -
- 5,913,964 6/1999 Melton -
- 5,984,127 11/1999 Fenton -
- 5,996,837 12/1999 Freek et al. -
- 5,947,319 9/1999 Sinski -
- 5,947,323 9/1999 Freek et al. -
- 5,954,241 9/1999 Huang -
- 5,979,689 11/1999 Lansky -
- 6,003,711 12/1999 Bilewitz -
- 6,003,721 12/1999 Fleming -
- 6,010,029 1/2000 Wang -
- 6,089,397 7/2000 Van Melle -
- 6,095,033 8/2000 Melton -

after "6,374,726 B1" insert:

- 6,199,711 3/2001 Lansky -
- 6,176,384 1/2001 Voloshin -
- 6,216,904 4/2001 Cagan -
- 6,220,470 4/2001 McHenry et al. -
- 6,305,571 10/2001 Chu -
- 6,578,726 6/2003 Schaefer -

UNITED STATES PATENT AND TRADEMARK OFFICE
CERTIFICATE OF CORRECTION

PATENT NO. : Des. 489,260 S
DATED : May 4, 2004
INVENTOR(S) : Stephen Alan Smith et al.

Page 4 of 4

It is certified that error appears in the above-identified patent and that said Letters Patent is hereby corrected as shown below:

FOREIGN PATENT DOCUMENTS,
insert:


- 393 955 11/1965 Switzerland -
- 1 600 917 10/1981 Great Britain -
- 0 383 442 A1 8/1990 EP -
- 295 02 654 8/1995 Germany -
- 07-390379 11/1995 Japan -
- WO 99 47429 9/1999 PCT -
- 2000-159254 6/2000 Japan -
- WO 00 51908 9/2000 PCT -

FOREIGN PATENT DOCUMENTS,
insert:

- BERRINGTON, N., *International Search Report*, September 4, 2002, 6 pp., Patent Cooperation Treaty, Rijswijk, Netherlands. -
- Copy of photograph of HotJo Ceramic Mug/Lid obtained through market research, April 2000. -
- Copy of photograph of Starbucks Cup/Lid obtained through market research, April 2000. -
- Copy of photograph of Super America Cup/Lid obtained through market research, April 2000. -
- Copy of photograph of Dunkin Donuts Cup/Lid obtained through market research, April 2000. -
- Copies of seven (7) photographs showing different views of Whirley Thermo Mug/Lid obtained in early 2003. -

Signed and Sealed this

Tenth Day of May, 2005



JON W. DUDAS

Director of the United States Patent and Trademark Office