



US00D489256S

(12) **United States Design Patent**  
**Kelleghan**

(10) **Patent No.:** **US D489,256 S**

(45) **Date of Patent:** **\*\* May 4, 2004**

(54) **MOUSE HEAD BOTTLE HOLDER**

(75) Inventor: **Brian James Kelleghan**, Longmont,  
CO (US)

(73) Assignee: **Bison Designs, L.L.C.**, Longmont, CO  
(US)

(\*\*) Term: **14 Years**

(21) Appl. No.: **29/188,894**

(22) Filed: **Aug. 26, 2003**

**Related U.S. Application Data**

(62) Division of application No. 29/173,797, filed on Jan. 7,  
2003.

(51) **LOC (7) Cl.** ..... **09-07**

(52) **U.S. Cl.** ..... **D9/434; D9/455; D9/499;**  
**D3/229**

(58) **Field of Search** ..... **D9/434, 455, 499,**  
**D9/501, 517; D11/221; D7/619, 620; D8/394,**  
**395; D3/229, 215; 215/395; 224/148.5,**  
**25; 24/3.6, 3.7; 294/31.2, 137**

(56) **References Cited**

**U.S. PATENT DOCUMENTS**

D200,957 S	*	4/1965	Warren et al.	.....	D11/221
D347,734 S	*	6/1994	Patterson et al.	.....	D3/229
5,806,904 A	*	9/1998	Smith	.....	294/31.2
5,890,635 A	*	4/1999	Wu et al.	.....	224/148.4
D431,466 S	*	10/2000	Wang	.....	D9/434

\* cited by examiner

*Primary Examiner*—Louis S. Zarfaz

*Assistant Examiner*—Gregory Andoll

(74) *Attorney, Agent, or Firm*—Margaret Polson; Patent  
Law Offices of Rick Martin, P.C.

(57) **CLAIM**

The ornamental design for a mouse head bottle holder, as  
shown and described.

**DESCRIPTION**

FIG. 1 is a plan view of the top and bottom sides, which are  
identical, of my new design for a mouse head bottle holder  
attached to a carabiner shown in dotted lines which is for  
illustrative purposes only and is not part of the claimed  
design;

FIG. 2 is a side elevation view of the right and left sides,  
which are identical, of FIG. 1;

FIG. 3 is a rear side elevation view of FIG. 1;

FIG. 4 is a front side elevation view of FIG. 1;

FIG. 5 is a top perspective view of FIG. 1 with a bottle and  
carabiner shown in dotted lines attached, which is for  
illustrative purposes only and are not part of the claimed  
design;

FIG. 6 is a plan view of the top and bottom sides, which are  
identical, of an alternate embodiment of my new design for  
a mouse head bottle holder attached to a carabiner shown in  
dotted lines which is for illustrative purposes only and is not  
part of the claimed design;

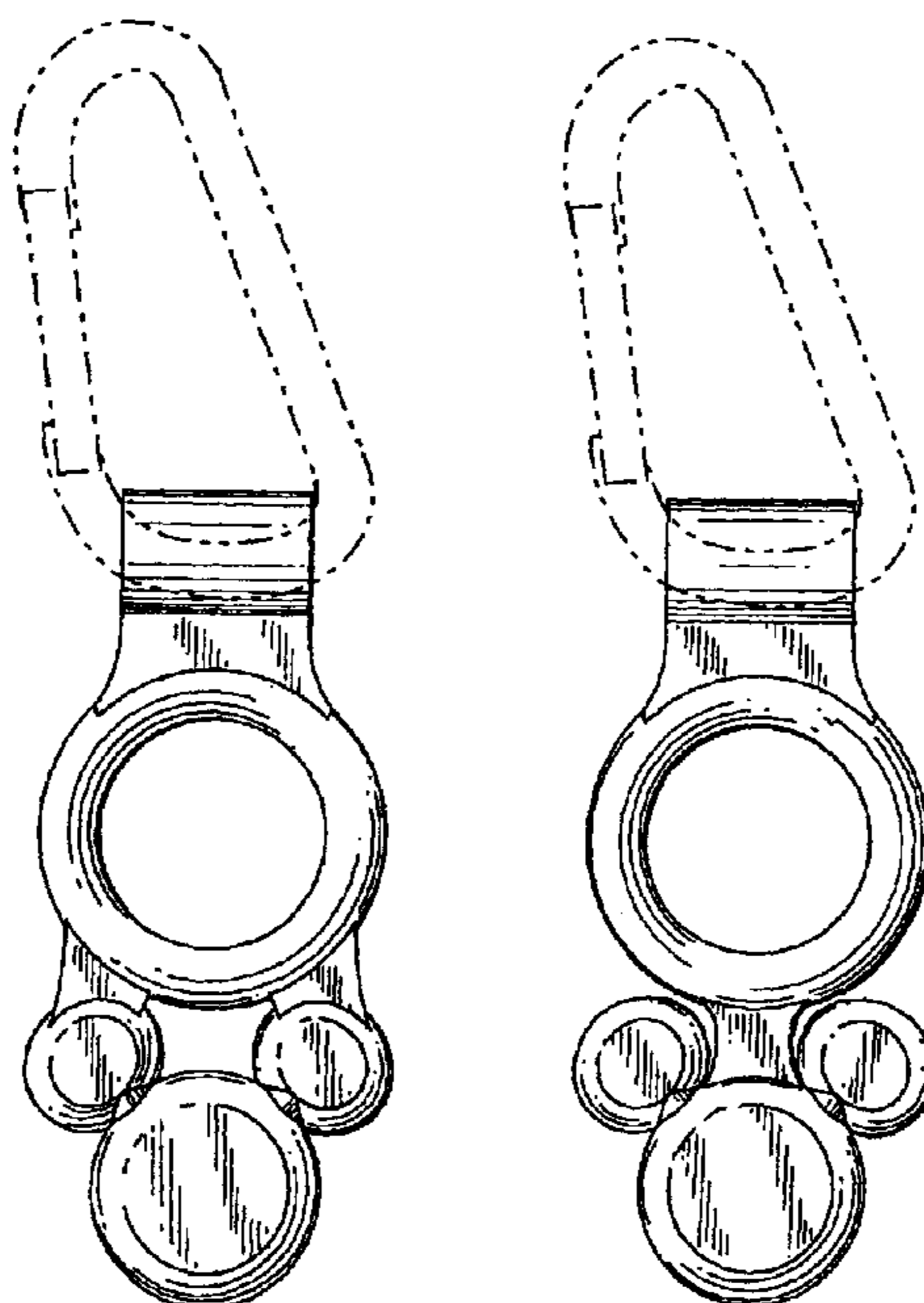
FIG. 7 is side elevation view of the right and left sides,  
which are identical, of FIG. 6;

FIG. 8 is a rear side elevation view of FIG. 6;

FIG. 9 is a front side elevation view of FIG. 6; and,

FIG. 10 is a top perspective view of FIG. 6 with a bottle and  
carabiner shown in dotted lines attached, which is for  
illustrative purposes only and are not part of the claimed  
design.

**1 Claim, 2 Drawing Sheets**



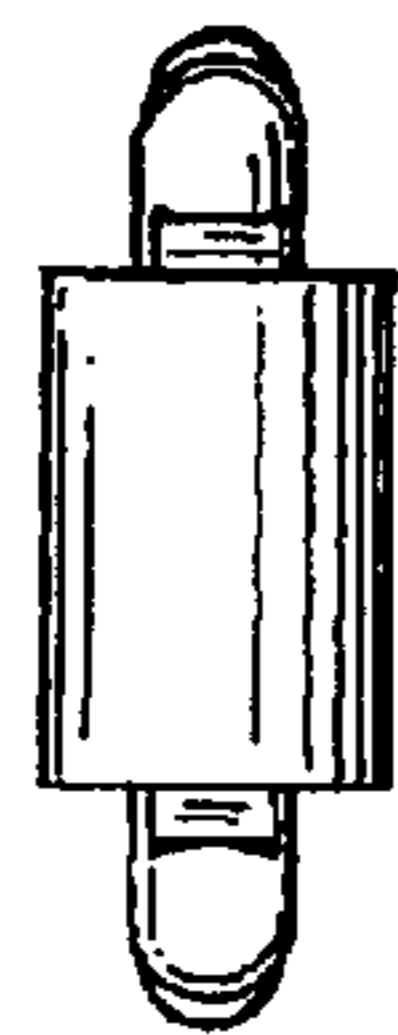


FIG. 3

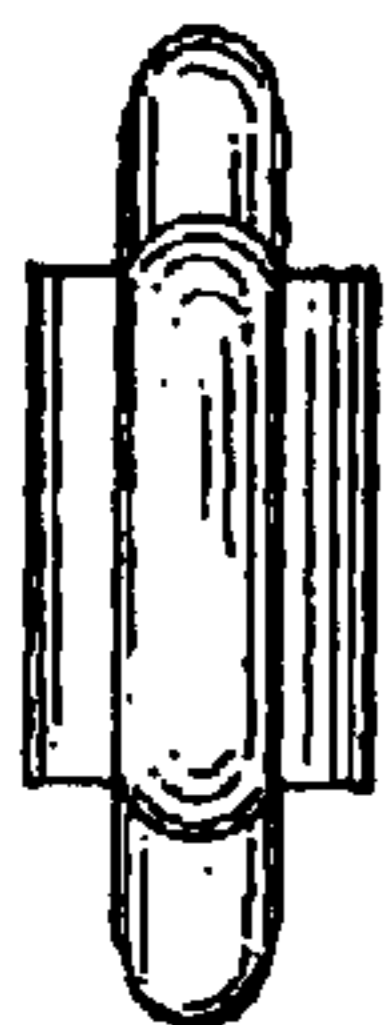


FIG. 4

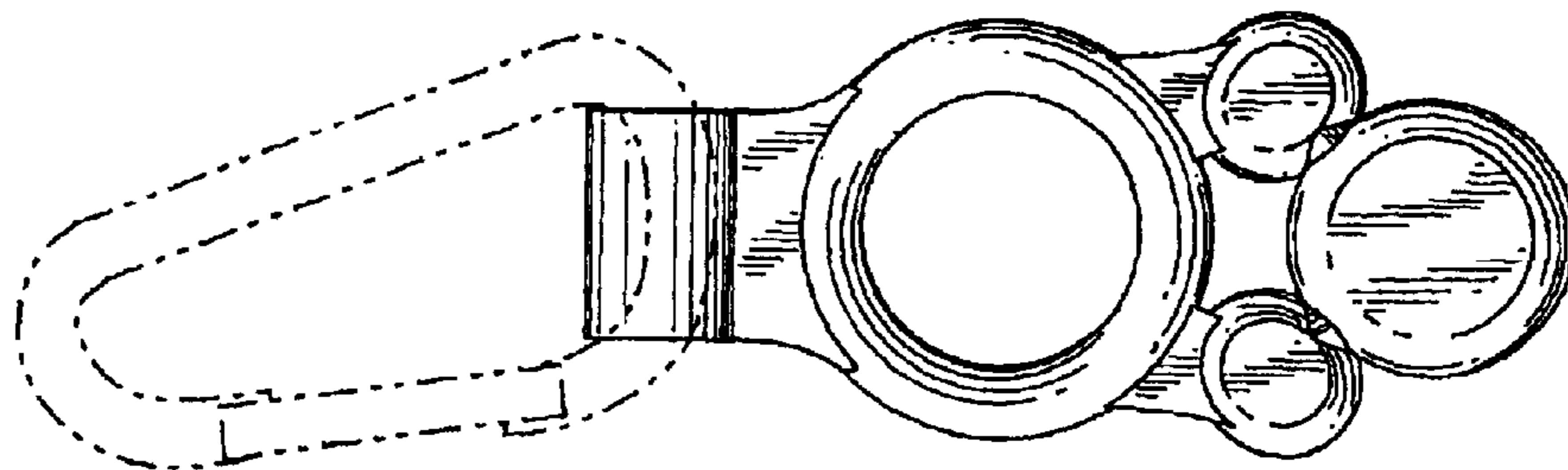


FIG. 1



FIG. 2

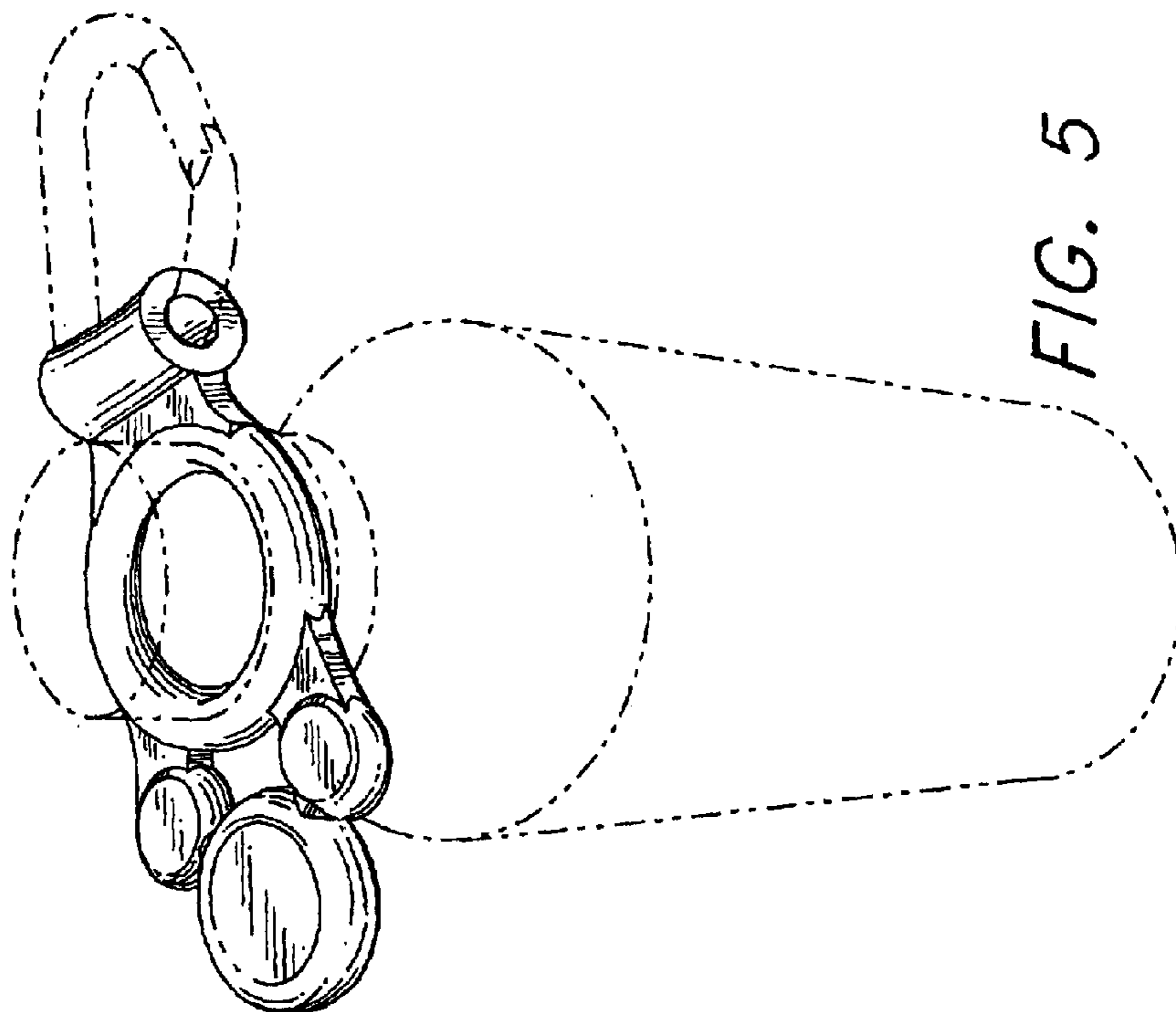


FIG. 5

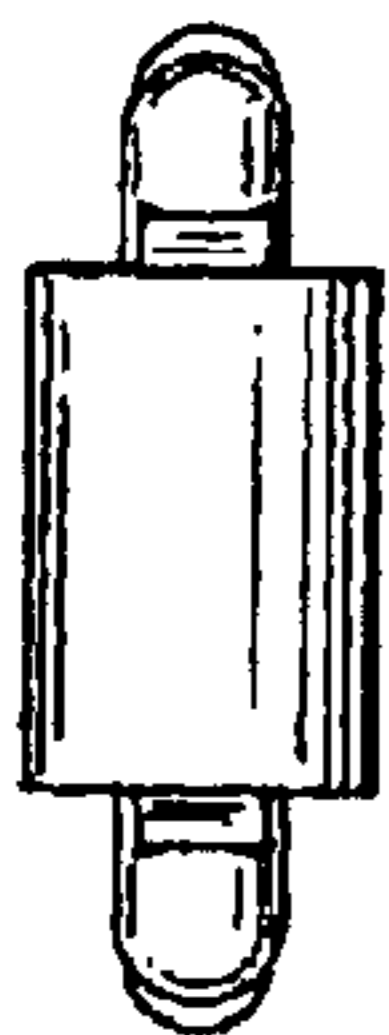


FIG. 8



FIG. 9

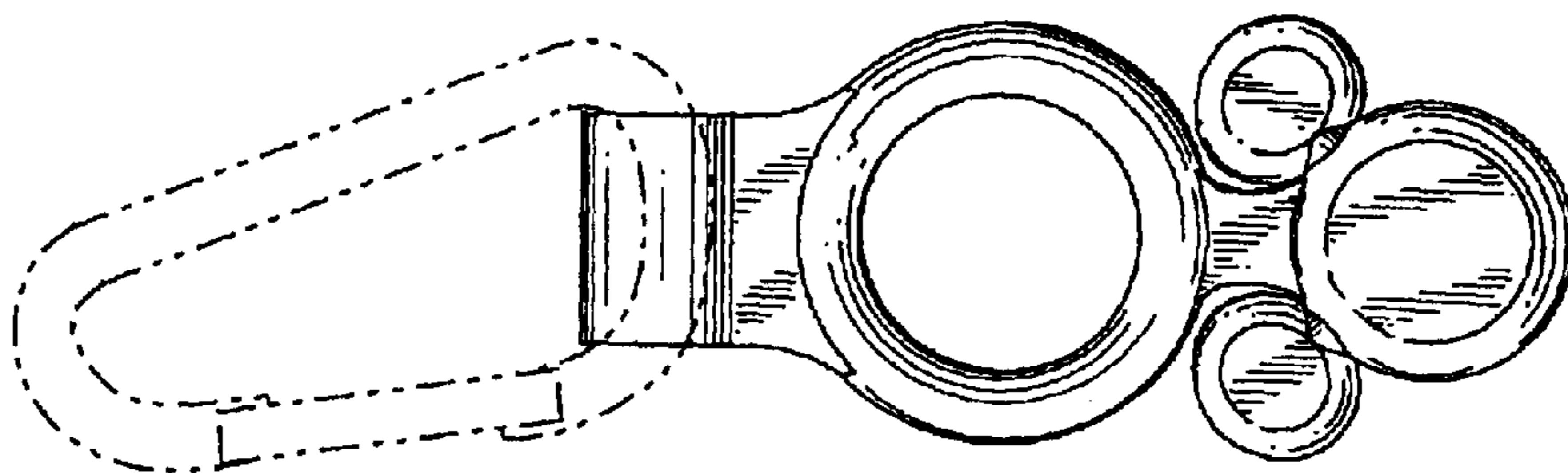


FIG. 6

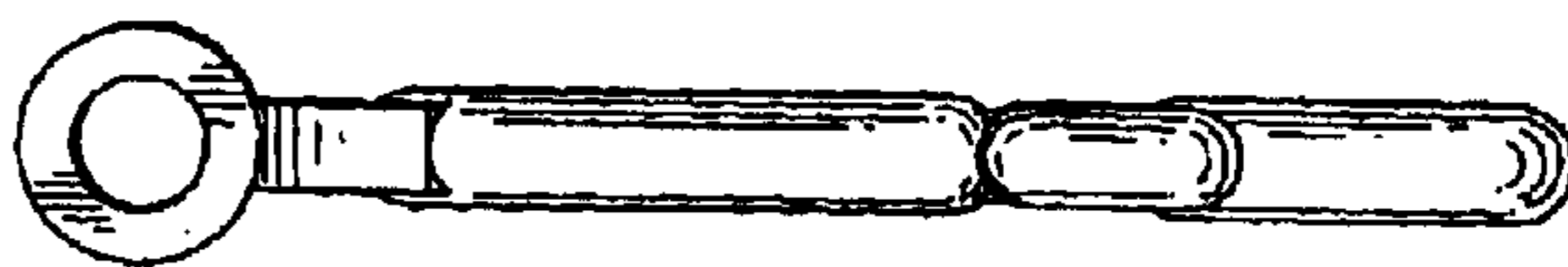


FIG. 7

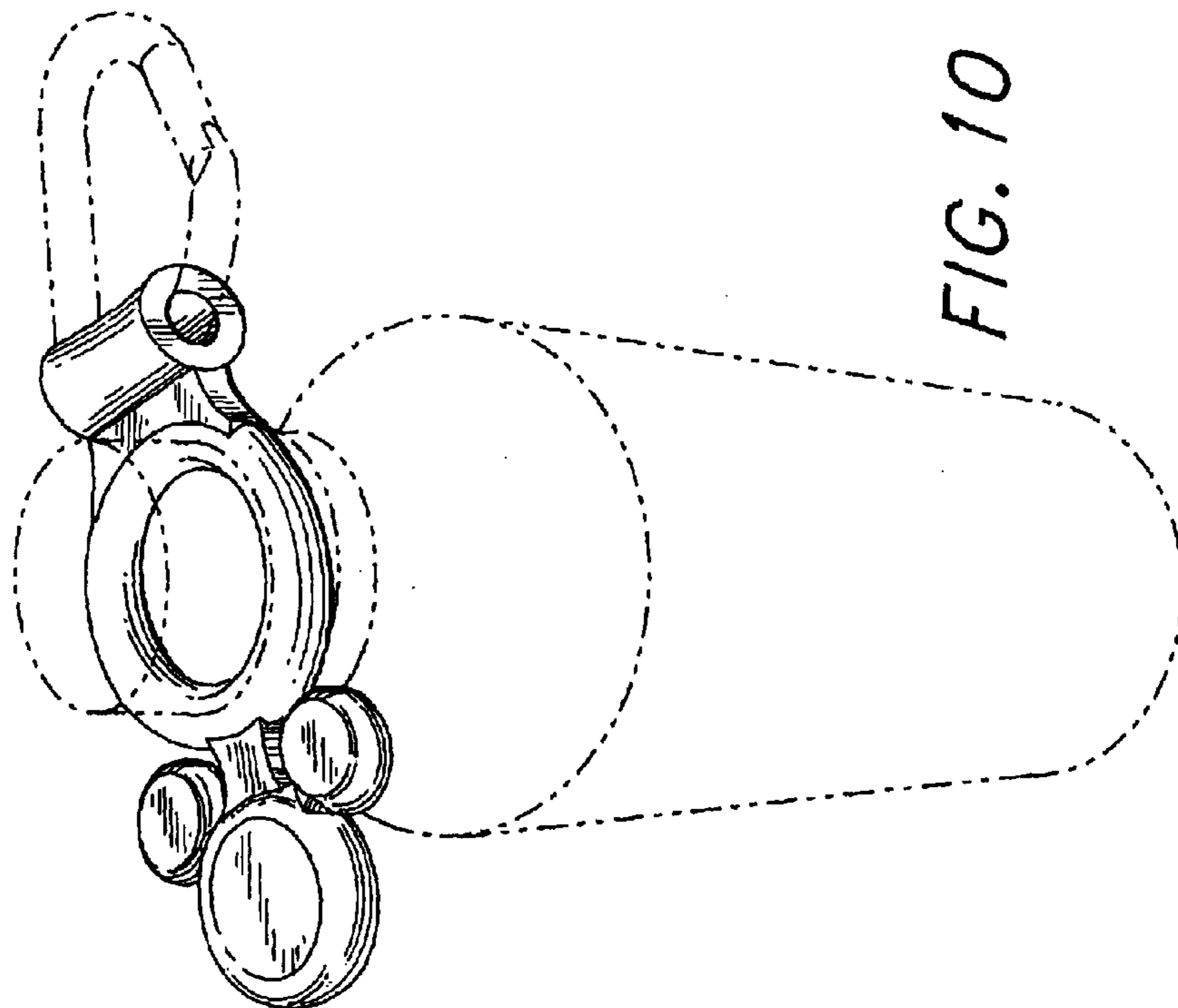


FIG. 10