



US00D489255S

(12) **United States Design Patent**  
**Kratzert et al.**

(10) **Patent No.:** **US D489,255 S**

(45) **Date of Patent:** **\*\* May 4, 2004**

(54) **COLLECTING FOLDER**

(75) Inventors: **Herbert Kratzert**,  
Pfullendorf-Denkingen (DE); **Heike Schnabel**,  
Mutlangen (DE); **Markus Schneider**,  
Mutlangen (DE)

(73) Assignee: **dataplus GmbH Kratzert & Schrem**,  
Pfullendorf (DE)

(\*\*) Term: **14 Years**

(21) Appl. No.: **29/162,845**

(22) Filed: **Jun. 24, 2002**

(30) **Foreign Application Priority Data**

Dec. 24, 2001 (WO) ..... DM/058 456

(51) **LOC (7) Cl.** ..... **09-03**

(52) **U.S. Cl.** ..... **D9/433; D9/432**

(58) **Field of Search** ..... D9/414, 415, 418,  
D9/430, 432, 433, 499; 206/476, 494, 527,  
557, 784; 200/62, 890; 229/100, 102, 108,  
122, 190

(56) **References Cited**

**U.S. PATENT DOCUMENTS**

- 581,339 A \* 4/1897 Corkhill, Jr.
- 666,732 A \* 1/1901 Bertin
- D35,615 S \* 1/1902 Stecher
- 1,755,375 A \* 4/1930 Tanner

**FOREIGN PATENT DOCUMENTS**

- CH 401001 4/1966
- CH 551879 6/1974
- DE 3803037.7 4/1988
- DE 8803355.4 6/1988

DE	20008972	8/2000
DE	20008973	8/2000
DK	DM/046 480	12/1998
EP	0455063	2/1995
EP	0220874	5/1999
FR	2644396	9/1990

\* cited by examiner

*Primary Examiner*—Ted Shooman

*Assistant Examiner*—Daniel Bui

(74) *Attorney, Agent, or Firm*—Crowell & Moring LLP

(57) **CLAIM**

The ornamental design for a collecting folder, as shown and described.

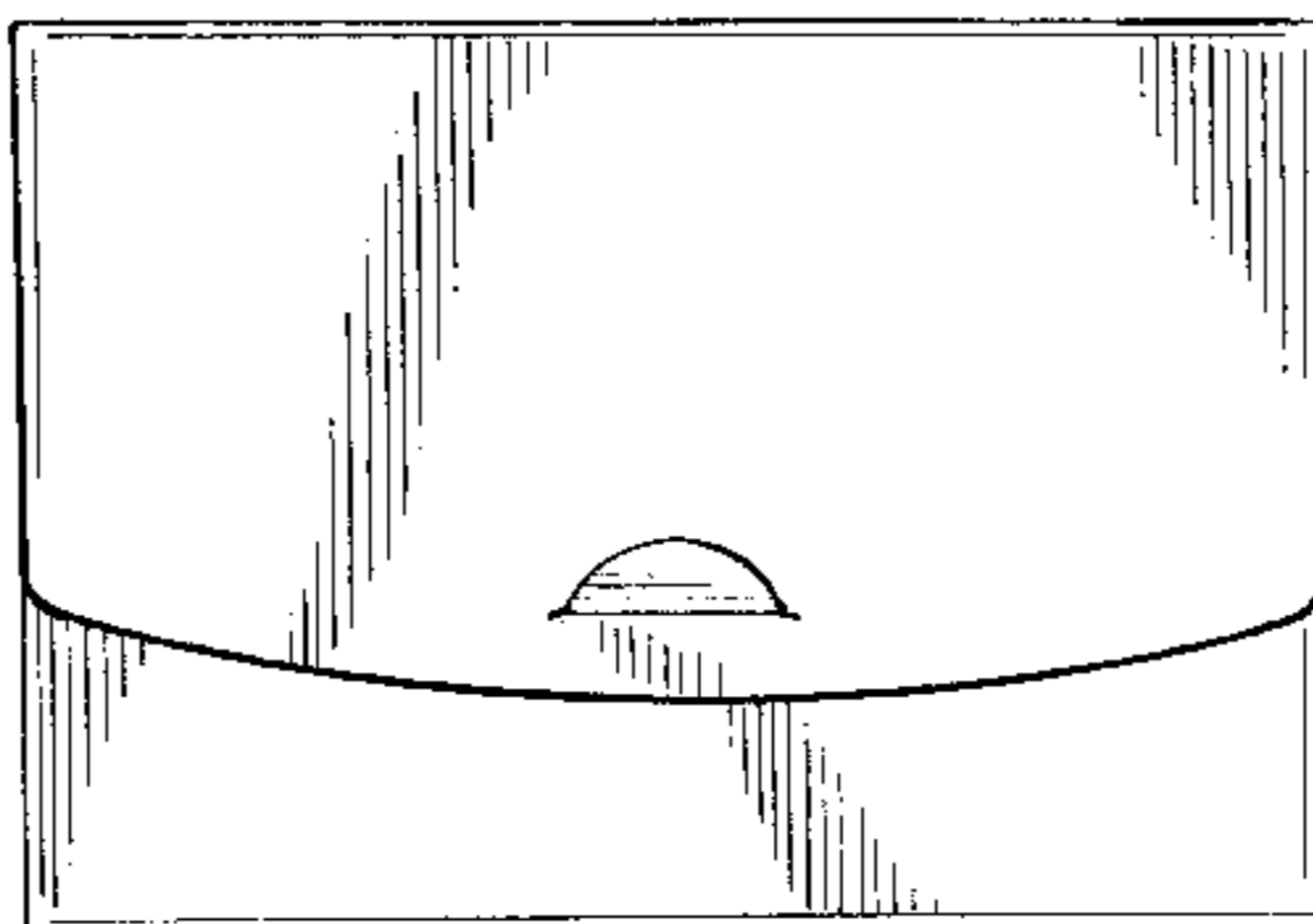
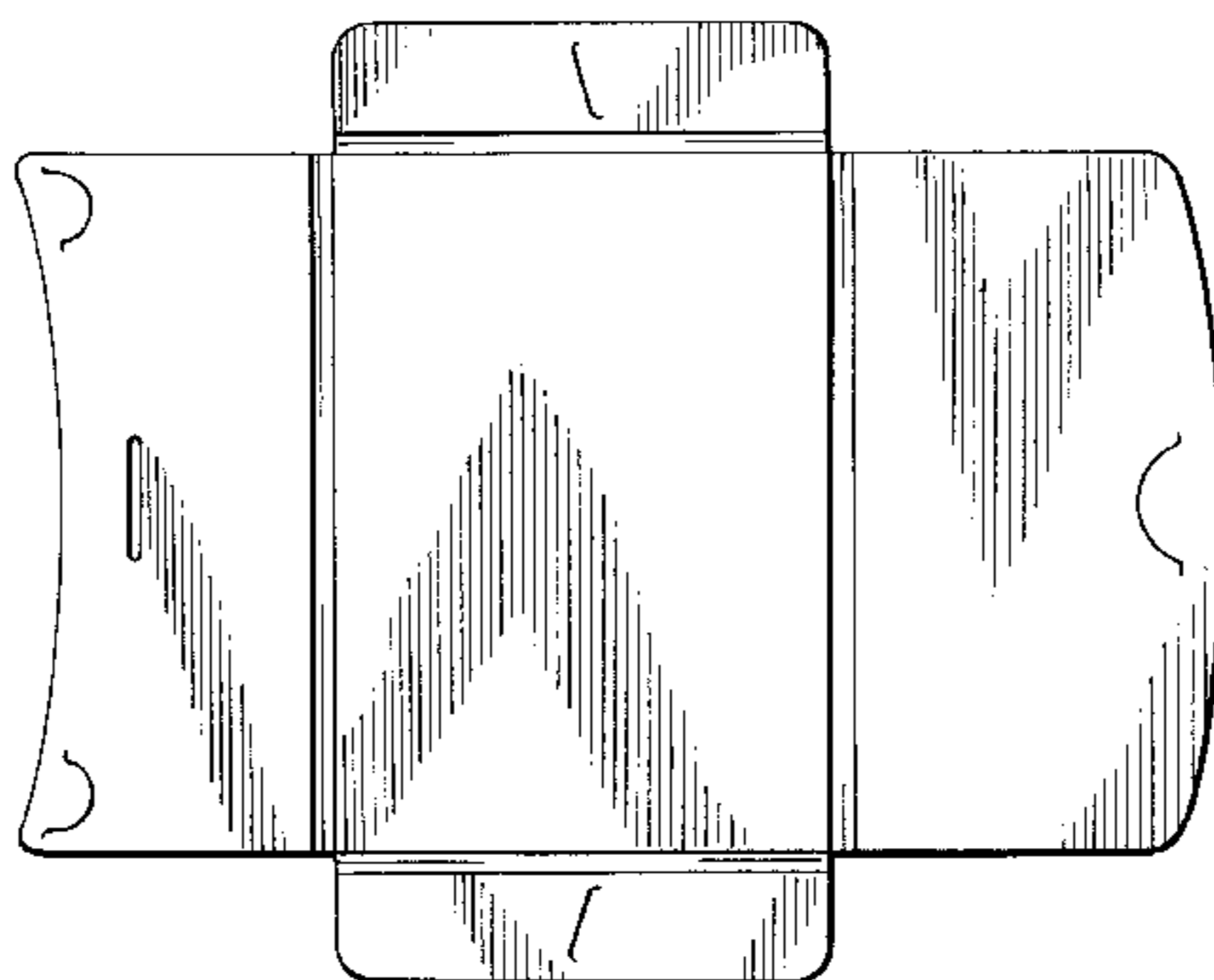
**DESCRIPTION**

FIG. 1: is a top plan view of a first folder embodiment showing our new design in unfolded condition, the folder being adapted to collect paper sheets up to a height of about 3 mm and having three side parts foldably connected to a back part for forming a paper sheet collecting bag in a folded condition, and a fourth side part foldably connected to the back part for closing the collecting bag.

FIGS. 2 to 4: top plan views of a second, third and fourth folder embodiment showing our new design in unfolded condition, these folder embodiments substantially corresponding to the first embodiment of FIG. 1, while being adapted to collect paper sheets up to a height of about 6 mm, 10 mm, and 20 mm, respectively; and,

FIG. 5: is a top plan view of any of the first to fourth folder embodiments of FIGS. 1 to 3 in folded, closed condition, in which the bag forming side parts are connected by the engagement of cutouts with a respective insertion slot and the back-closing front part being connected to the opposite side part also by a cutout with an insertion slot.

**1 Claim, 3 Drawing Sheets**



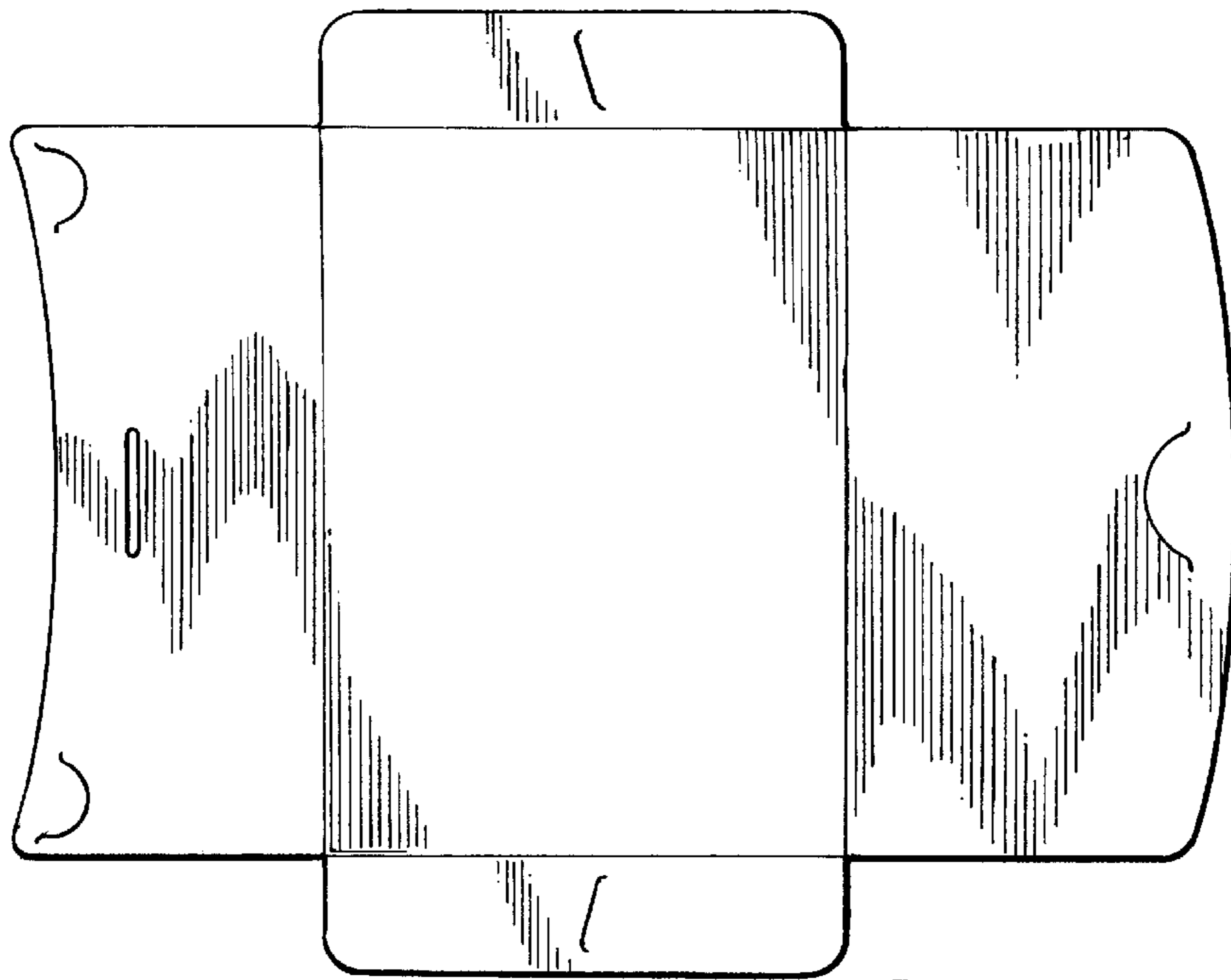


Fig. 1

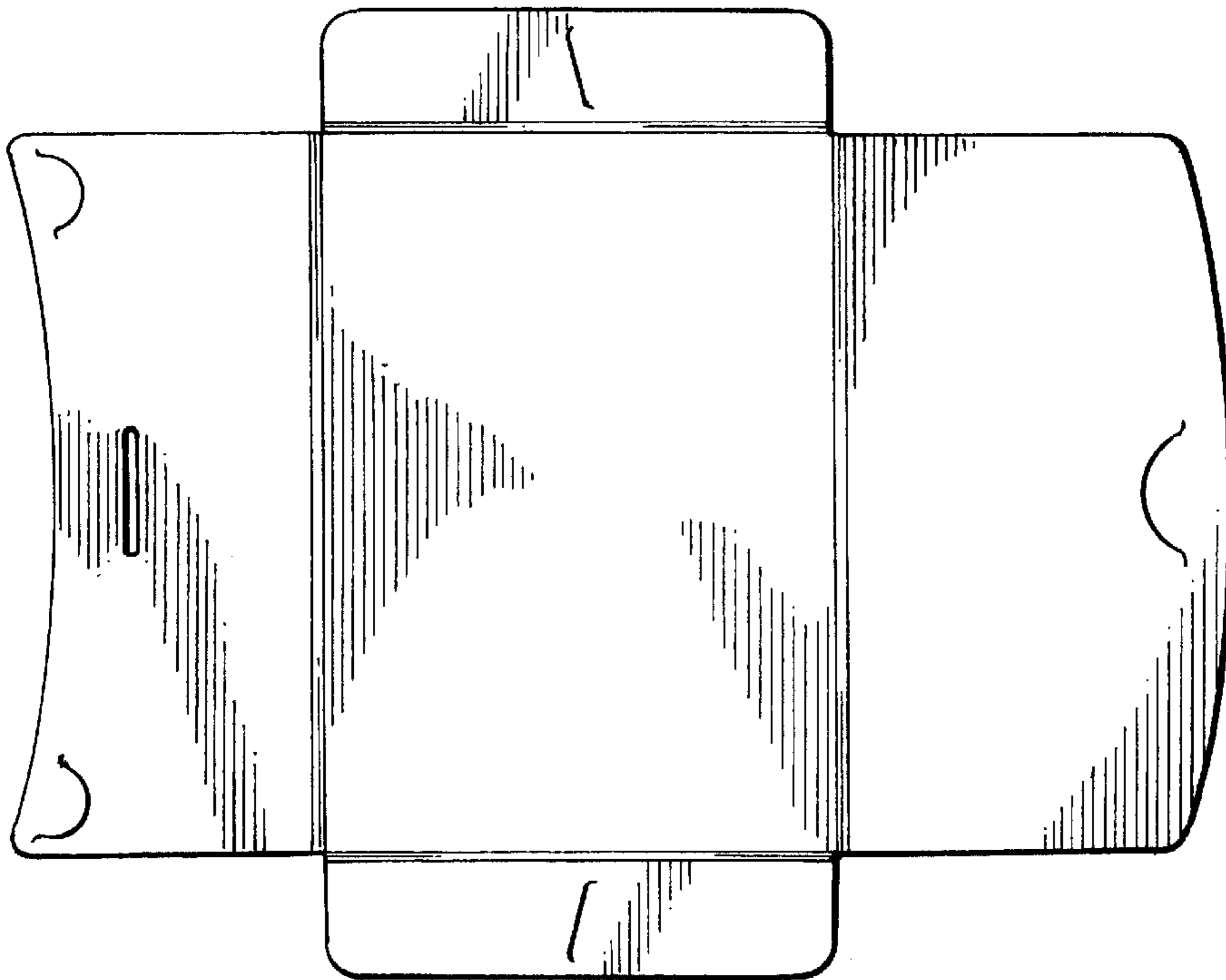


Fig. 2

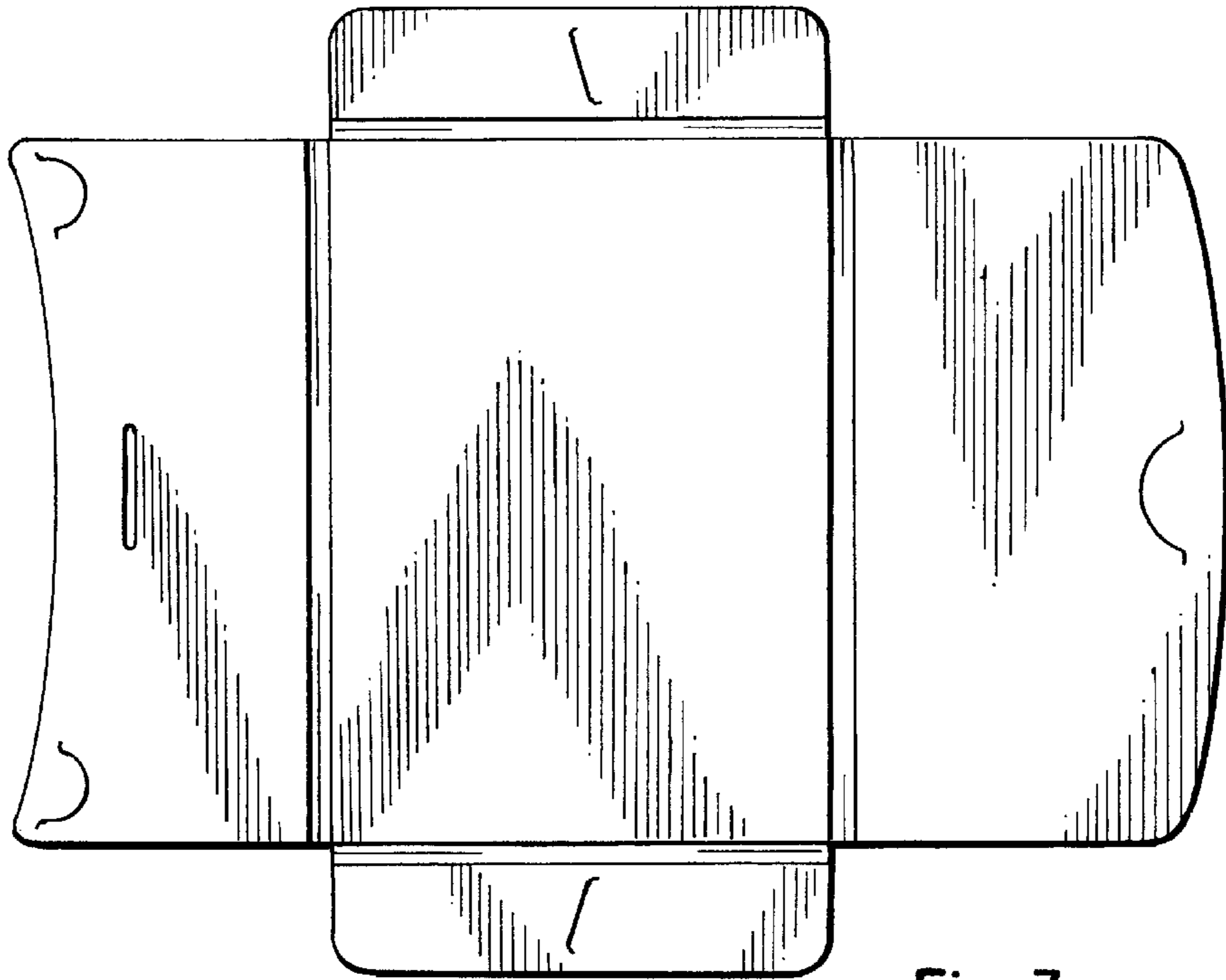


Fig. 3

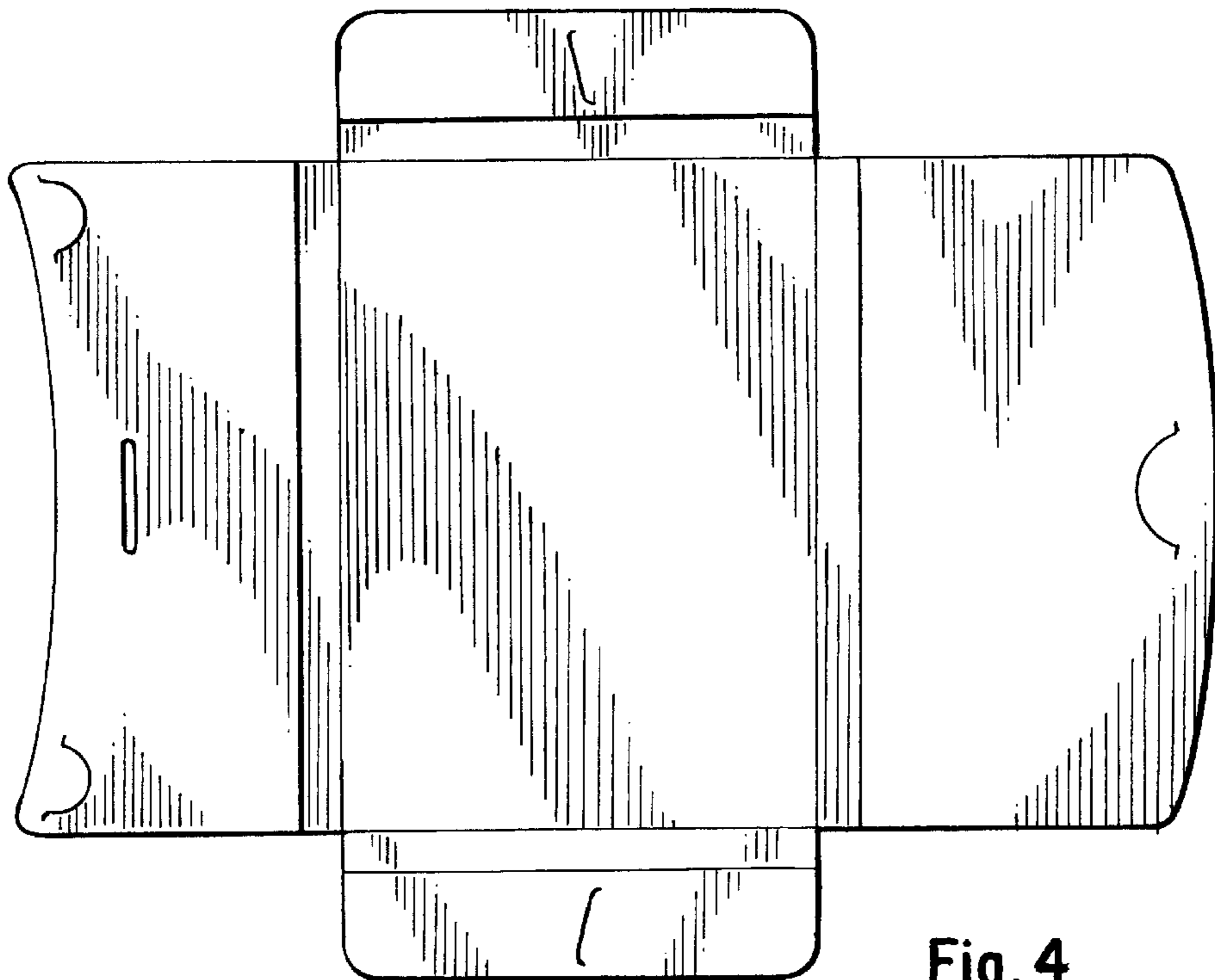


Fig. 4

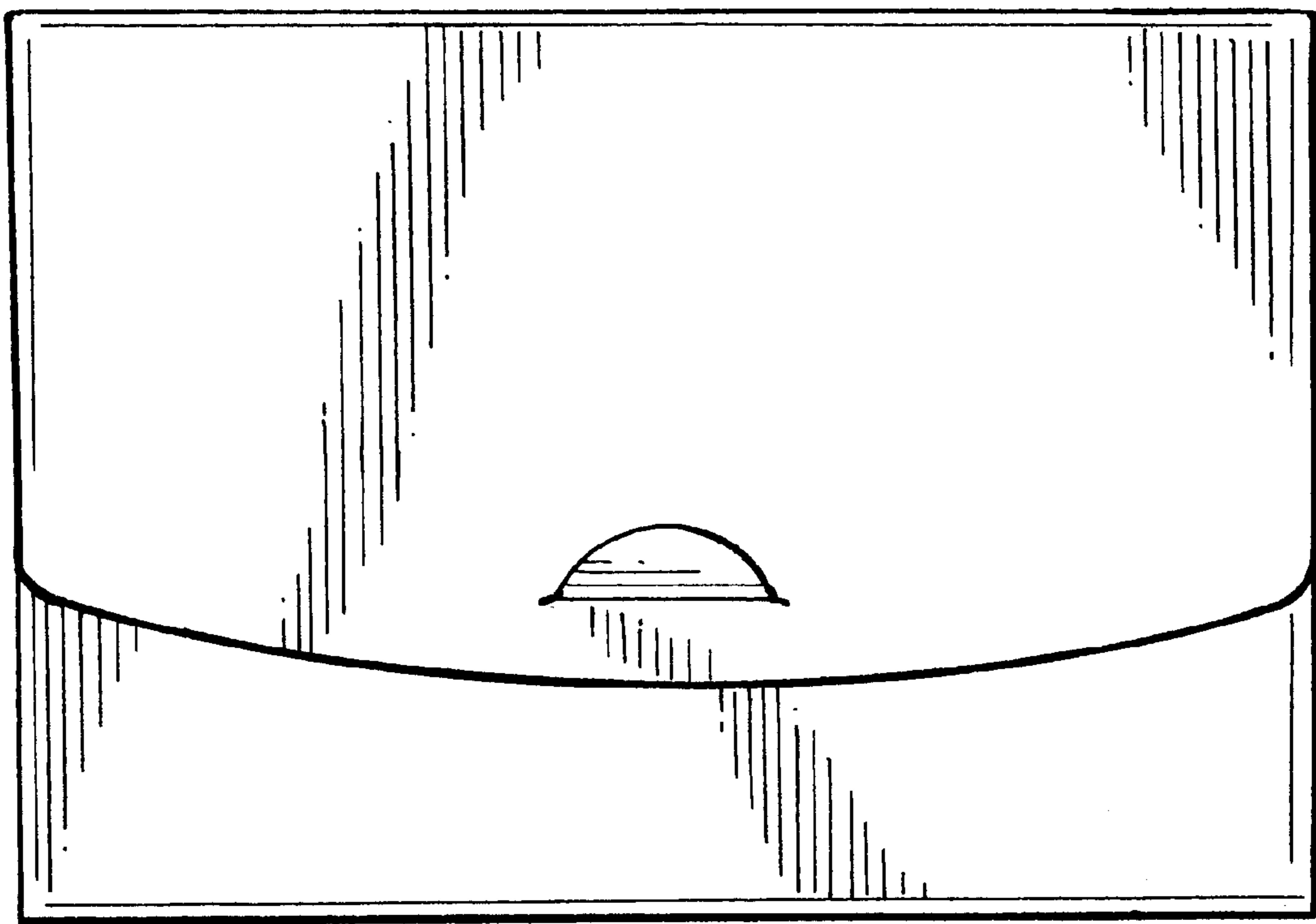


Fig. 5