



US00D489251S

(12) **United States Design Patent** (10) **Patent No.:** **US D489,251 S**  
**Ay** (45) **Date of Patent:** **\*\* May 4, 2004**

(54) **HANGING APPARATUS**

6,478,272 B1 11/2002 McKinsey

(76) Inventor: **Charles Ay**, 19481 Jasper Hill Rd.,  
Trabuco Canyon, CA (US) 92679

\* cited by examiner

(\*\*) Term: **14 Years**

*Primary Examiner*—Holly Baynham

(74) *Attorney, Agent, or Firm*—David M. Kleiman

(21) Appl. No.: **29/186,709**

(57) **CLAIM**

(22) Filed: **Jul. 21, 2003**

I claim the ornamental design for the hanging apparatus, as shown and described.

(51) **LOC (7) Cl.** ..... **08-05**

**DESCRIPTION**

(52) **U.S. Cl.** ..... **D8/367**

(58) **Field of Search** ..... D8/363, 355, 367,  
D8/373, 372, 323, 324; 211/104, 1.3

FIG. 1 is a perspective view of the design for a hanging apparatus showing the hanging member extended outwards from the body.

(56) **References Cited**

FIG. 2 is a side view of the left side of the hanging apparatus of FIG. 1 with the hanging member extended outwards from the body.

**U.S. PATENT DOCUMENTS**

561,664 A	6/1896	Hollister	
1,342,626 A	6/1920	Frank	
3,746,294 A	7/1973	Johnston	
3,785,604 A	1/1974	Steck	
3,941,250 A *	3/1976	Ott	211/1.3
4,113,057 A	9/1978	Bessinger	
4,409,907 A	10/1983	Norton	
4,744,537 A	5/1988	Buckley	
4,830,143 A	5/1989	Fisher	
5,301,911 A	4/1994	Beauchemin	
5,310,151 A	5/1994	Engel	
5,409,083 A	4/1995	Thompson	
5,427,344 A	6/1995	Beauchemin	
5,562,180 A	10/1996	Herzog	
D385,480 S *	10/1997	Mayo	D8/372
5,727,760 A	3/1998	Wytovak	
6,065,722 A	5/2000	LeVasseur	
6,095,469 A	8/2000	Von Alman	
6,196,511 B1	3/2001	Beauchemin	
6,397,435 B1	6/2002	Gosselet	

FIG. 3 is a rear elevation view of the hanging apparatus of FIG. 1 with the hanging member extended outwards from the body.

FIG. 4 is a front elevation view of the hanging apparatus of FIG. 1 with the hanging member extended outwards from the body.

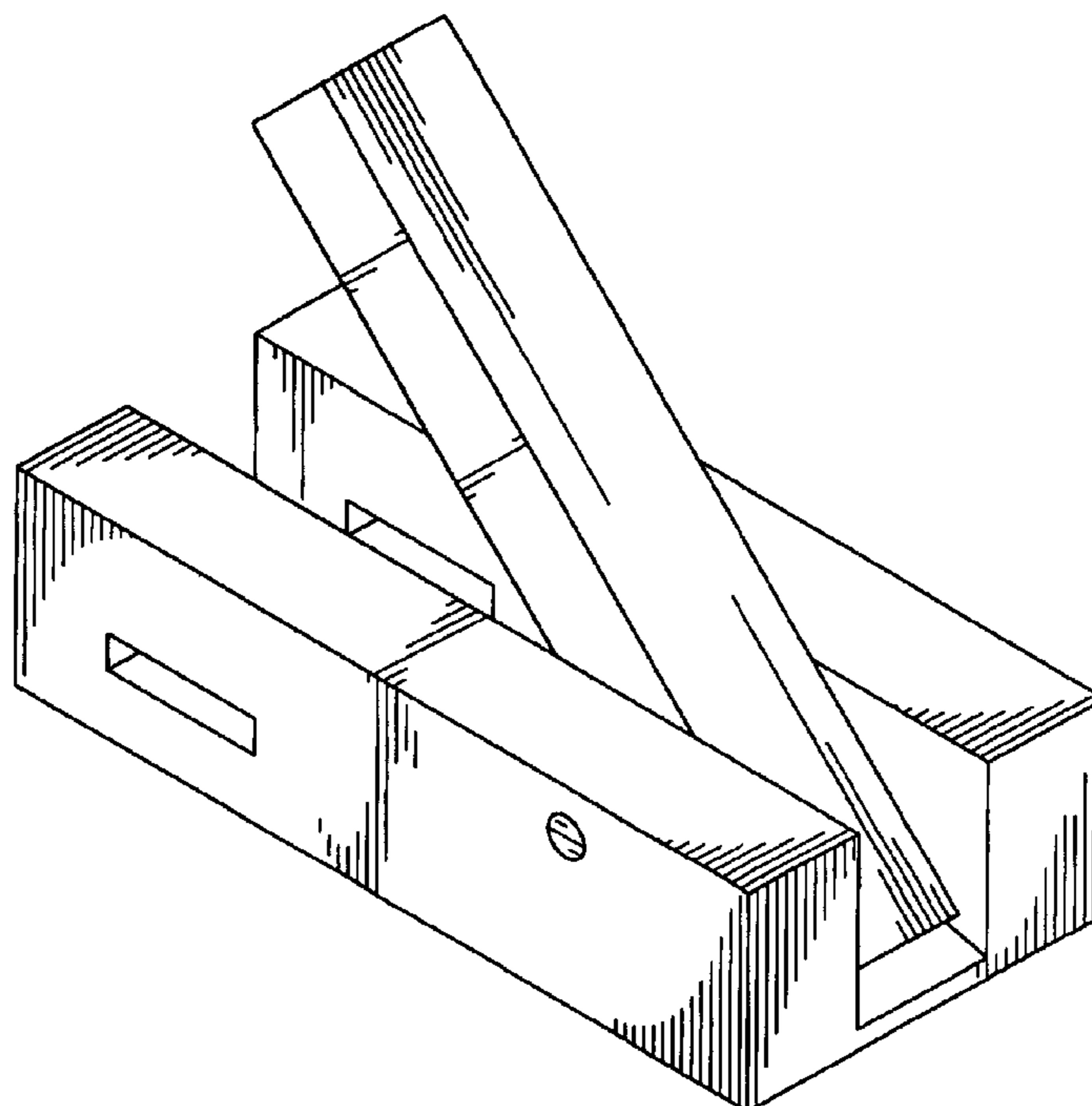
FIG. 5 is a side view of the right side of the hanging apparatus of FIG. 1 with the hanging member extended outwards from the body.

FIG. 6 is a top plan view of the hanging apparatus of FIG. 1 with the hanging member extended outwards from the body.

FIG. 7 is a bottom plan view of the hanging apparatus of FIG. 1 with the hanging member extended outwards from the body; and,

FIG. 8 is a perspective view of the hanging apparatus of FIG. 1 showing the hanging member recessed into the body.

**1 Claim, 3 Drawing Sheets**



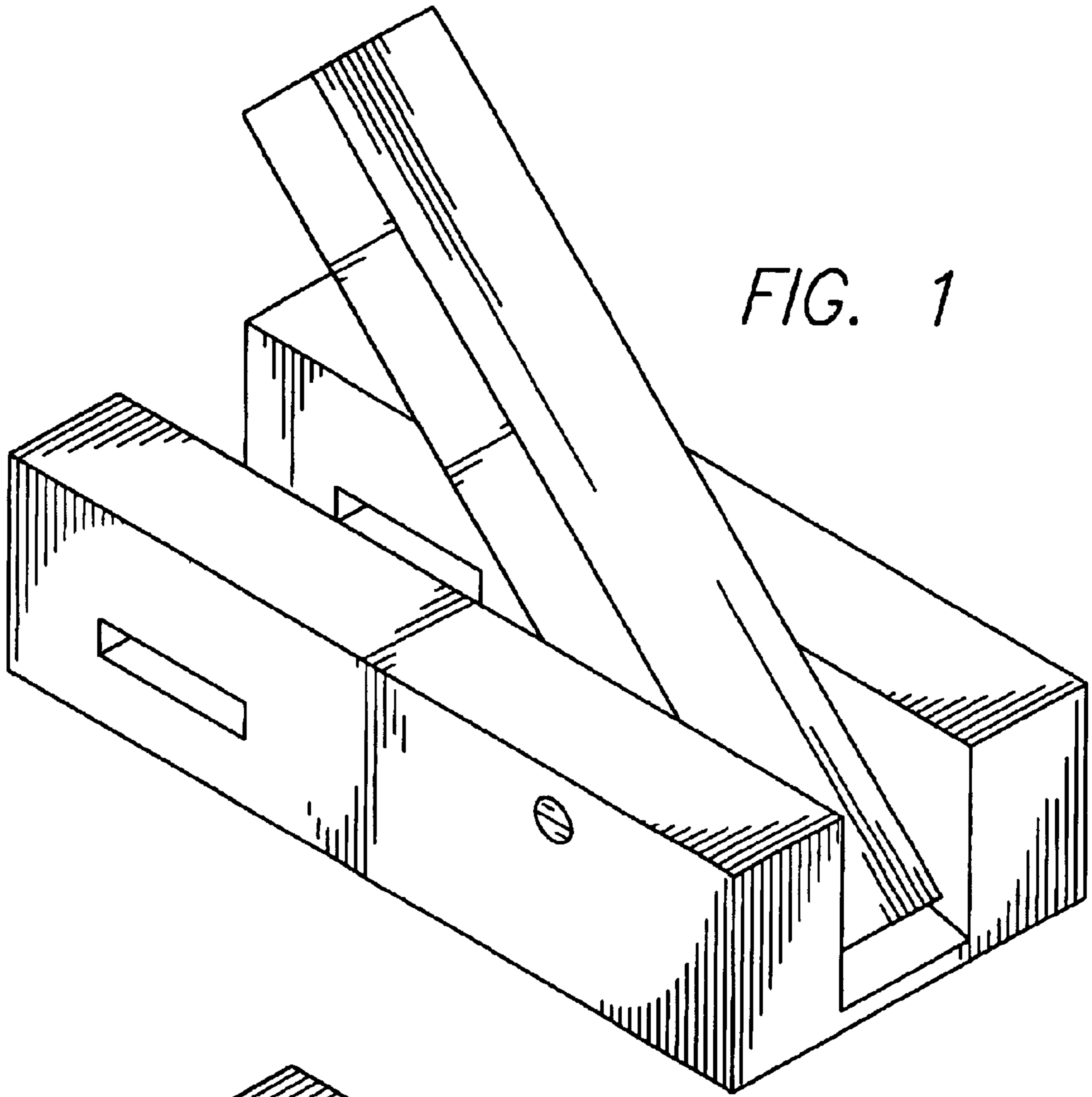


FIG. 1

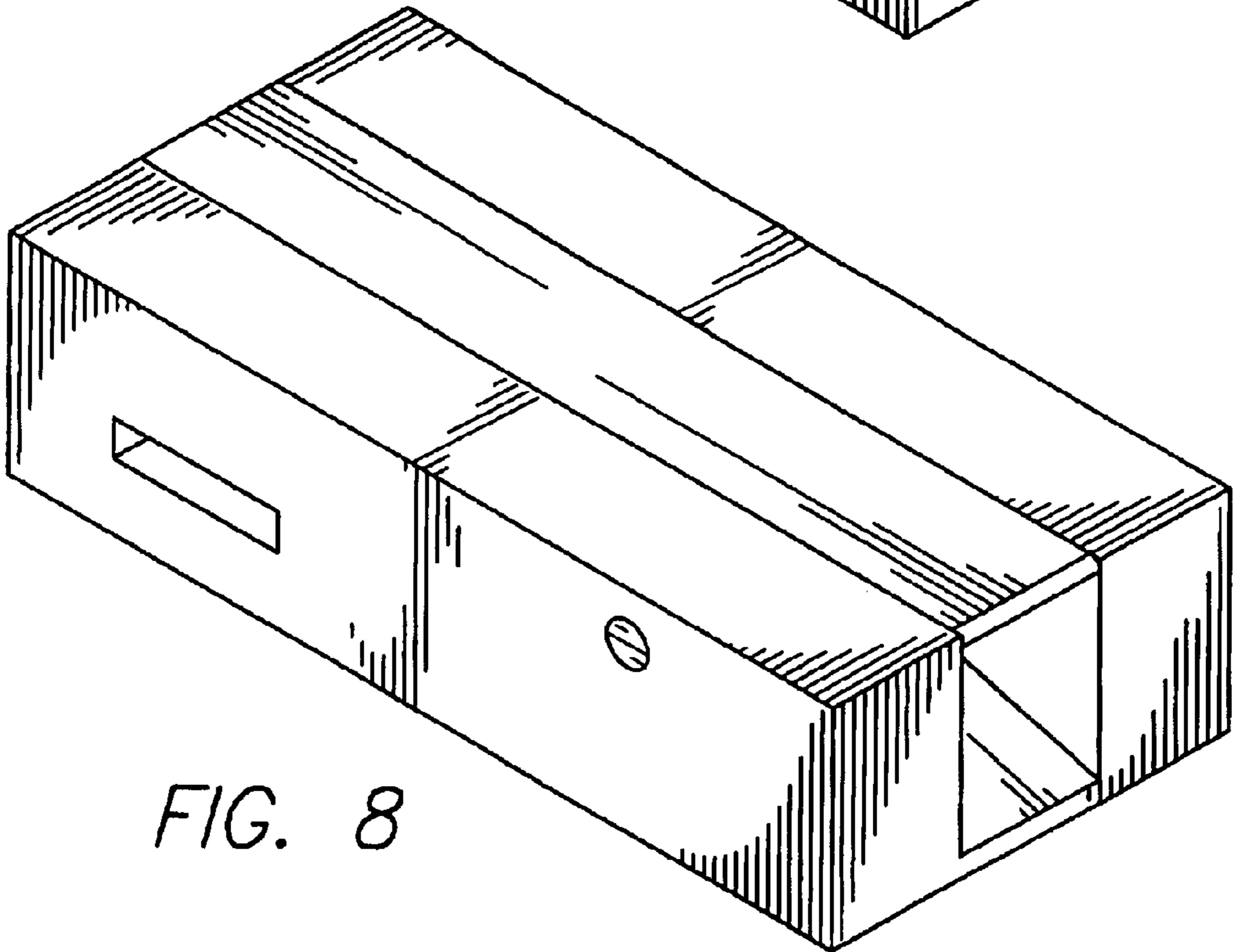


FIG. 8

FIG. 2

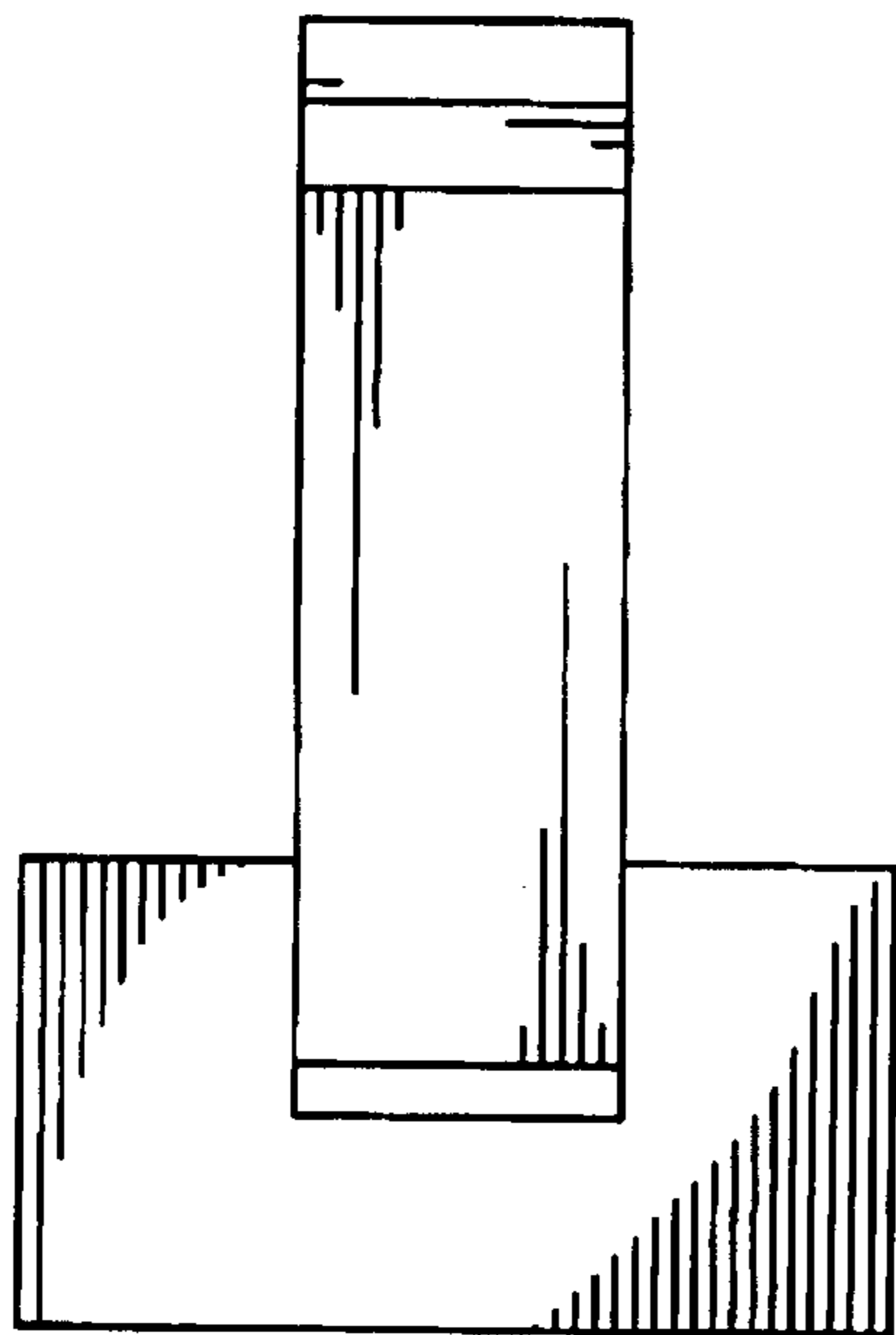
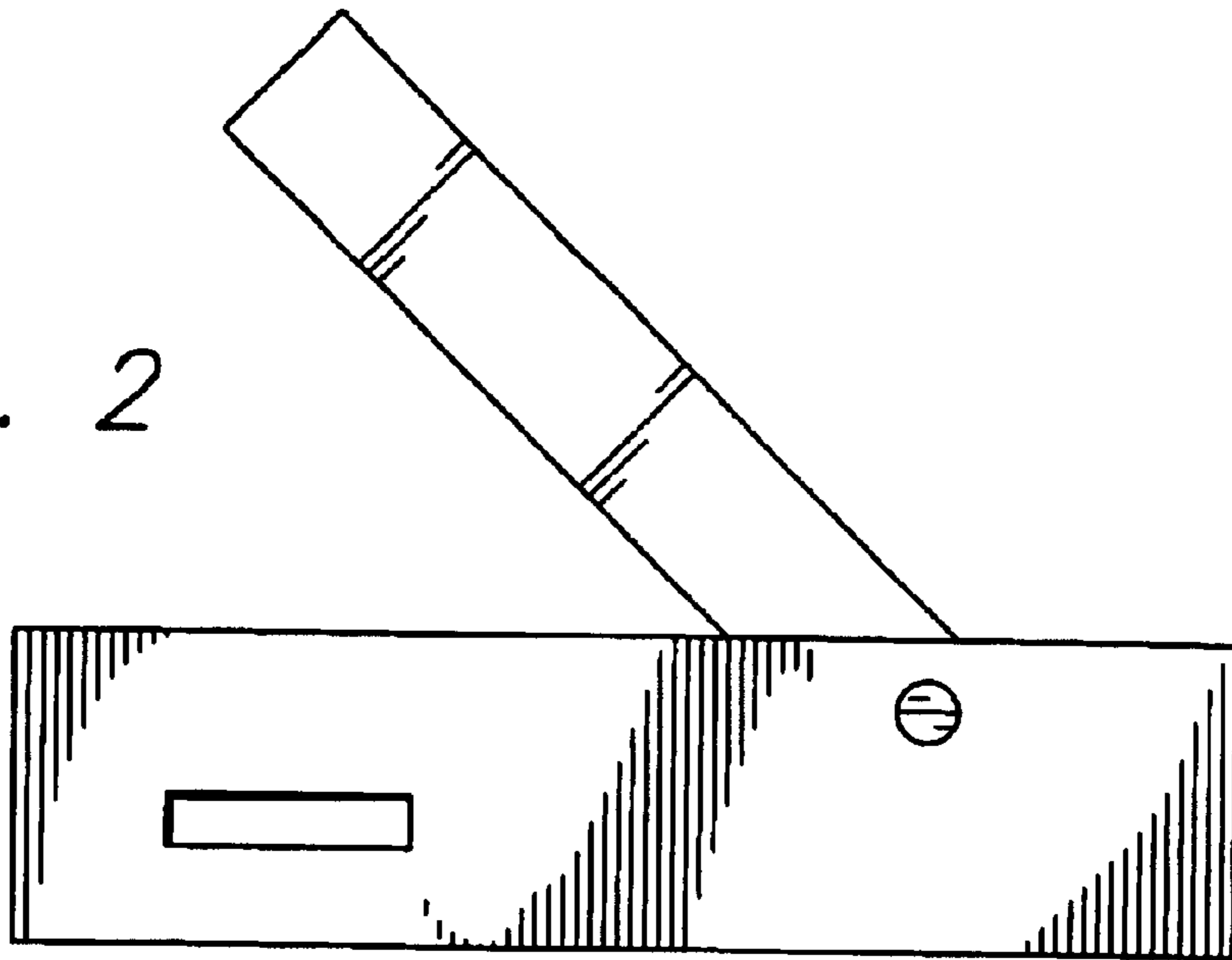


FIG. 3

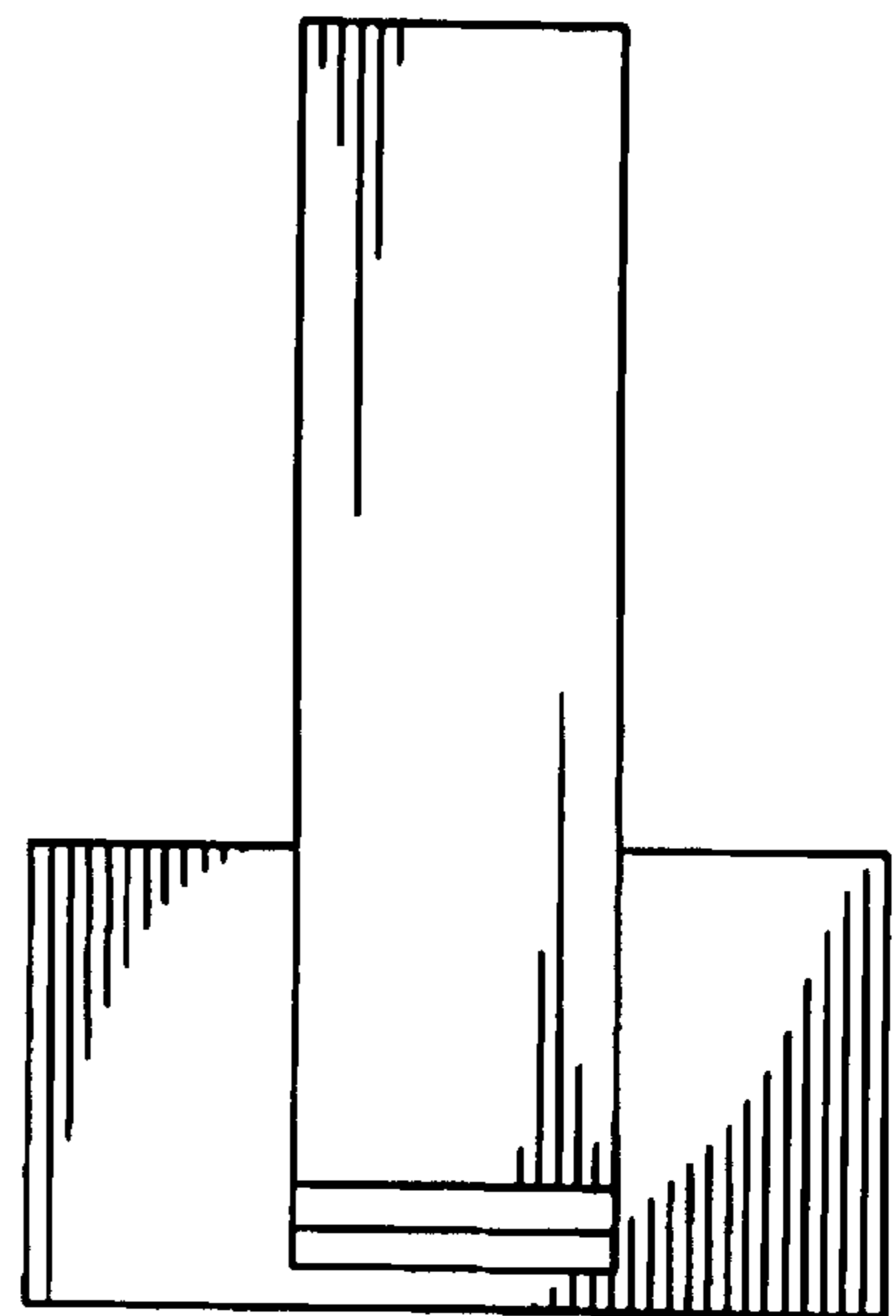


FIG. 4

FIG. 5

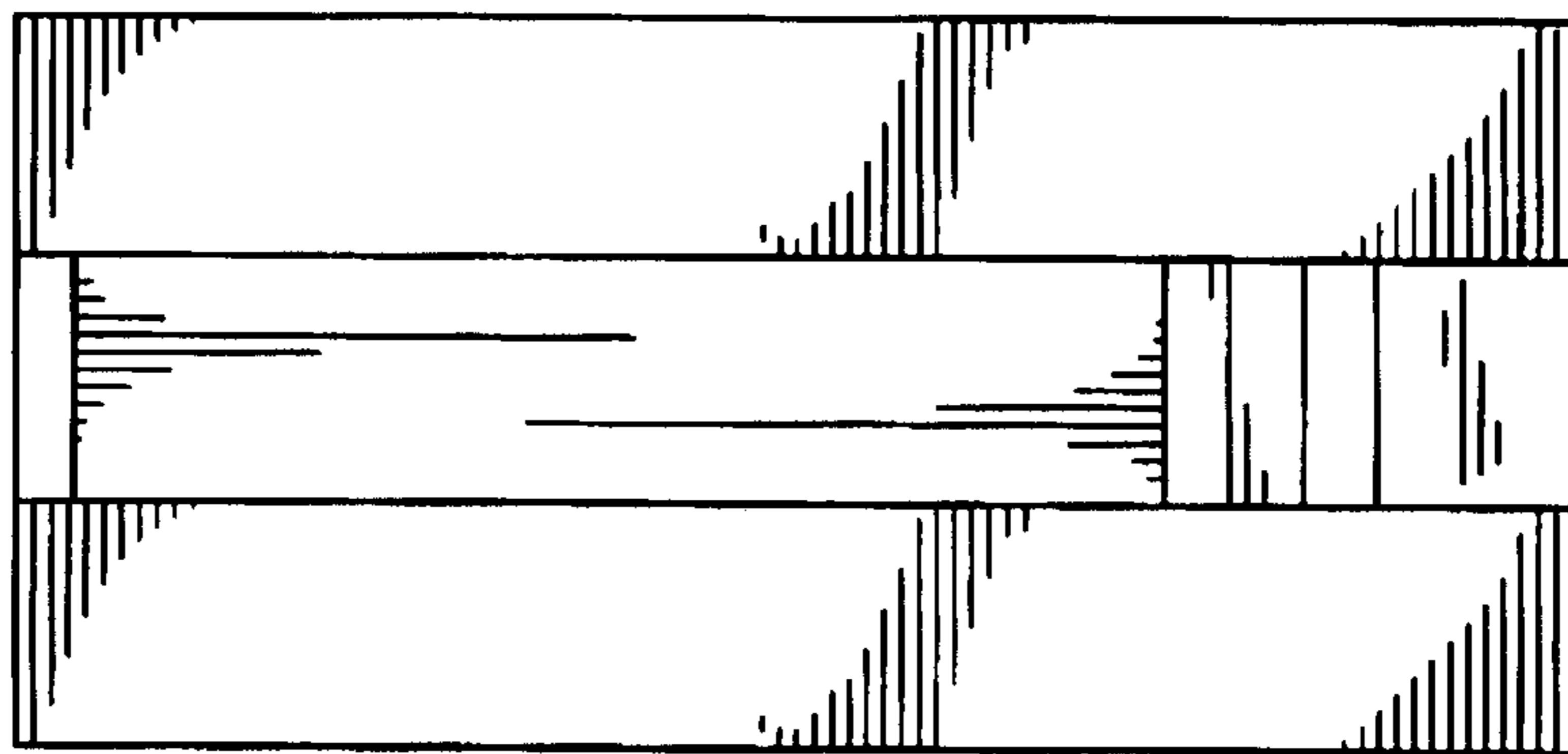
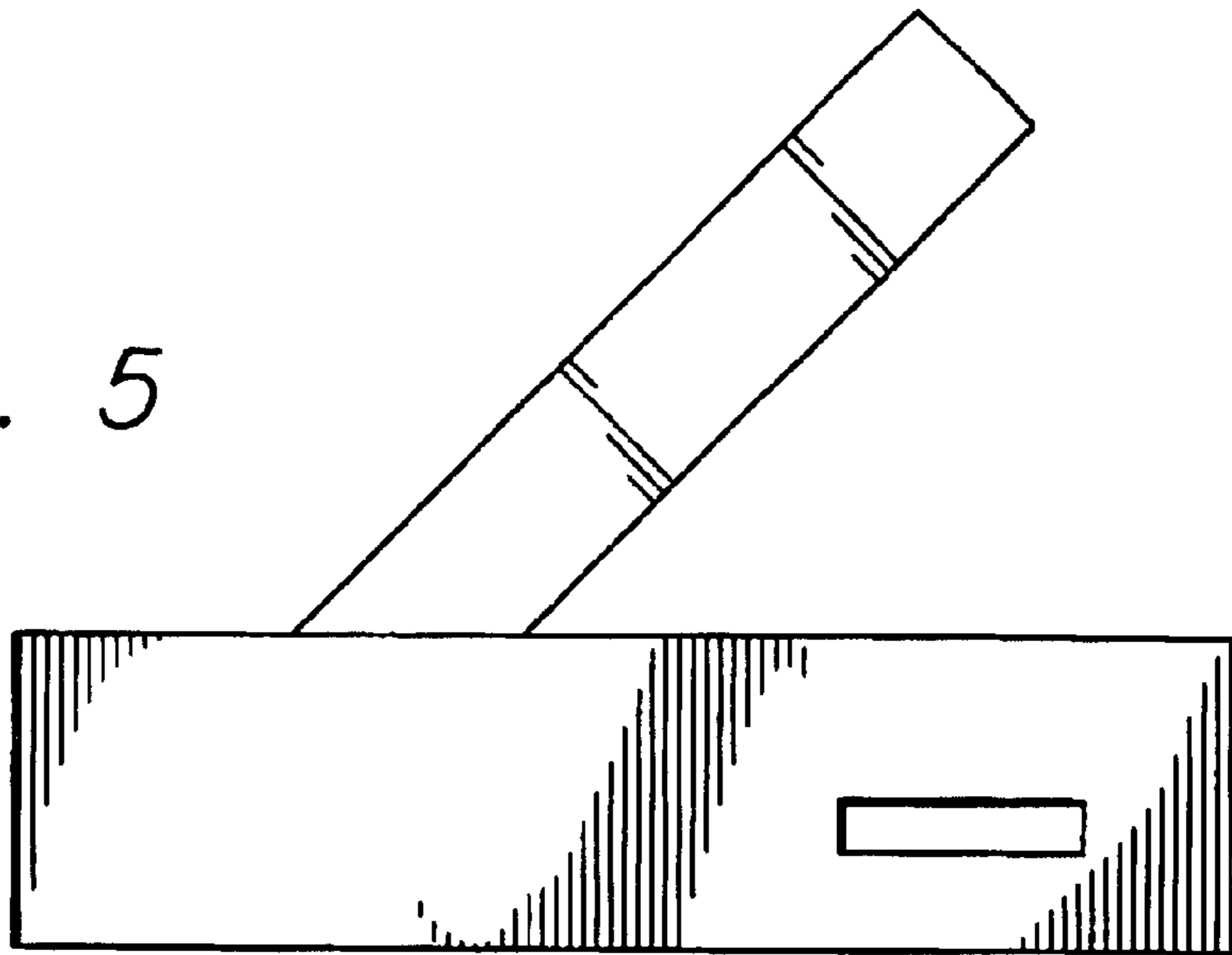


FIG. 6

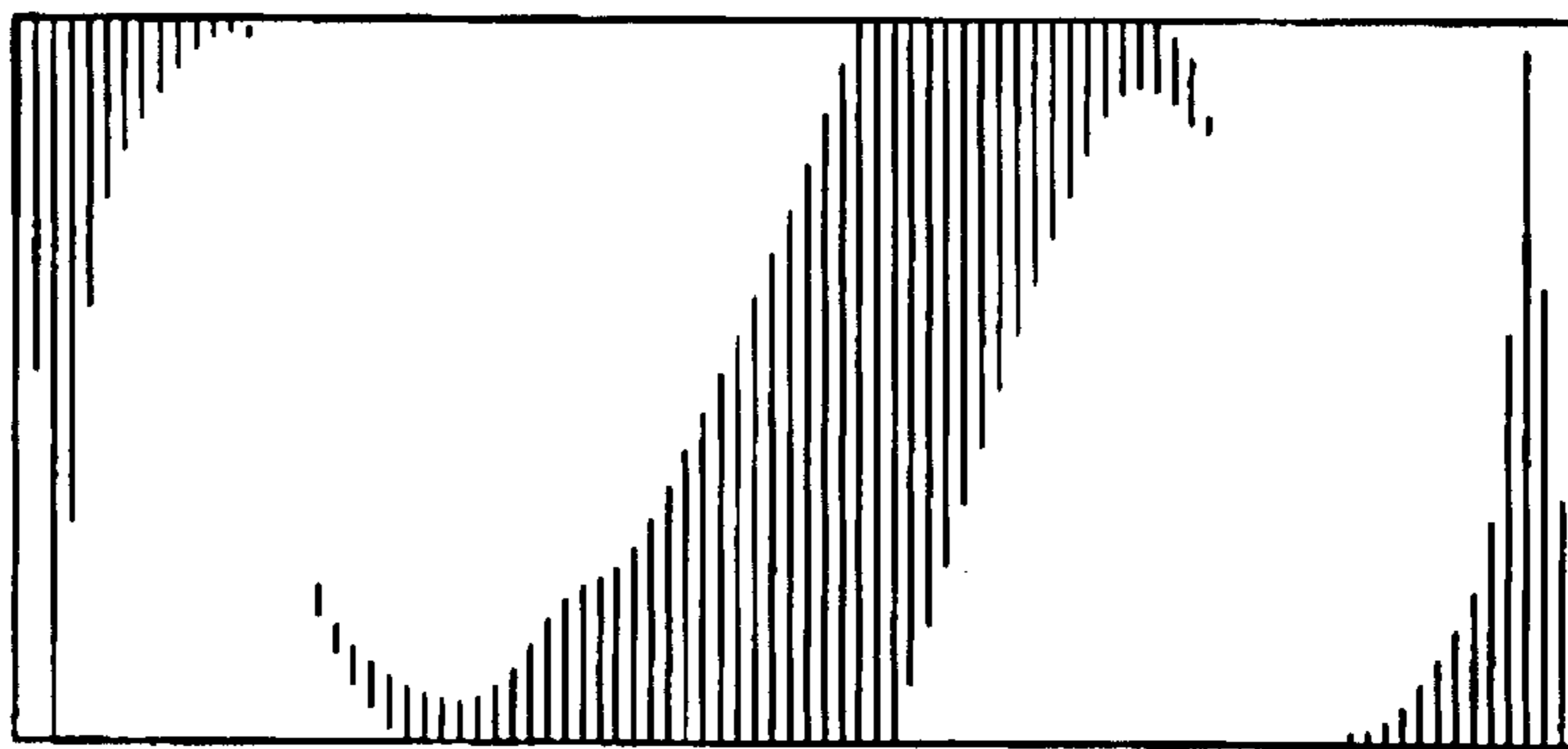


FIG. 7