



US00D489250S

(12) **United States Design Patent**  
**Graves et al.**

(10) **Patent No.:** **US D489,250 S**

(45) **Date of Patent:** **\*\* May 4, 2004**

(54) **HOOK**

(75) Inventors: **Michael Graves**, Princeton, NJ (US);  
**Donald Strum**, Princeton, NJ (US);  
**William Harrington**, Princeton, NJ  
(US); **Scott Doty**, Cranbury, NJ (US)

(73) Assignee: **Masco Corporation of Indiana**,  
Indianapolis, IN (US)

(\*\*) Term: **14 Years**

(21) Appl. No.: **29/185,353**

(22) Filed: **Jun. 26, 2003**

(51) **LOC (7) Cl.** ..... **08-05**

(52) **U.S. Cl.** ..... **D8/367**

(58) **Field of Search** ..... D8/367, 363; D6/323,  
D6/550; 248/301, 304, 294.1

(56) **References Cited**

**U.S. PATENT DOCUMENTS**

D318,590 S \* 7/1991 McKeone ..... D6/524  
D464,812 S \* 10/2002 Yen ..... D6/323

D465,096 S \* 11/2002 Ouyong ..... D6/323  
D472,060 S \* 3/2003 Hoernig ..... D6/323  
D477,150 S \* 7/2003 Hoernig ..... D6/323

\* cited by examiner

*Primary Examiner*—Holly Baynham

(74) *Attorney, Agent, or Firm*—Kwadjo Adusei-Poku;  
Lloyd D. Doigan

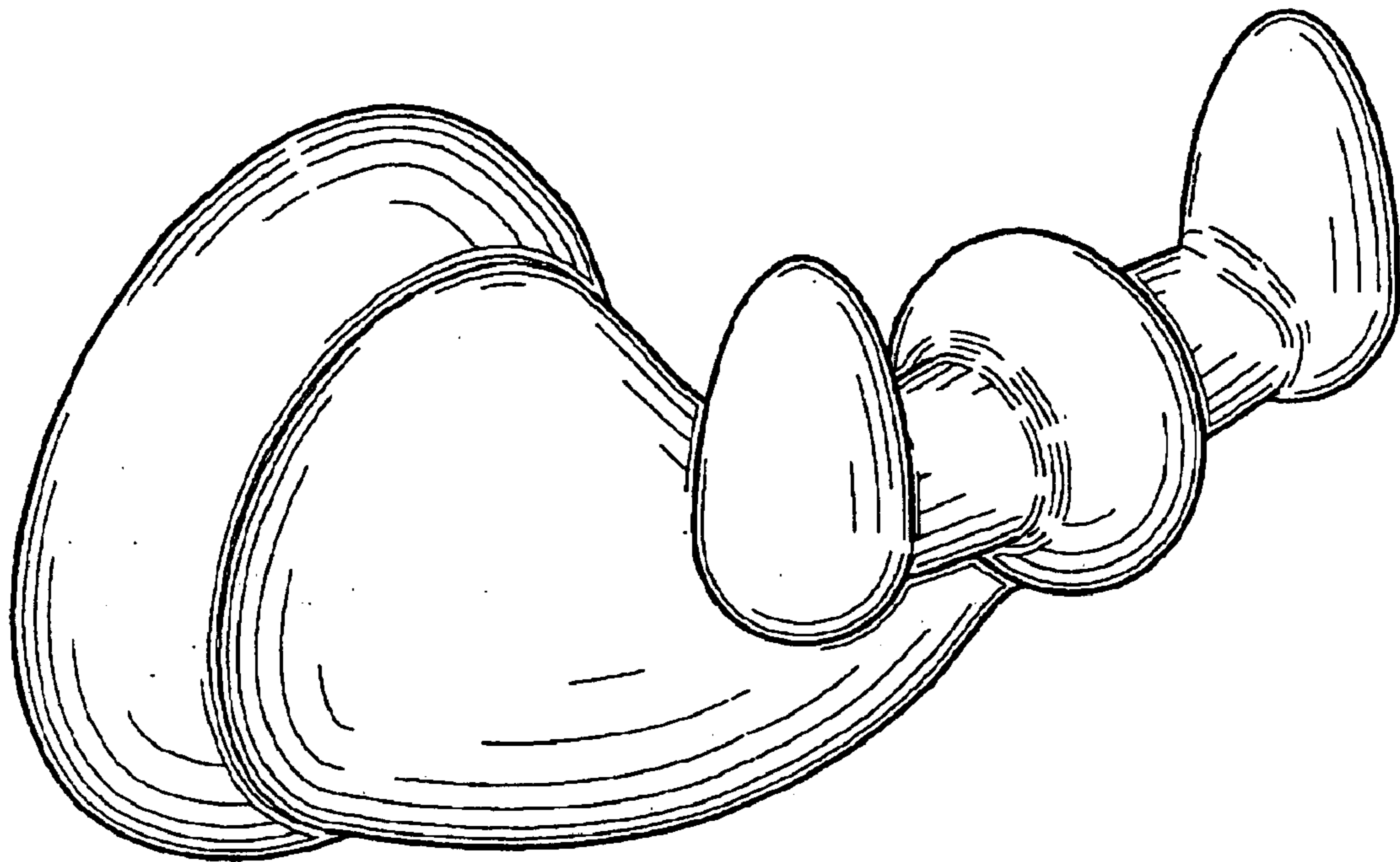
(57) **CLAIM**

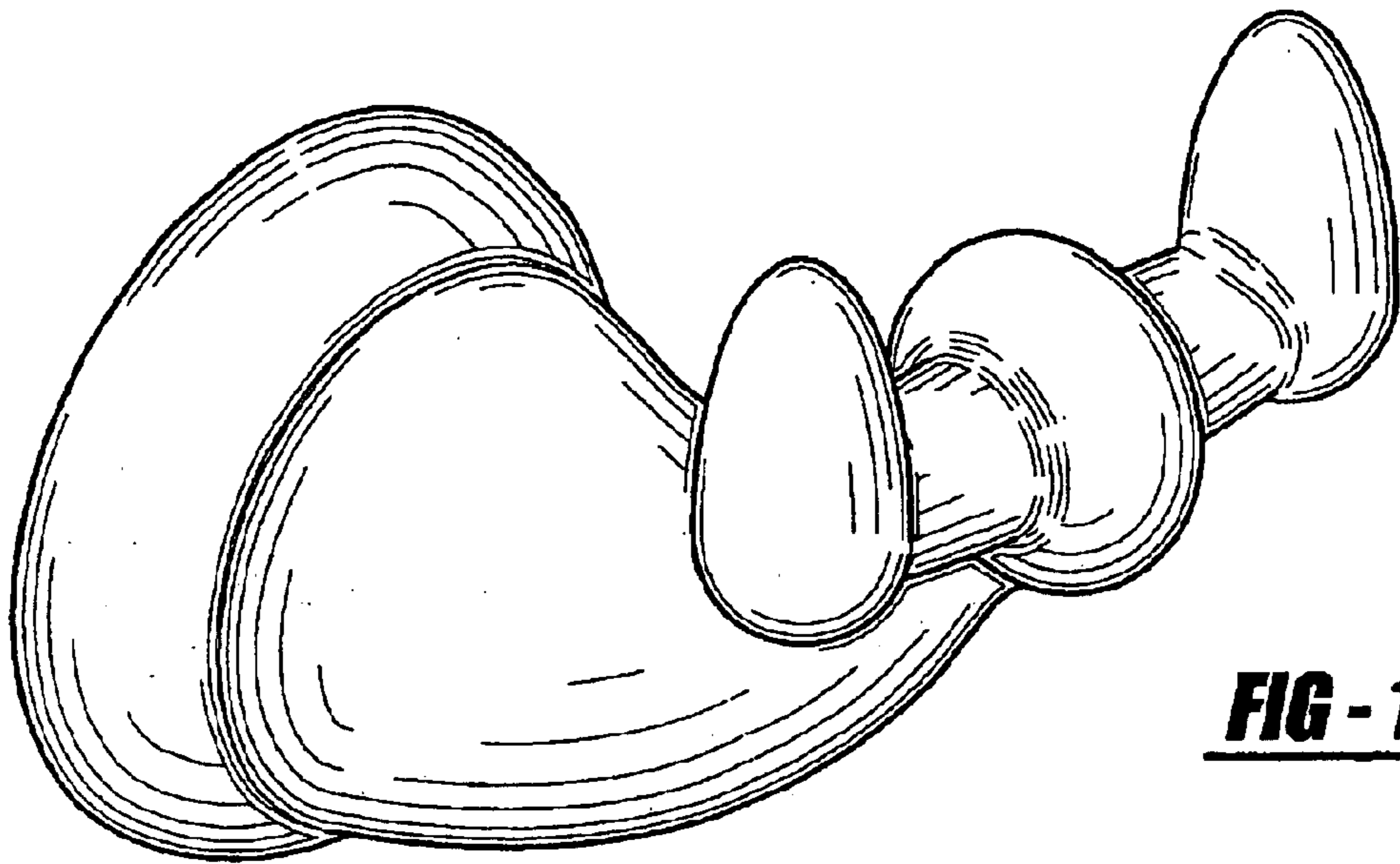
The ornamental design for a hook, as shown and described.

**DESCRIPTION**

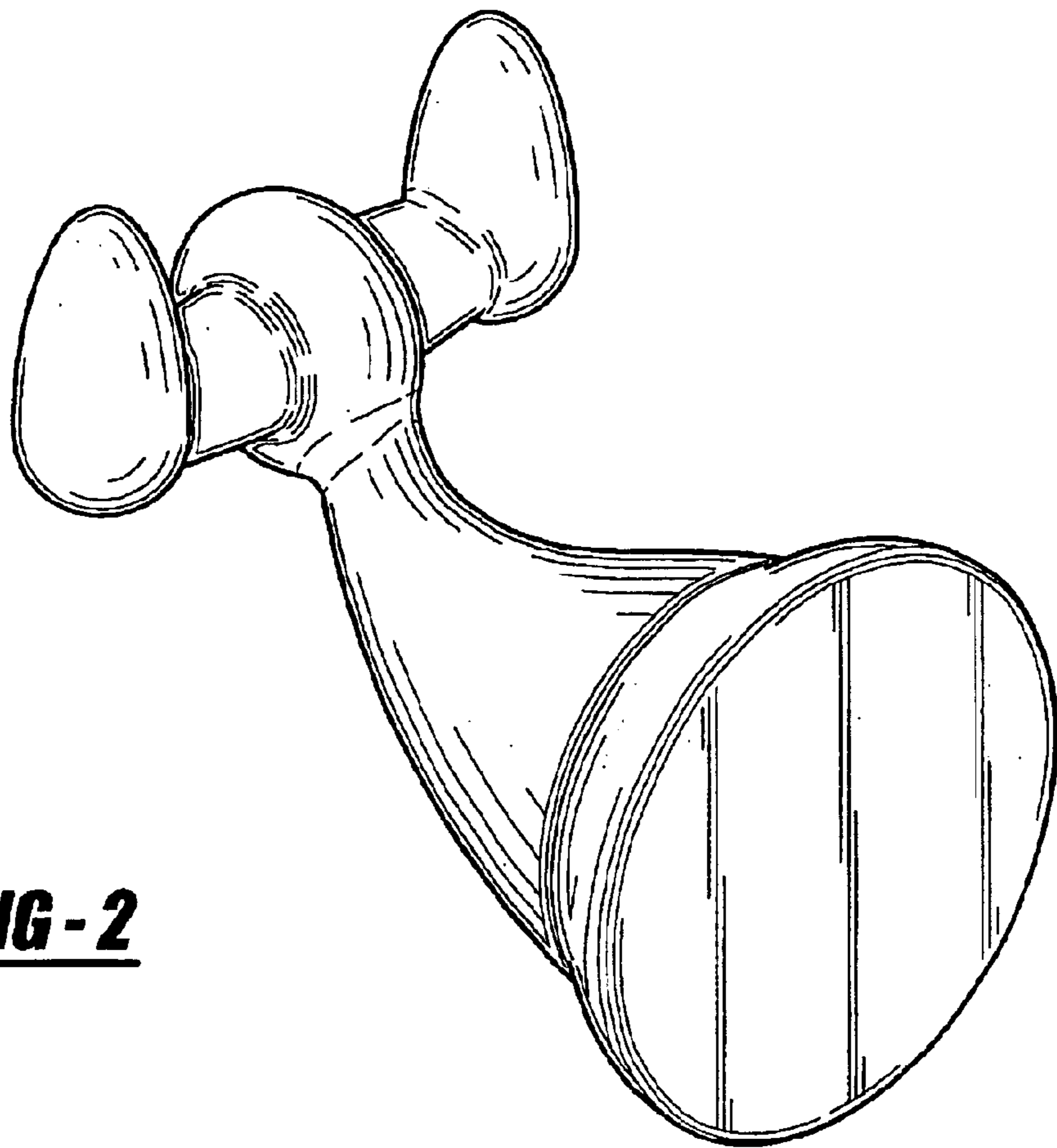
FIG. 1 is a front perspective view of a hook showing our new design;  
FIG. 2 is a rear perspective view thereof;  
FIG. 3 is a front elevational view thereof;  
FIG. 4 is a left side elevational view thereof;  
FIG. 5 is a top plan view thereof;  
FIG. 6 is a right side elevational view thereof;  
FIG. 7 is a rear elevational view thereof; and,  
FIG. 8 is a bottom plan view thereof.

**1 Claim, 4 Drawing Sheets**

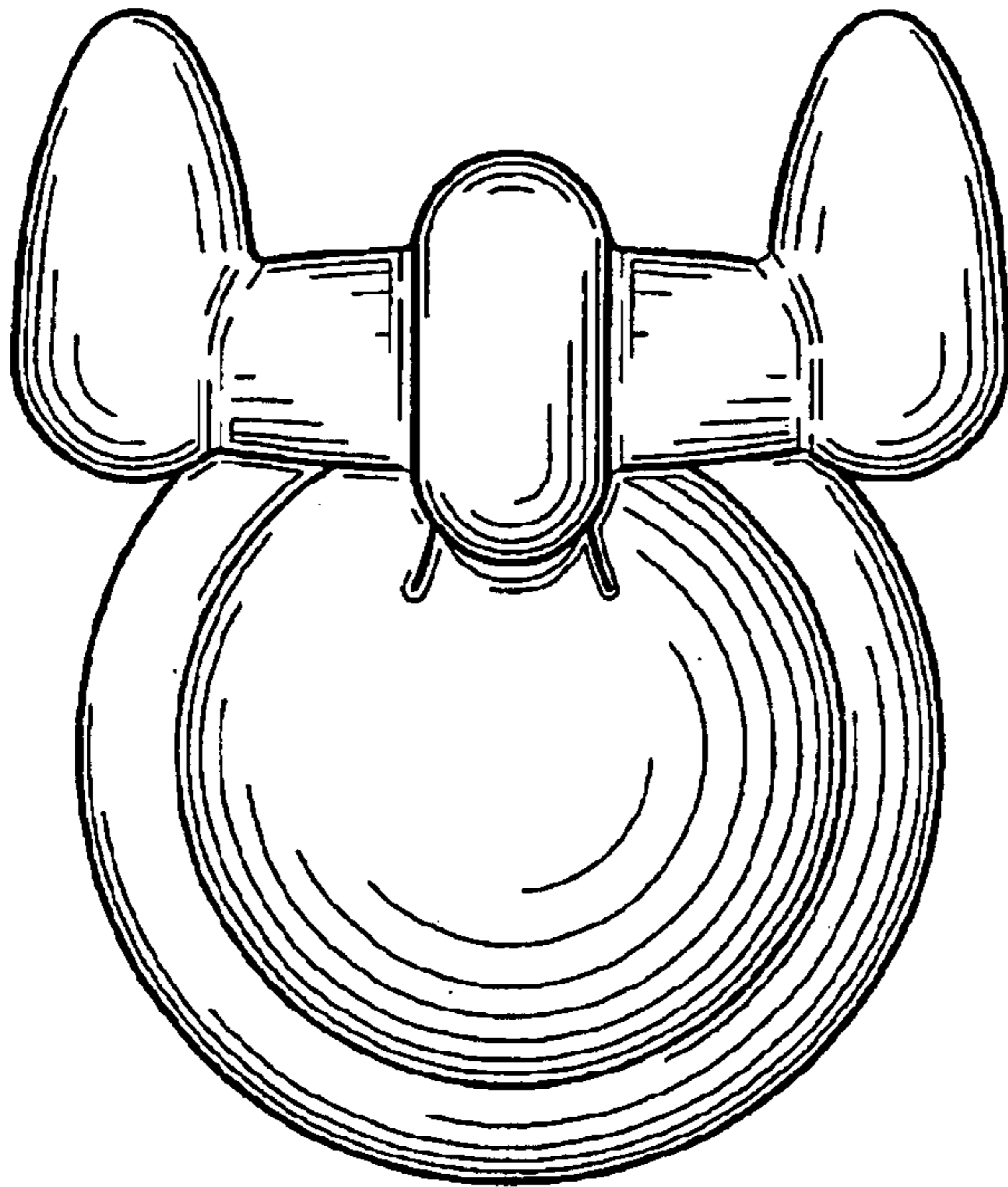




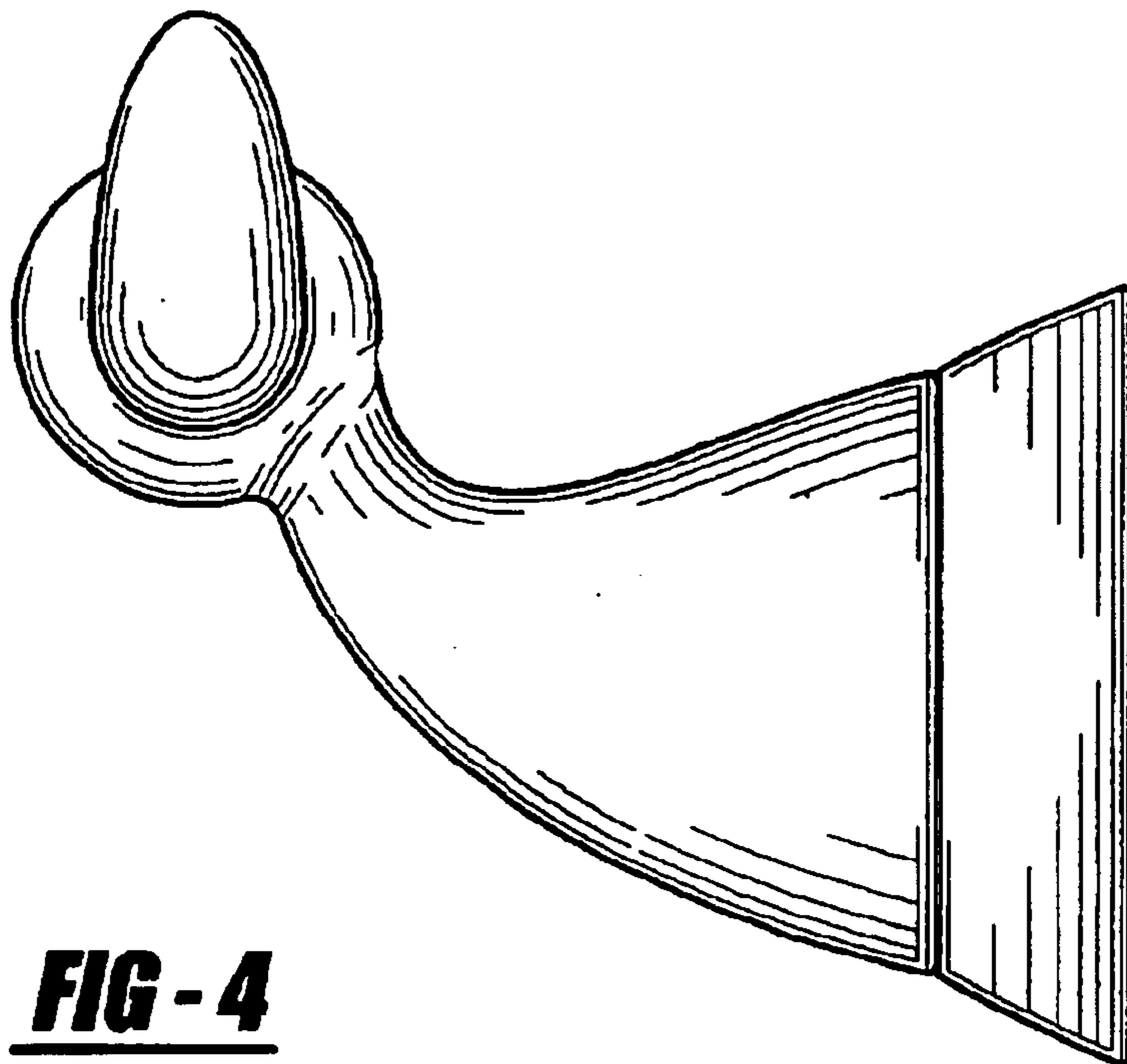
**FIG - 1**



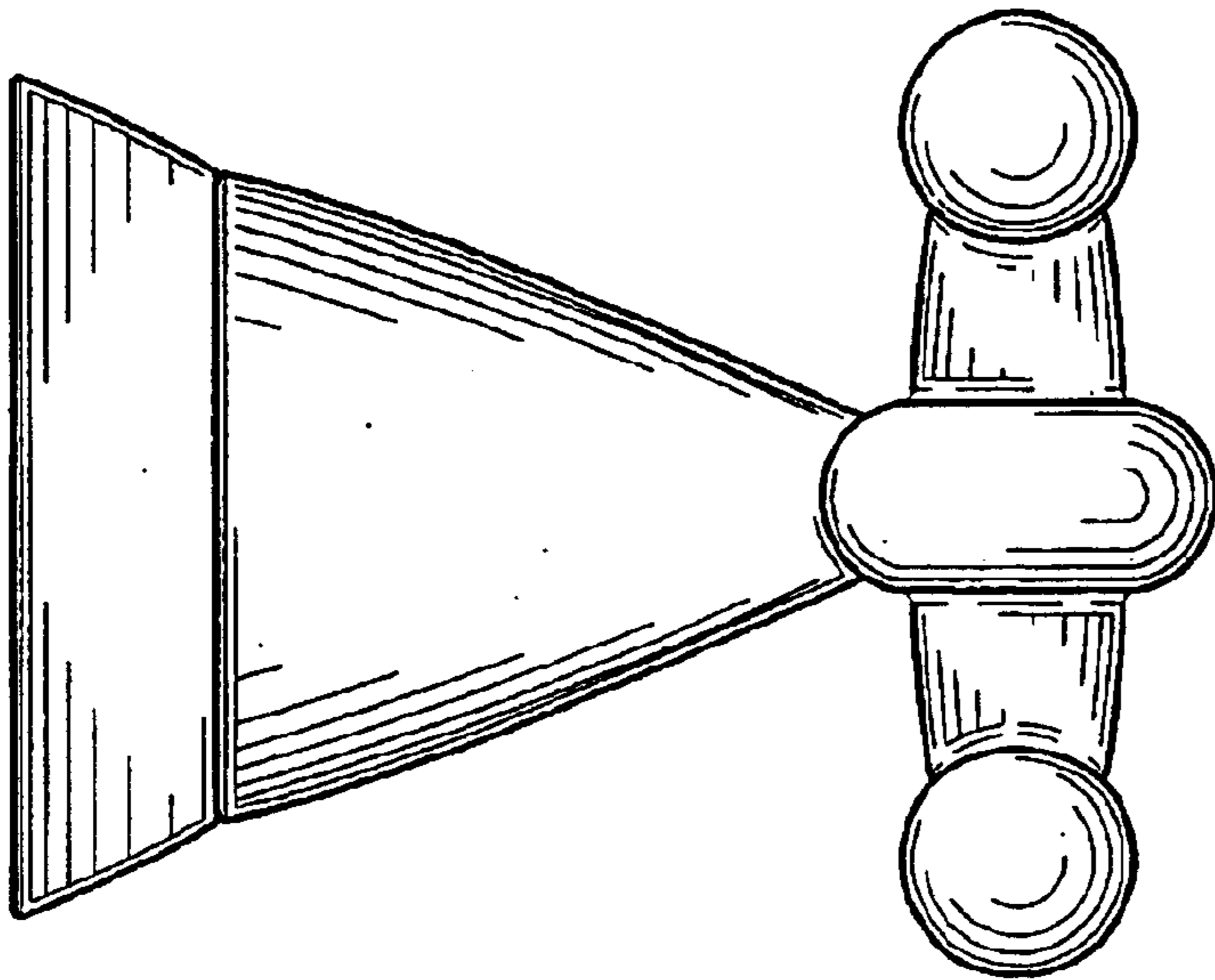
**FIG - 2**



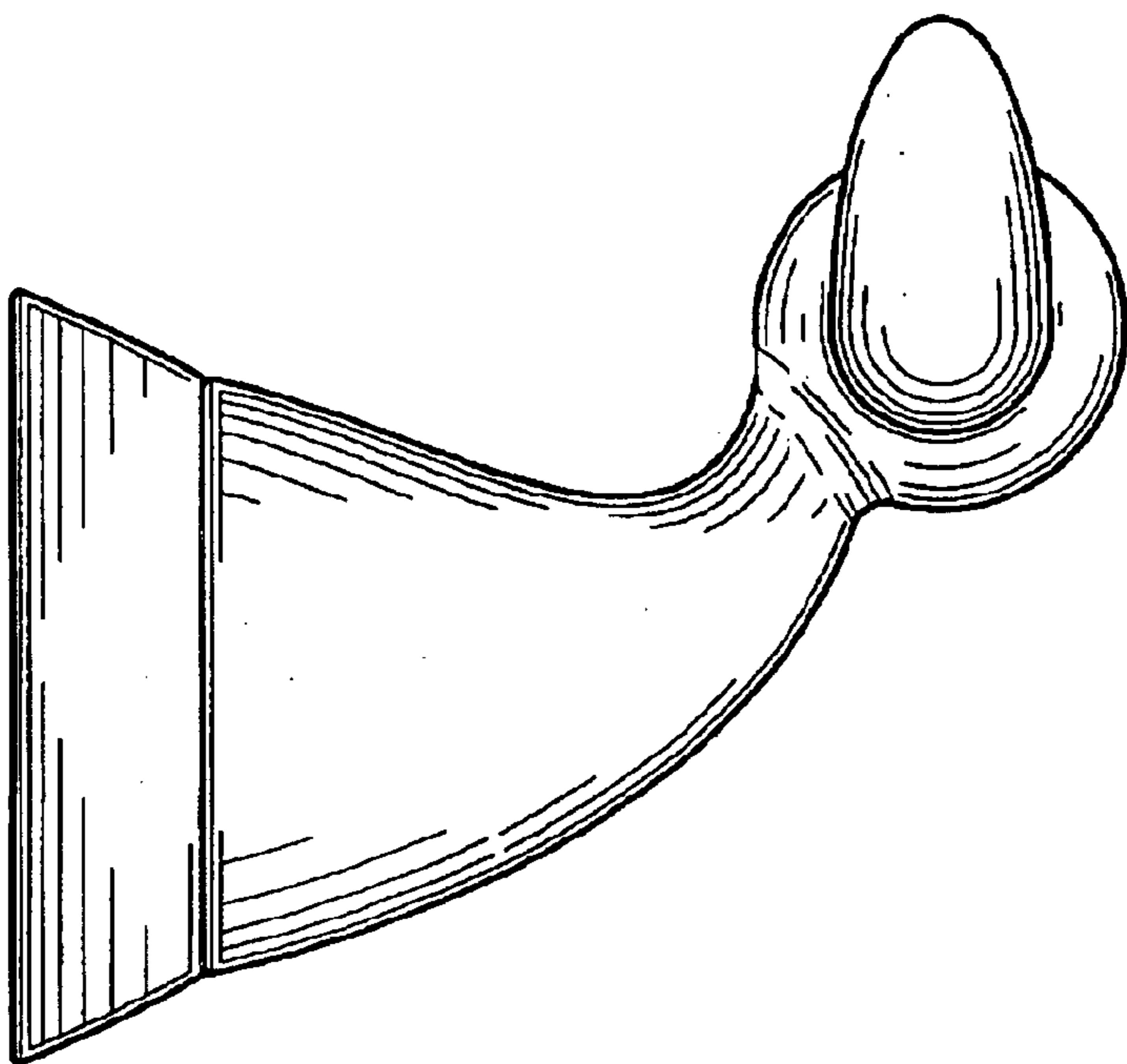
**FIG - 3**



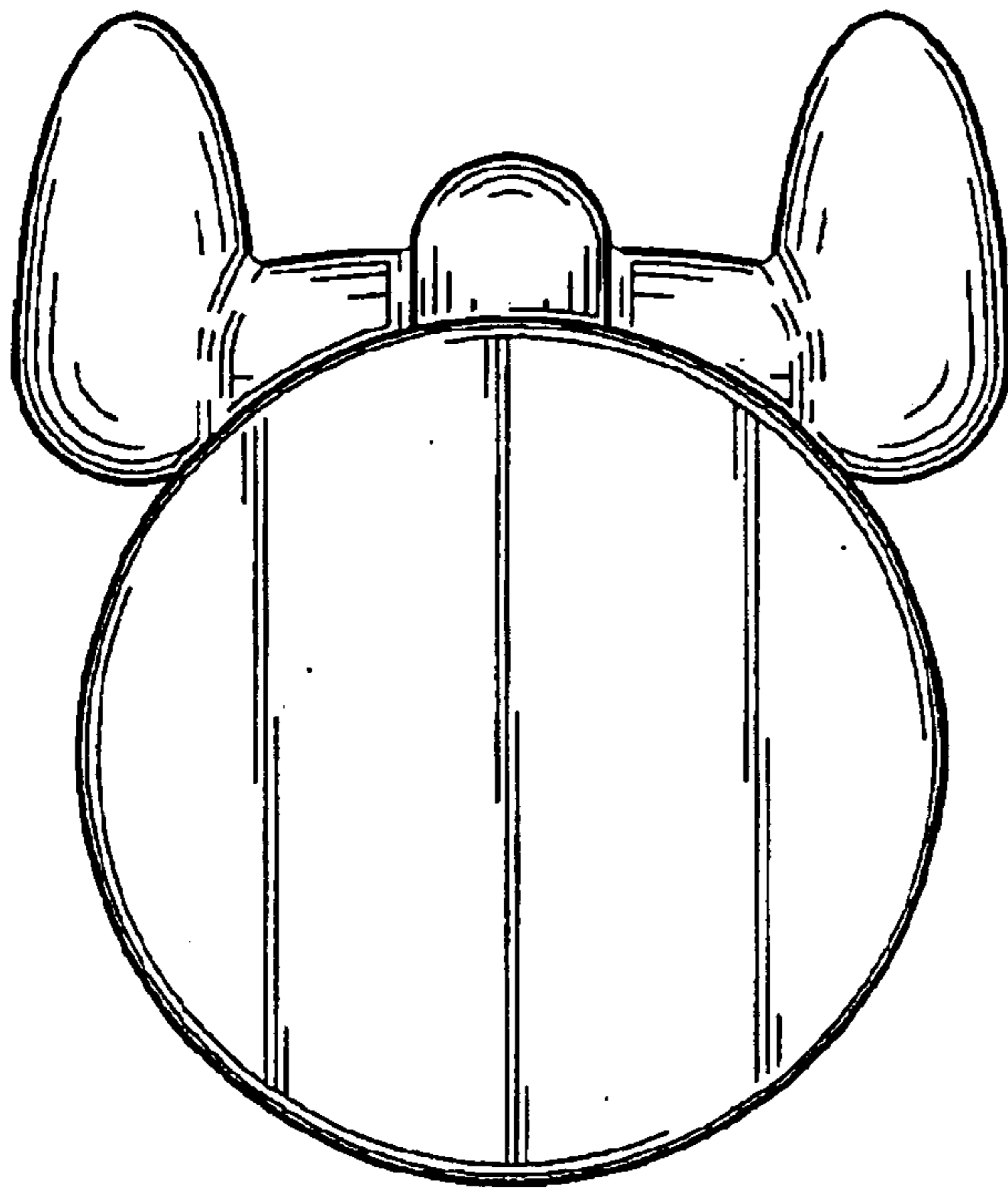
**FIG - 4**



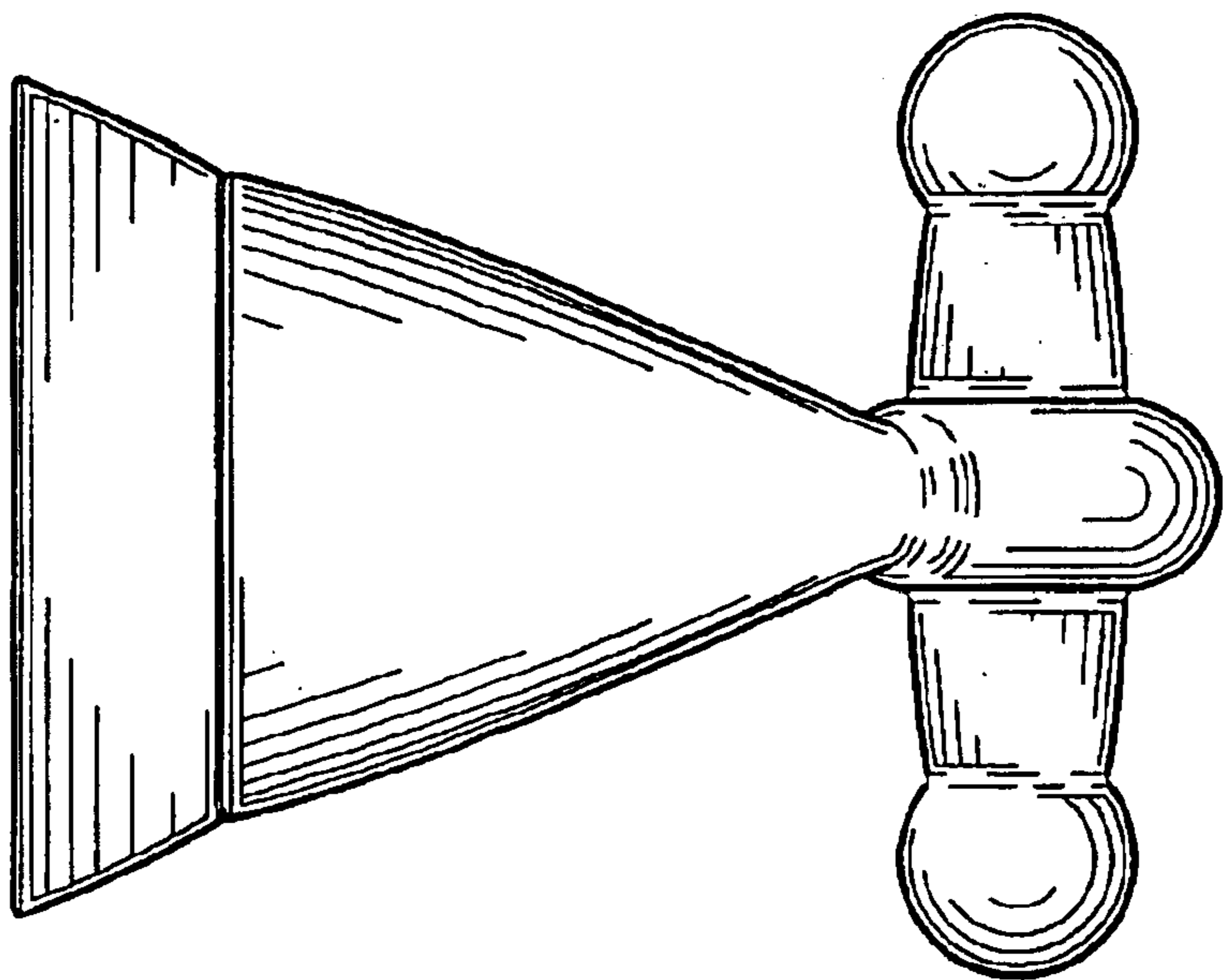
**FIG - 5**



**FIG - 6**



**FIG - 7**



**FIG - 8**