



US00D489247S

(12) **United States Design Patent**
Oyster et al.

(10) **Patent No.:** **US D489,247 S**

(45) **Date of Patent:** **** May 4, 2004**

(54) **SNAP CONNECTOR**

(75) Inventors: **Brian D. Oyster**, Damascus, OH (US);
David R. Kerns, Homeworth, OH (US); **Robert C. Holt, Jr.**, North Canton, OH (US); **James G. Stout**, Alliance, OH (US)

(73) Assignee: **Coastal Pet Products, Inc.**, Alliance, OH (US)

(**) Term: **14 Years**

(21) Appl. No.: **29/170,271**

(22) Filed: **Nov. 4, 2002**

(51) **LOC (7) Cl.** **08-05**

(52) **U.S. Cl.** **D8/367**

(58) **Field of Search** 54/85; D8/367,
D8/382; 24/599.8, 598.1, 599.4, 598.4

(56) **References Cited**

U.S. PATENT DOCUMENTS

2,896,288	A	*	7/1959	Davis	24/323
3,357,069	A	*	12/1967	Gazeley	24/598.1
3,358,340	A	*	12/1967	Higuchi	24/599.8
5,168,606	A	*	12/1992	Ziemelis	24/598.1

OTHER PUBLICATIONS

One photograph and one page of a brochure of a prior art connector distributed by Walsall Hardware Corporation, Skottsdale, Arizona.

* cited by examiner

Primary Examiner—Holly Baynham

(74) *Attorney, Agent, or Firm*—Renner, Kenner, Greive, Bobak, Taylor & Weber

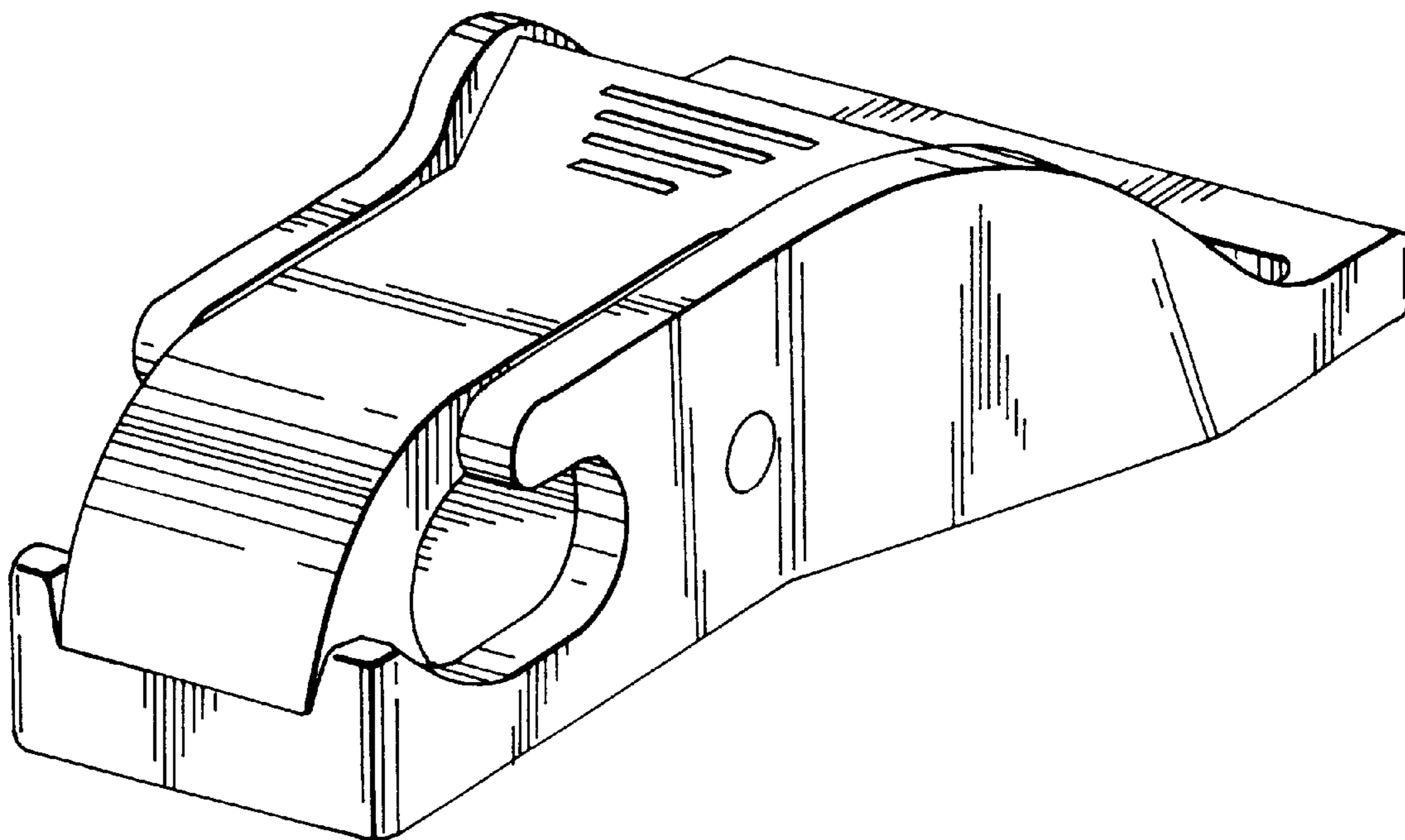
(57) **CLAIM**

The ornamental design for a snap connector, as shown and described.

DESCRIPTION

FIG. 1 is a front, top, right side perspective view of a snap connector showing our new design;
FIG. 2 is a top plan view thereof;
FIG. 3 is a left side elevational view thereof, the right side being a mirror image of FIG. 3;
FIG. 4 is a bottom plan view thereof;
FIG. 5 is a front elevational view thereof; and,
FIG. 6 is a rear elevational view thereof.

1 Claim, 2 Drawing Sheets



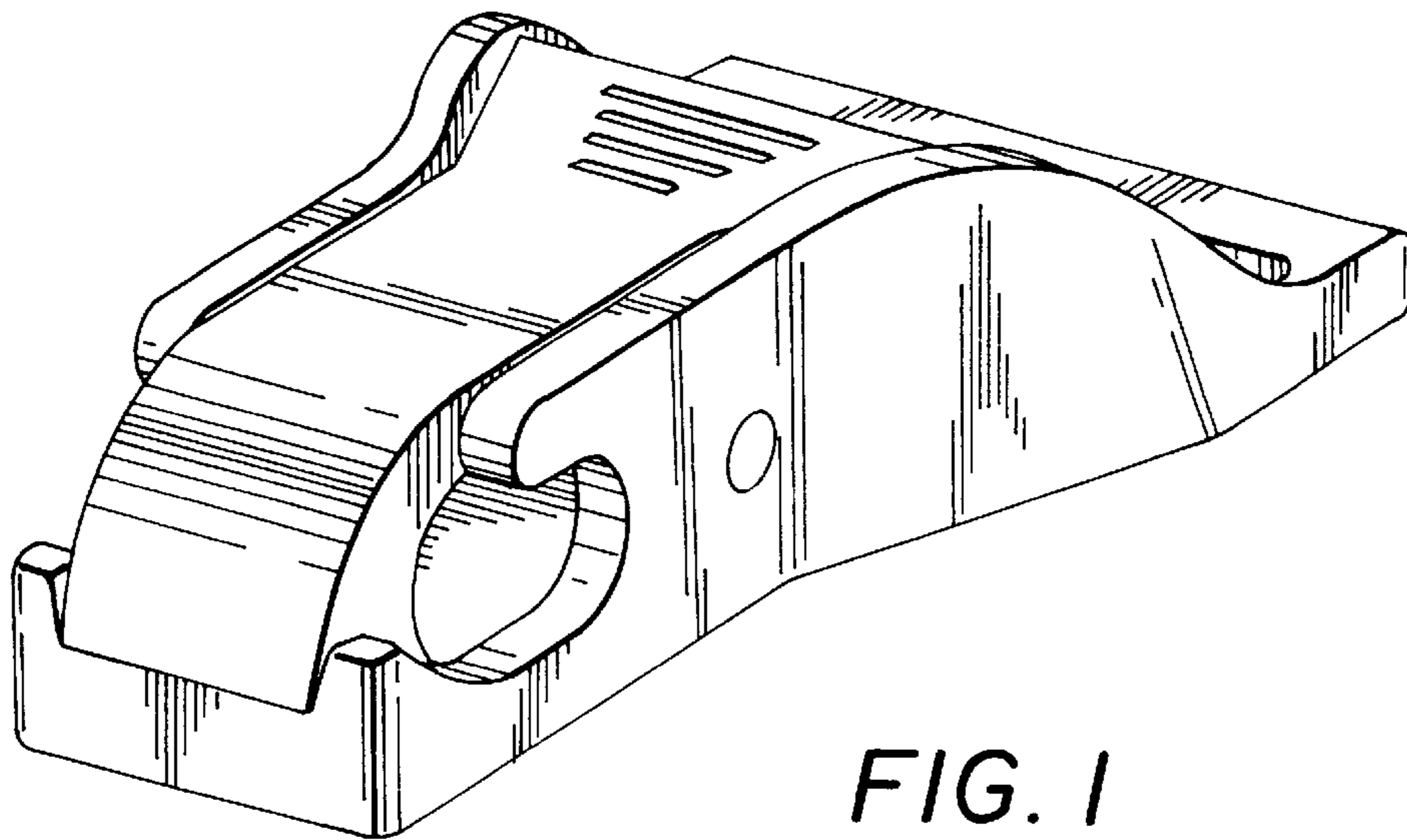


FIG. 1

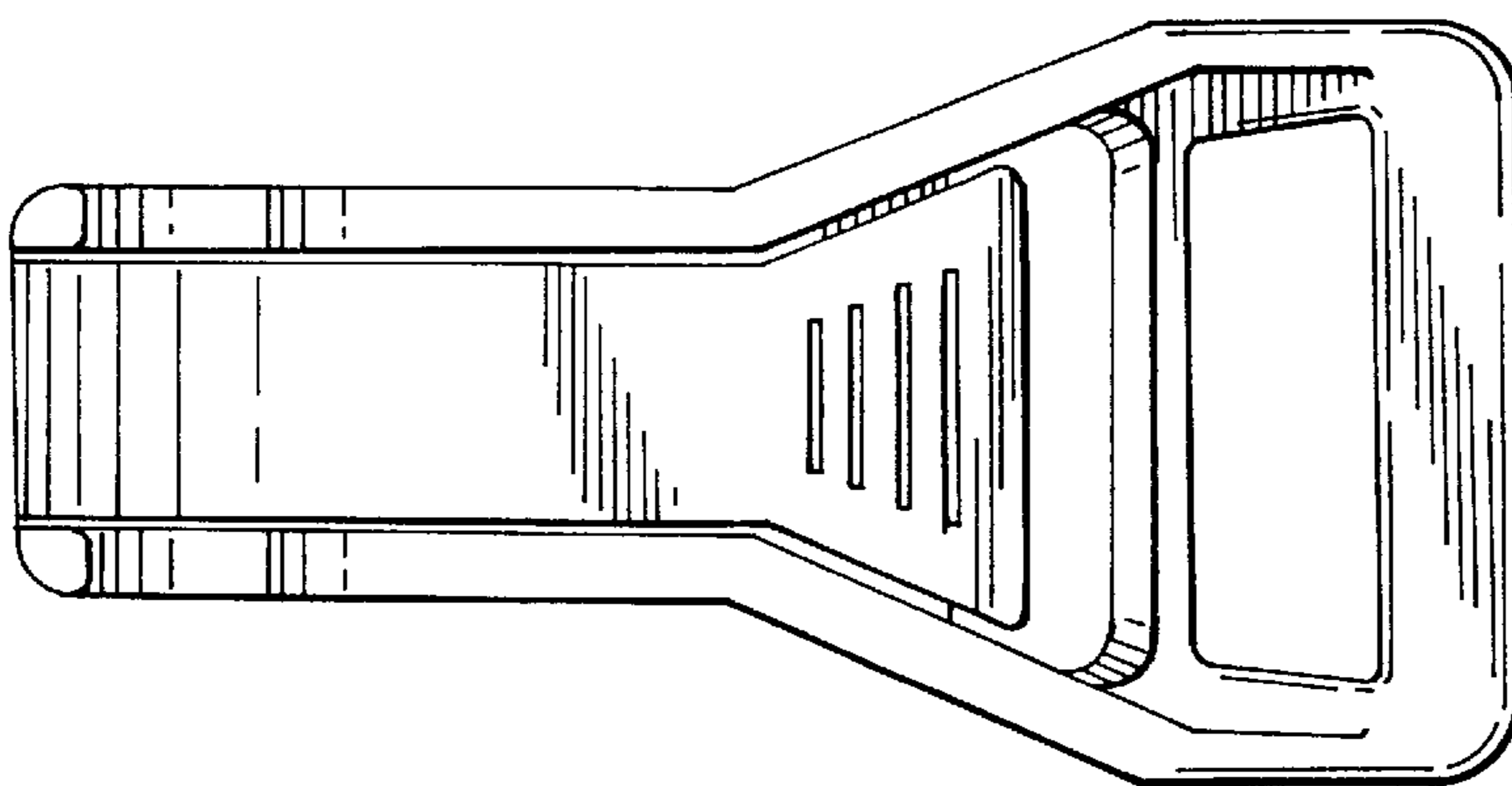


FIG. 2

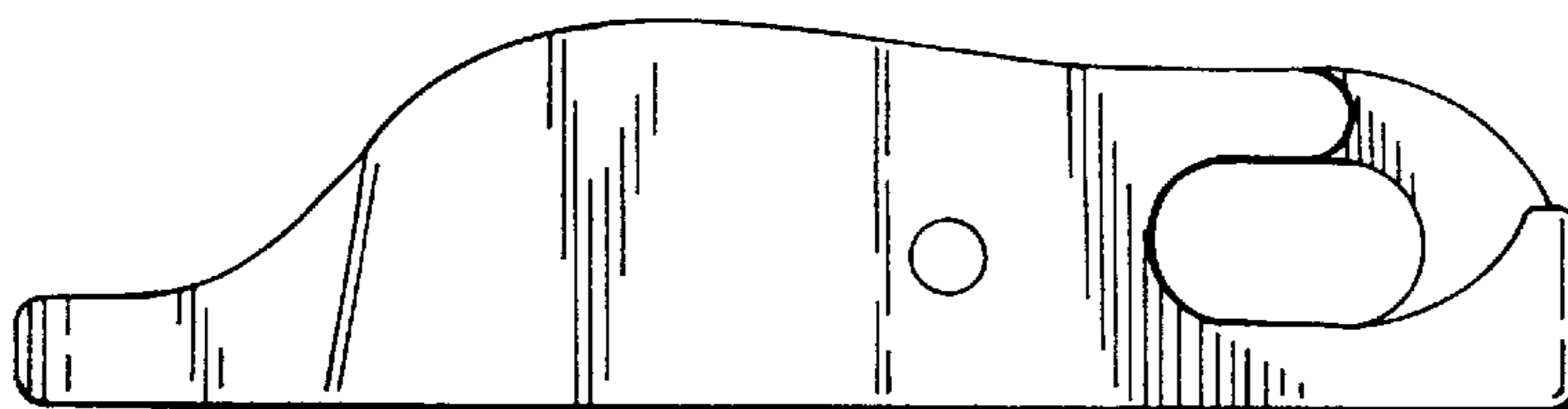


FIG. 3

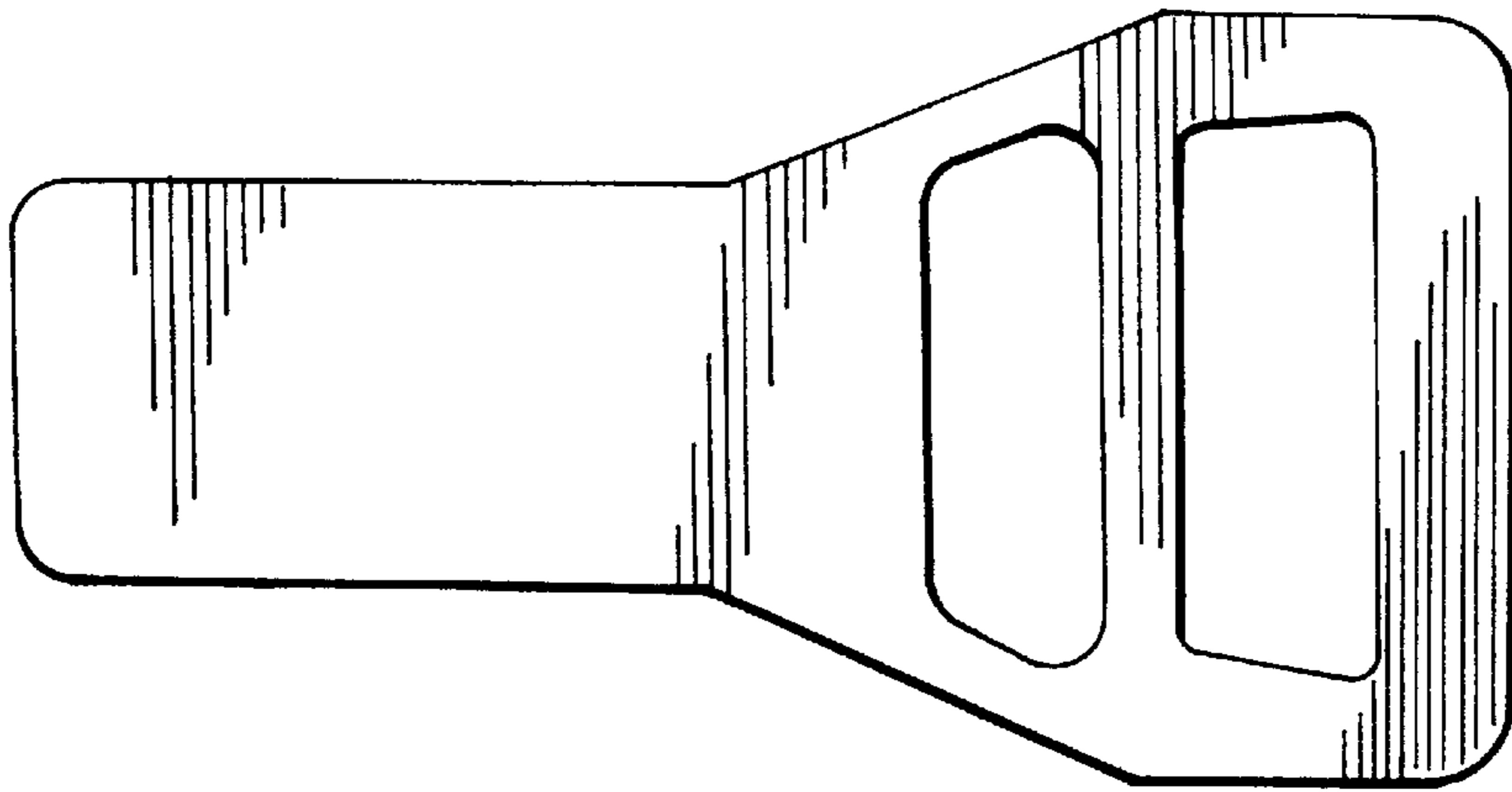


FIG. 4

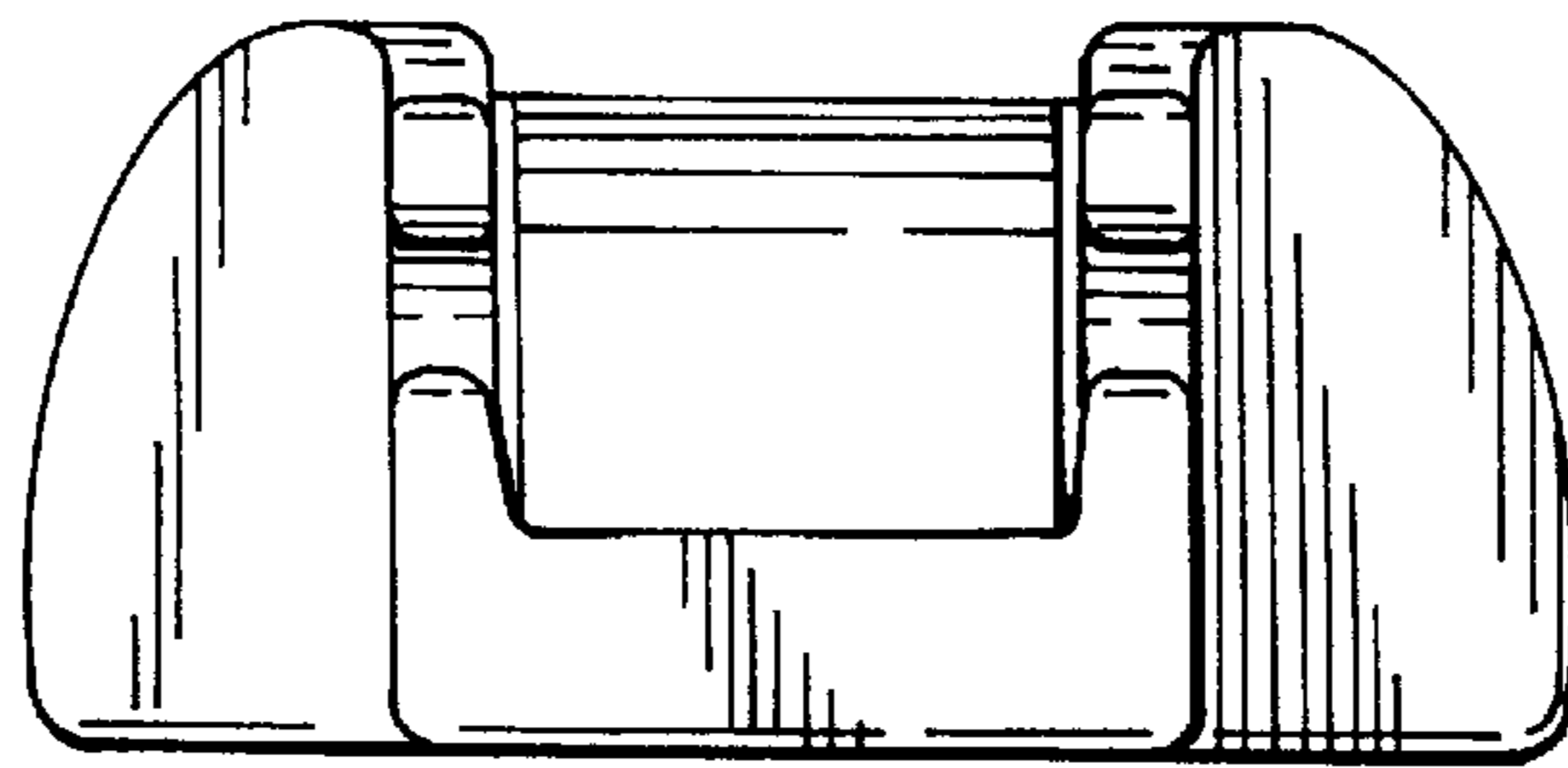


FIG. 5

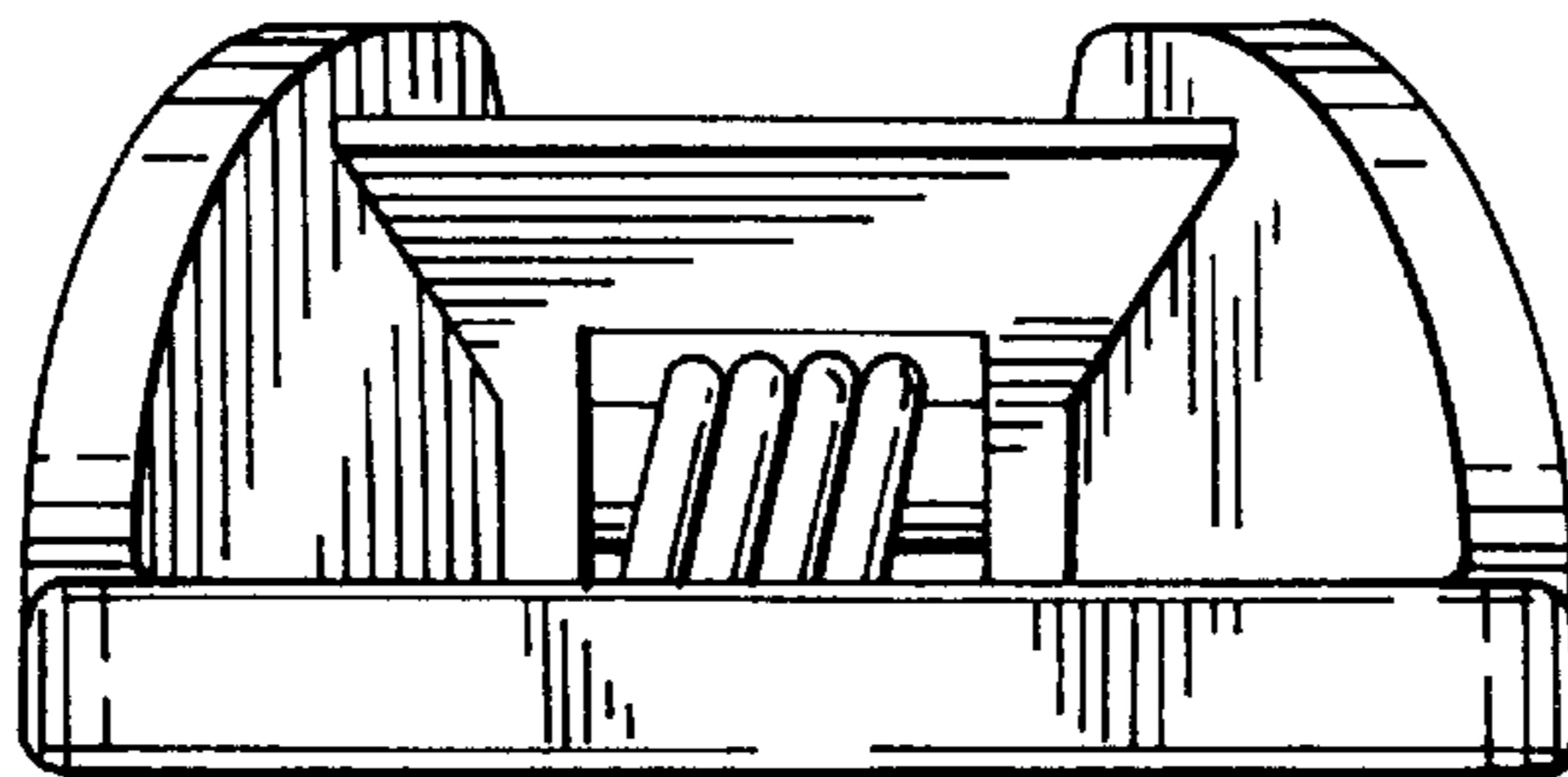


FIG. 6