



US00D489245S

(12) **United States Design Patent**
Brazier et al.

(10) **Patent No.:** **US D489,245 S**

(45) **Date of Patent:** **** May 4, 2004**

(54) **SCREW GUIDE**

(75) Inventors: **Keith Brazier**, Rayleigh (GB); **Tony Rowe**, Twickenham (GB)

(73) Assignee: **Newell Limited** (GB)

(**) Term: **14 Years**

(21) Appl. No.: **29/171,208**

(22) Filed: **Nov. 19, 2002**

(30) **Foreign Application Priority Data**

Jun. 21, 2002 (GB) 3004711

(51) **LOC (7) Cl.** **08-05**

(52) **U.S. Cl.** **D8/354**

(58) **Field of Search** D8/349, 354, 355,
D8/382, 385, 386, 388; 24/297, 305; 70/DIG. 57,
DIG. 60; 81/452, 434; 211/86.01; 411/508,
913, 970, 908, 182

(56) **References Cited**

U.S. PATENT DOCUMENTS

3,574,899 A * 4/1971 Fisher 411/913
4,595,325 A * 6/1986 Moran et al. 411/970
D290,928 S * 7/1987 Strandengen D8/354
D319,173 S * 8/1991 Morita D8/354

5,551,817 A * 9/1996 Kanie 411/508
5,593,262 A * 1/1997 Gedeon et al. 411/913
5,839,332 A * 11/1998 Fujiyama et al. 81/434
6,074,150 A * 6/2000 Shinozaki et al. 411/913
6,095,734 A * 8/2000 Postadan et al. 411/182
6,244,805 B1 * 6/2001 Everard 411/508

* cited by examiner

Primary Examiner—Robert M. Spear

Assistant Examiner—Elizabeth A. Albert

(74) *Attorney, Agent, or Firm*—Carmody & Torrance LLP

(57) **CLAIM**

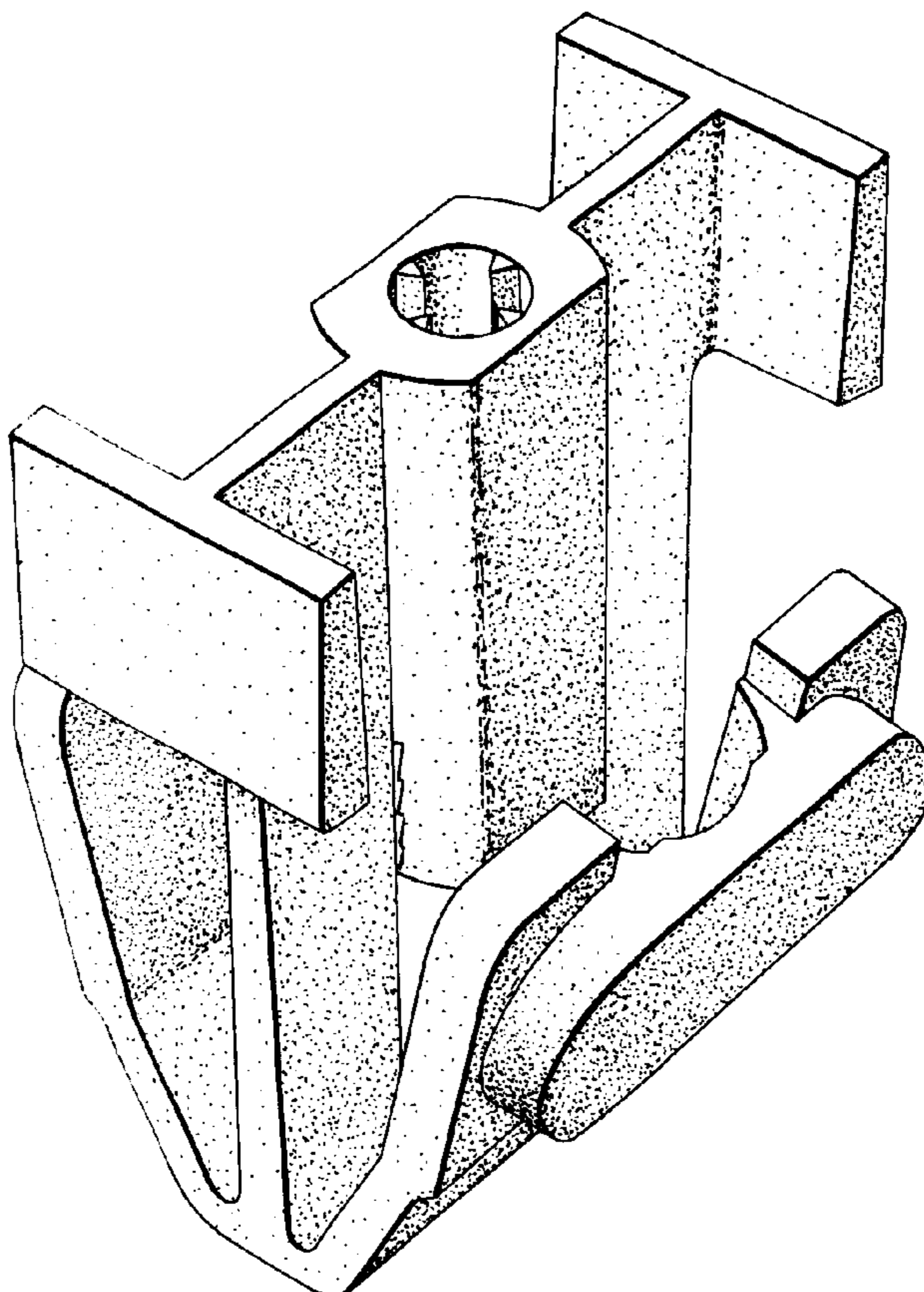
The ornamental design for a screw guide, as shown and described.

DESCRIPTION

FIG. 1 is a perspective view of the screw guide from the front and one side;
FIG. 2 is a plan view from above;
FIG. 3 is a front view, the rear side view being a mirror image thereof; and,
FIG. 4 is a side view, the opposite side view being a mirror image thereof.

The speckled dots are for purposes of shading and form no part of the claimed invention.

1 Claim, 2 Drawing Sheets



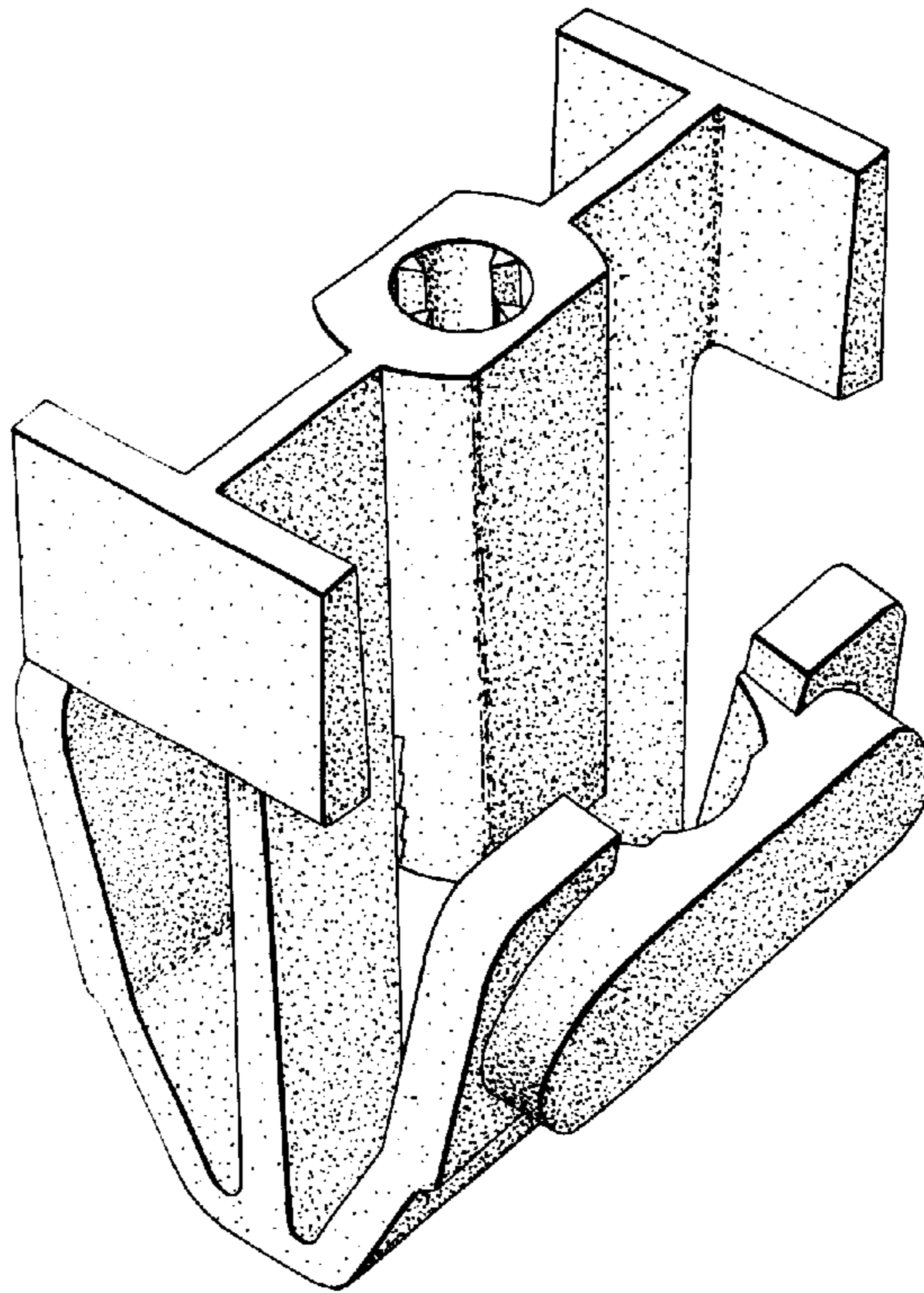


Fig.1.

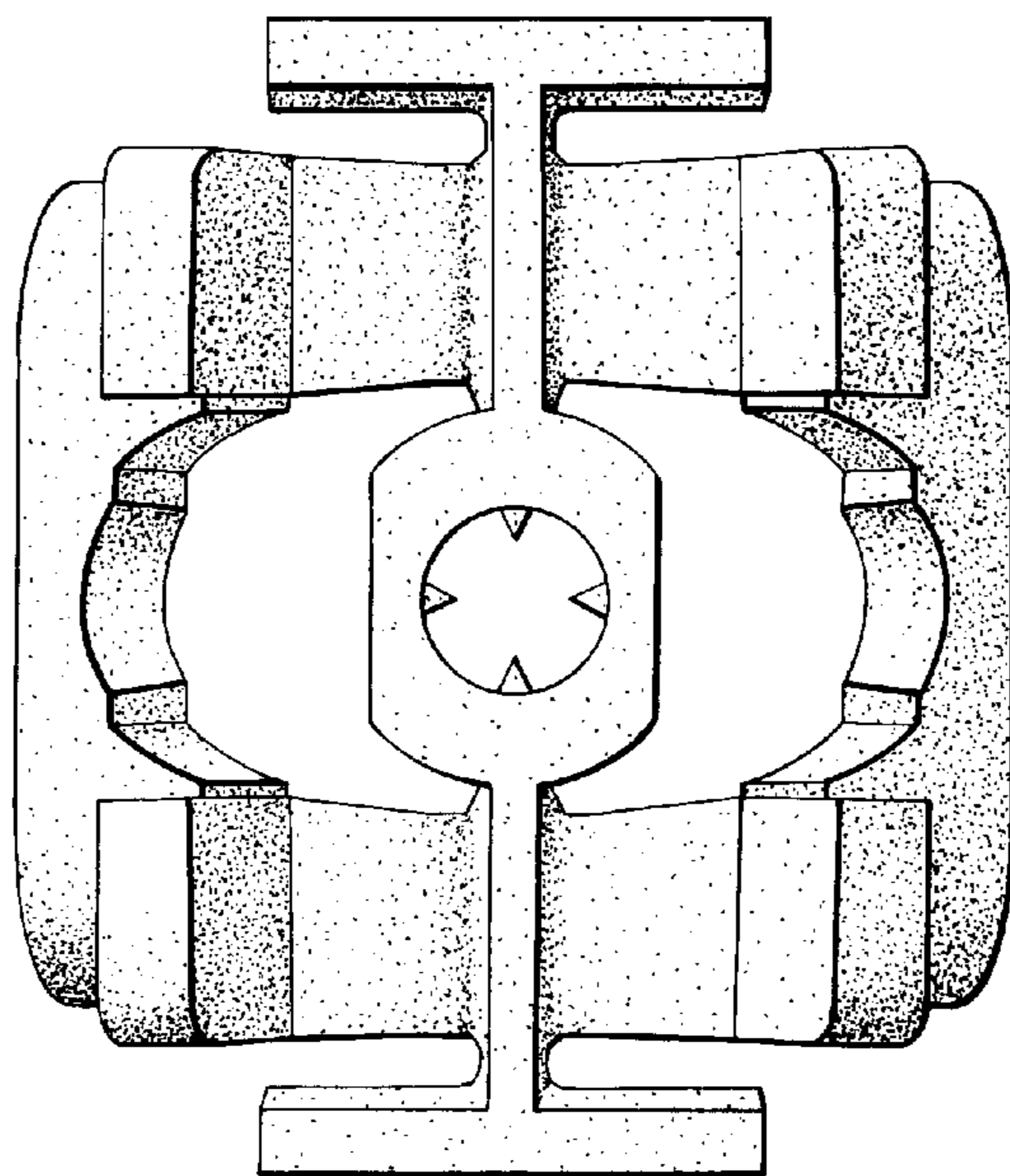


Fig.2.

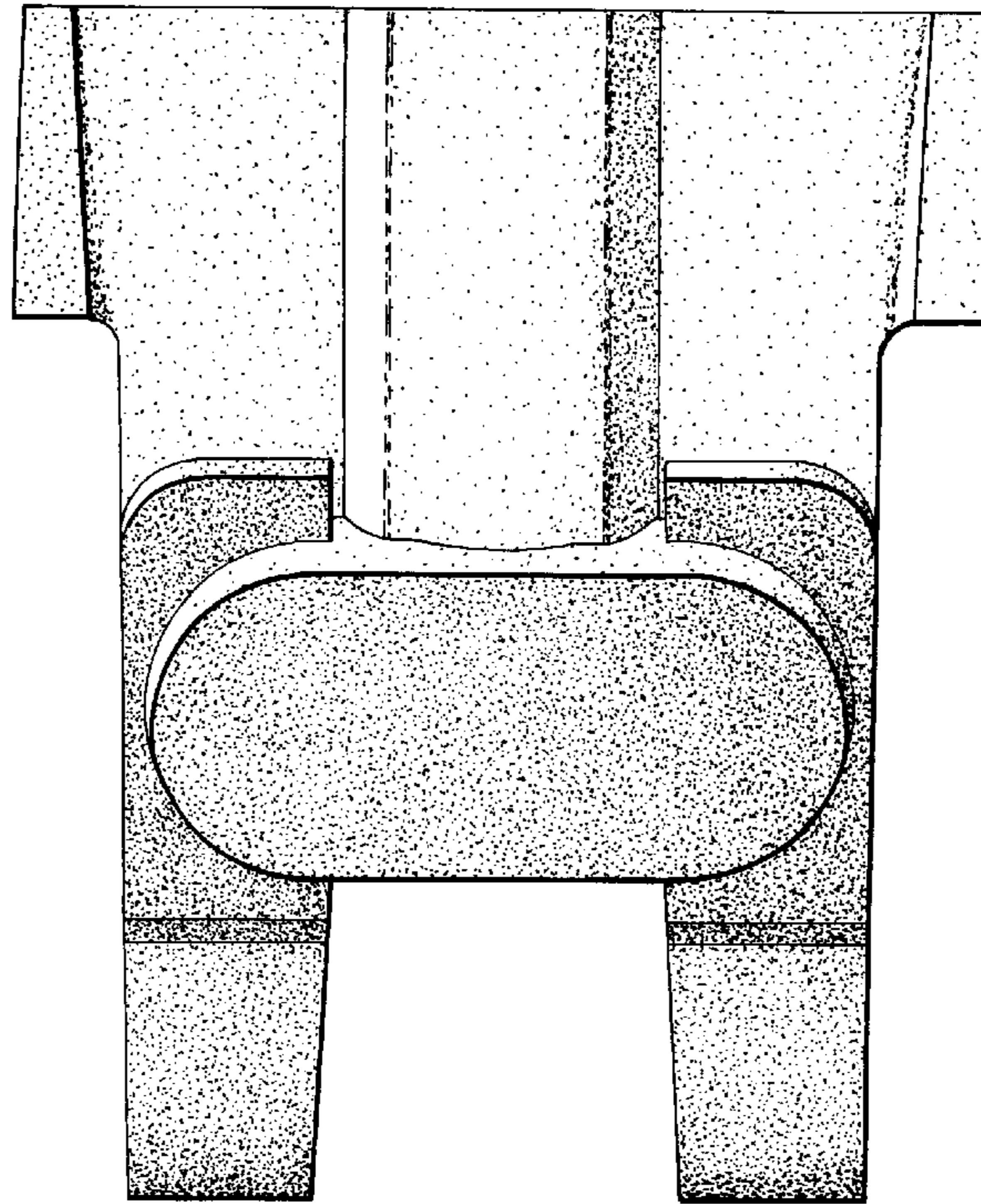


Fig.3.

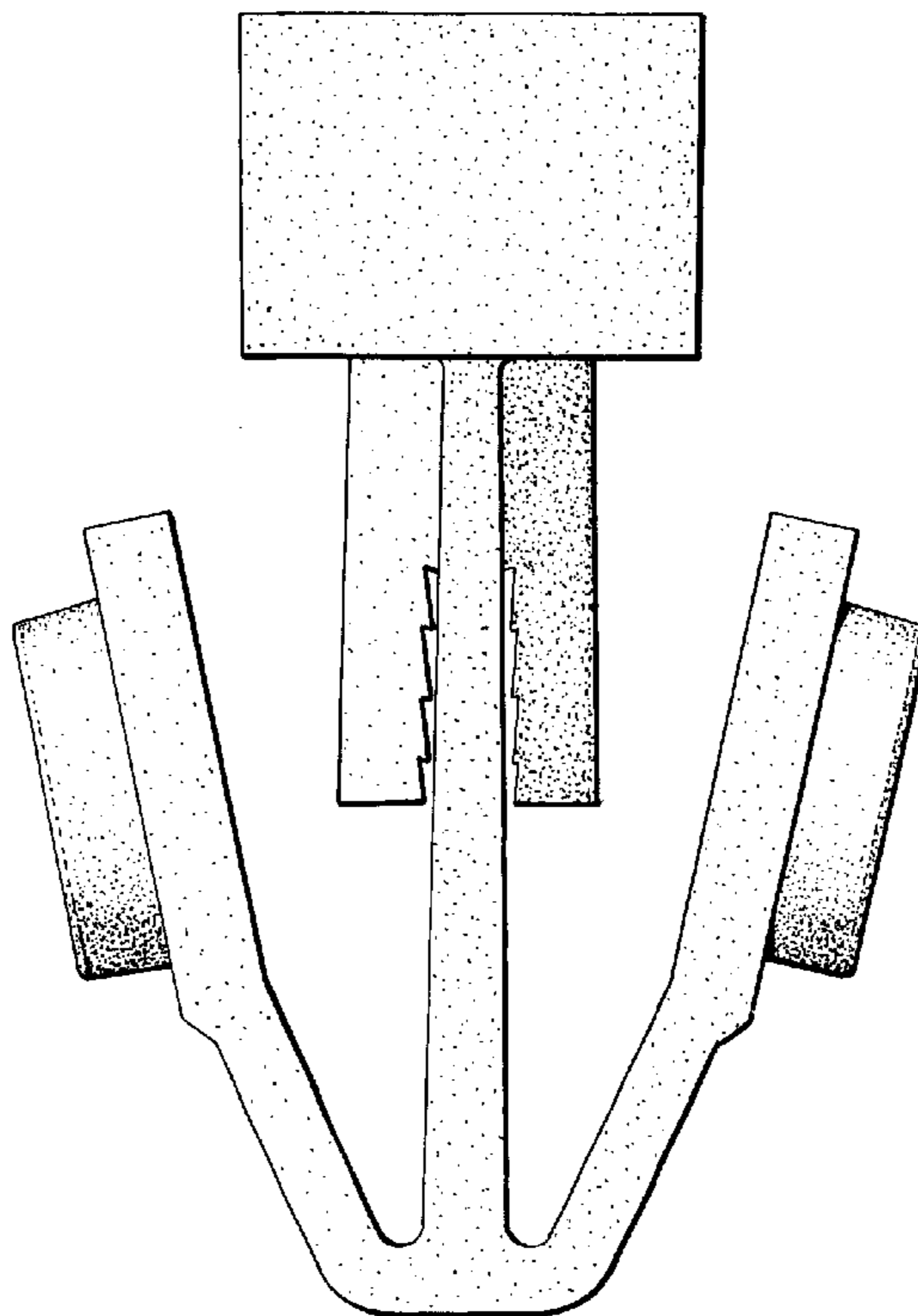


Fig.4.