



US00D489243S

(12) **United States Design Patent**
Thorp

(10) **Patent No.:** **US D489,243 S**

(45) **Date of Patent:** **** May 4, 2004**

(54) **BARREL BOLT**

(76) **Inventor:** **James H. Thorp**, 41 Maplewood Ave.,
Westerly, RI (US) 02891

(**) **Term:** **14 Years**

(21) **Appl. No.:** **29/174,708**

(22) **Filed:** **Jan. 23, 2003**

(51) **LOC (7) Cl.** **08-07**

(52) **U.S. Cl.** **D8/331**

(58) **Field of Search** D8/330, 331, 339-342,
D8/343; 70/86, 107-111, 114, 118, 124,
128, 129, 141, 145, 487, 229, DIG. 79,
DIG. 69; 292/2, 4-7, 16, 32, 57, 137

(56) **References Cited**

U.S. PATENT DOCUMENTS

D180,520 S	*	6/1957	Lindop	D8/339
D242,322 S	*	11/1976	Miles	D8/339
D250,390 S	*	11/1978	Miller et al.	D8/339
D267,698 S	*	1/1983	Domes	D8/339
D294,454 S	*	3/1988	Loudenslager	D8/339
4,793,100 A	*	12/1988	Harding et al.	292/145
D351,984 S	*	11/1994	Victor	D8/331
5,603,184 A	*	2/1997	Campbell et al.	292/145
5,868,015 A	*	2/1999	Eaker	D8/341 X
D441,271 S	*	5/2001	Uter	D8/331

* cited by examiner

Primary Examiner—Prabhakar Deshmukh
(74) Attorney, Agent, or Firm—McCormick, Paulding &
Huber LLP

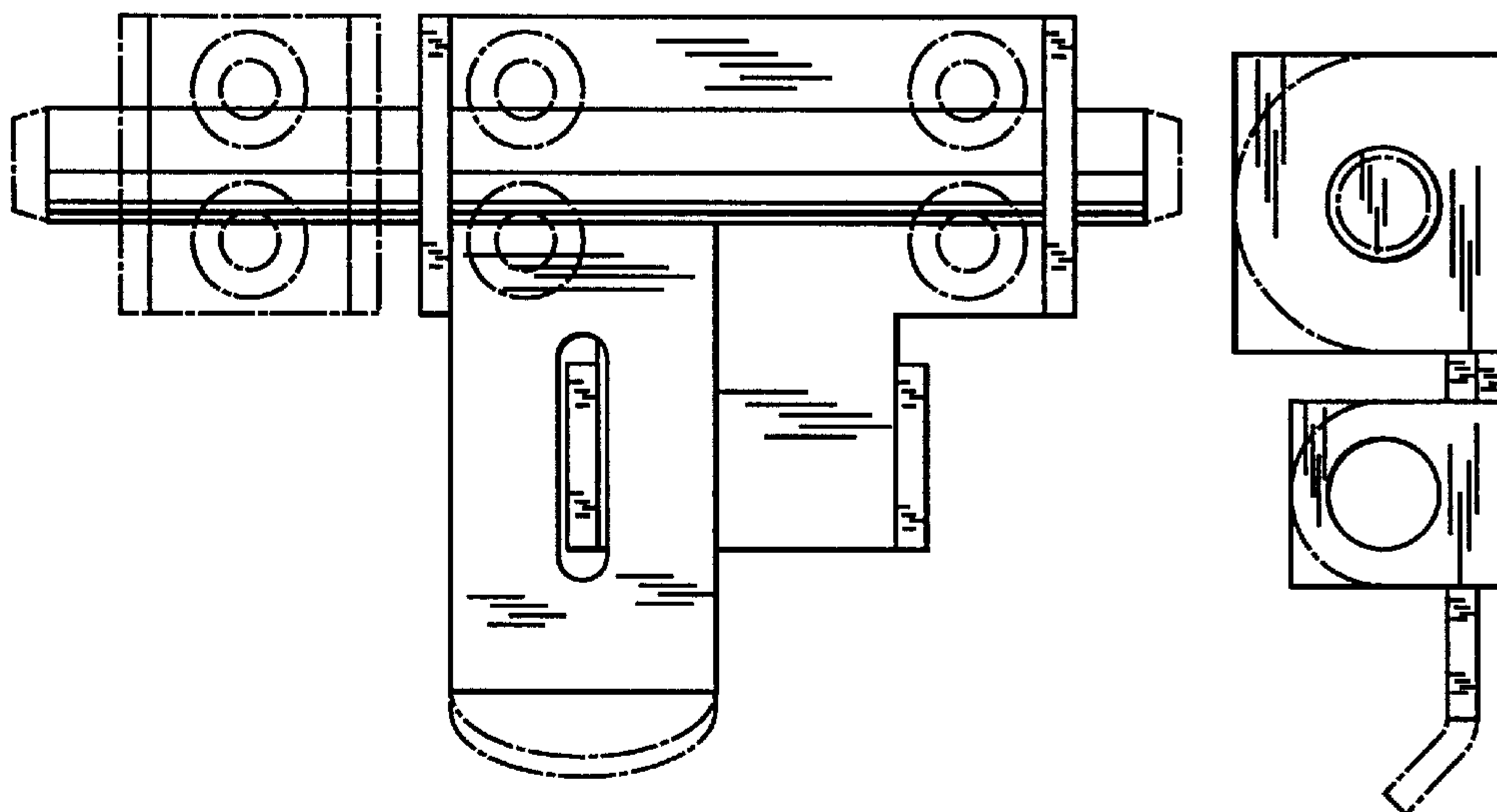
(57) **CLAIM**

The ornamental design for a barrel bolt, as shown and described.

DESCRIPTION

FIG. 1 is a top plan view of a device configured in accordance with the present invention;
FIG. 2 is a front elevational view of the device of FIG. 1;
FIG. 3 is a bottom plan view of the device of FIG. 1;
FIG. 4 is a rear elevational view of the device of FIG. 1;
FIG. 5 is a right side elevational view of the device of FIG. 1;
FIG. 6 is a left side elevational view of the device of FIG. 1;
FIG. 7 is a top plan view of another embodiment of a device configured in accordance with the present invention;
FIG. 8 is a front elevational view of the device of FIG. 7;
FIG. 9 is a bottom plan view of the device of FIG. 7;
FIG. 10 is a rear elevational view of the device of FIG. 7;
FIG. 11 is a right side elevational view of the device of FIG. 7; and,
FIG. 12 is a left side elevational view of the device of FIG. 7.
The broken lines shown in FIGS. 1-12 are for illustrative purposes only and form no part of the claimed design.

1 Claim, 2 Drawing Sheets



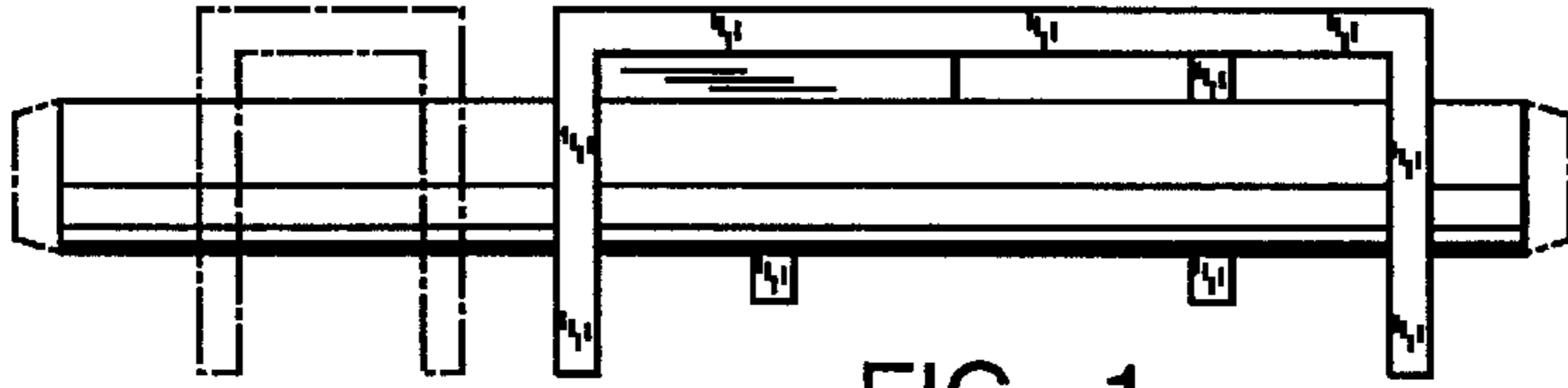


FIG. 1

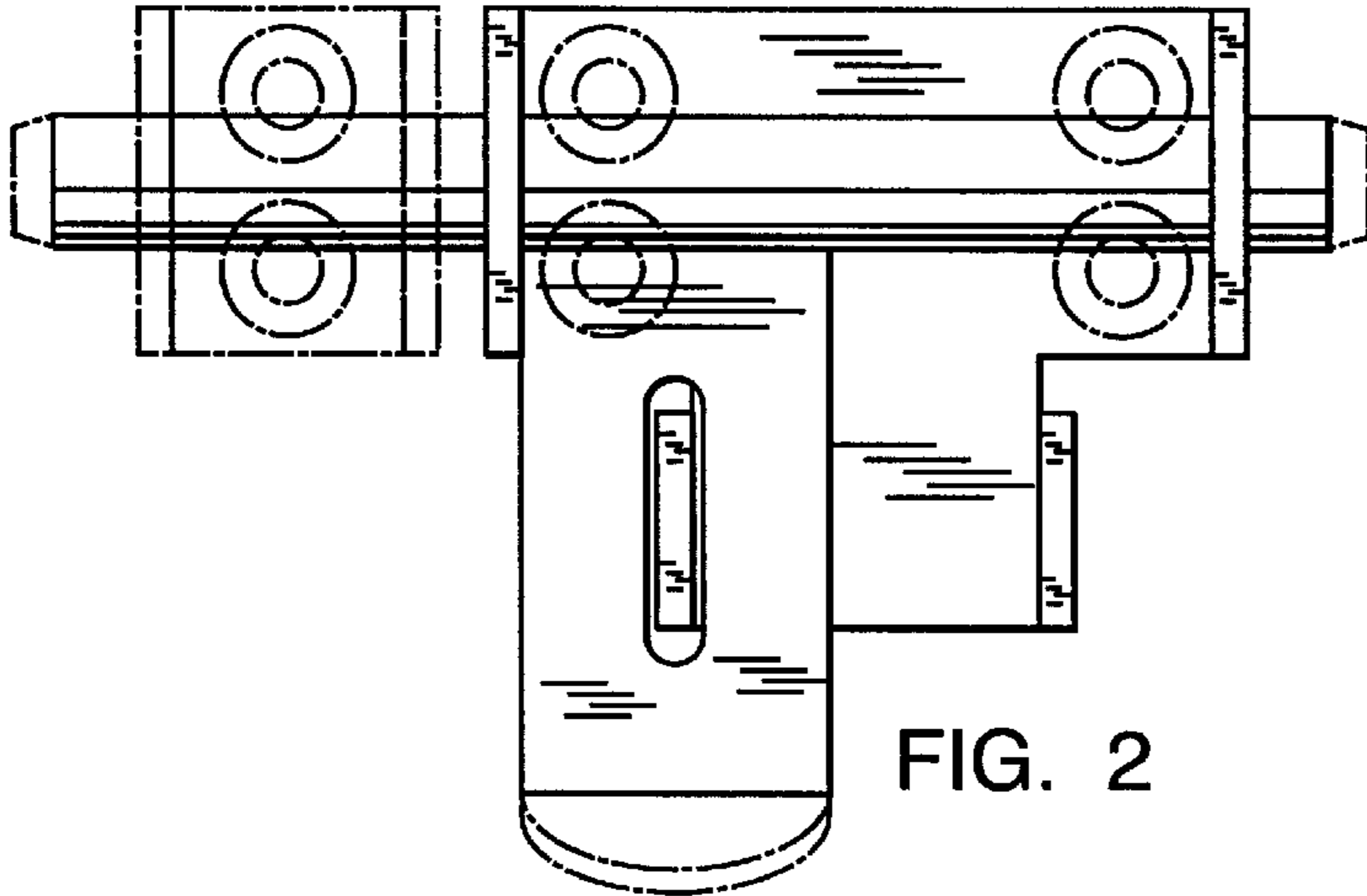


FIG. 2

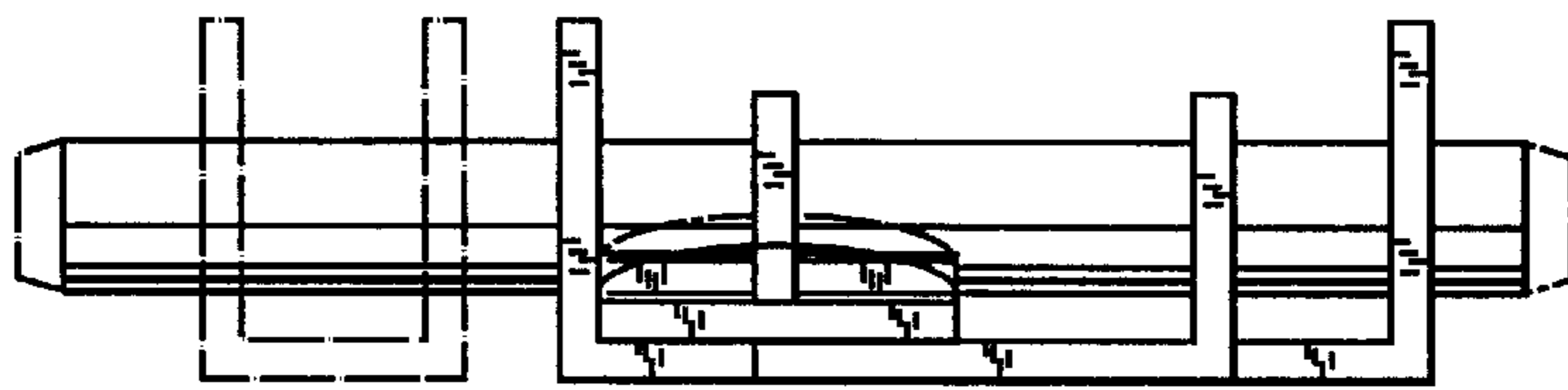


FIG. 3

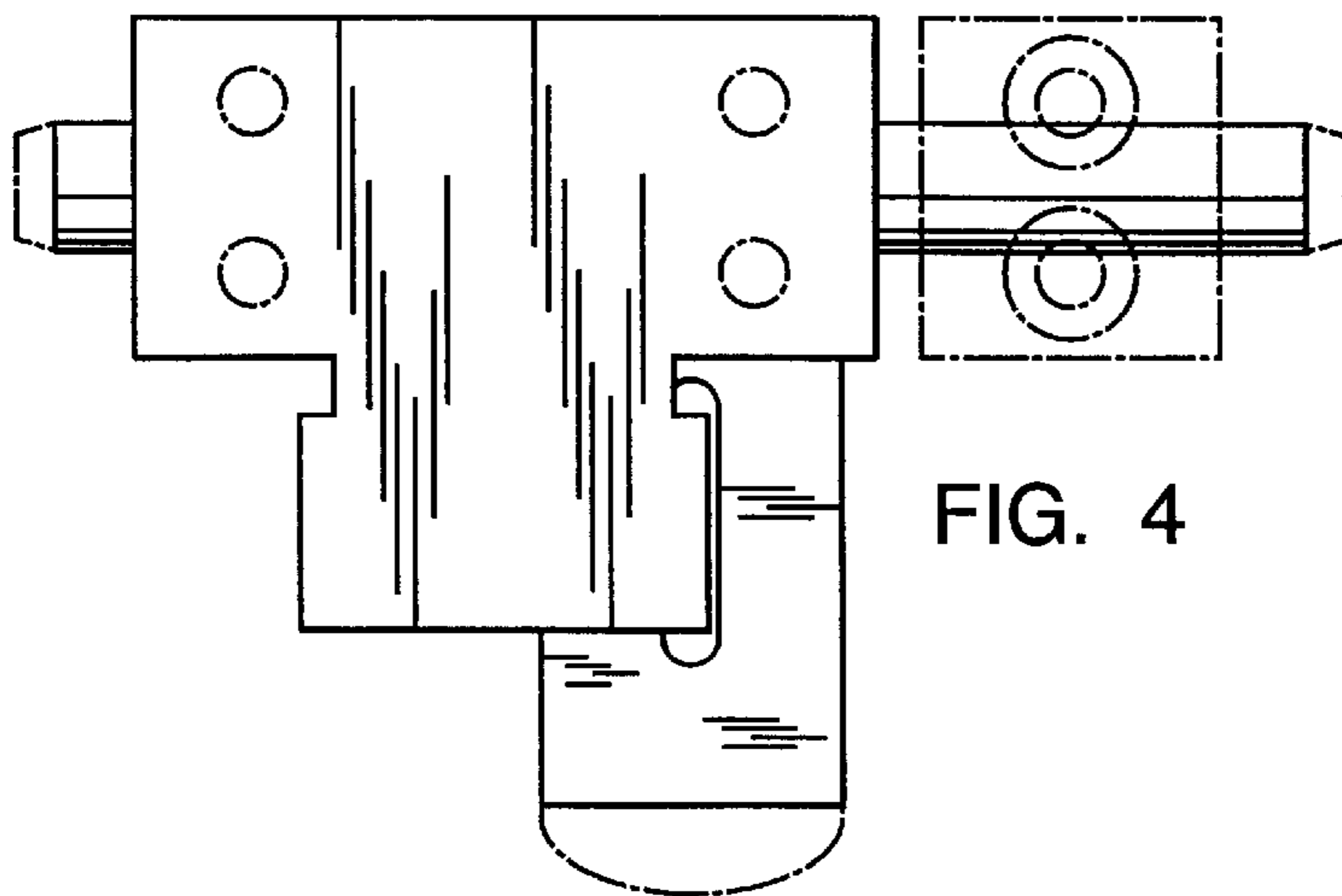


FIG. 4

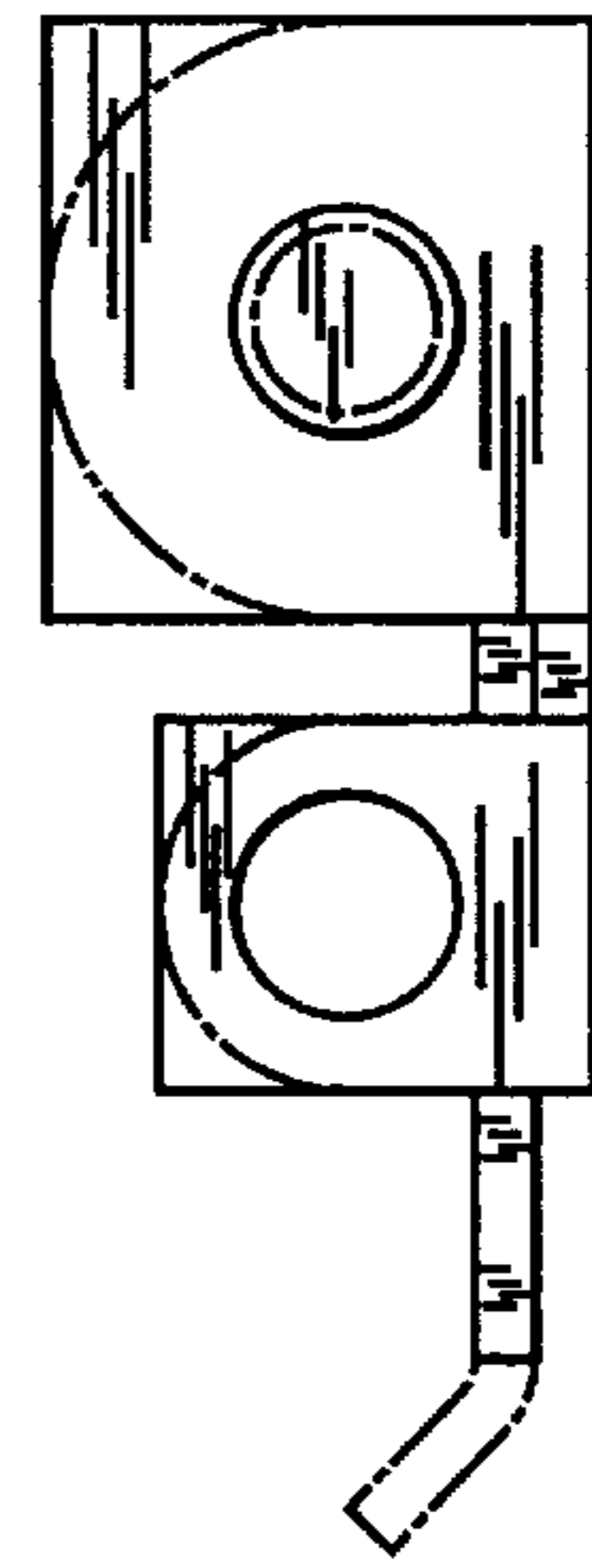


FIG. 5

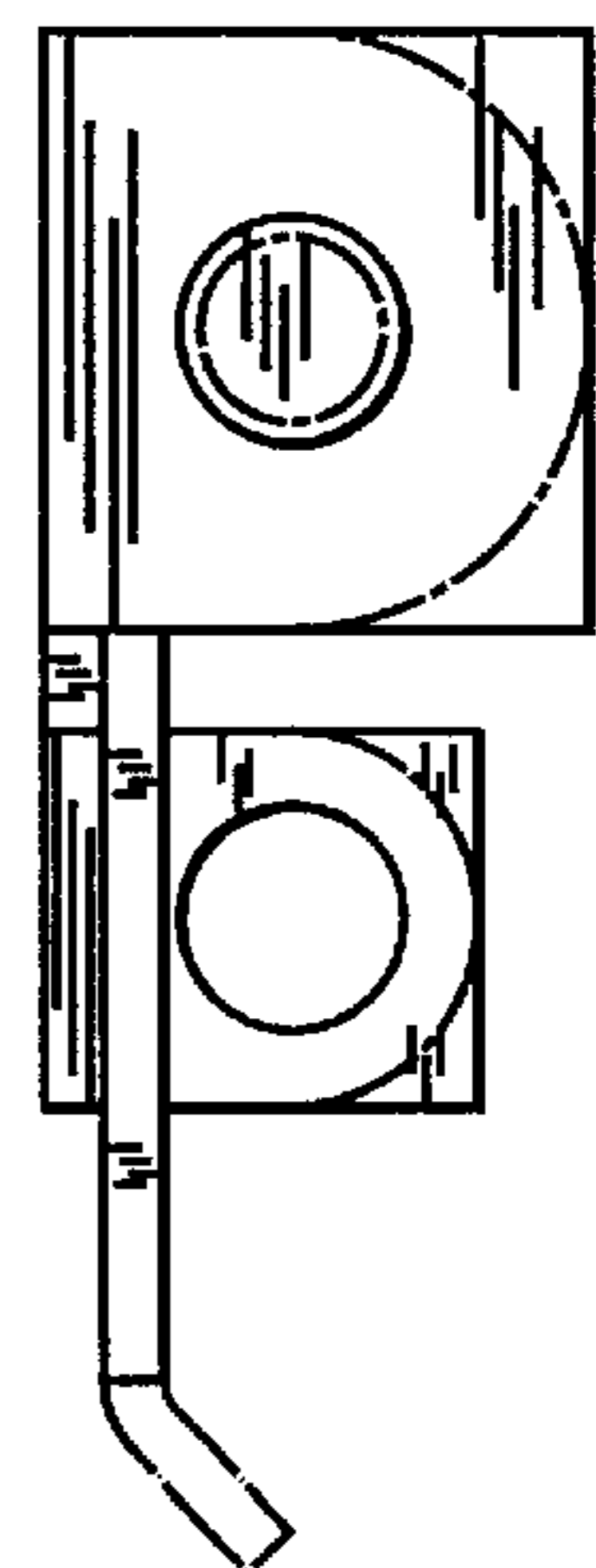


FIG. 6

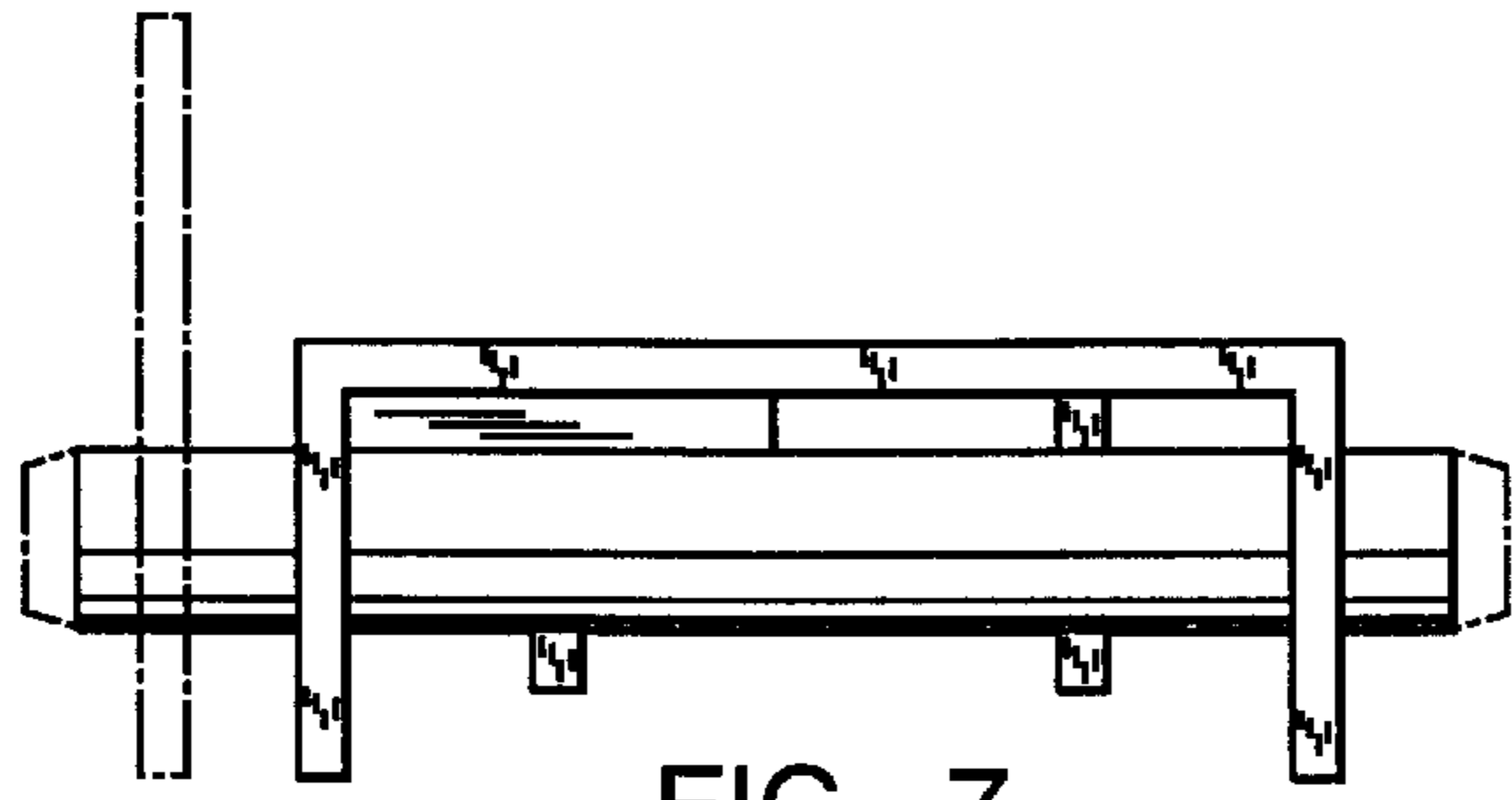


FIG. 7

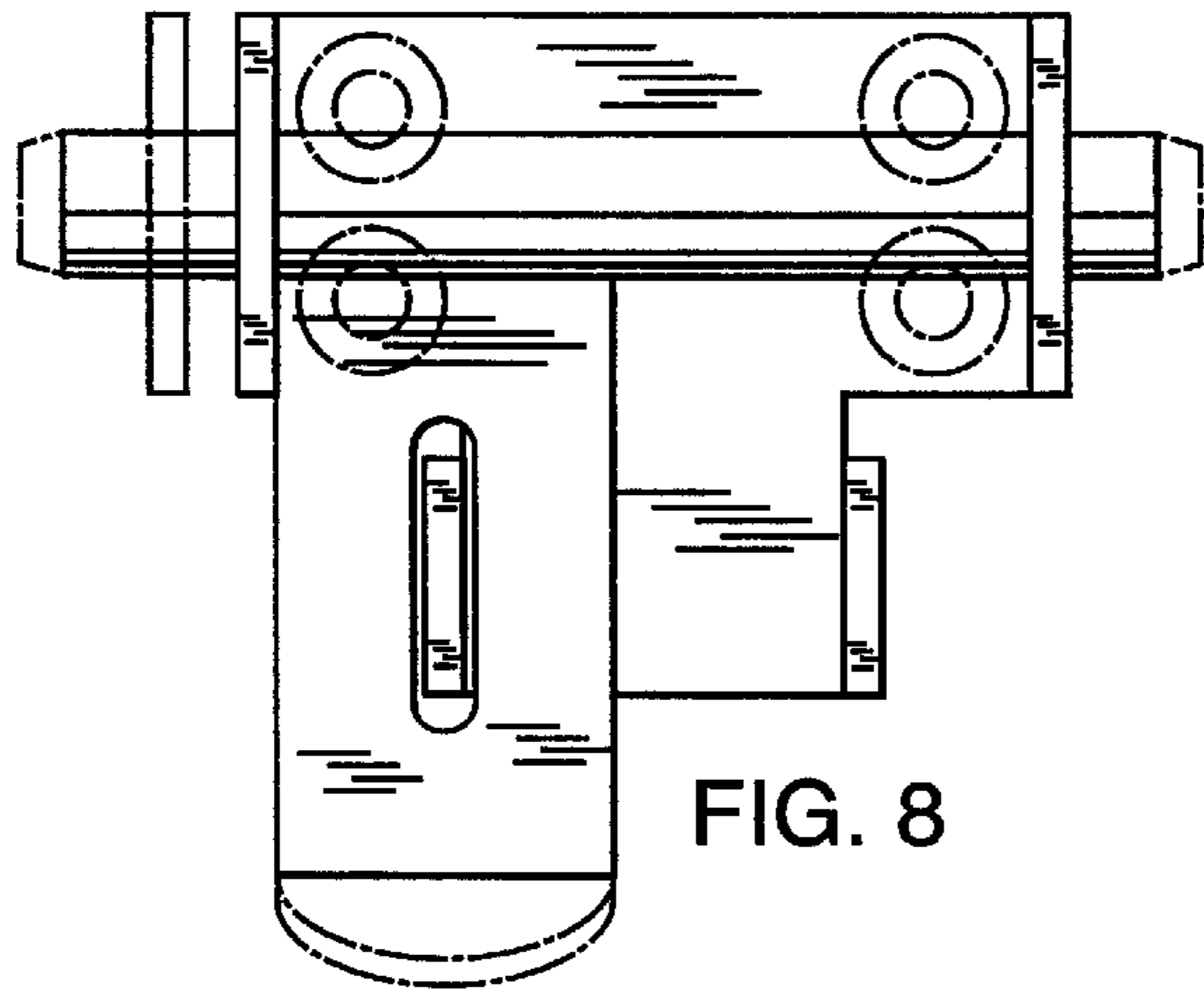


FIG. 8

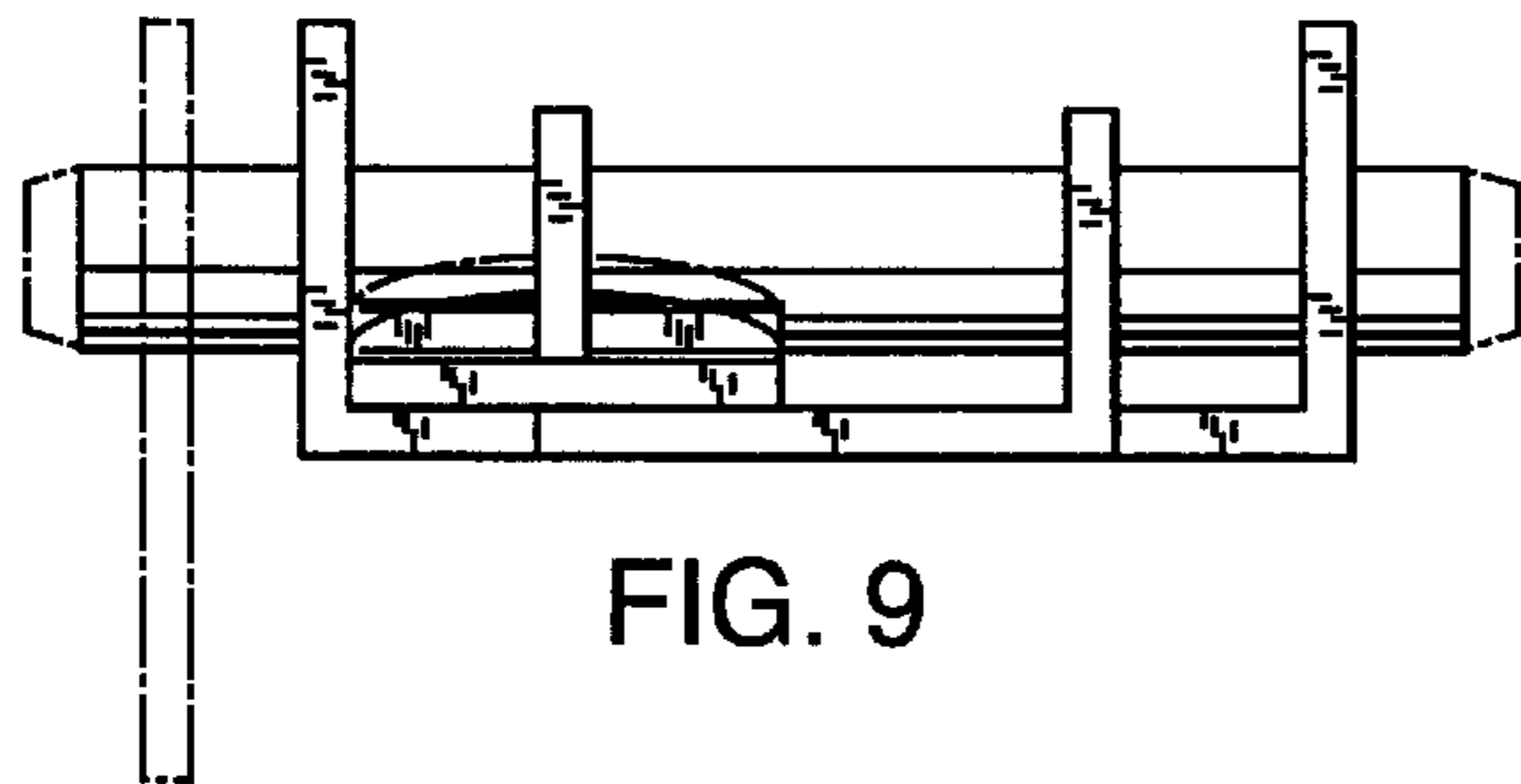


FIG. 9

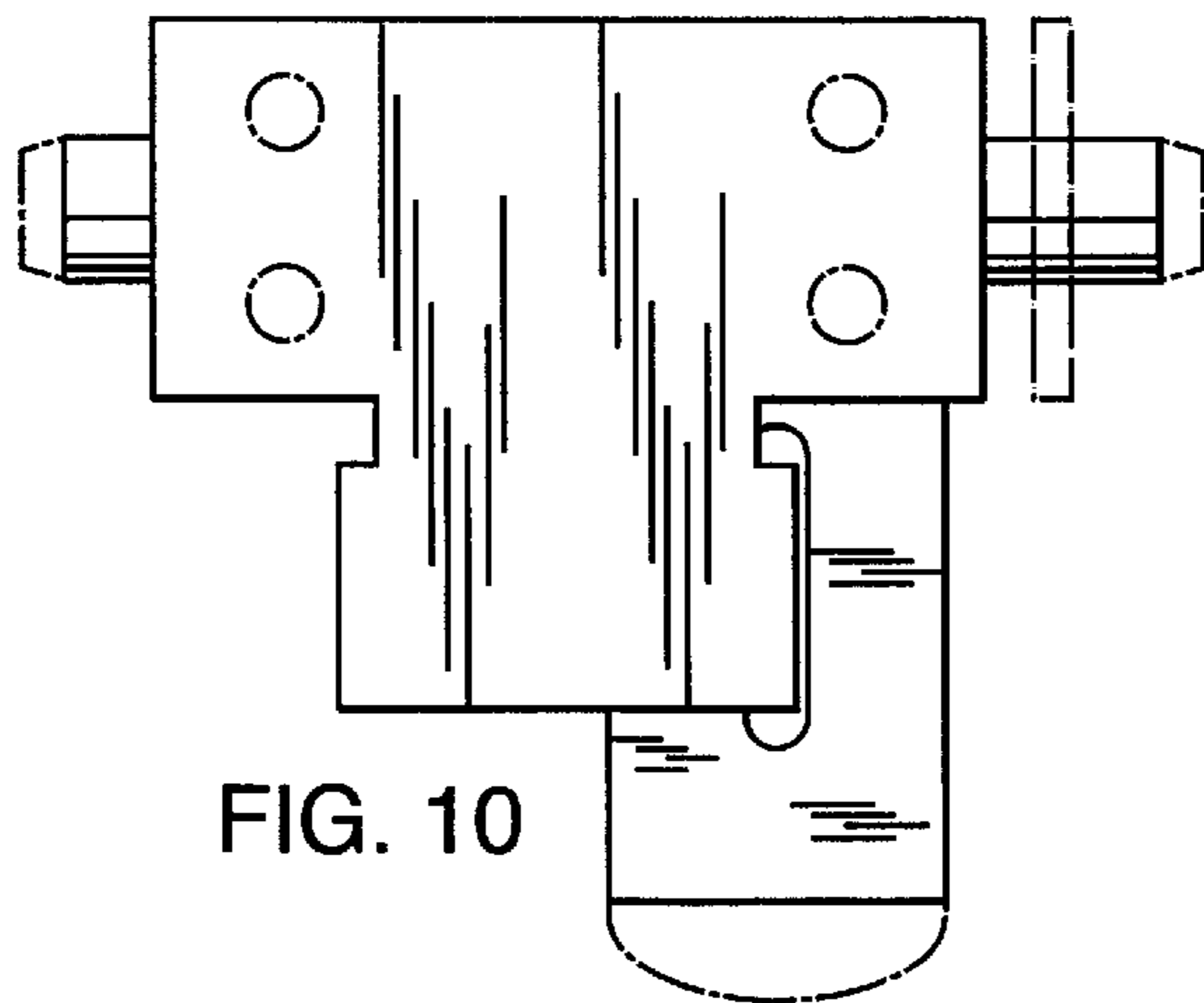


FIG. 10

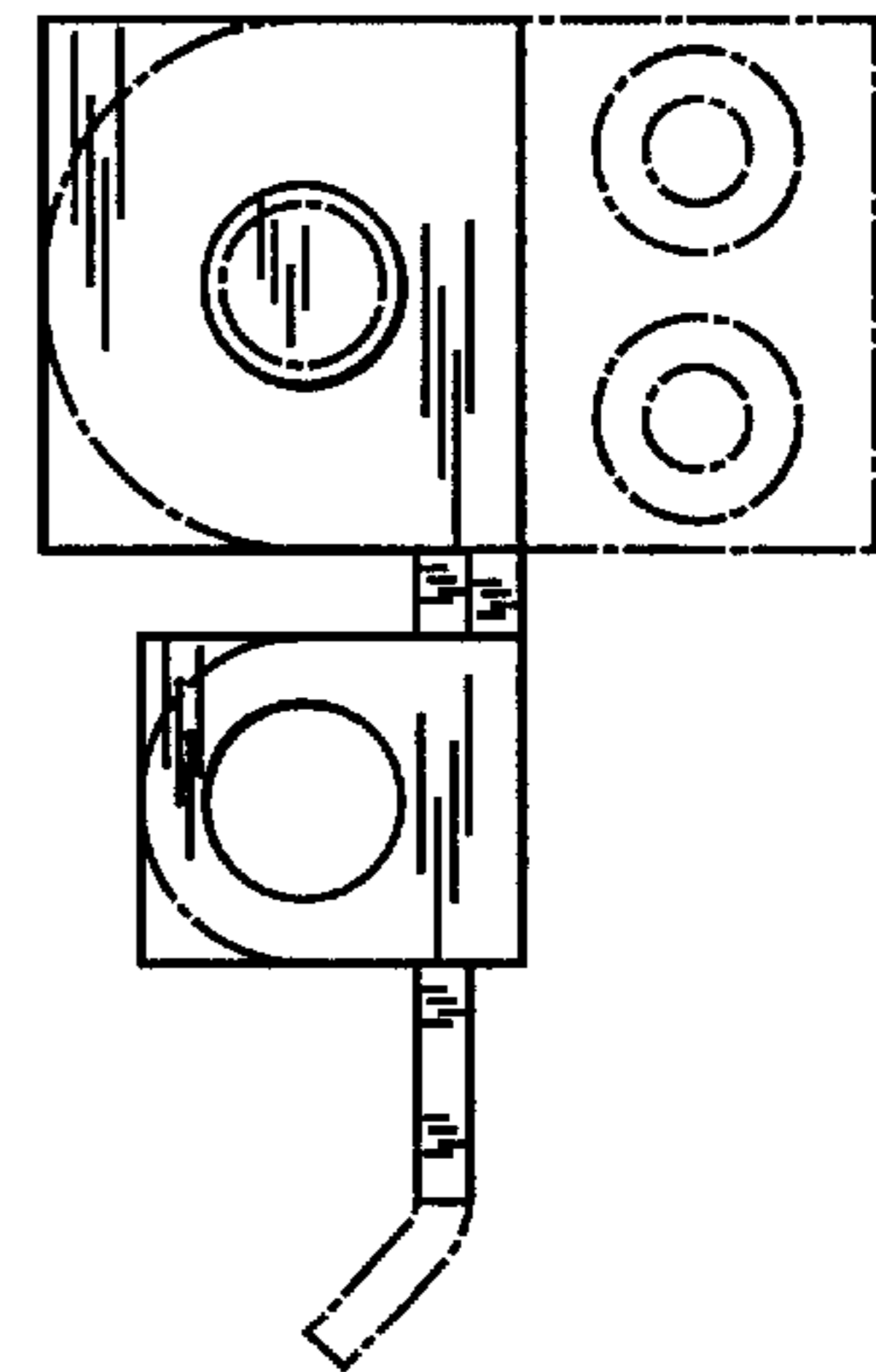


FIG. 11

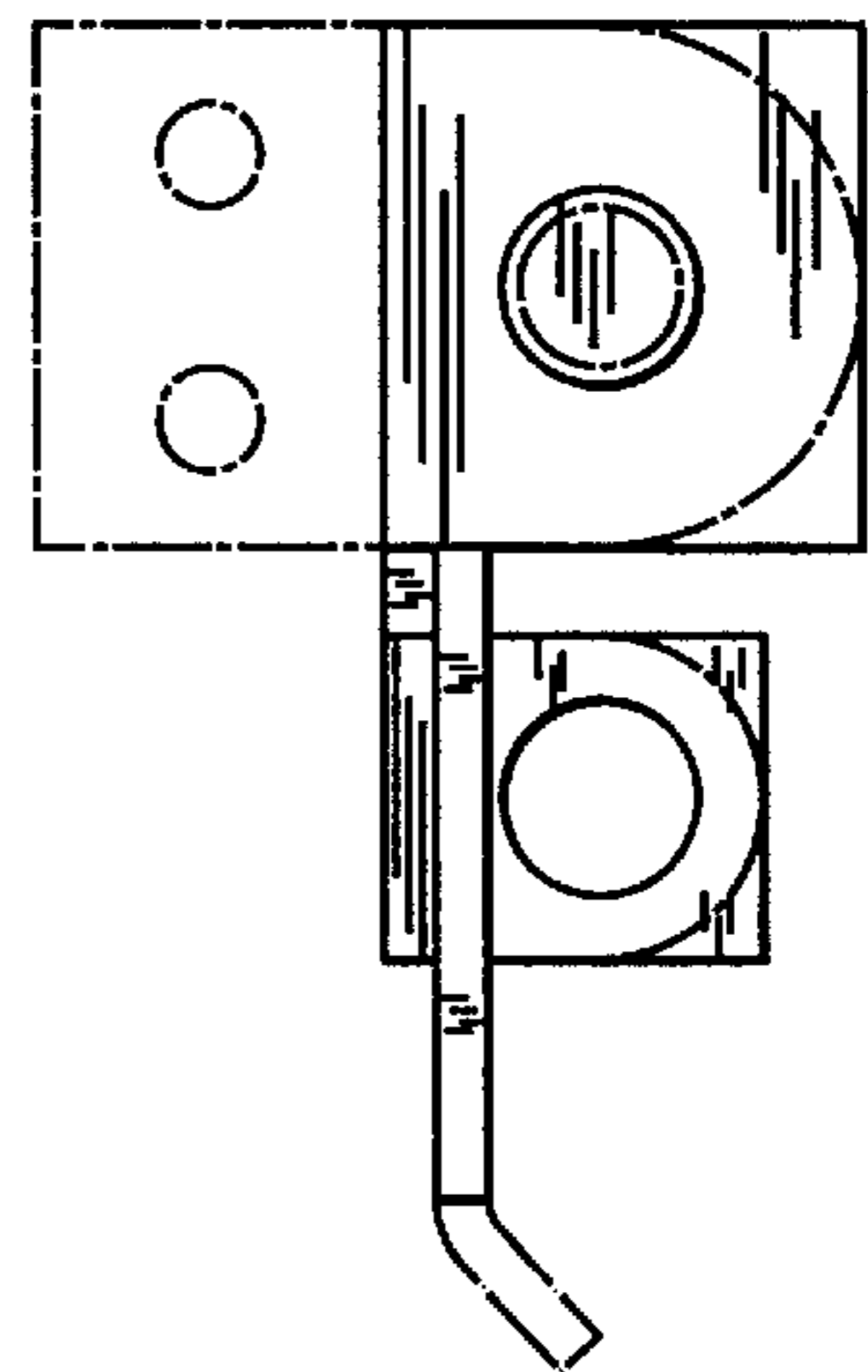


FIG. 12