



US00D489242S

(12) **United States Design Patent**
Snider

(10) **Patent No.:** **US D489,242 S**

(45) **Date of Patent:** **** May 4, 2004**

(54) **FRONT PILLAR FOR A HACKSAW**

(75) Inventor: **Gregory Scott Snider**, Bel Air, MD
(US)

(73) Assignee: **Black & Decker Inc.**, Newark, DE
(US)

(**) Term: **14 Years**

(21) Appl. No.: **29/159,269**

(22) Filed: **Apr. 18, 2002**

(51) **LOC (7) Cl.** **08-03**

(52) **U.S. Cl.** **D8/96**

(58) **Field of Search** D8/95, 96, 97,
D8/98

(56) **References Cited**

U.S. PATENT DOCUMENTS

D245,754 S	*	9/1977	Breger	D8/96
D276,407 S	*	11/1984	Jacoff	D8/96
D318,006 S	*	7/1991	Wanner et al.	D8/96
5,074,002 A	*	12/1991	Huang	7/149
5,388,333 A	*	2/1995	Chen	30/508
5,722,173 A	*	3/1998	Huang	30/510
5,768,788 A	*	6/1998	Arnold	30/513
6,070,330 A	*	6/2000	Phelon et al.	30/513
6,134,791 A	*	10/2000	Huang	30/513

* cited by examiner

Primary Examiner—Philip S. Hyder
(74) *Attorney, Agent, or Firm*—Harness, Dickey & Pierce,
P.L.C.

(57) **CLAIM**

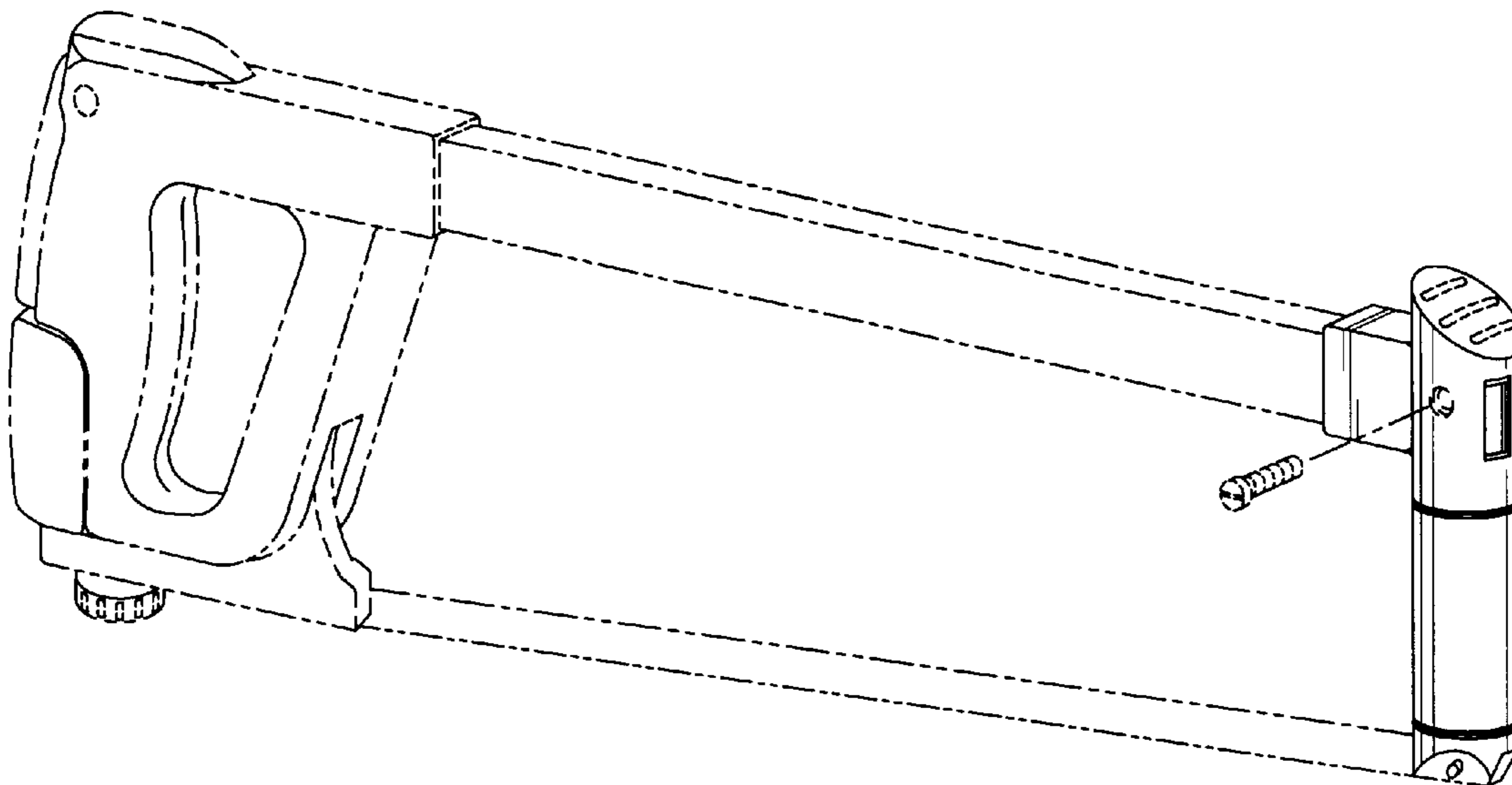
The ornamental design for a front pillar of a hacksaw, as shown and described.

DESCRIPTION

FIG. 1 is a left side perspective view of my new design;
FIG. 2 is a left side elevational view of the front pillar of FIG. 1;
FIG. 3 is a front elevational view of the front pillar of FIG. 1;
FIG. 4 is a top plan view of the front pillar of FIG. 1;
FIG. 5 is a rear elevational view of the front pillar of FIG. 1;
FIG. 6 is a bottom plan view of the front pillar of FIG. 1;
and,
FIG. 7 is a right side elevational view of the front pillar of FIG. 1.

The broken lines showing the outline of a hacksaw frame, screw and blade in FIG. 1 and of the hole for receiving the screw that secures the front pillar to the hacksaw frame in FIGS. 2, 3 and 5 are environmental only and form no part of the claimed design.

1 Claim, 2 Drawing Sheets



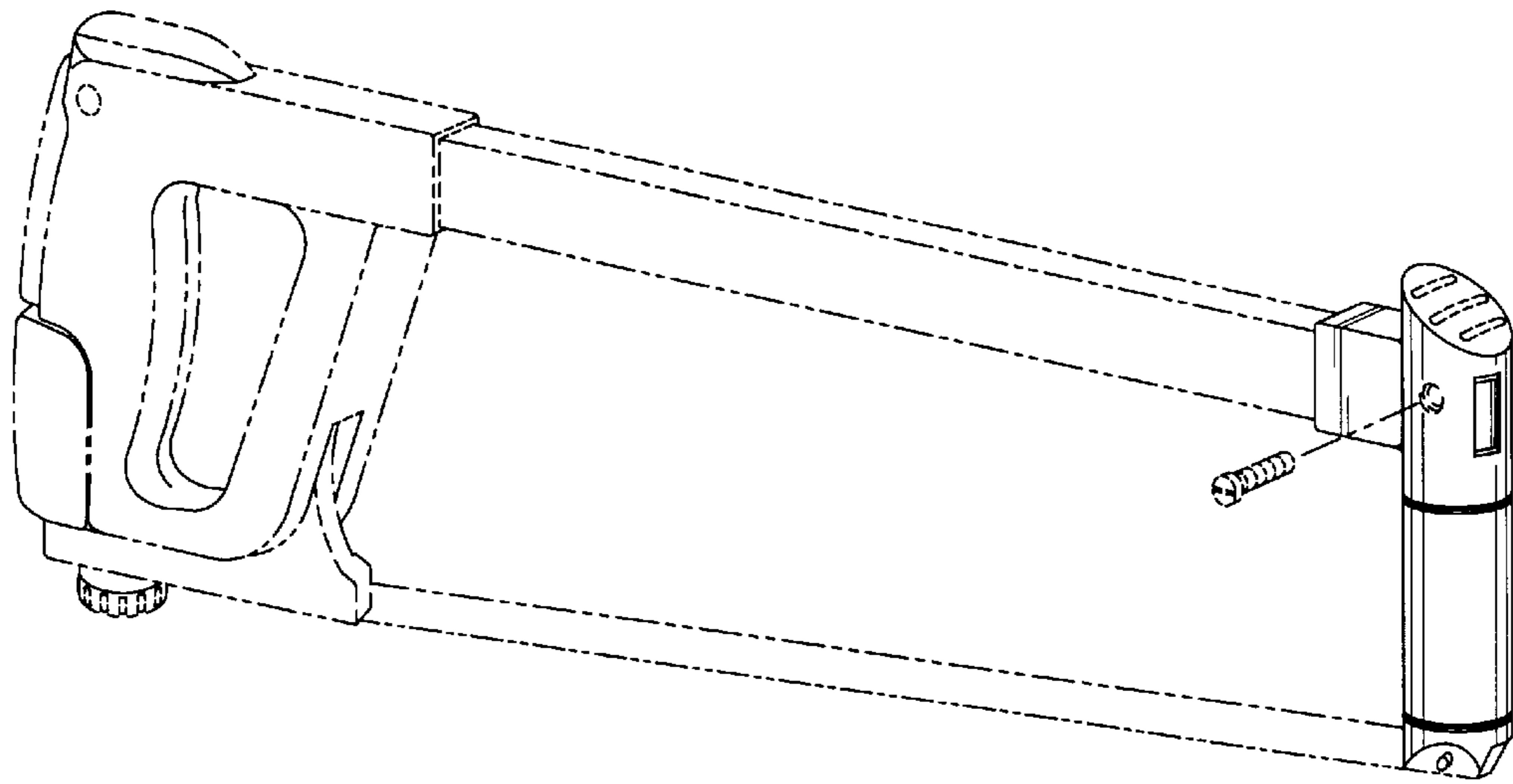


Fig-1

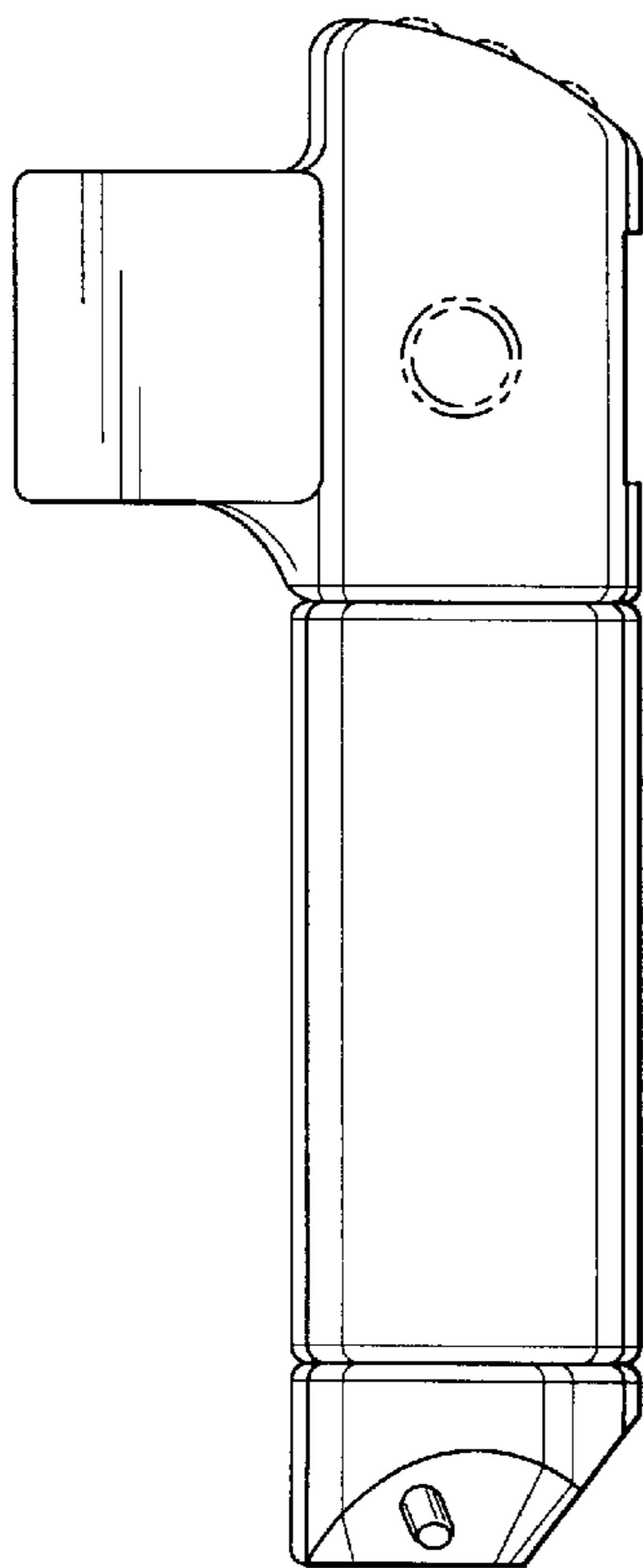


Fig-2

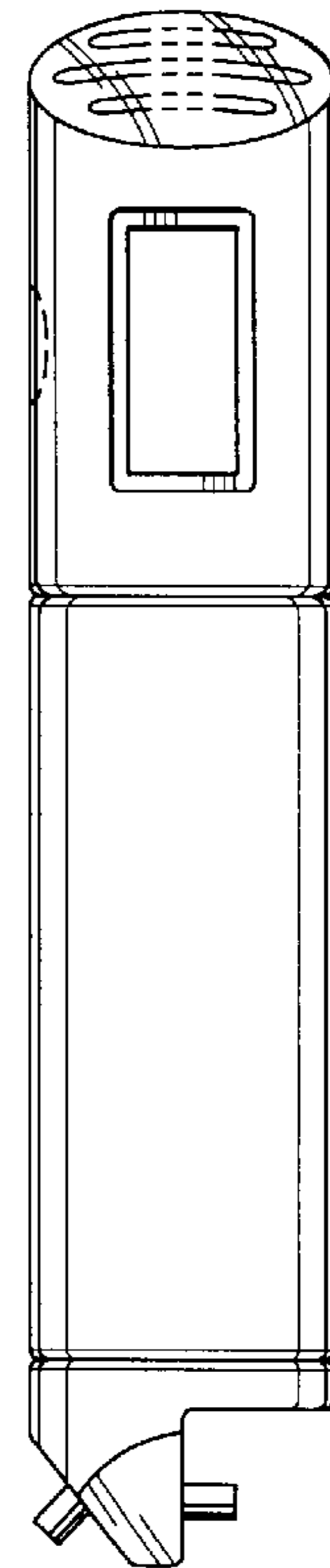


Fig-3

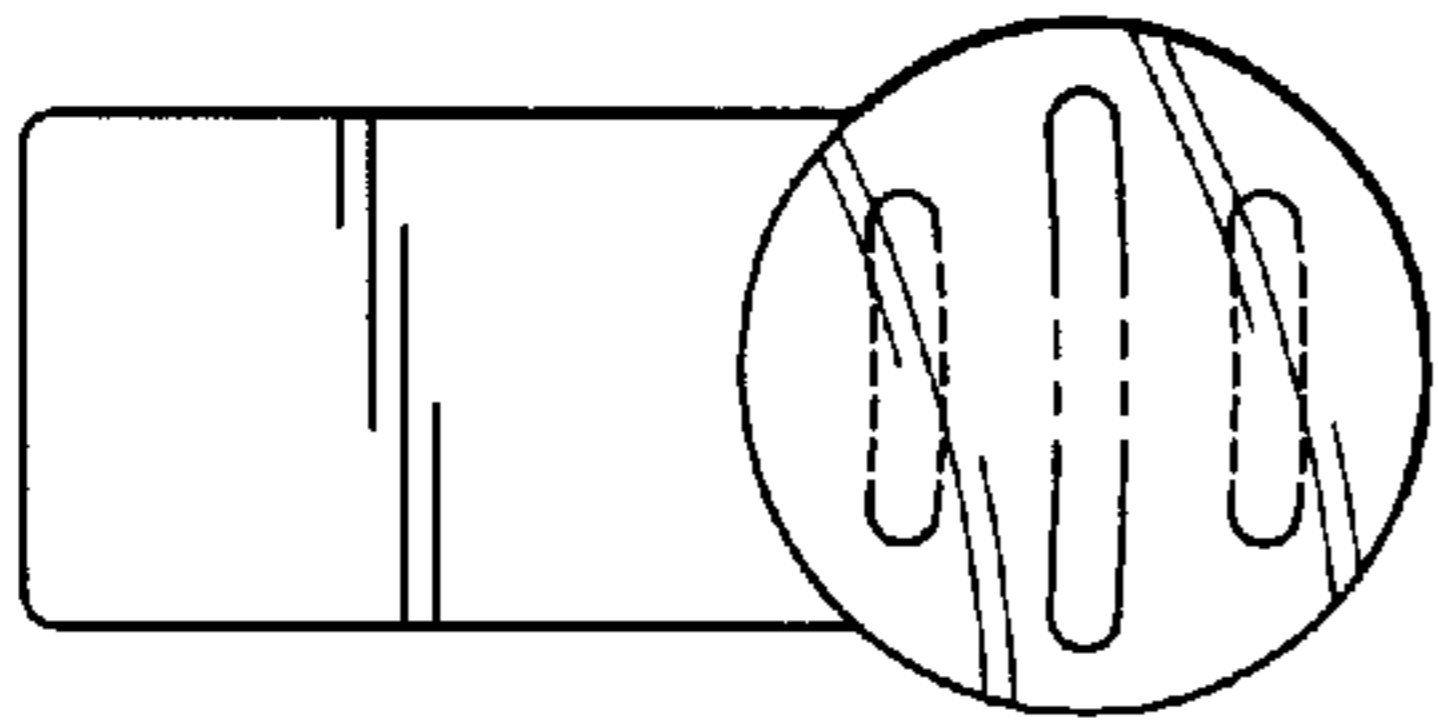


Fig-4

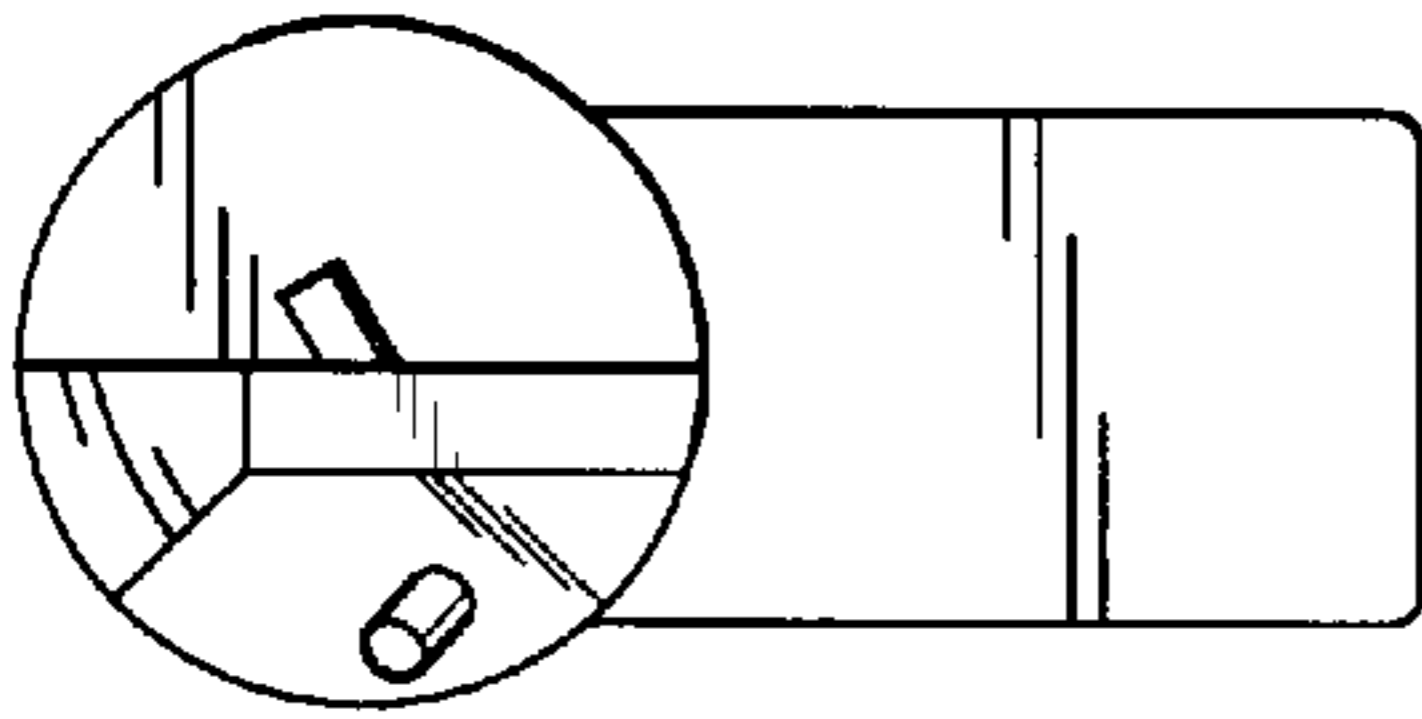


Fig-6

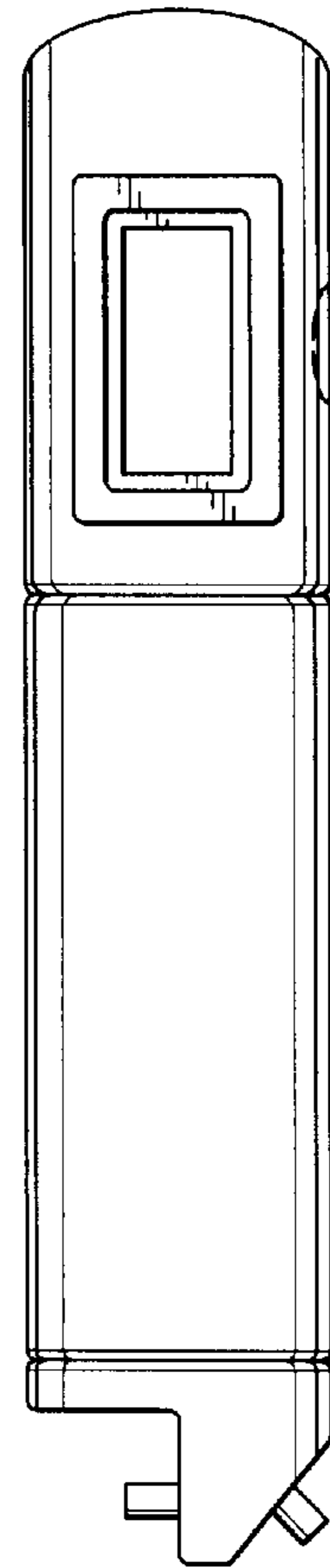


Fig-5

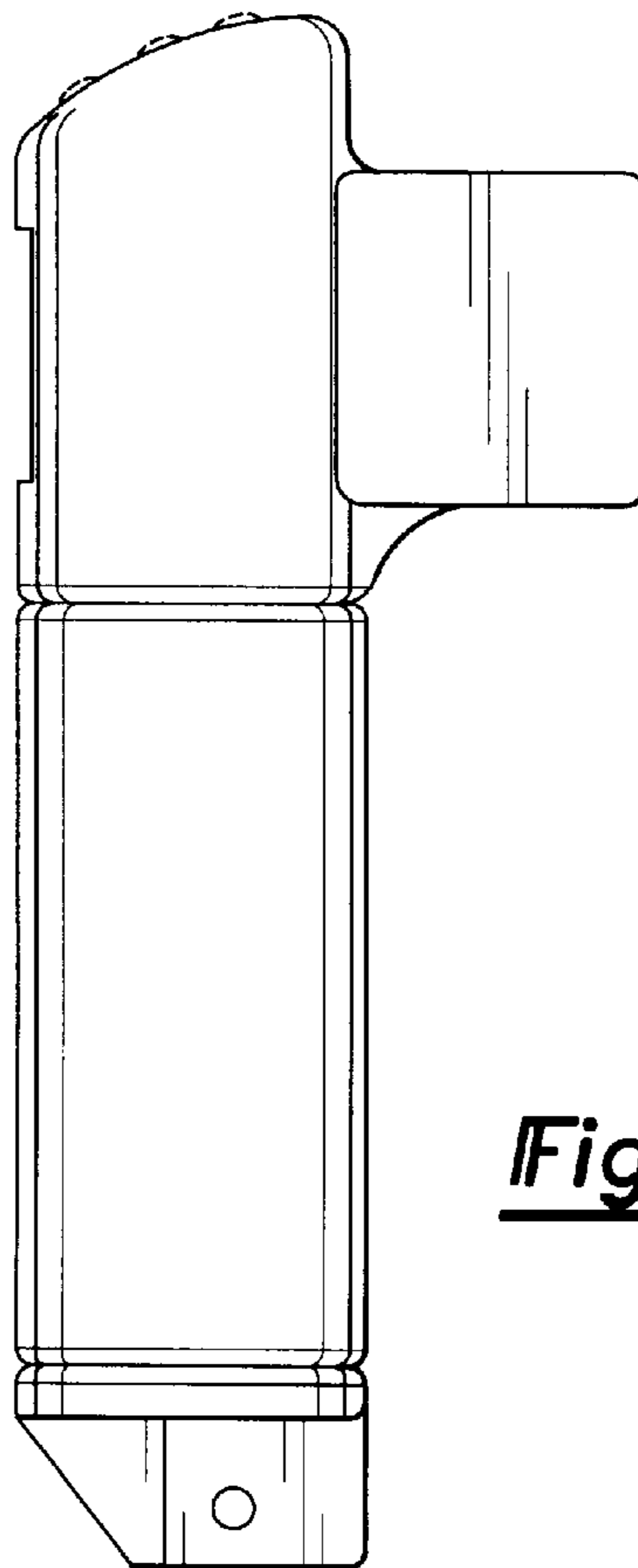


Fig-7

UNITED STATES PATENT AND TRADEMARK OFFICE
CERTIFICATE OF CORRECTION

PATENT NO. : Des. 489,242 S
DATED : May 4, 2004
INVENTOR(S) : Gregory Scott Snider

Page 1 of 1

It is certified that error appears in the above-identified patent and that said Letters Patent is hereby corrected as shown below:

Title page,

Item [56], **References Cited**, U.S. PATENT DOCUMENTS, insert the following:

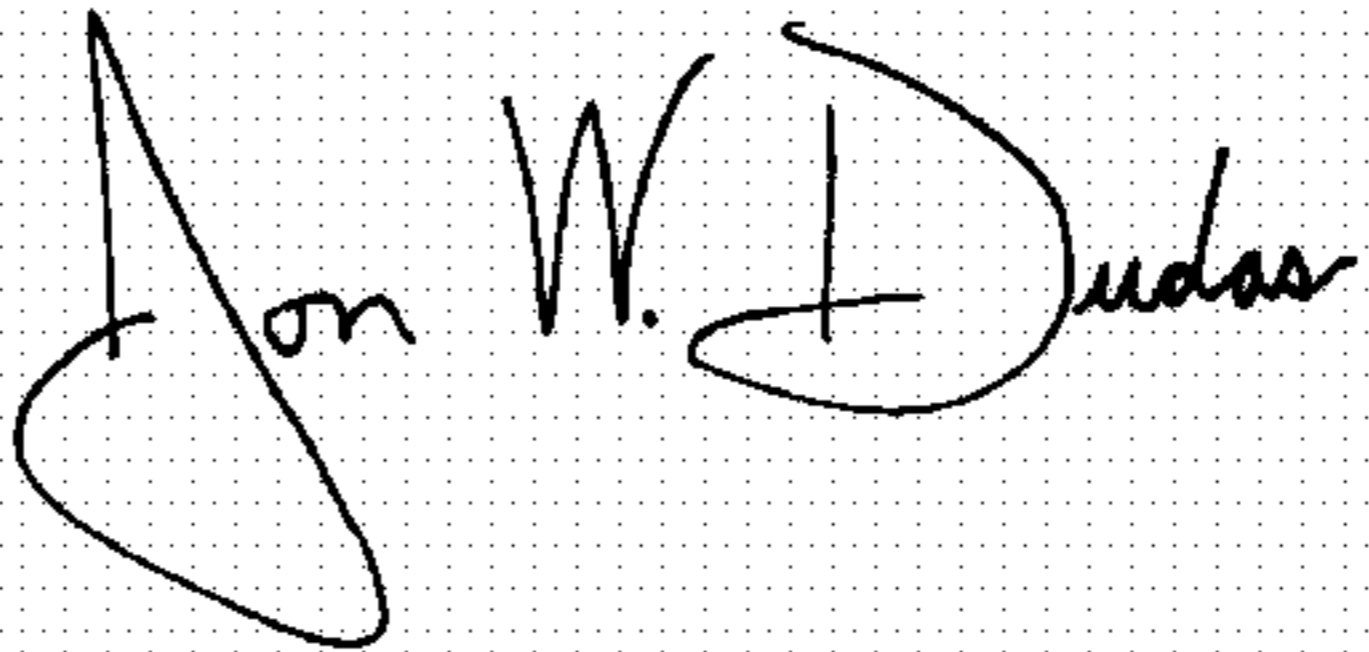
-- 6,266,887	7/2001	Owens et al.
6,134,791	10/2000	Huang
6,079,109	6/2000	Ranieri
6,070,330	6/2000	Phelon et al.
D409,892	5/1999	Juhlin
5,826,344	10/1998	Phelon et al.
5,768,788	6/1998	Arnold
5,673,488	10/1997	Grayo
4,466,471	8/1984	Thomson
4,367,779	1/1983	Ewig
D245,754	9/1977	Breger
3,848,649	11/1974	Wanless
3,822,731	7/1974	Keymer
3,727,655	4/1973	Garcher
3,602,278	8/1971	Brucken
3,327,748	6/1967	Reuterfors
2,399,869	5/1946	Hough
1,840,925	1/1932	Welch
1,713,972	5/1929	Lufkin --

FOREIGN PATENT DOCUMENTS, insert the following:

-- FR 2293277 12/1974 --

Signed and Sealed this

Tenth Day of August, 2004



JON W. DUDAS

Acting Director of the United States Patent and Trademark Office