



US00D489240S

(12) **United States Design Patent**
Bartfeld et al.

(10) **Patent No.:** **US D489,240 S**

(45) **Date of Patent:** **** May 4, 2004**

(54) **IMPACT TOOL**

(75) Inventors: **Benjamin R. Bartfeld**, Morristown, NJ
(US); **Scott D. Price**, Lebanon, NJ
(US); **Edward C. Eardley**, Easton, PA
(US)

(73) Assignee: **Ingersoll-Rand Company**, Woodcliff
Lake, NJ (US)

(**) Term: **14 Years**

(21) Appl. No.: **29/175,128**

(22) Filed: **Jan. 29, 2003**

(51) **LOC (7) Cl.** **08-05**

(52) **U.S. Cl.** **D8/68**

(58) **Field of Search** D8/61, 62, 63,
D8/64, 65, 66, 67, 68, 69, 70; 173/13, 169,
178, 213, 217; 310/50; 408/20, 124, 125,
234, 241 R; 451/358; 81/57.11, 429, 464,
465, 466, 469, 489; 227/8, 114, 120, 130,
136, 142

(56) **References Cited**

U.S. PATENT DOCUMENTS

3,037,740	A	*	6/1962	Sheps et al.	173/169
3,352,368	A	*	11/1967	Maffey, Jr.	D8/68
D256,980	S	*	9/1980	Adams et al.	D8/68
D261,222	S	*	10/1981	Bunyea	D8/68
D339,726	S		9/1993	Bruno et al.	
D370,163	S	*	5/1996	Hurd	D8/68
D388,678	S		1/1998	Bantly et al.	
D393,580	S		4/1998	Bantly et al.	
D403,564	S	*	1/1999	Izumisawa	D8/68
5,918,686	A	*	7/1999	Izumisawa	173/169
6,062,323	A	*	5/2000	Pusateri et al.	173/169

D434,297	S		11/2000	Iritani et al.	
D434,958	S	*	12/2000	Izumisawa	D8/68
D436,818	S	*	1/2001	Izumisawa	D8/68
D437,760	S	*	2/2001	Izumisawa	D8/68
D441,628	S	*	5/2001	Bass et al.	D8/68
D467,782	S	*	12/2002	Morgan	D8/68
D469,673	S		2/2003	Sliker et al.	

OTHER PUBLICATIONS

wrenches, Sioux Professional Power Tools catalogue,
#871.*

air impact wrenches, Zone Industrial Co. brochure.*

* cited by examiner

Primary Examiner—Doris V. Coles

Assistant Examiner—T. Chase Nelson

(74) *Attorney, Agent, or Firm*—Michael Best & Friedrich
LLP

(57) **CLAIM**

The ornamental design for an impact tool, as shown and
described.

DESCRIPTION

FIG. 1 is a perspective view of an impact tool showing our
new design;

FIG. 2 is a left side view of FIG. 1;

FIG. 3 is a right side view of FIG. 1;

FIG. 4 is a front view of FIG. 1;

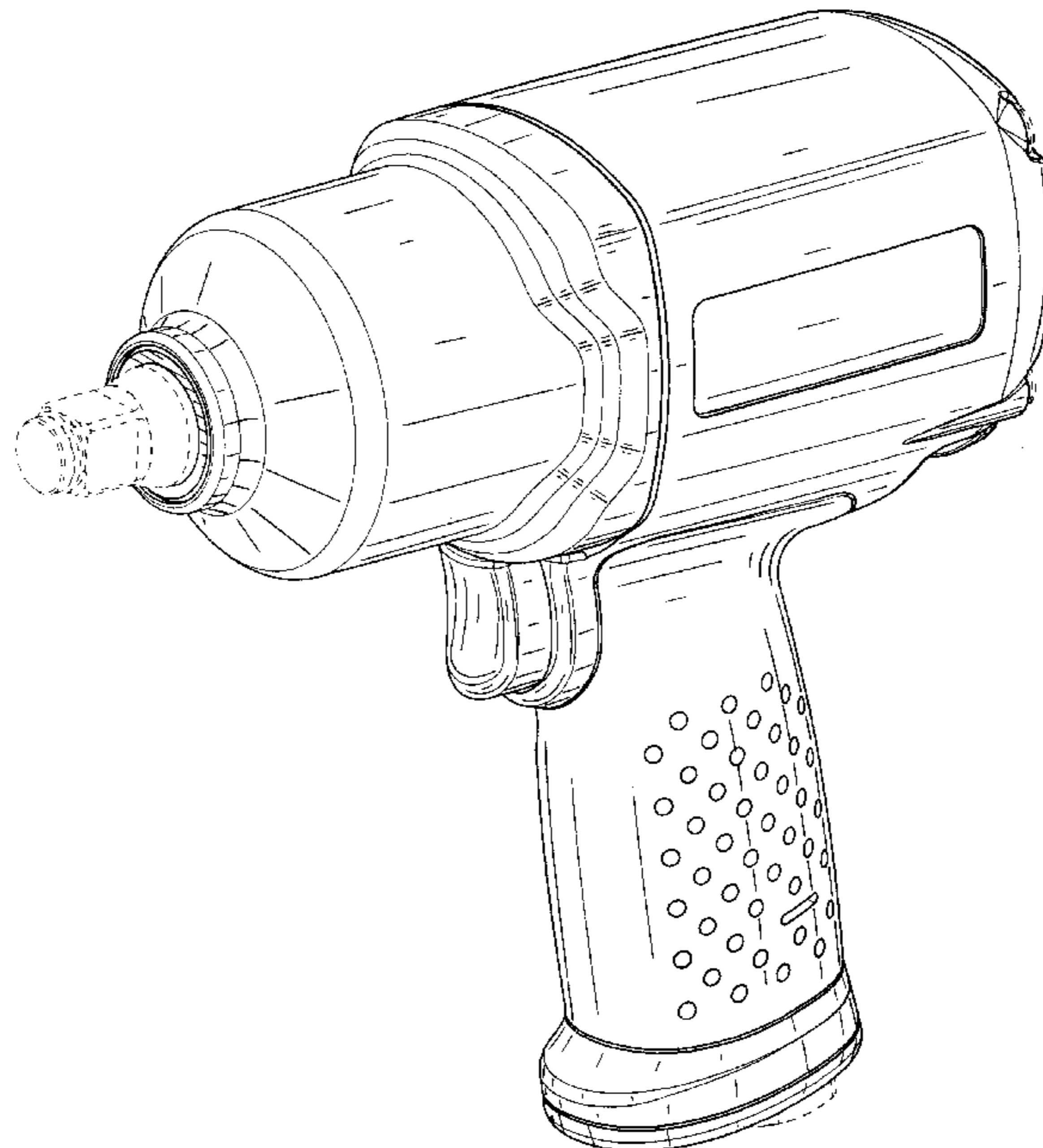
FIG. 5 is a rear view of FIG. 1;

FIG. 6 is a top view of FIG. 1; and,

FIG. 7 is a bottom view of FIG. 1.

The structural features depicted by means of broken lines in
the drawing figures have been shown for illustrative pur-
poses only and form no part of the claimed design.

1 Claim, 5 Drawing Sheets



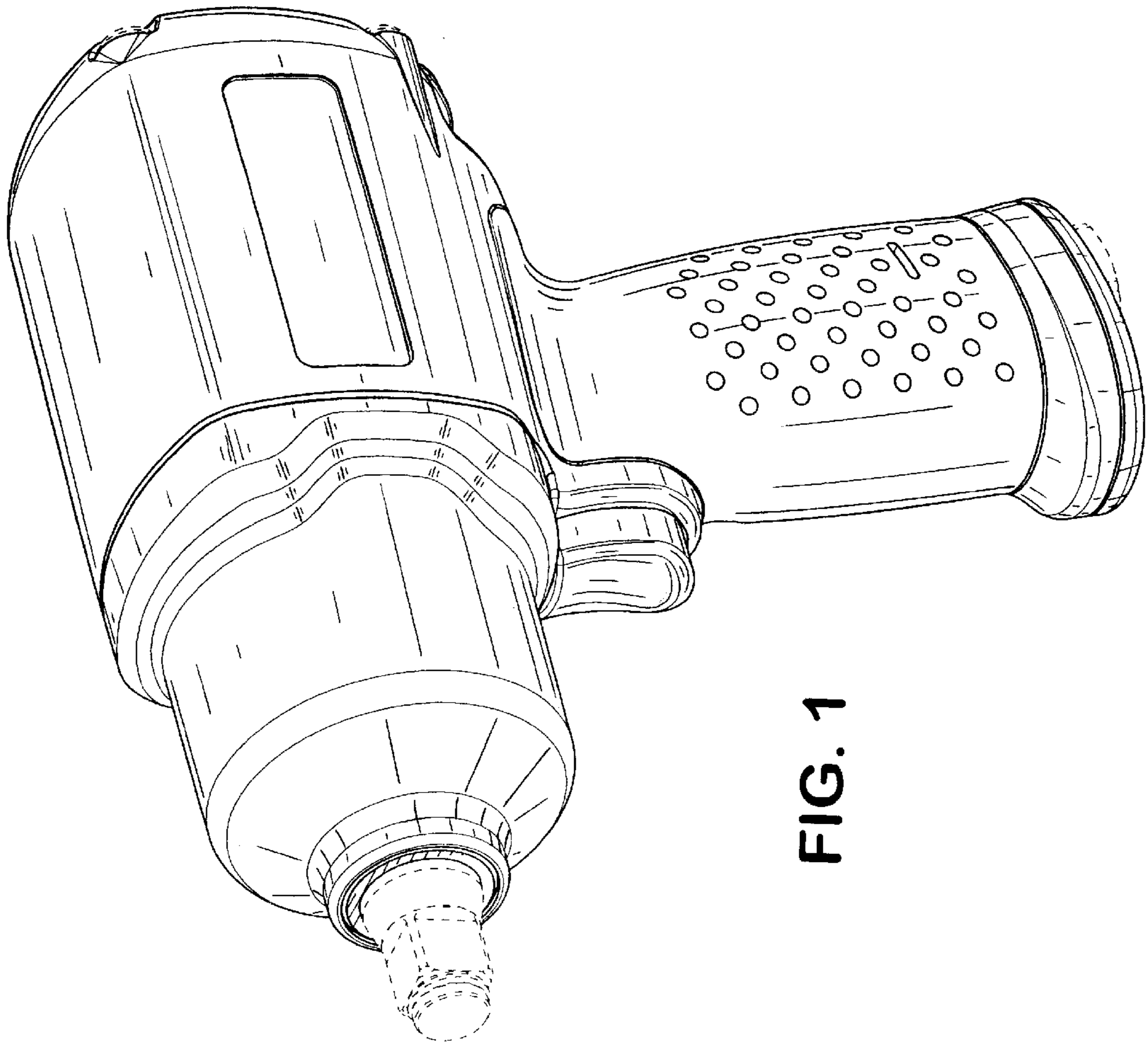


FIG. 1

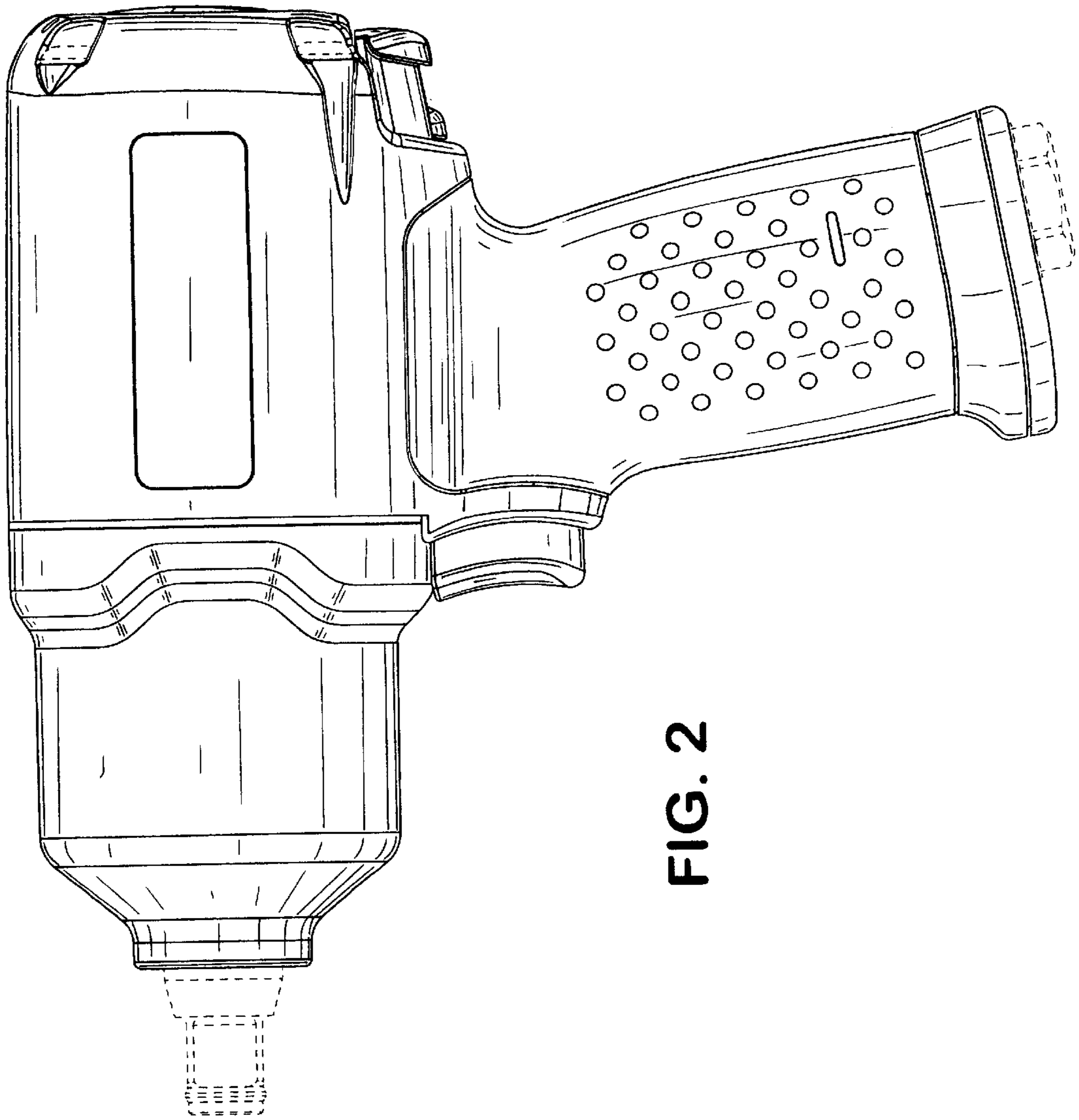


FIG. 2

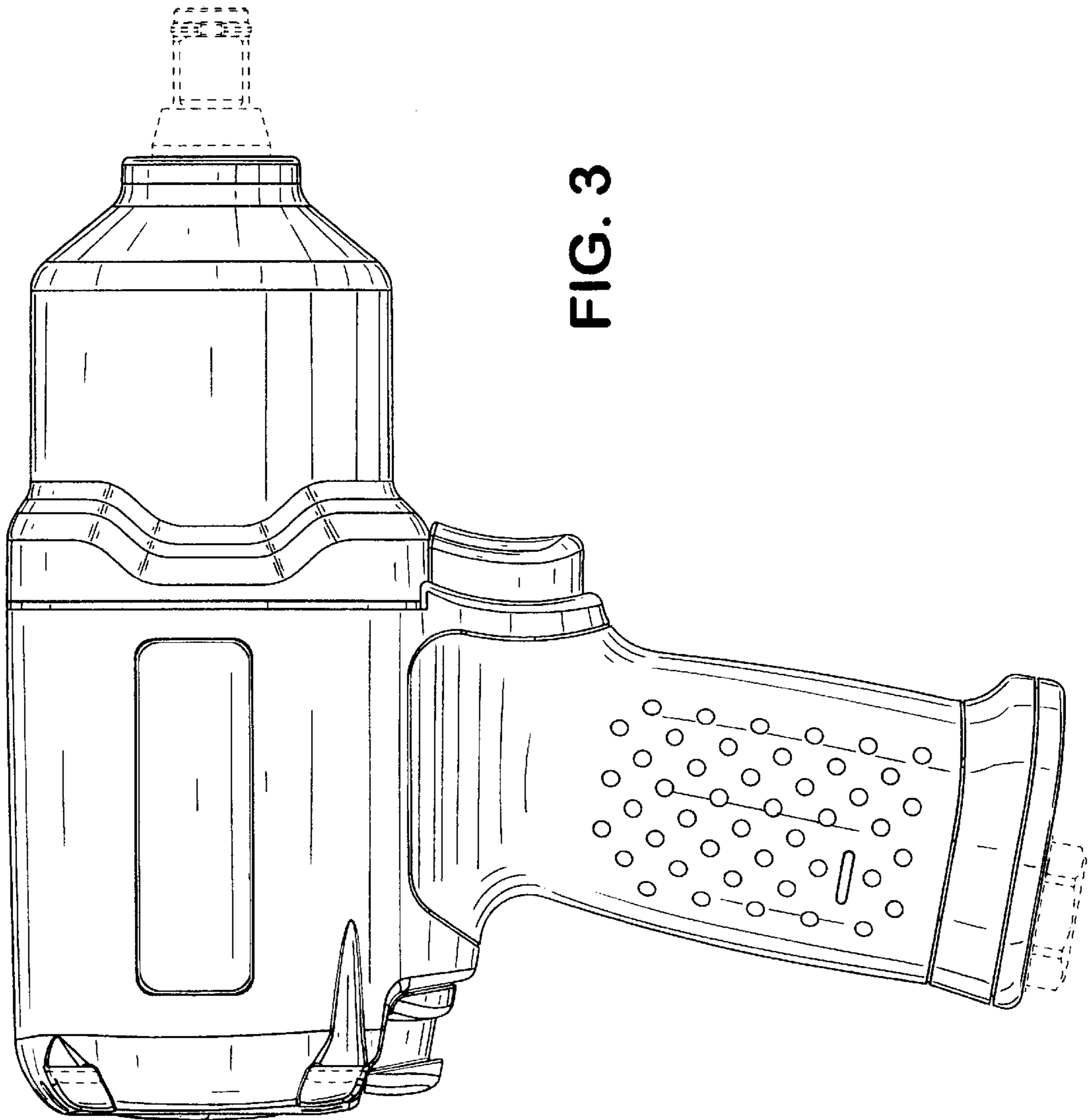


FIG. 3

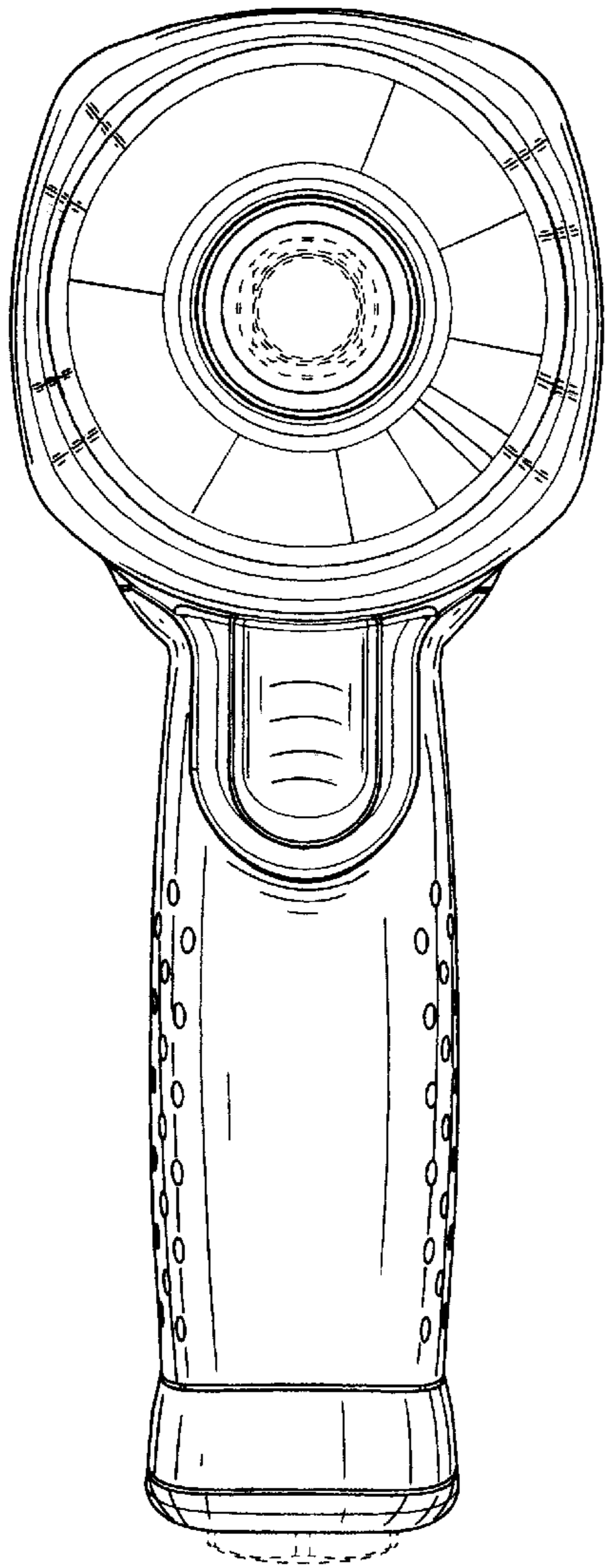


FIG. 4

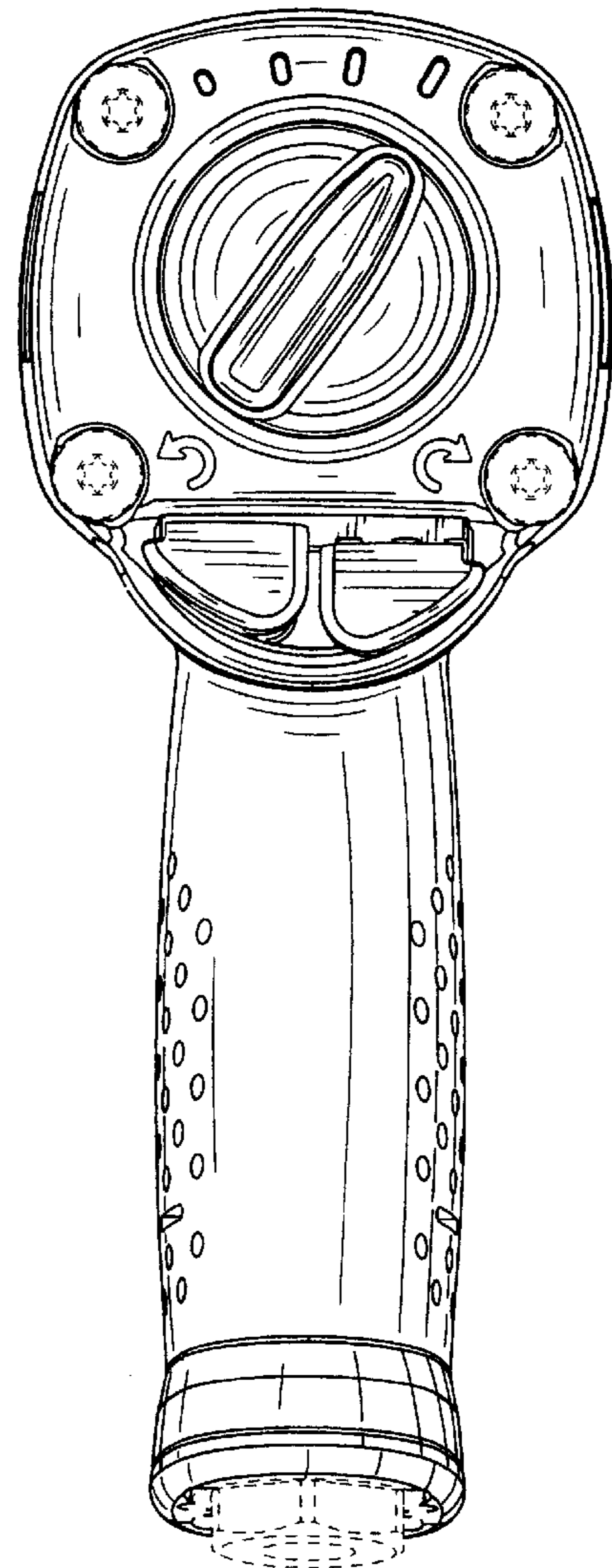


FIG. 5

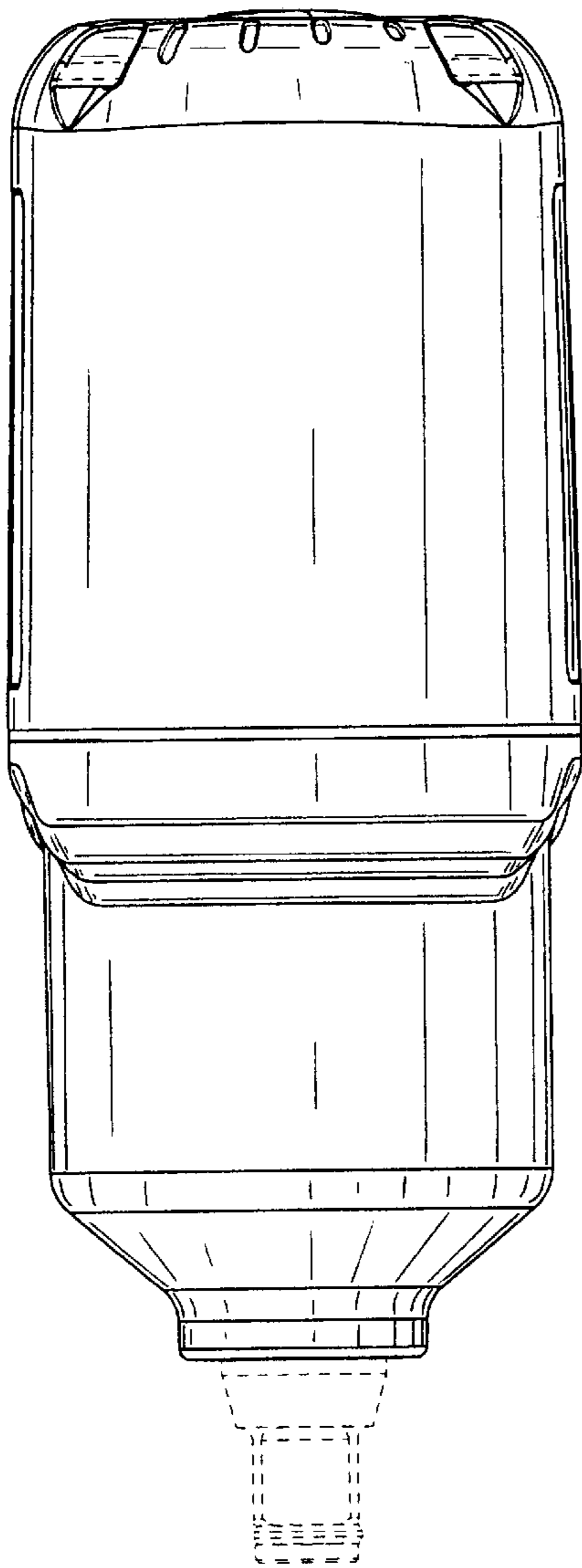


FIG. 6

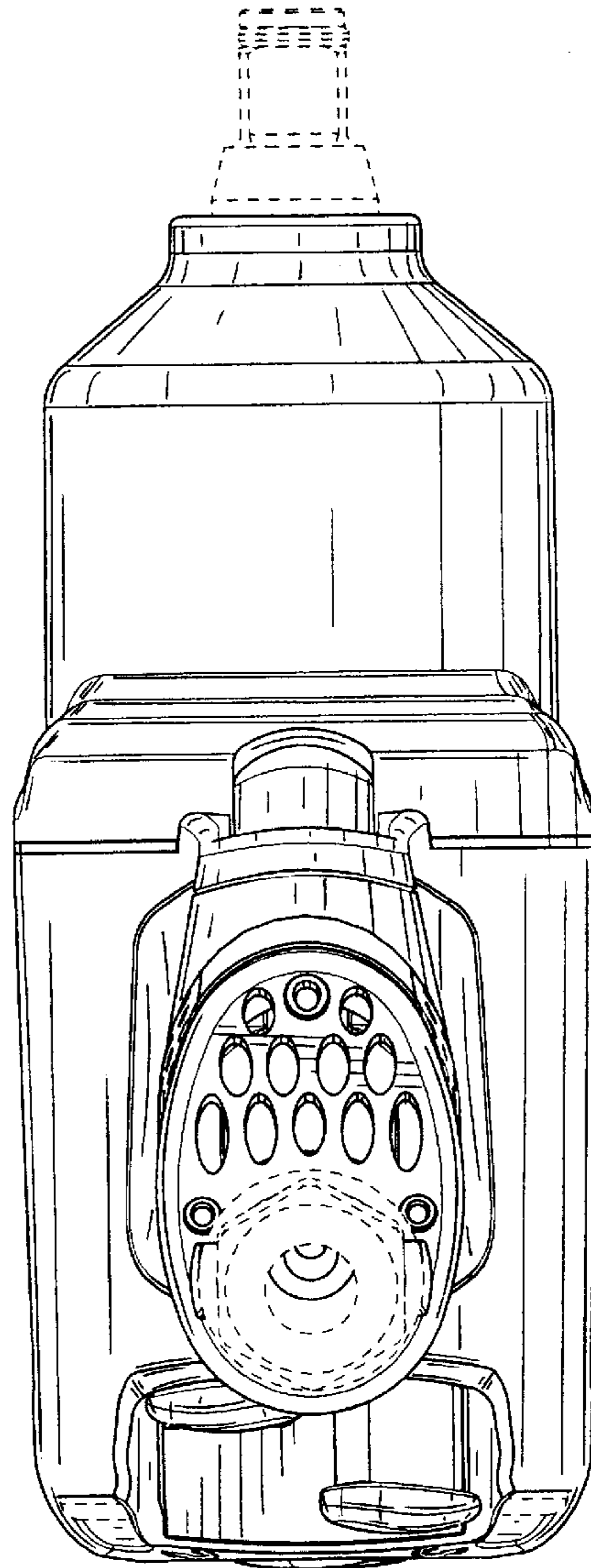


FIG. 7