



US00D489238S

(12) **United States Design Patent**
Keller

(10) **Patent No.:** **US D489,238 S**

(45) **Date of Patent:** **** May 4, 2004**

(54) **JIG SAW WITH LASER ALIGNMENT SYSTEM**

5,535,520 A * 7/1996 Armstrong 30/375
6,179,696 B1 * 1/2001 Duffy 451/357
D465,713 S * 11/2002 Keller D8/64

(75) Inventor: **Guillaume Keller**, Coublevie (FR)

* cited by examiner

(73) Assignee: **Chevron International Trading Co., Ltd.**, Jiangsu (CN)

Primary Examiner—Doris V. Coles

Assistant Examiner—Elizabeth A. Albert

(**) Term: **14 Years**

(74) *Attorney, Agent, or Firm*—Rothwell, Figg, Ernst & Manbeck

(21) Appl. No.: **29/169,096**

(22) Filed: **Oct. 16, 2002**

(30) **Foreign Application Priority Data**

Apr. 17, 2002 (CN) 2317929

(51) **LOC (7) Cl.** **08-03**

(52) **U.S. Cl.** **D8/64**

(58) **Field of Search** D8/61, 64, 65, D8/66, 67, 69; D24/146; 30/166.3, 374, 375, 376, 377, 388, 390, 391, 392, 393, 394, 397; 83/397, 699.21; 409/180, 181, 182

(57) **CLAIM**

The ornamental design for a jig saw with laser alignment system, as shown and described.

DESCRIPTION

FIG. 1 is a front elevational view of the invention.

FIG. 2 is a back elevational view thereof.

FIG. 3 is a left elevational view thereof.

FIG. 4 is a right elevational view thereof.

FIG. 5 is a top plan view thereof.

FIG. 6 is a bottom plan view thereof; and

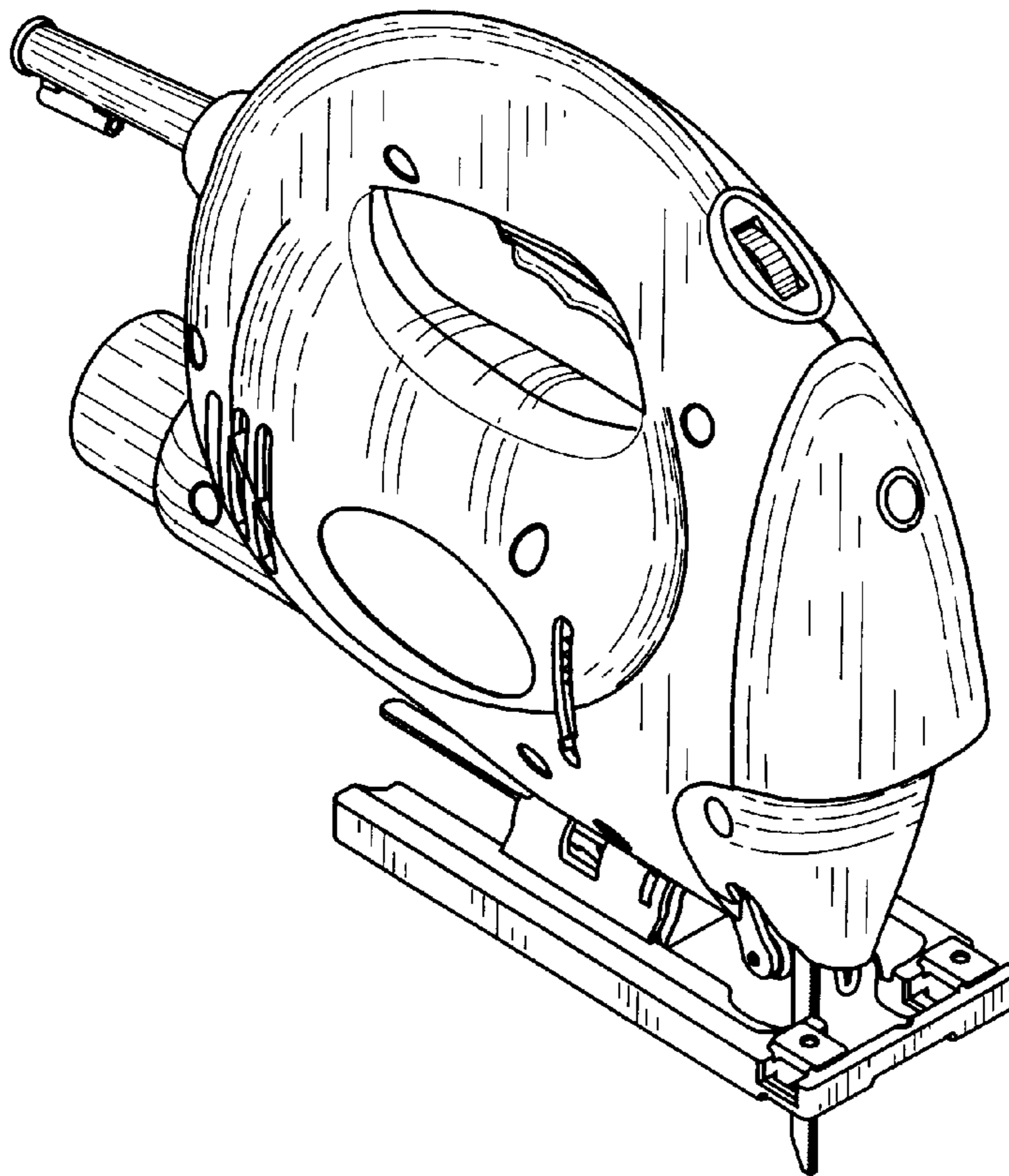
FIG. 7 is a perspective view thereof.

(56) **References Cited**

U.S. PATENT DOCUMENTS

3,146,809 A * 9/1964 Botefuhr 30/376

1 Claim, 4 Drawing Sheets



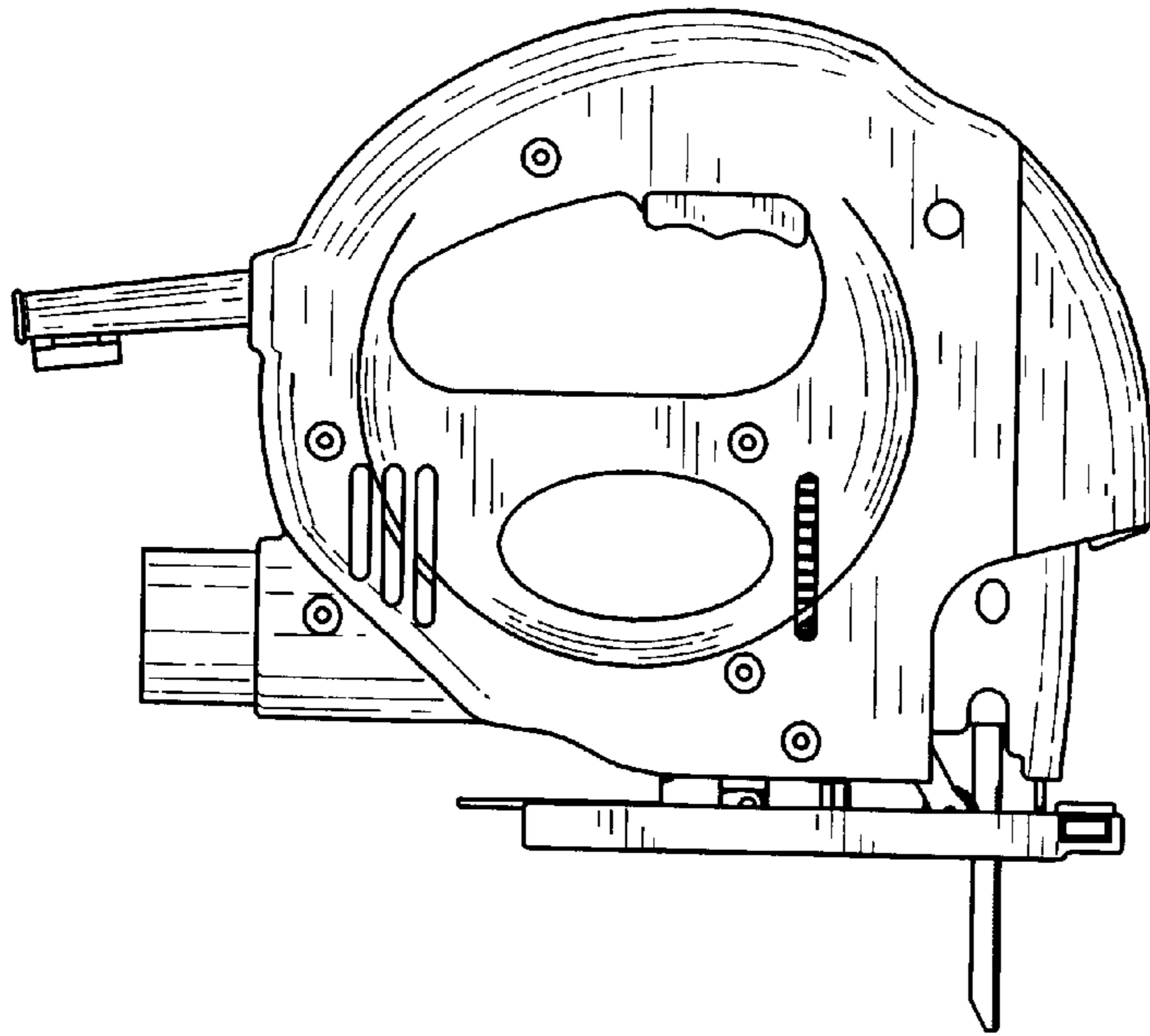


FIG. 1

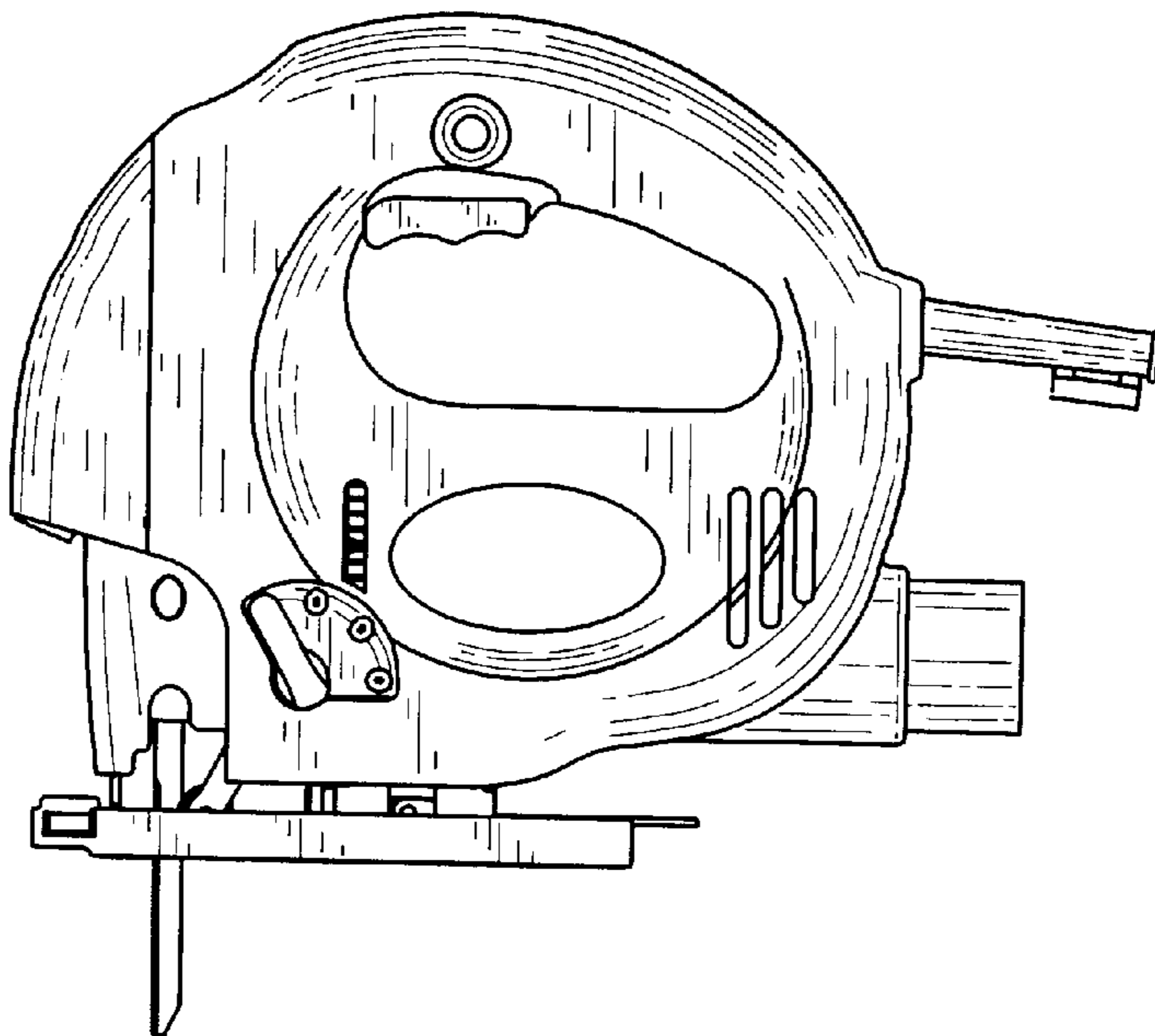


FIG. 2

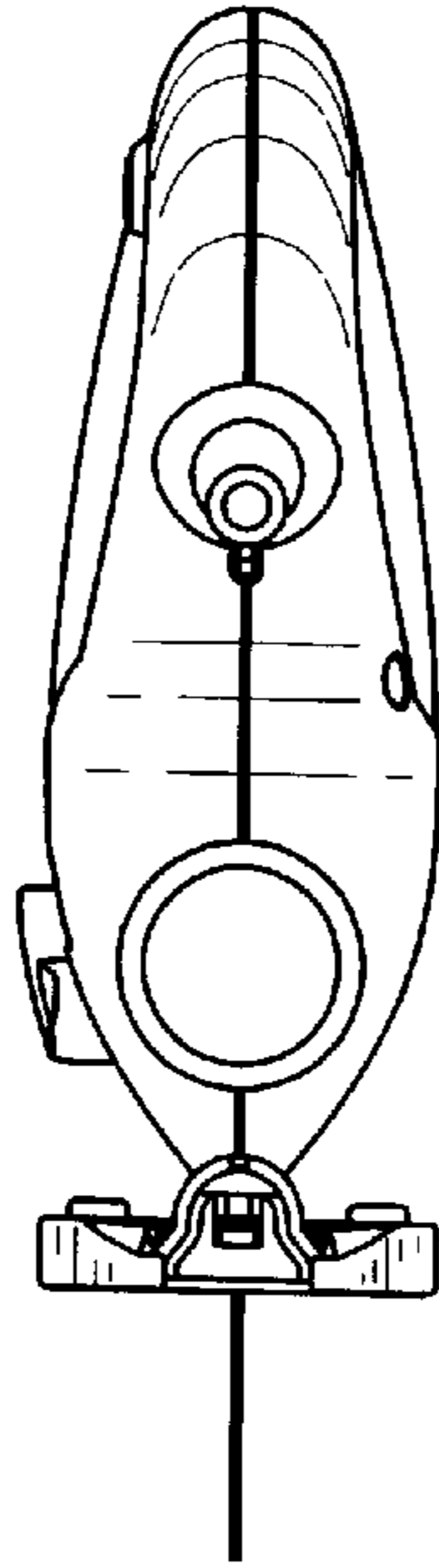


FIG. 3

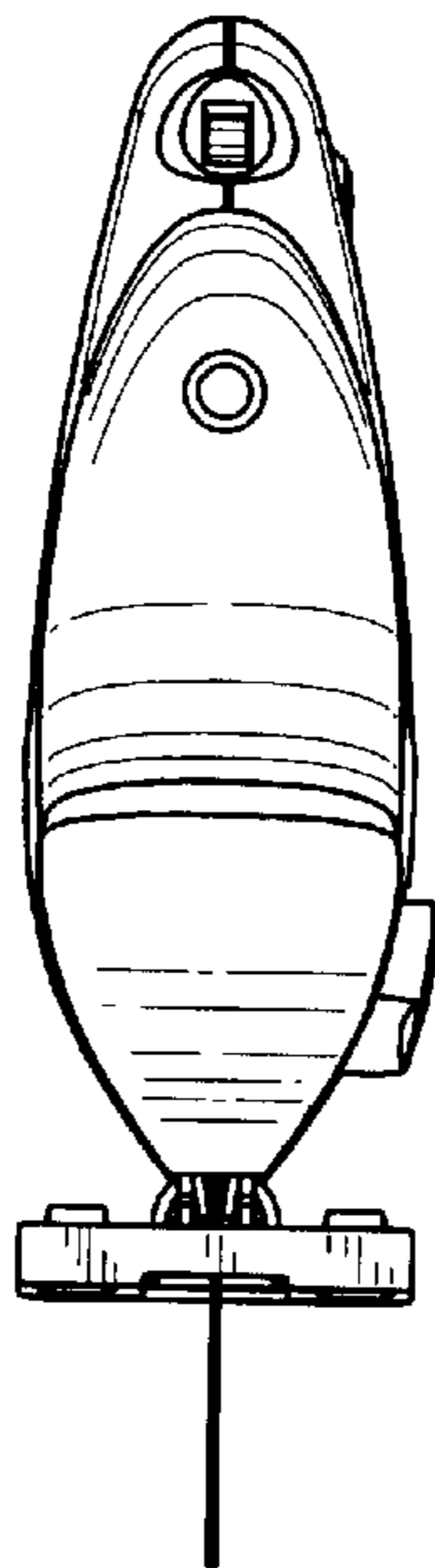


FIG. 4

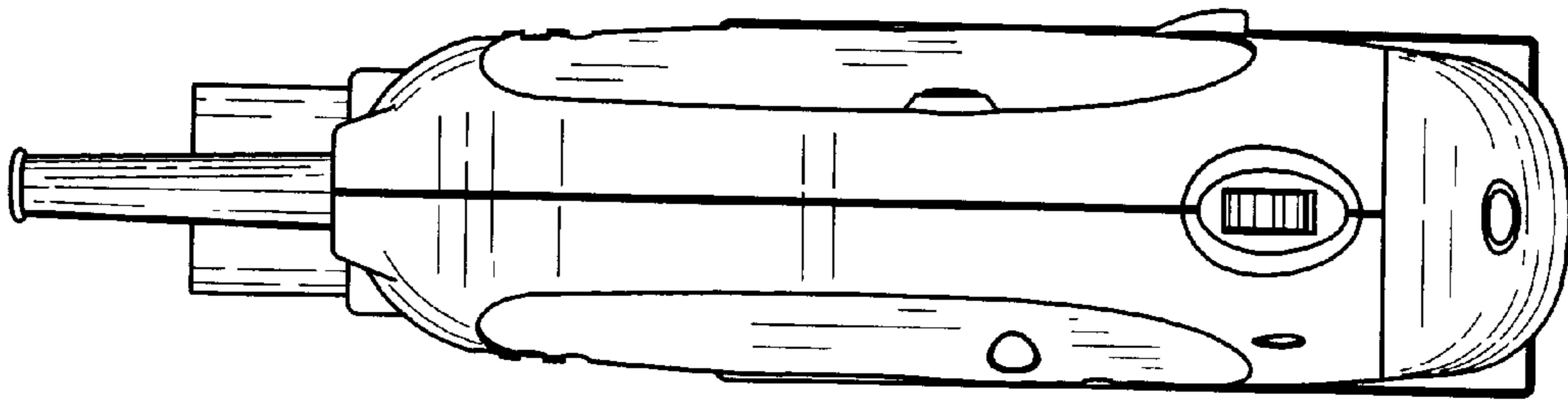


FIG. 5

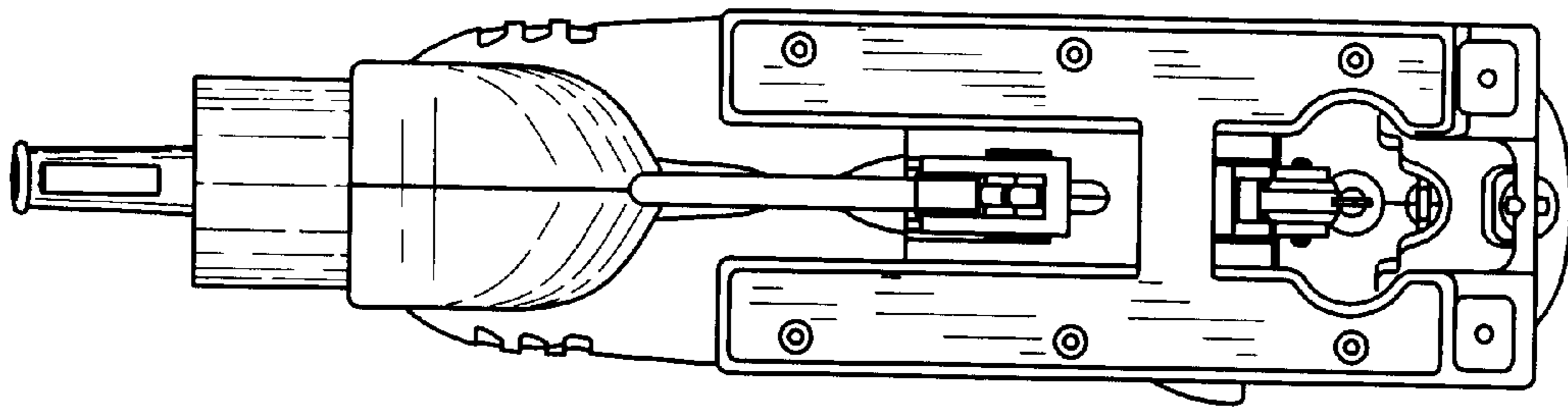


FIG. 6

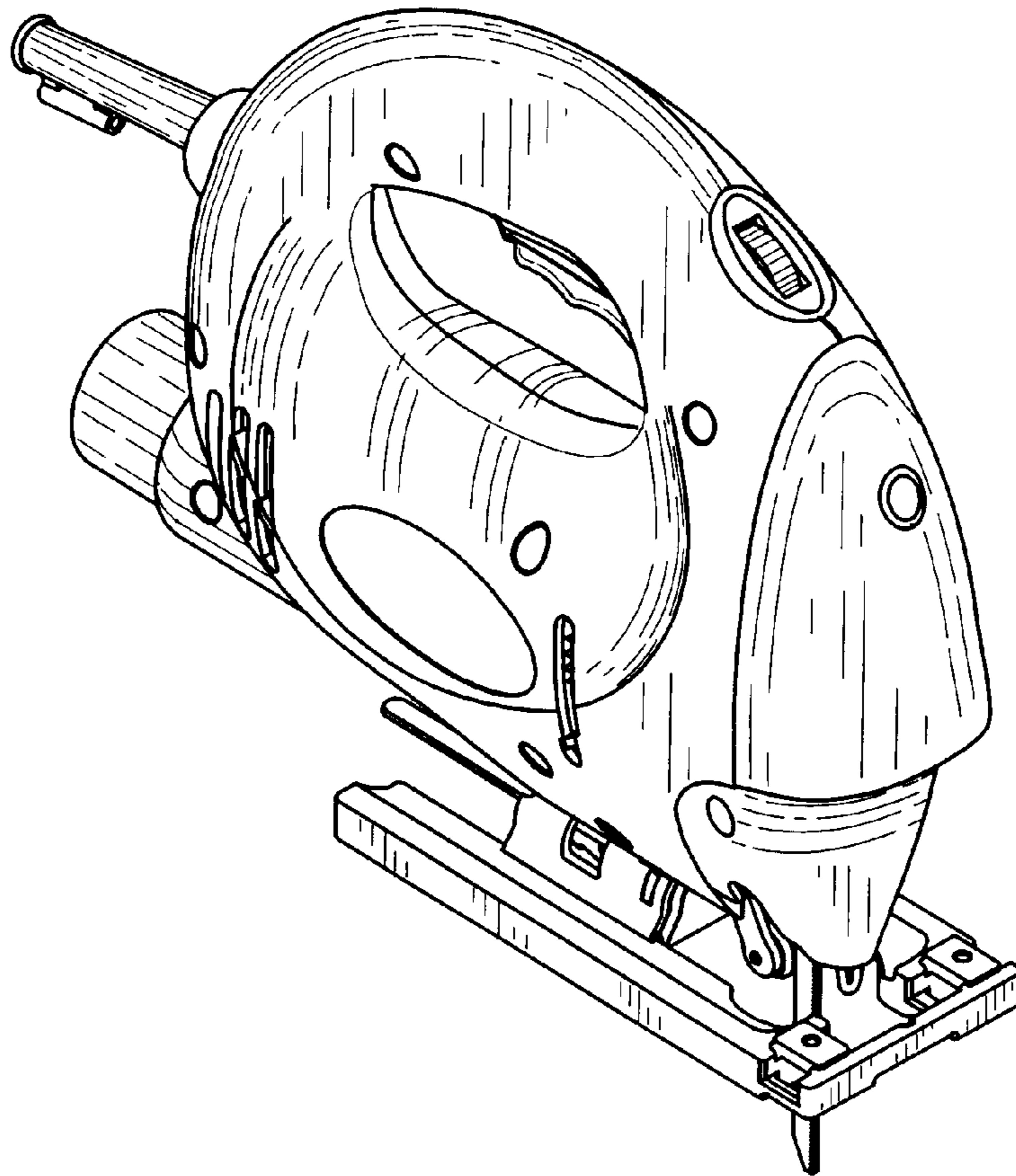


FIG. 7