



US00D489237S

(12) **United States Design Patent**  
**Chue**

(10) **Patent No.:** **US D489,237 S**

(45) **Date of Patent:** **\*\* May 4, 2004**

(54) **STAPLER**

D431,167 S \* 9/2000 Brown ..... D8/50

(75) Inventor: **Lap Fu Chue**, Tai Po (HK)

\* cited by examiner

(73) Assignee: **Kenki (H.K.) Ltd.**, Kowloon (HK)

*Primary Examiner*—Adir Aronovich

(\*\*) Term: **14 Years**

(74) *Attorney, Agent, or Firm*—Rabin & Berdo, P.C.

(21) Appl. No.: **29/165,936**

(57) **CLAIM**

(22) Filed: **Aug. 21, 2002**

The ornamental design for a stapler, as shown and described.

(51) **LOC (7) Cl.** ..... **19-02**

(52) **U.S. Cl.** ..... **D8/50**

(58) **Field of Search** ..... D8/49, 50; D19/72;  
227/120, 127, 128, 131, 132, 134, 156

**DESCRIPTION**

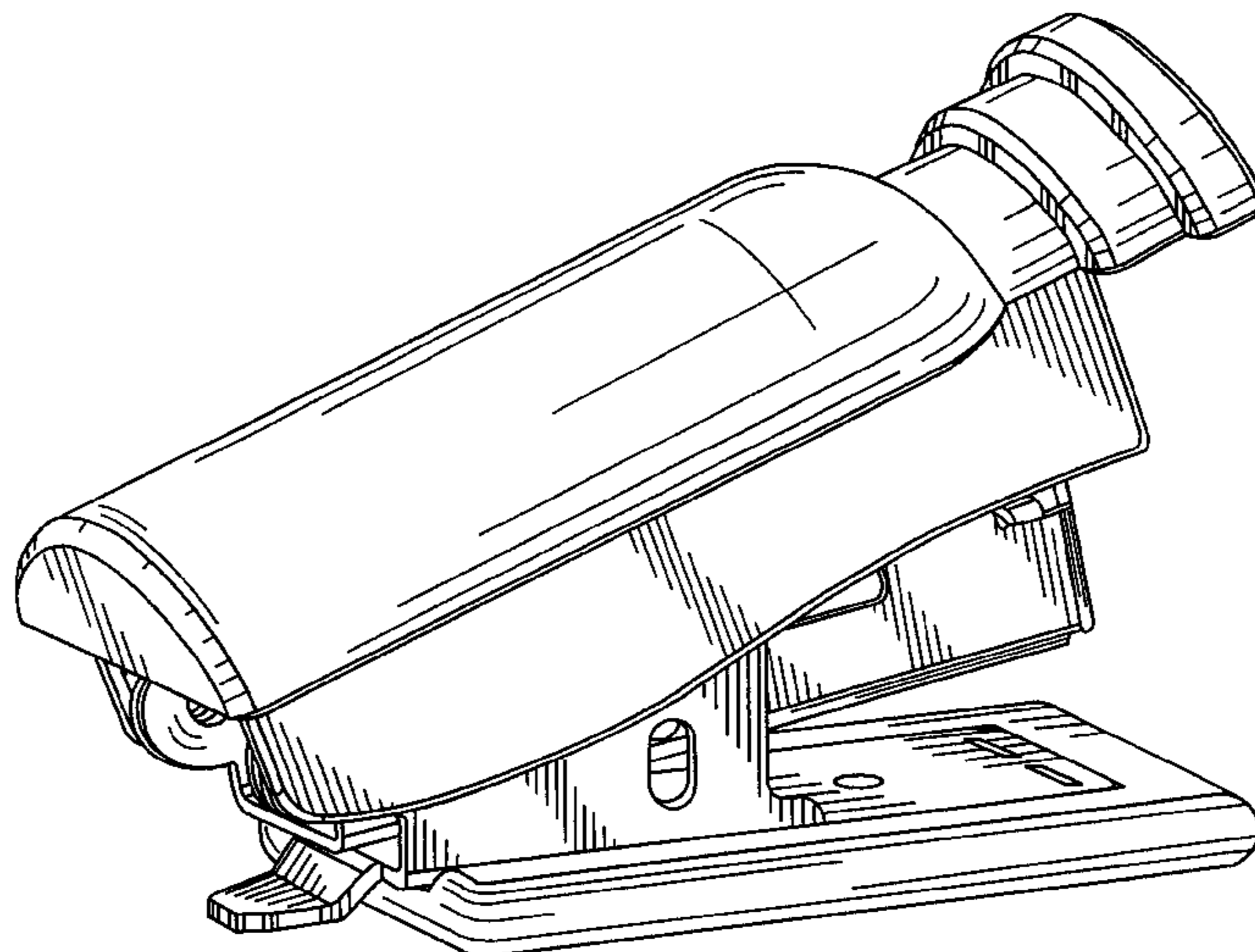
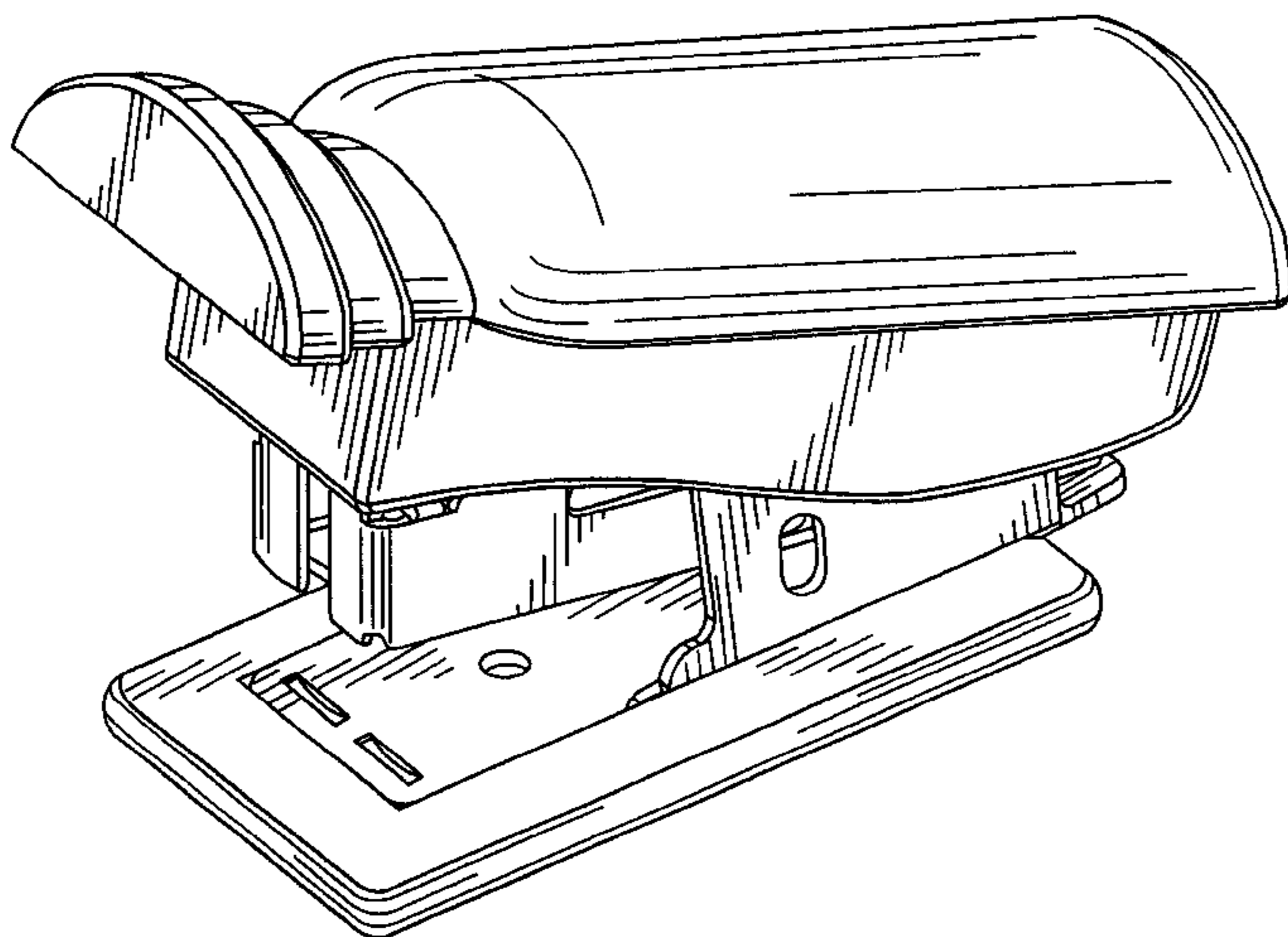
(56) **References Cited**

**U.S. PATENT DOCUMENTS**

- D295,014 S \* 4/1988 Ebihara ..... D8/49
- 4,925,082 A \* 5/1990 Kim ..... 227/120
- D330,666 S \* 11/1992 Chan ..... D8/50

FIG. 1 is a front perspective view of a stapler showing my new design;  
 FIG. 2 is a rear perspective view thereof;  
 FIG. 3 is a front view thereof;  
 FIG. 4 is a rear view thereof;  
 FIG. 5 is a left side view thereof;  
 FIG. 6 is a right side view thereof;  
 FIG. 7 is a top plan view thereof; and,  
 FIG. 8 is a bottom plan view thereof.

**1 Claim, 8 Drawing Sheets**



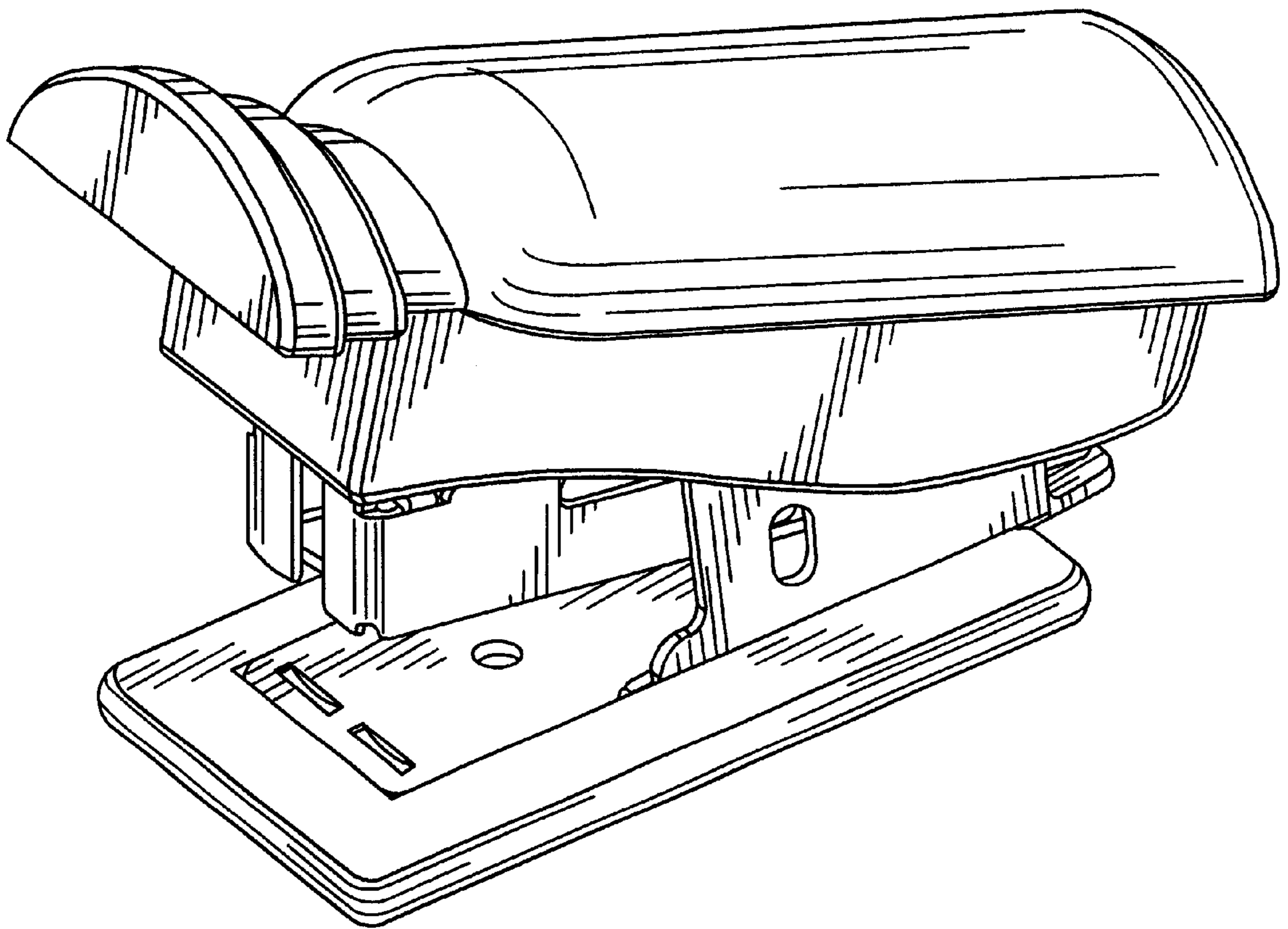


FIG. 1

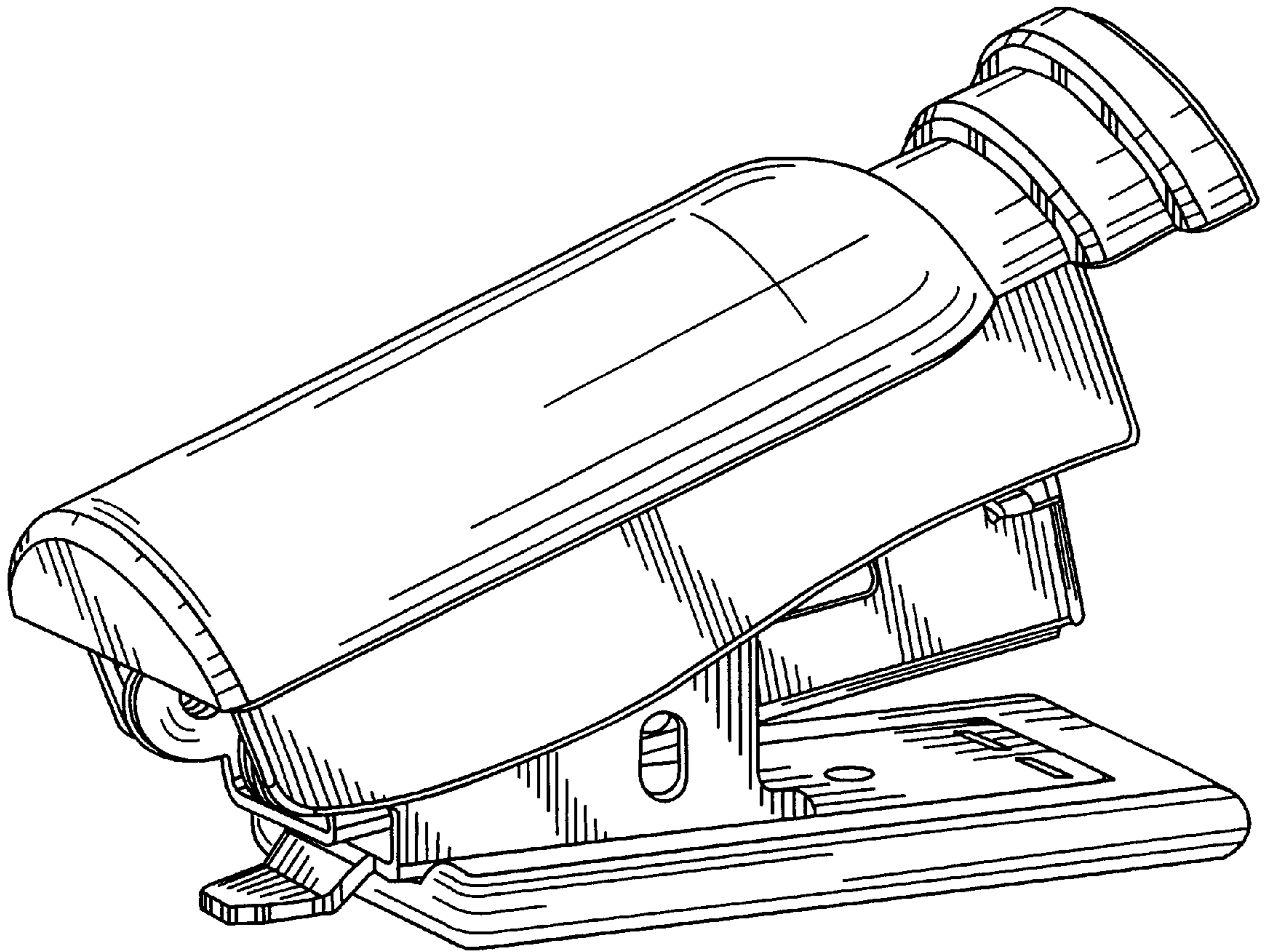


FIG. 2

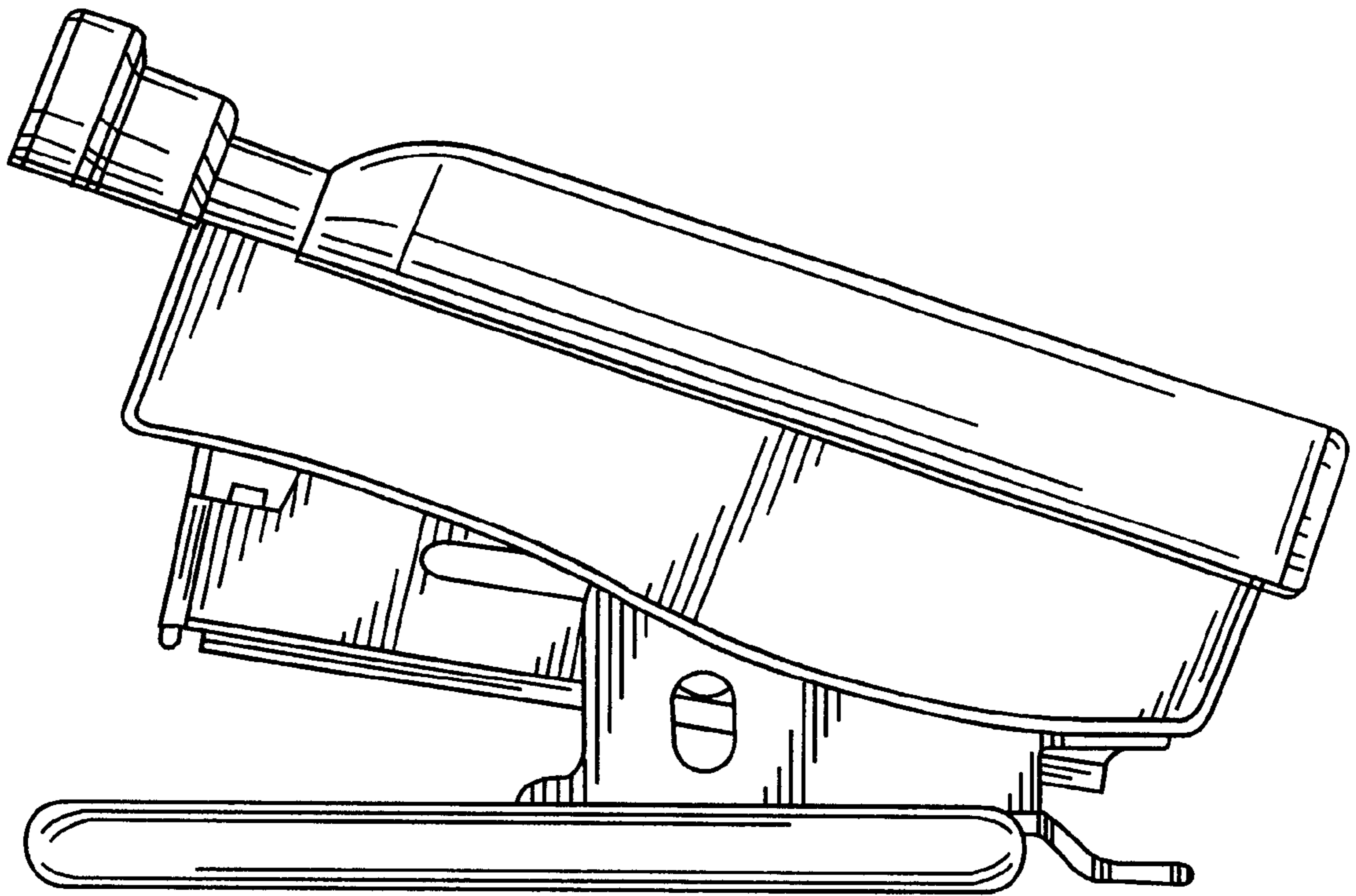


FIG. 3

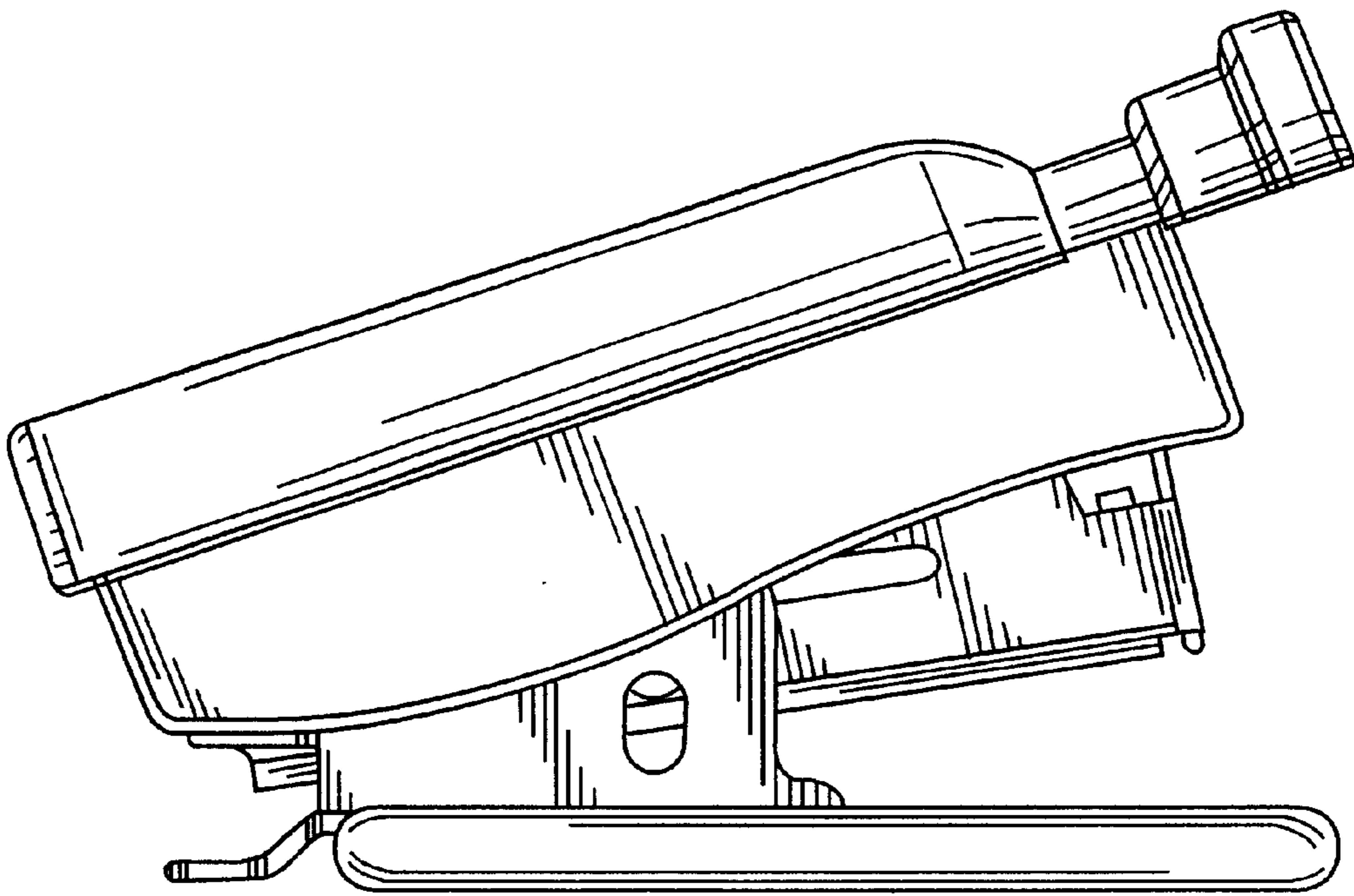


FIG. 4

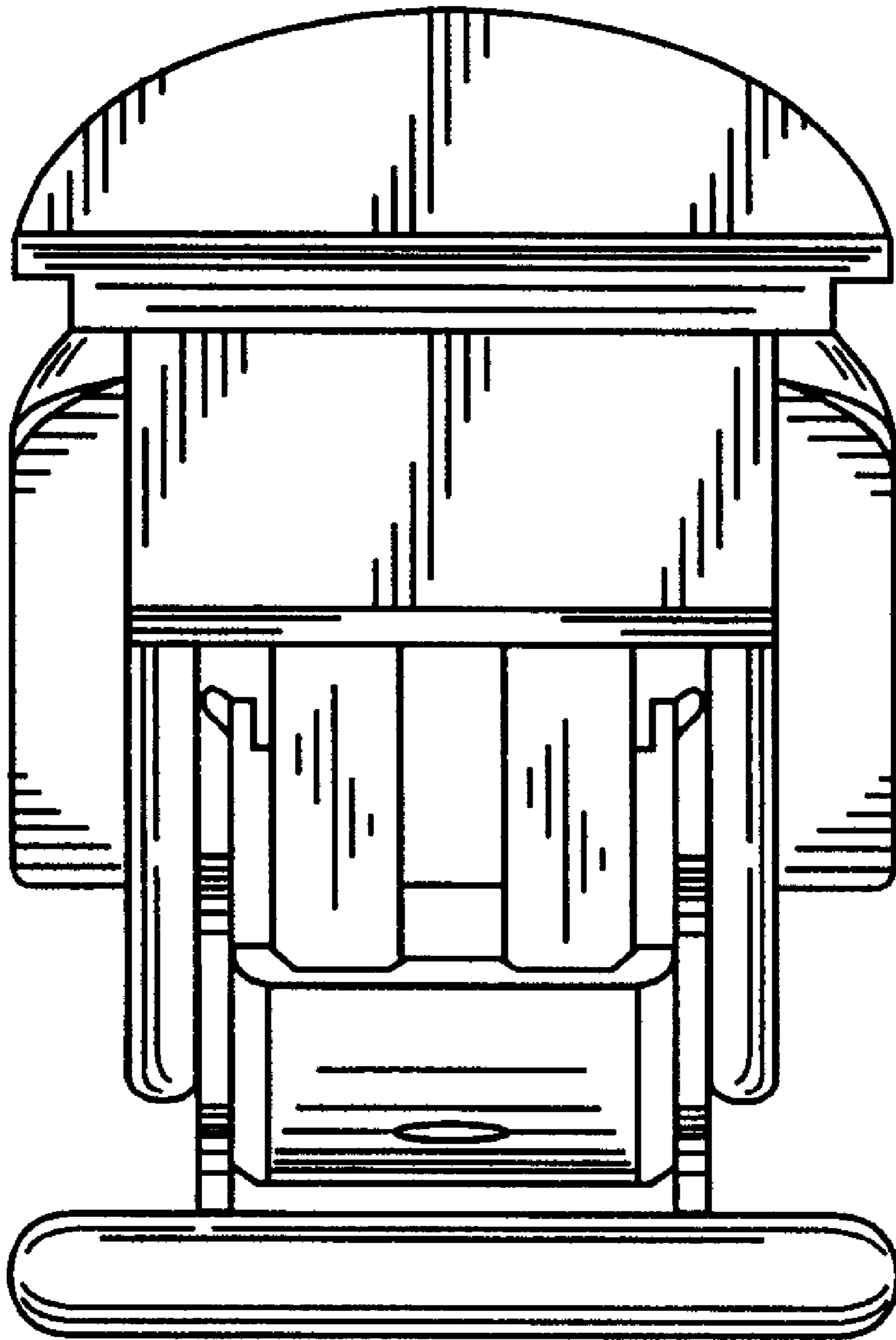


FIG. 5

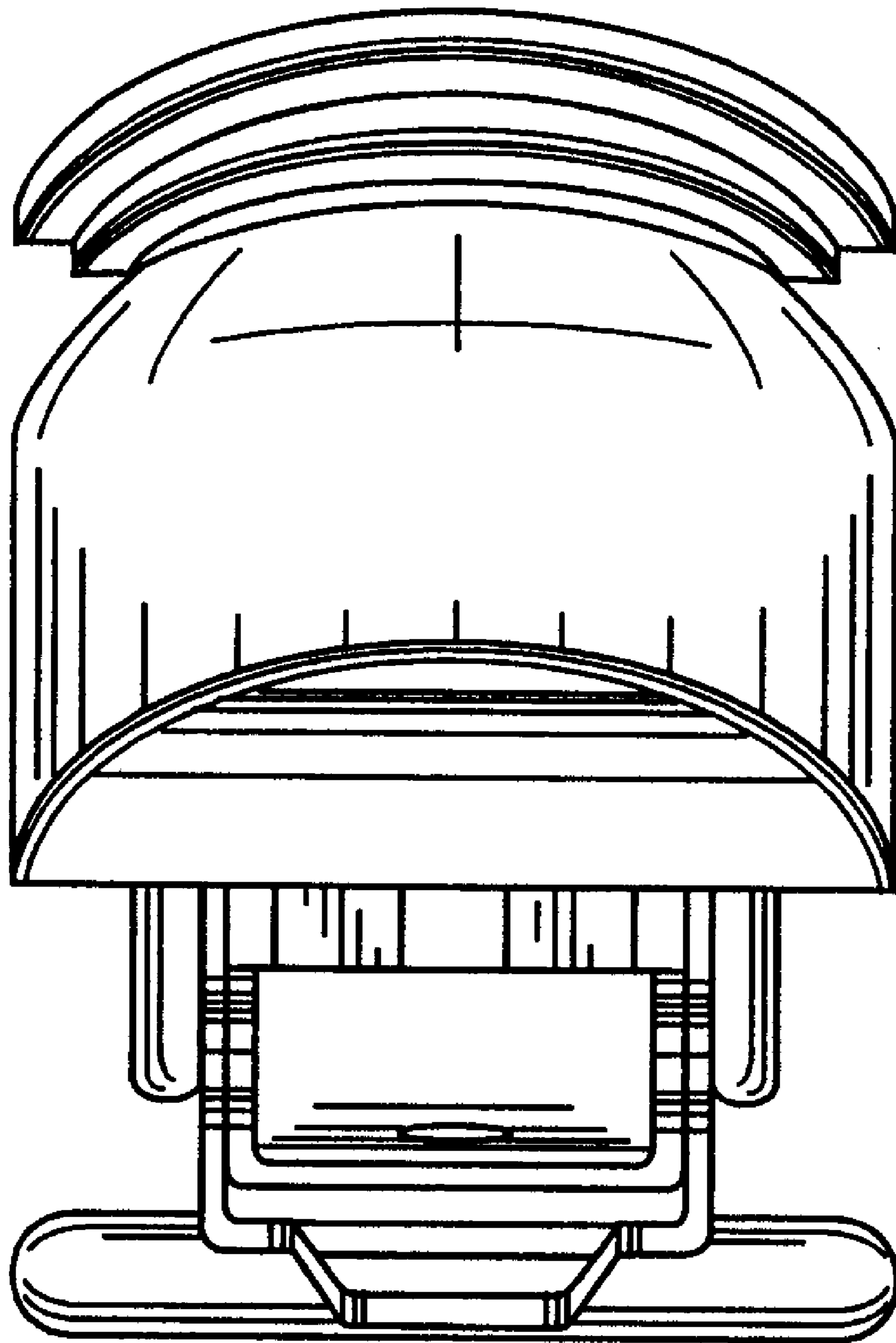


FIG. 6

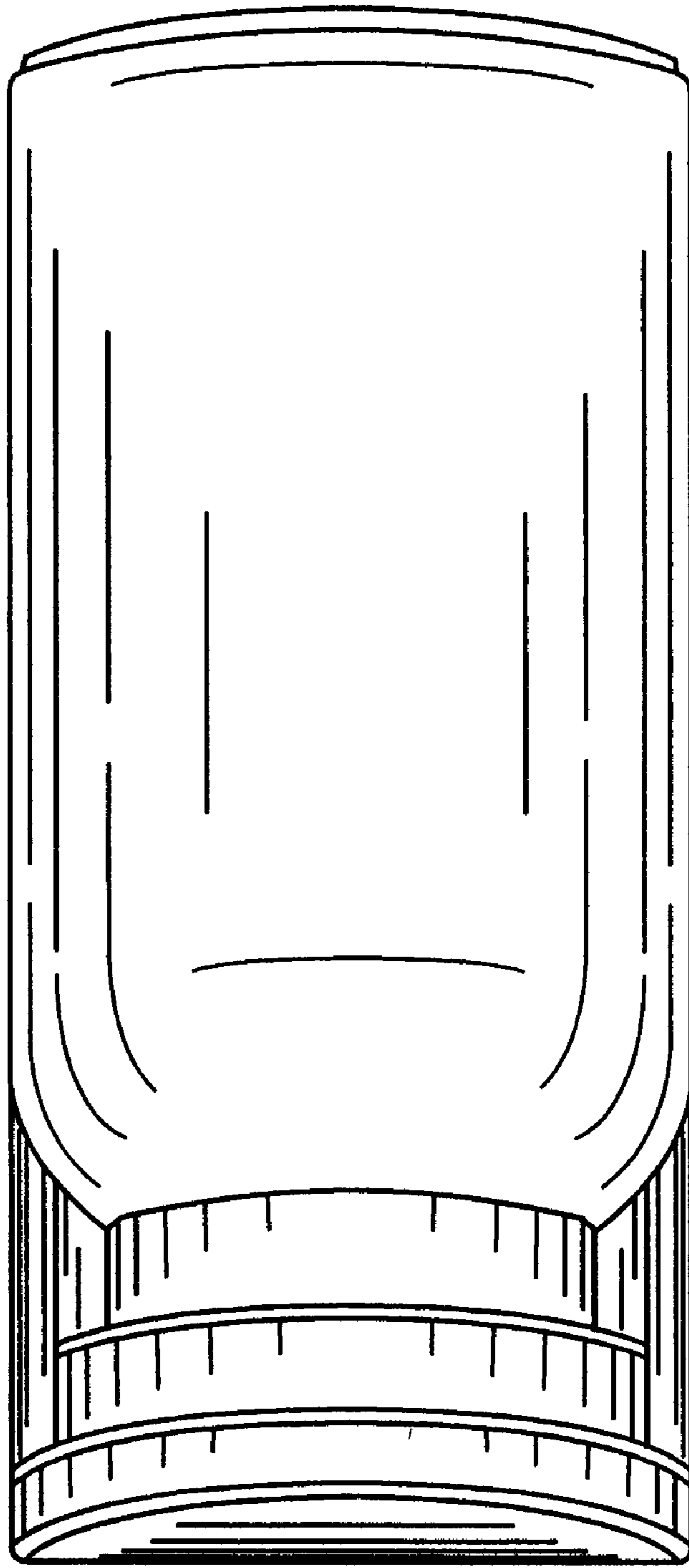


FIG. 7



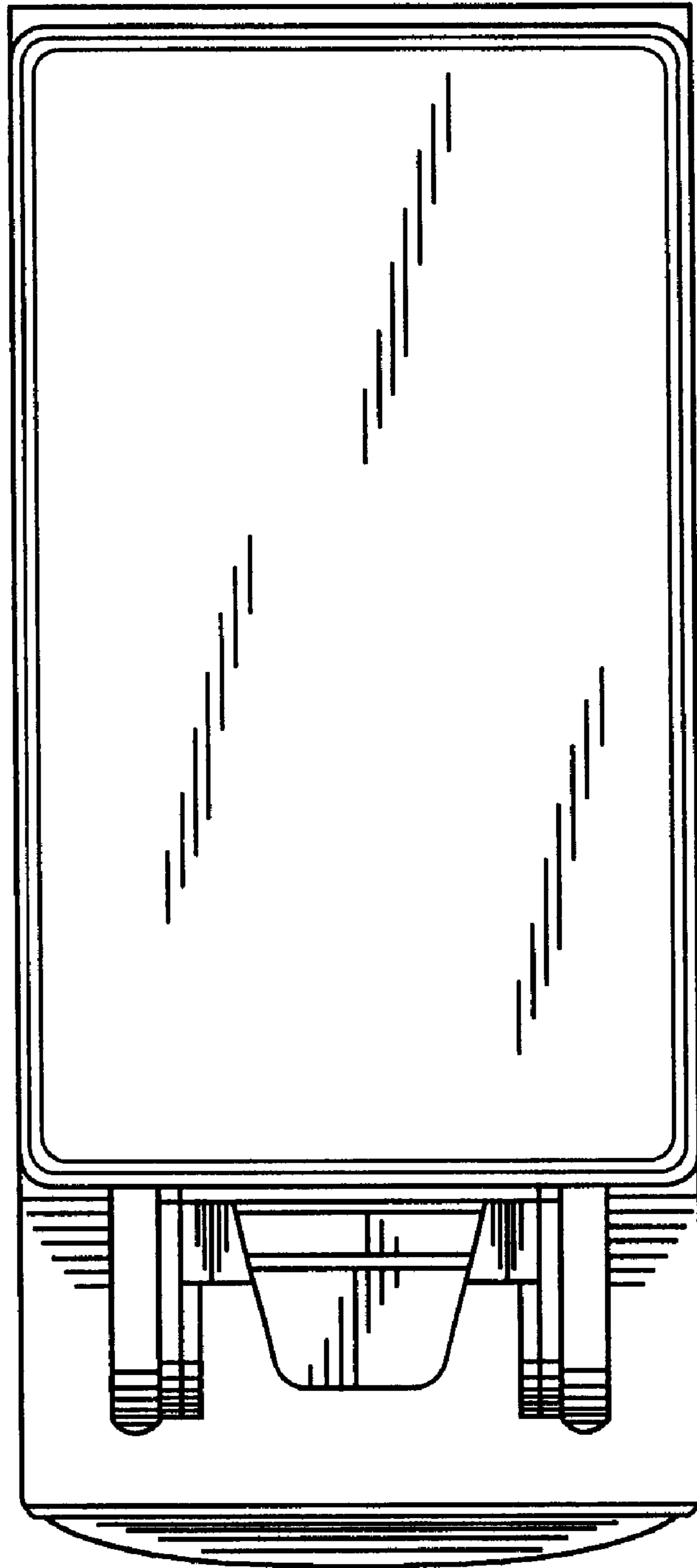


FIG. 8