



US00D489236S

(12) **United States Design Patent**
Mituhiko

(10) **Patent No.:** **US D489,236 S**

(45) **Date of Patent:** **** May 4, 2004**

(54) **FLANGE FOR A SOLDERING CARTRIDGE**

6,147,325 A * 11/2000 Eisele 219/229
D442,875 S * 5/2001 Fujiwara D15/144.2

(75) Inventor: **Miyazaki Mituhiko**, Osaka (JP)

* cited by examiner

(73) Assignee: **Hakko Corporation**, Osaka (JP)

Primary Examiner—Philip S. Hyder

(**) Term: **14 Years**

(74) *Attorney, Agent, or Firm*—Squire, Sanders & Dempsey, LLP

(21) Appl. No.: **29/178,911**

(57) **CLAIM**

(22) Filed: **Apr. 1, 2003**

The ornamental design for a flange for a soldering cartridge, as shown and described.

(51) **LOC (7) Cl.** **08-05**

(52) **U.S. Cl.** **D8/30**

(58) **Field of Search** D8/30, 29.1; 219/229, 219/230, 240, 238, 239, 231; D15/144

DESCRIPTION

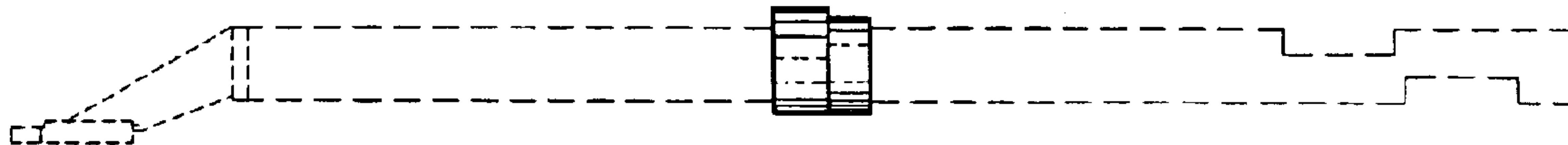
(56) **References Cited**

U.S. PATENT DOCUMENTS

- 3,919,524 A * 11/1975 Fortune 219/238
- D271,741 S * 12/1983 Riccio D8/30
- 4,940,178 A * 7/1990 Hombrecher 228/55
- 5,059,769 A * 10/1991 Fortune 219/238
- D327,825 S * 7/1992 Oglesby et al. D8/30
- 5,248,076 A * 9/1993 Eisele et al. 228/54
- D431,434 S * 10/2000 Yoshimura D8/30

FIG. 1 is a top view of the flange for a soldering cartridge; FIG. 2 is a side view of the flange for a soldering cartridge; FIG. 3 is a bottom view of the flange for a soldering cartridge; FIG. 4 is a front view of the flange for a soldering cartridge; and, FIG. 5 is a back view of the flange for a soldering cartridge. The broken line portions of the disclosure are for illustrative purposes only and form no part of the claimed design.

1 Claim, 1 Drawing Sheet



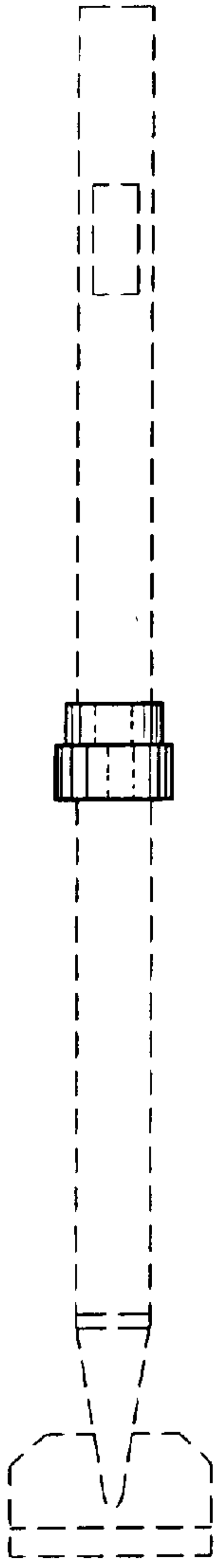


FIG. 1

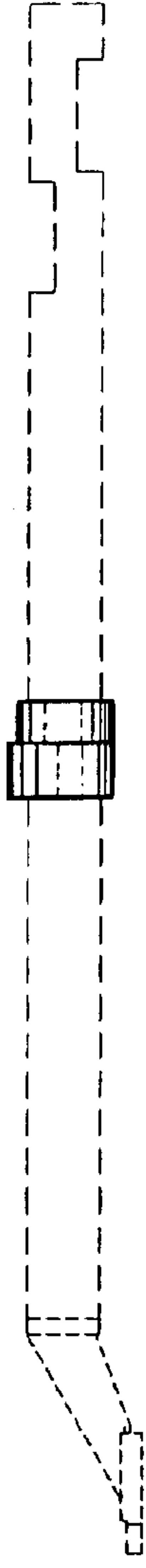


FIG. 2

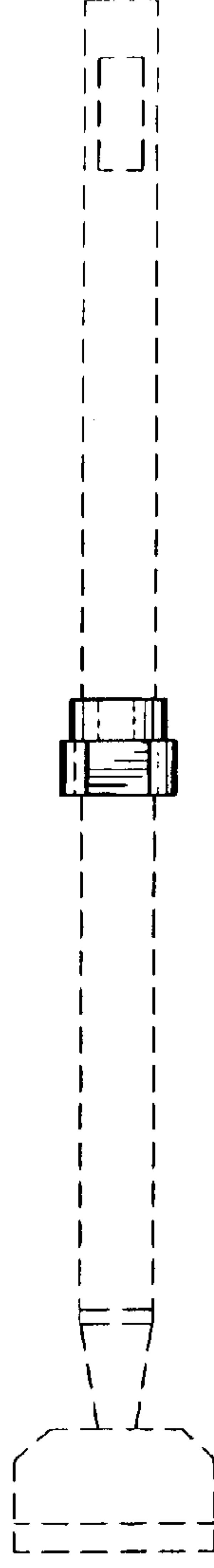


FIG. 3



FIG. 4



FIG. 5