



US00D489235S

(12) **United States Design Patent**
Hewett et al.

(10) **Patent No.:** **US D489,235 S**

(45) **Date of Patent:** **** May 4, 2004**

(54) **TORCH HEAD**

(75) Inventors: **Roger W. Hewett**, Plainfield, NH (US);
Kevin Horner-Richardson, Cornish,
NH (US)

(73) Assignee: **Thermal Dynamics Corporation**,
Lebanon, NH (US)

(**) Term: **14 Years**

(21) Appl. No.: **29/166,918**

(22) Filed: **Sep. 4, 2002**

(51) **LOC (7) Cl.** **08-08**

(52) **U.S. Cl.** **D8/30**

(58) **Field of Search** D8/30, 29.1; D15/144;
219/121.5, 121.48, 75, 121.51

(56) **References Cited**

U.S. PATENT DOCUMENTS

4,579,318	A	*	4/1986	Keedy	266/66
D289,967	S	*	5/1987	Green, Jr.	D8/30
4,967,055	A	*	10/1990	Raney et al.	219/121.5
D343,629	S	*	1/1994	Bode	D15/144
D346,390	S	*	4/1994	Sperling et al.	D15/144
5,597,497	A	*	1/1997	Dean et al.	219/121.48
6,096,993	A	*	8/2000	Marhic et al.	219/121.5

* cited by examiner

Primary Examiner—Philip S. Hyder

(74) *Attorney, Agent, or Firm*—Harness, Dickey & Pierce,
P.L.C.

(57) **CLAIM**

The ornamental design for a torch head, as shown and described.

DESCRIPTION

FIG. 1 is a perspective view of the torch head from the proximal end, wherein the dashed lines indicate changes in surface contour;

FIG. 2 is a perspective view thereof from the distal end, wherein the dashed lines indicate changes in surface contour;

FIG. 3 is a perspective view thereof from behind, looking toward the distal end, wherein the dashed lines indicate changes in surface contour;

FIG. 4 is a front elevation view thereof, wherein the dashed lines indicate changes in surface contour;

FIG. 5 is a back elevation view thereof, wherein the dashed lines indicate changes in surface contour;

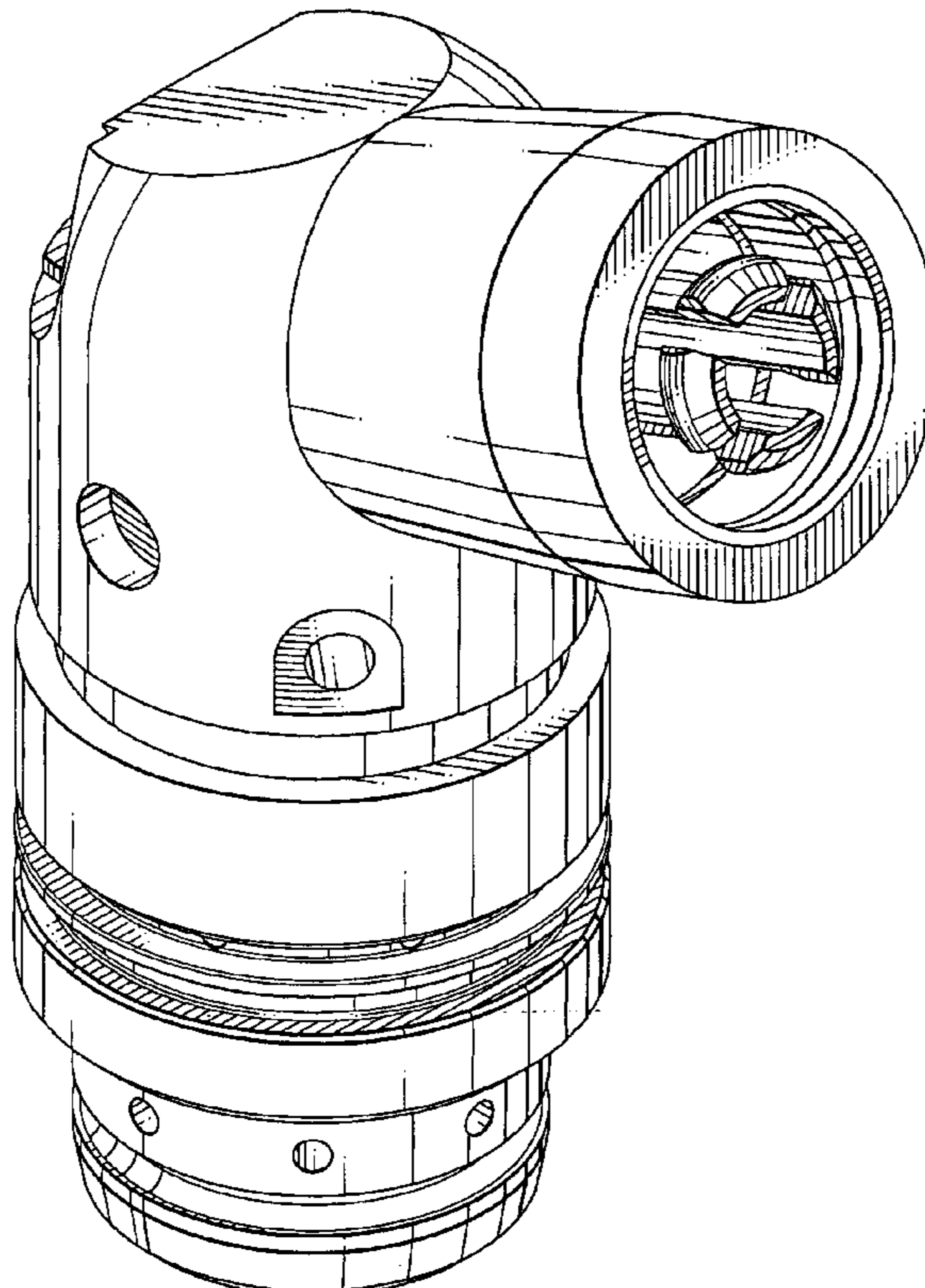
FIG. 6 is a left side elevation view thereof, wherein the dashed lines indicate changes in surface contour;

FIG. 7 is a right side elevation view thereof, wherein the dashed lines indicate changes in surface contour;

FIG. 8 is a top plan view thereof; and,

FIG. 9 is a bottom plan view thereof, wherein the dashed lines indicate changes in surface contour.

1 Claim, 9 Drawing Sheets



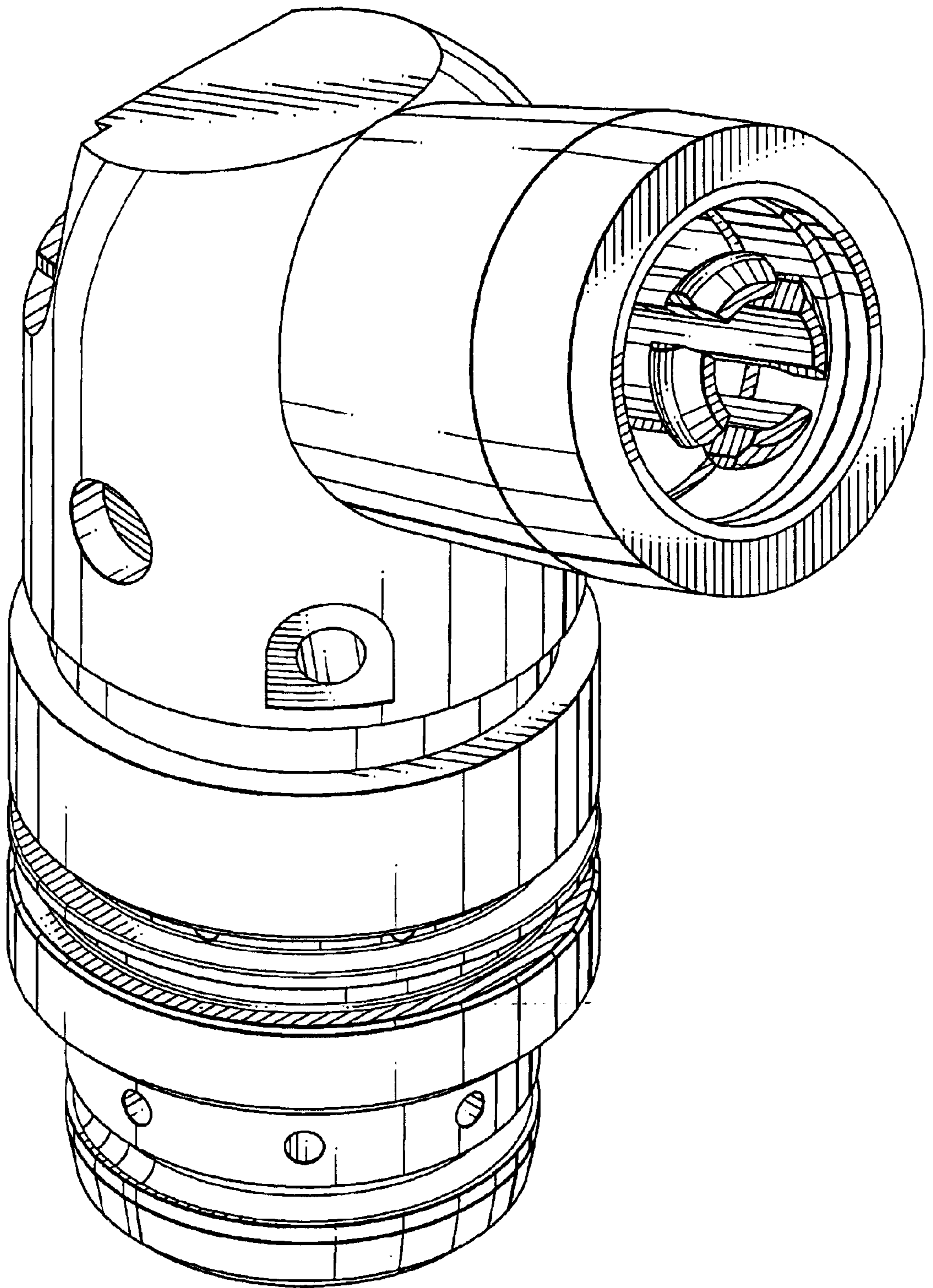


FIG. 1

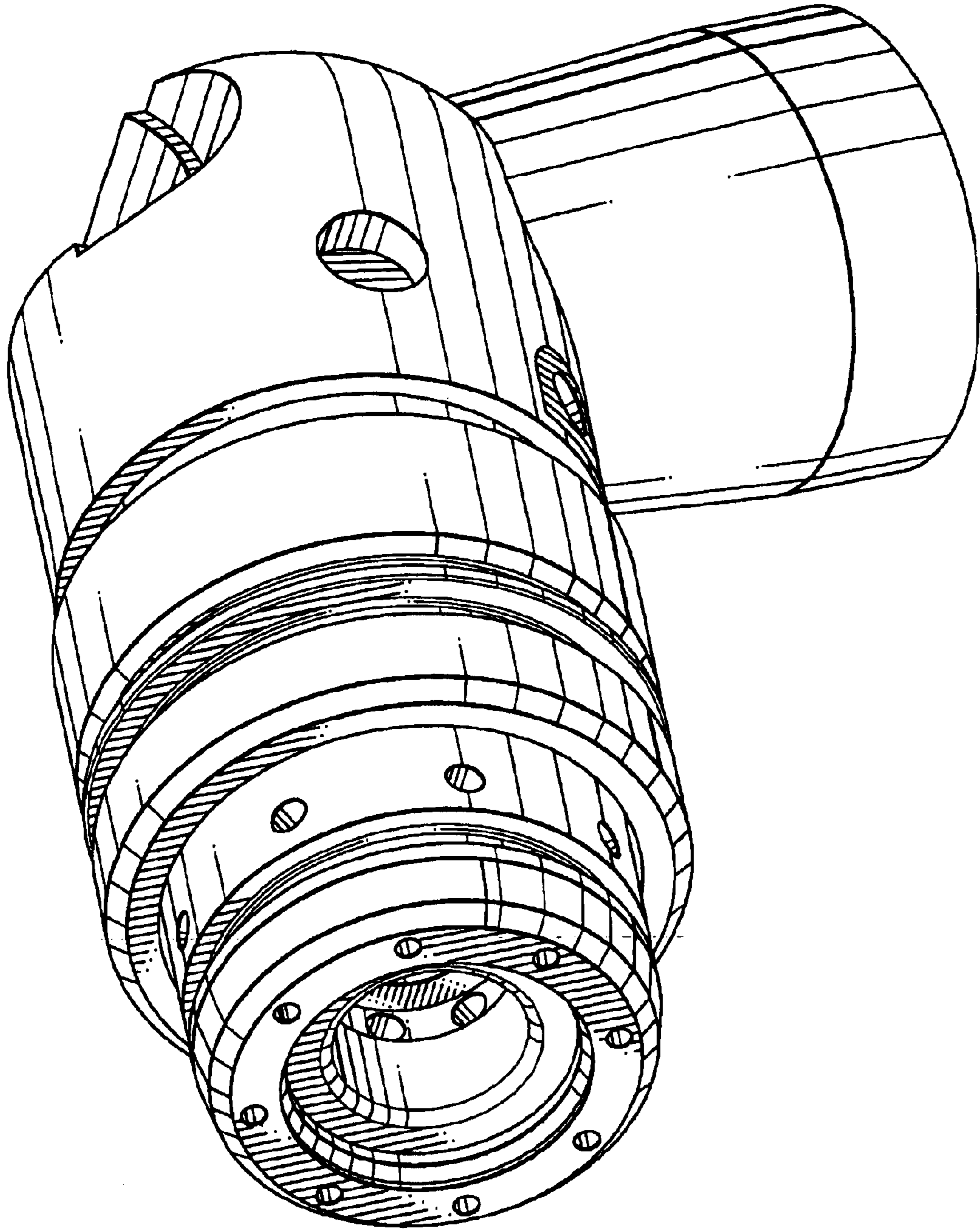


FIG. 2

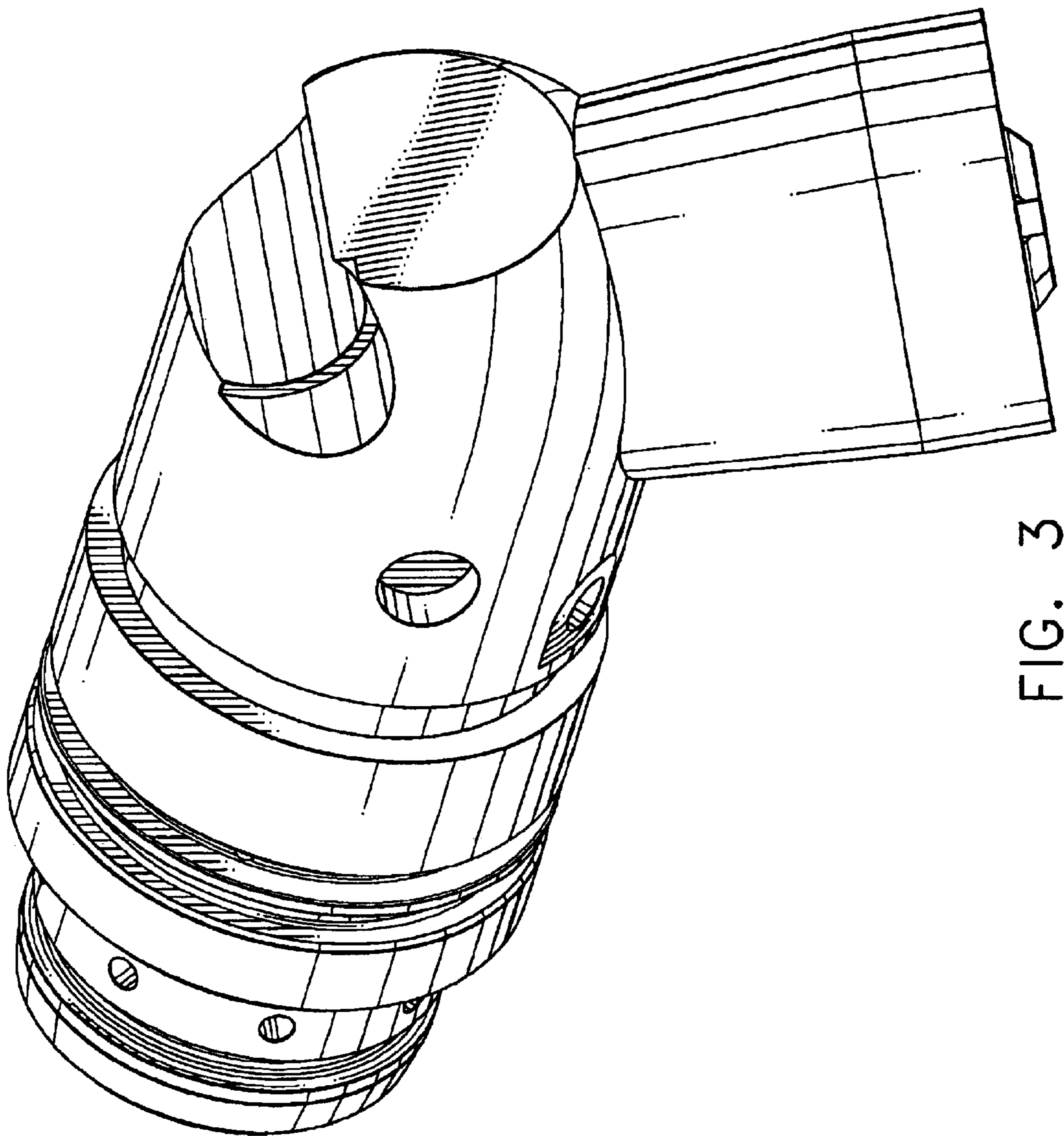


FIG. 3

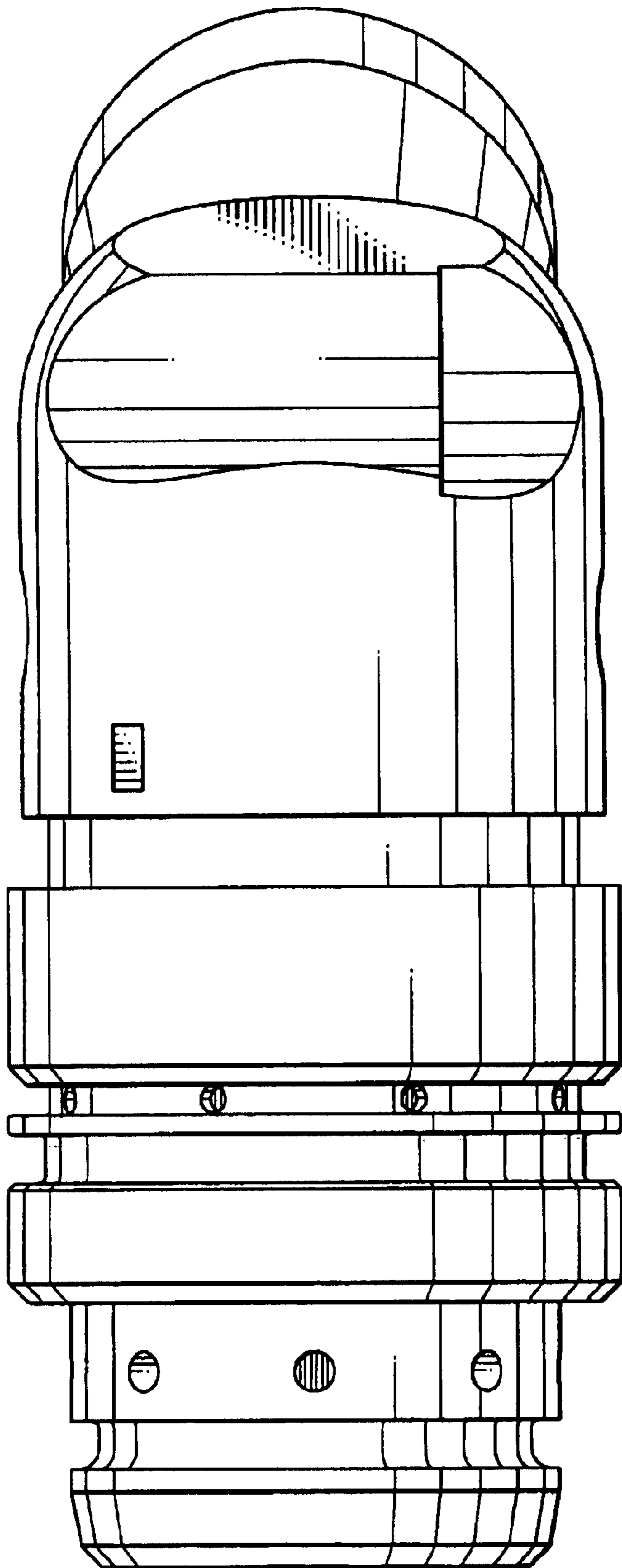


FIG. 4

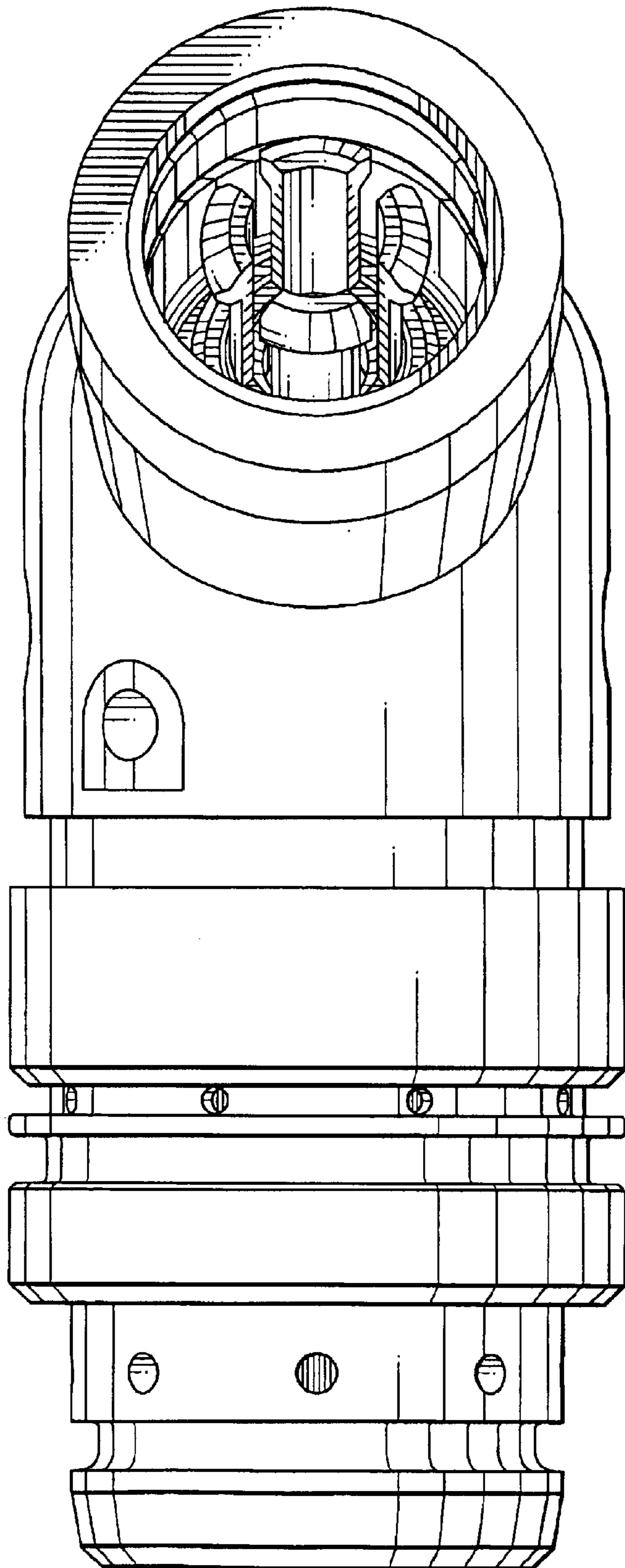


FIG. 5

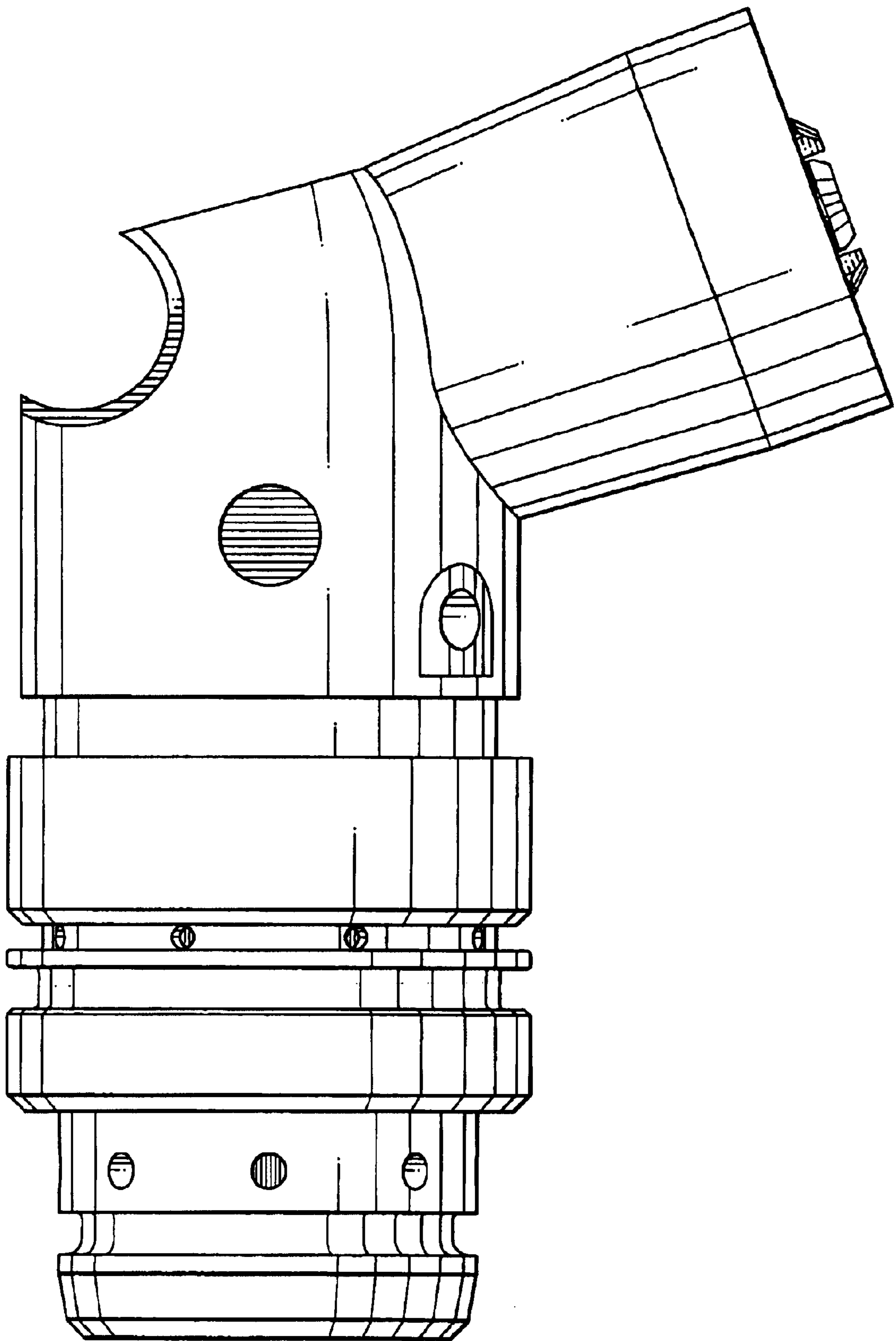


FIG. 6

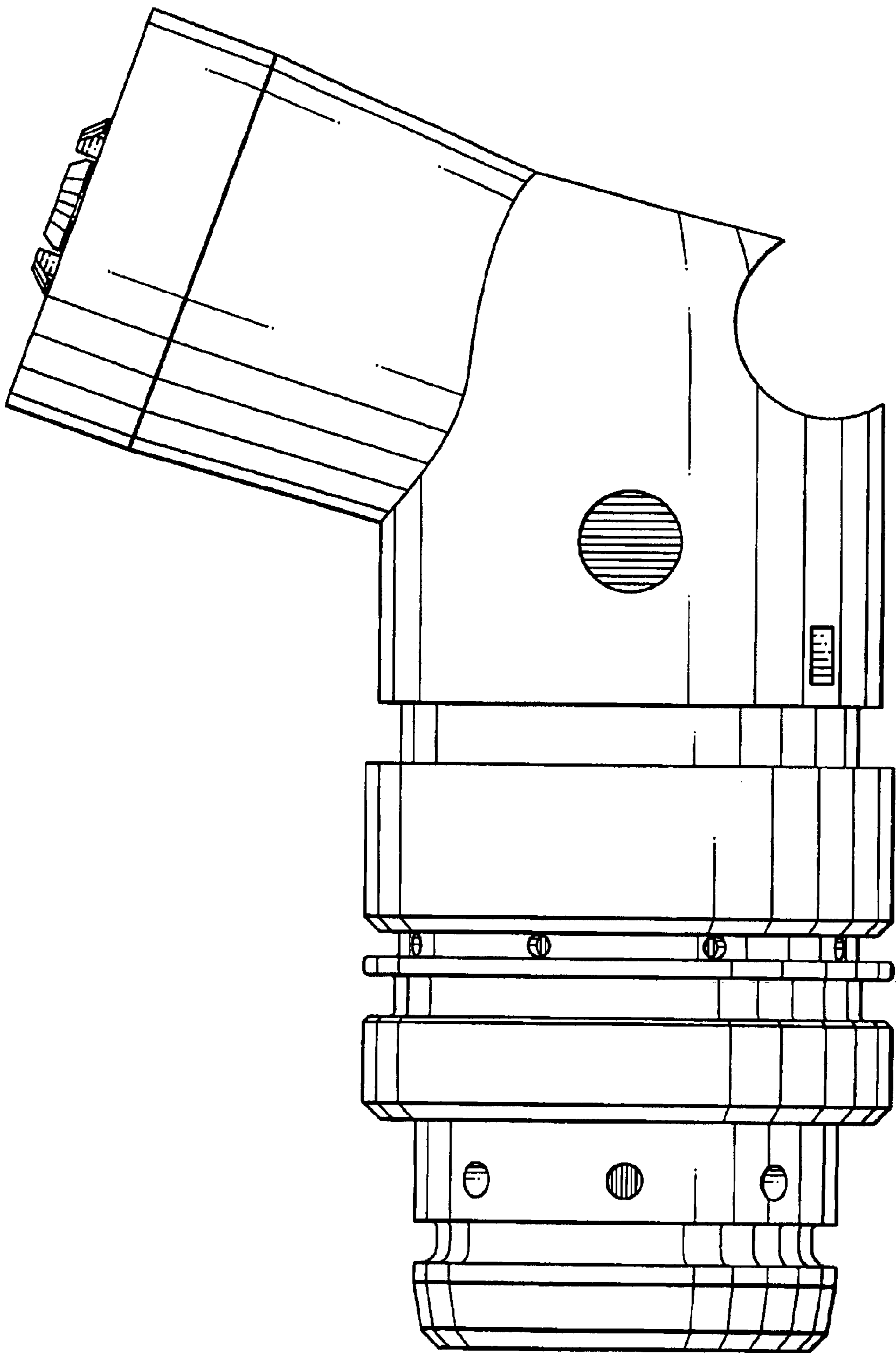


FIG. 7

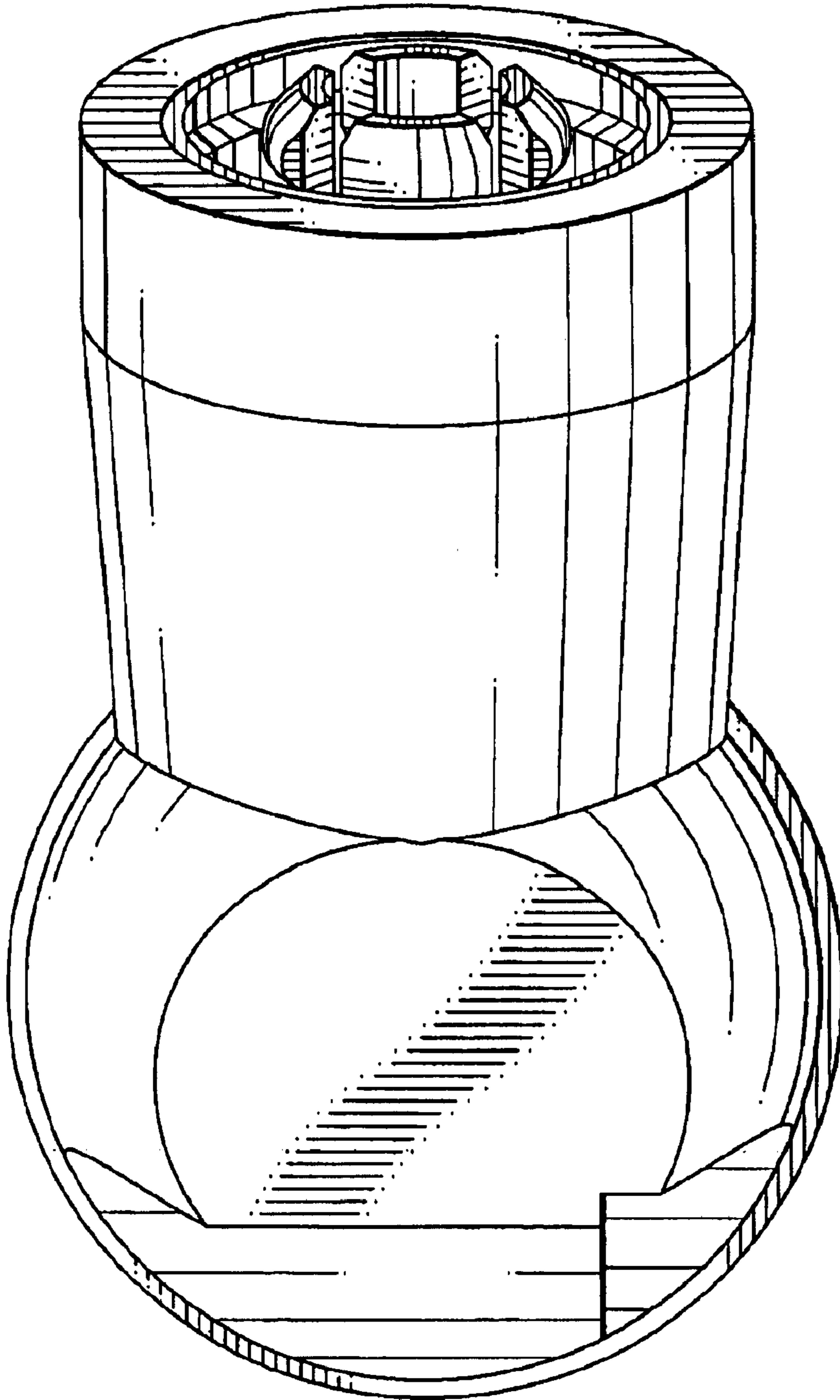


FIG. 8

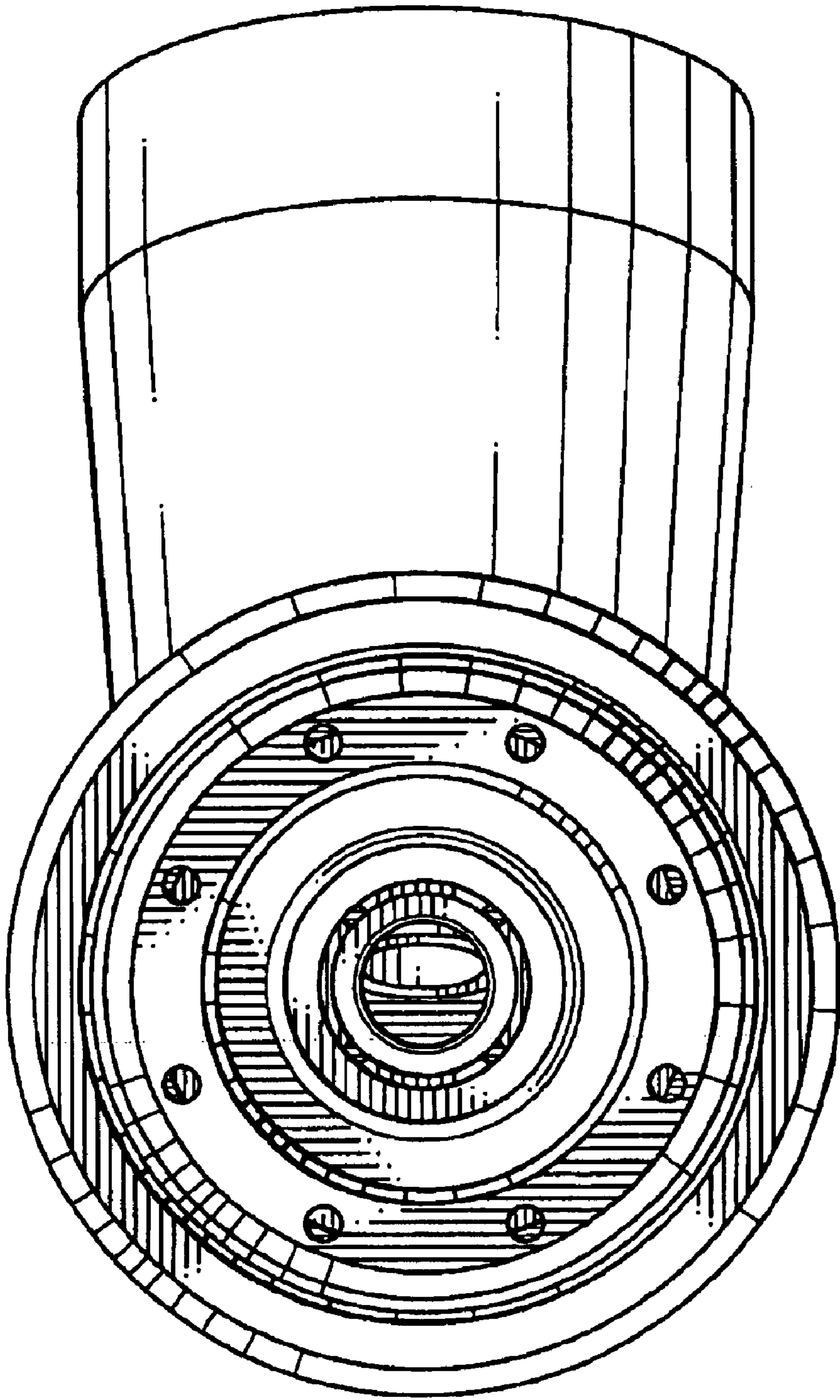


FIG. 9