



US00D489233S

(12) **United States Design Patent**
Loyaute et al.

(10) **Patent No.:** **US D489,233 S**

(45) **Date of Patent:** **** May 4, 2004**

(54) **RATCHET**

(75) Inventors: **Patrice Loyaute**, Coubert (FR);
Stéphane Thirouin, Paris (FR)

(73) Assignee: **Facom**, Morangis (FR)

(**) Term: **14 Years**

(21) Appl. No.: **29/167,876**

(22) Filed: **Sep. 24, 2002**

(30) **Foreign Application Priority Data**

Jul. 1, 2002 (FR) 02 3997

(51) **LOC (7) Cl.** **08-05**

(52) **U.S. Cl.** **D8/25**

(58) **Field of Search** D8/21-29; 81/60-63.2,
81/177.1, 177.85, 489, 52

(56) **References Cited**

U.S. PATENT DOCUMENTS

4,602,534 A * 7/1986 Moetteli 81/177.85

D340,628 S * 10/1993 Chow D8/25
D397,597 S * 9/1998 Davidson et al. D8/25
D423,891 S * 5/2000 Melvin et al. D8/25
D439,480 S * 3/2001 Hsu D8/25

* cited by examiner

Primary Examiner—Raphael Barkai

(74) *Attorney, Agent, or Firm*—Wenderoth, Lind & Ponack,
L.L.P.

(57) **CLAIM**

The ornamental design for a ratchet, as shown.

DESCRIPTION

FIG. 1 is a top view of a ratchet according to the present design.

FIG. 2 is a bottom view of the ratchet shown in FIG. 1.

FIG. 3 is a perspective front view of the ratchet shown in FIG. 1; and,

FIG. 4 is a perspective rear view of the ratchet shown in FIG. 1.

1 Claim, 4 Drawing Sheets

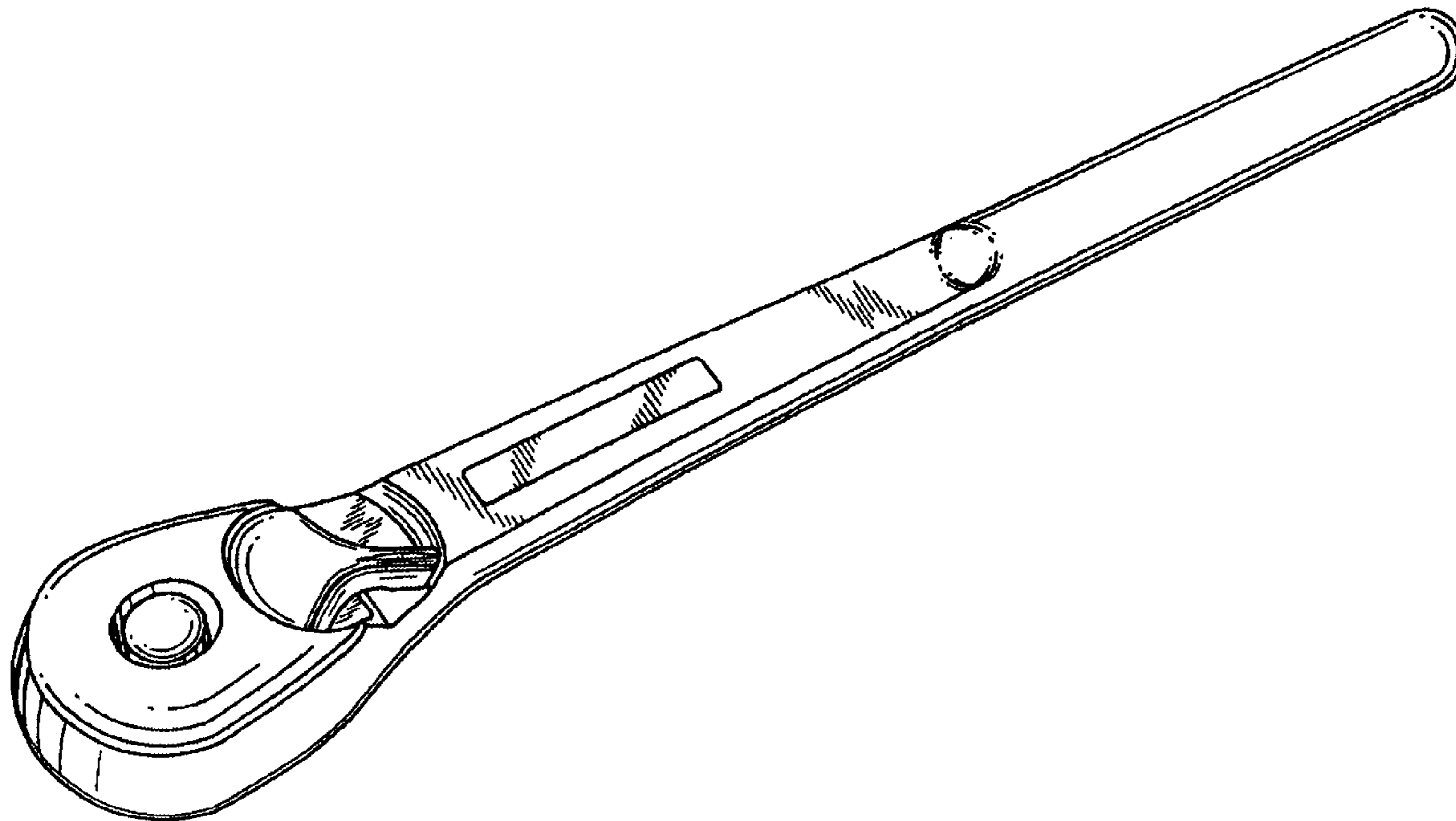


FIG. 1

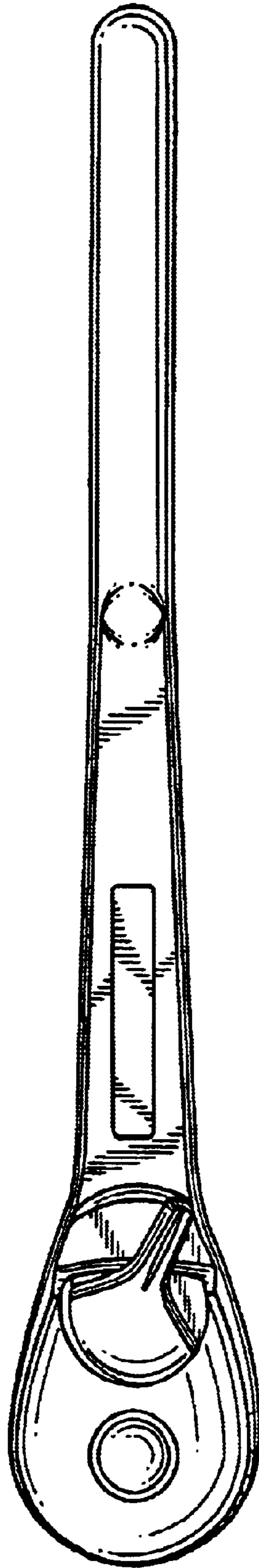
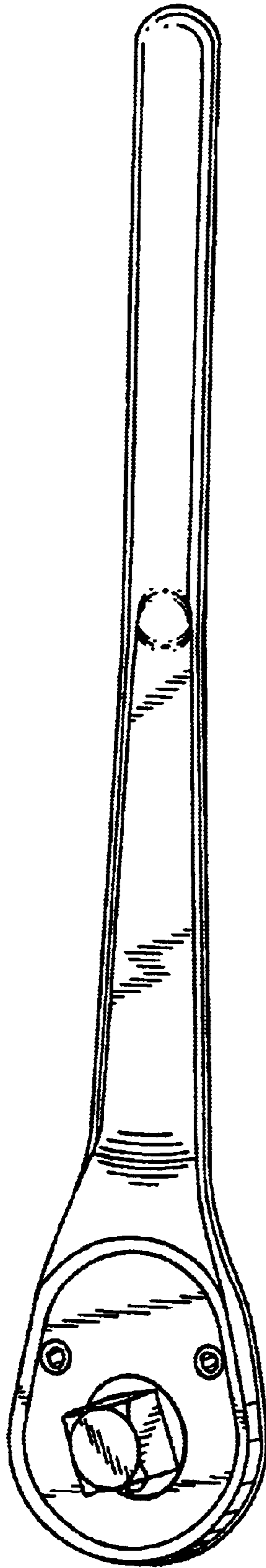


FIG. 2



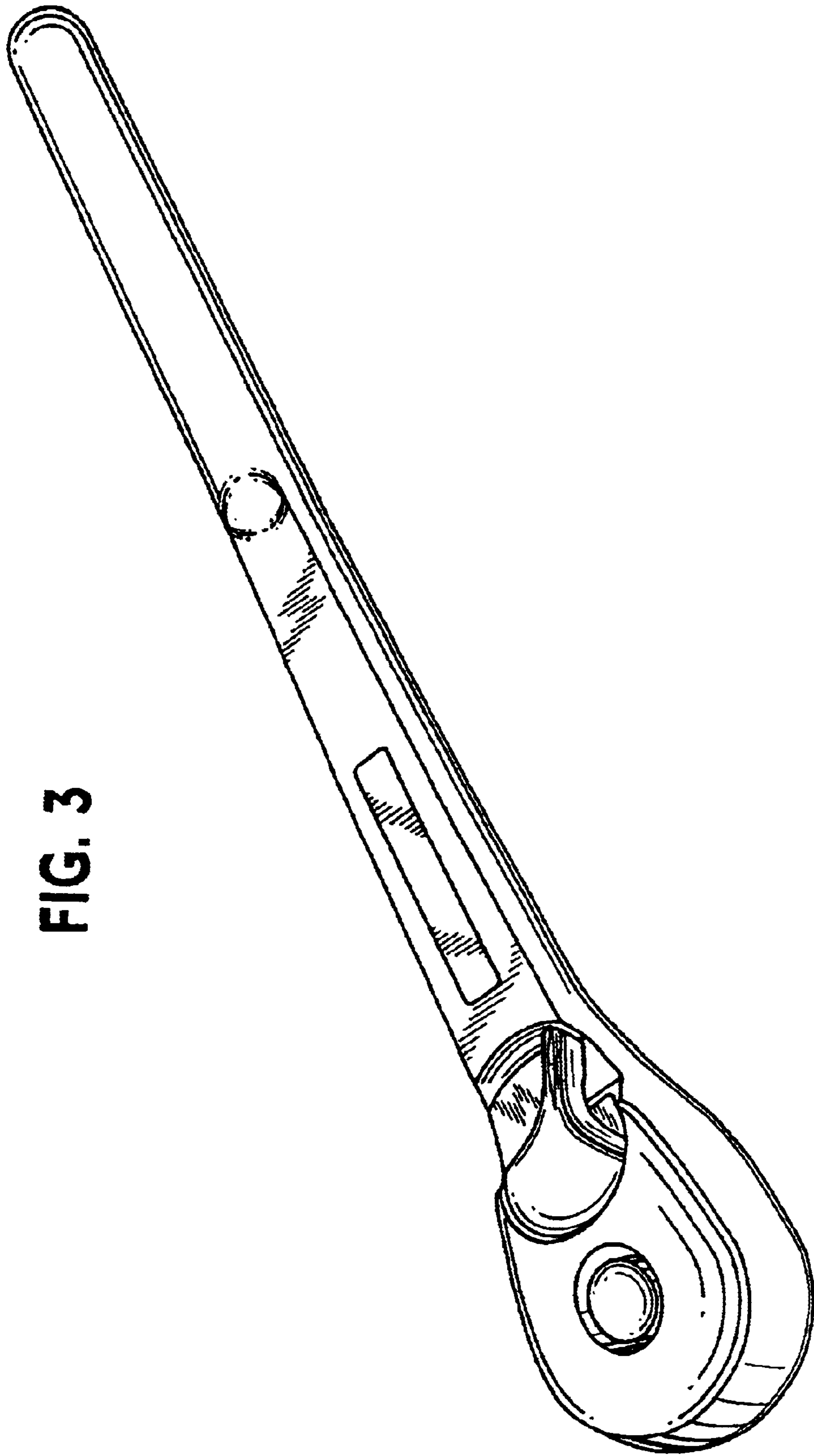


FIG. 3

FIG. 4

