



US00D489232S

(12) **United States Design Patent**  
**Arroyo**

(10) **Patent No.:** **US D489,232 S**

(45) **Date of Patent:** **\*\* May 4, 2004**

(54) **TROWL**

(76) **Inventor:** **Carlos J. Arroyo**, 811 W. 19th St.,  
#648, Costa Mesa, CA (US) 92627

(\*\*) **Term:** **14 Years**

(21) **Appl. No.:** **29/189,925**

(22) **Filed:** **Sep. 15, 2003**

(51) **LOC (7) Cl.** ..... **08-01**

(52) **U.S. Cl.** ..... **D8/10**

(58) **Field of Search** ..... D8/10, 11; 172/371,  
172/372; 7/114-116

(56) **References Cited**

**U.S. PATENT DOCUMENTS**

858,826 A *	7/1907	Pratt	.....	294/49
1,739,489 A *	12/1929	Wagner	.....	172/381
D297,605 S *	9/1988	Weitekamp	.....	D8/11
D332,207 S *	1/1993	Bojar	.....	D8/11

\* cited by examiner

*Primary Examiner*—Holly Baynham

(74) *Attorney, Agent, or Firm*—Moreland C. Fischer

(57) **CLAIM**

The ornamental design for a trowl, as shown and described.

**DESCRIPTION**

FIG. 1 is a perspective view showing the top and left side of a trowl which forms my new design, the broken lines showing a handle in this and other figures being for illustrative purposes only and forming no part of my design;

FIG. 2 is a left side elevational view thereof;

FIG. 3 is a right side elevational view thereof;

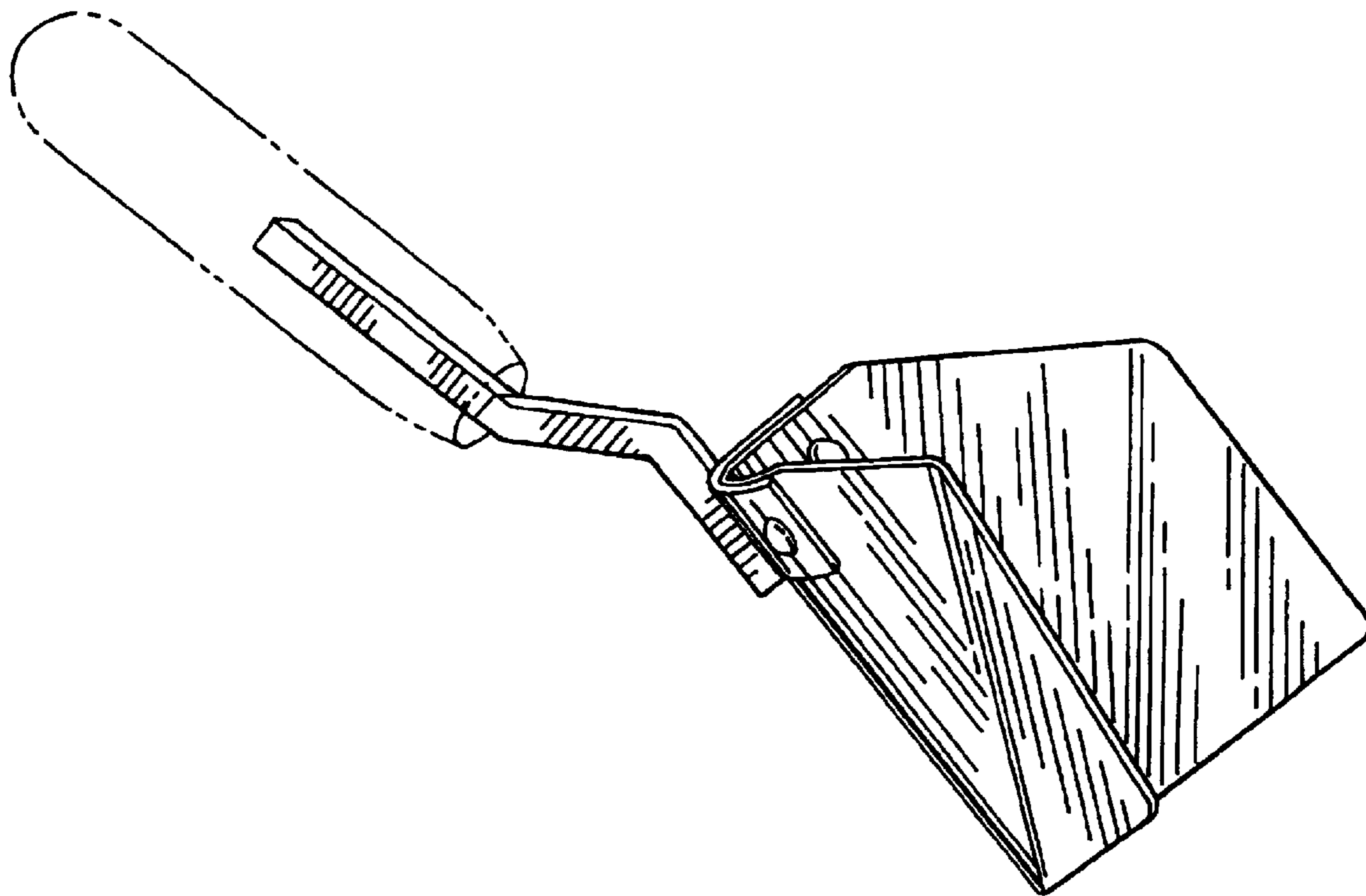
FIG. 4 is a rear elevational view thereof;

FIG. 5 is a front elevational view thereof;

FIG. 6 is a top plan view thereof; and,

FIG. 7 is a bottom plan view thereof.

**1 Claim, 4 Drawing Sheets**



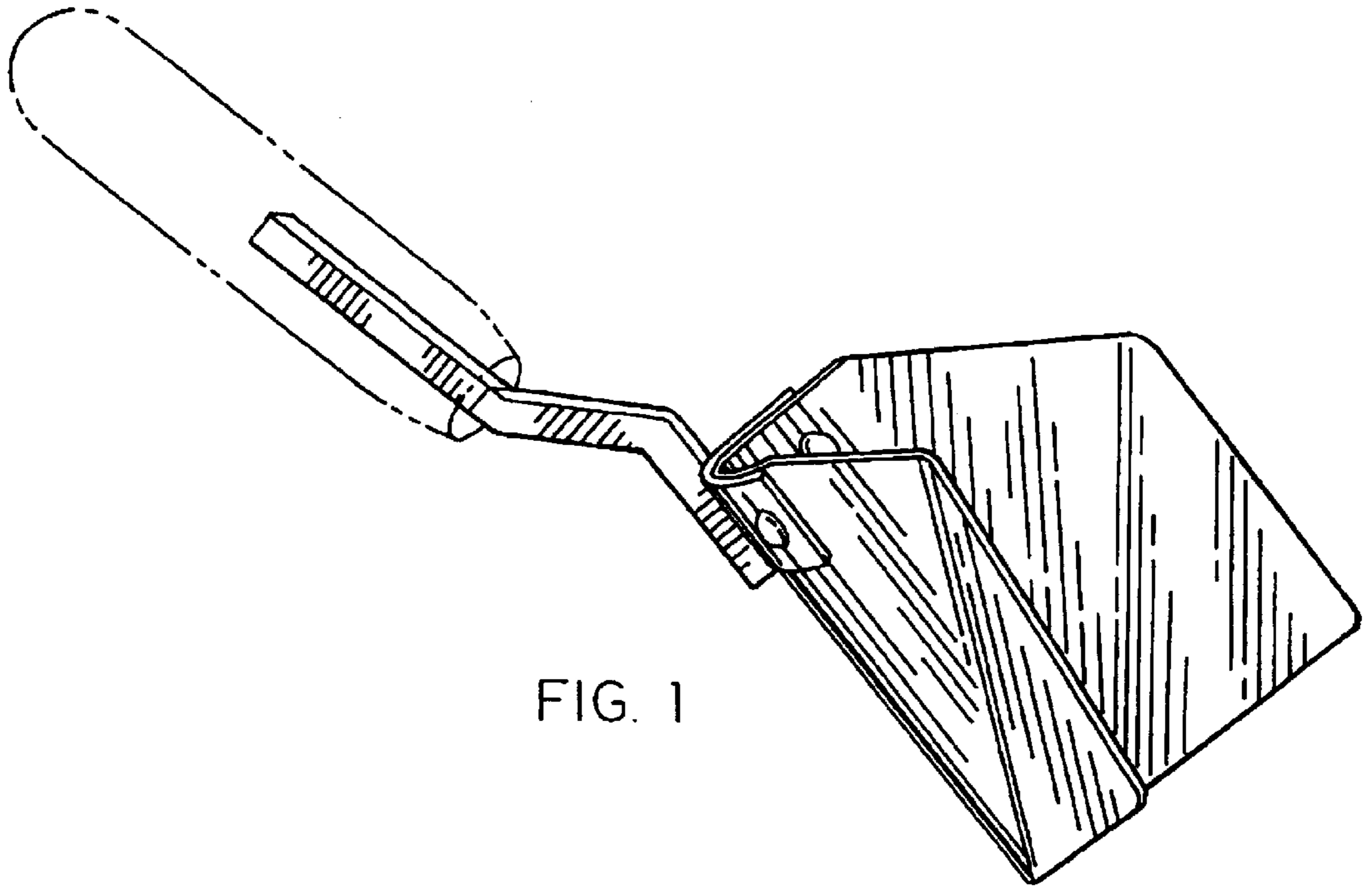


FIG. 1

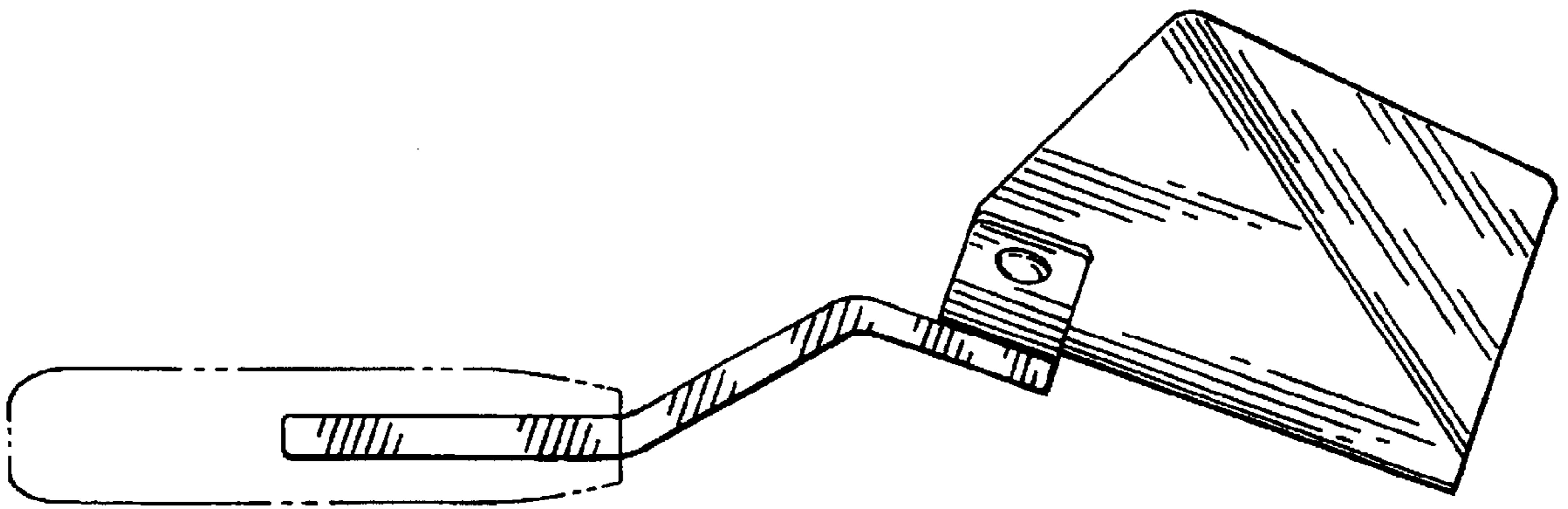


FIG. 2

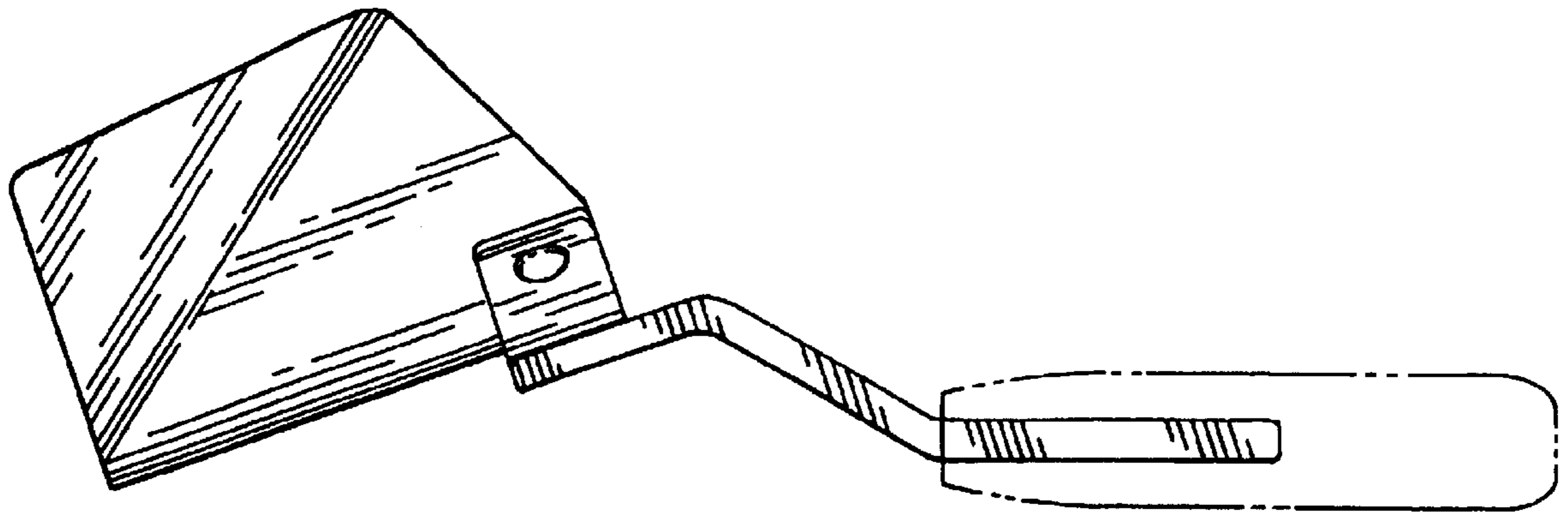


FIG. 3

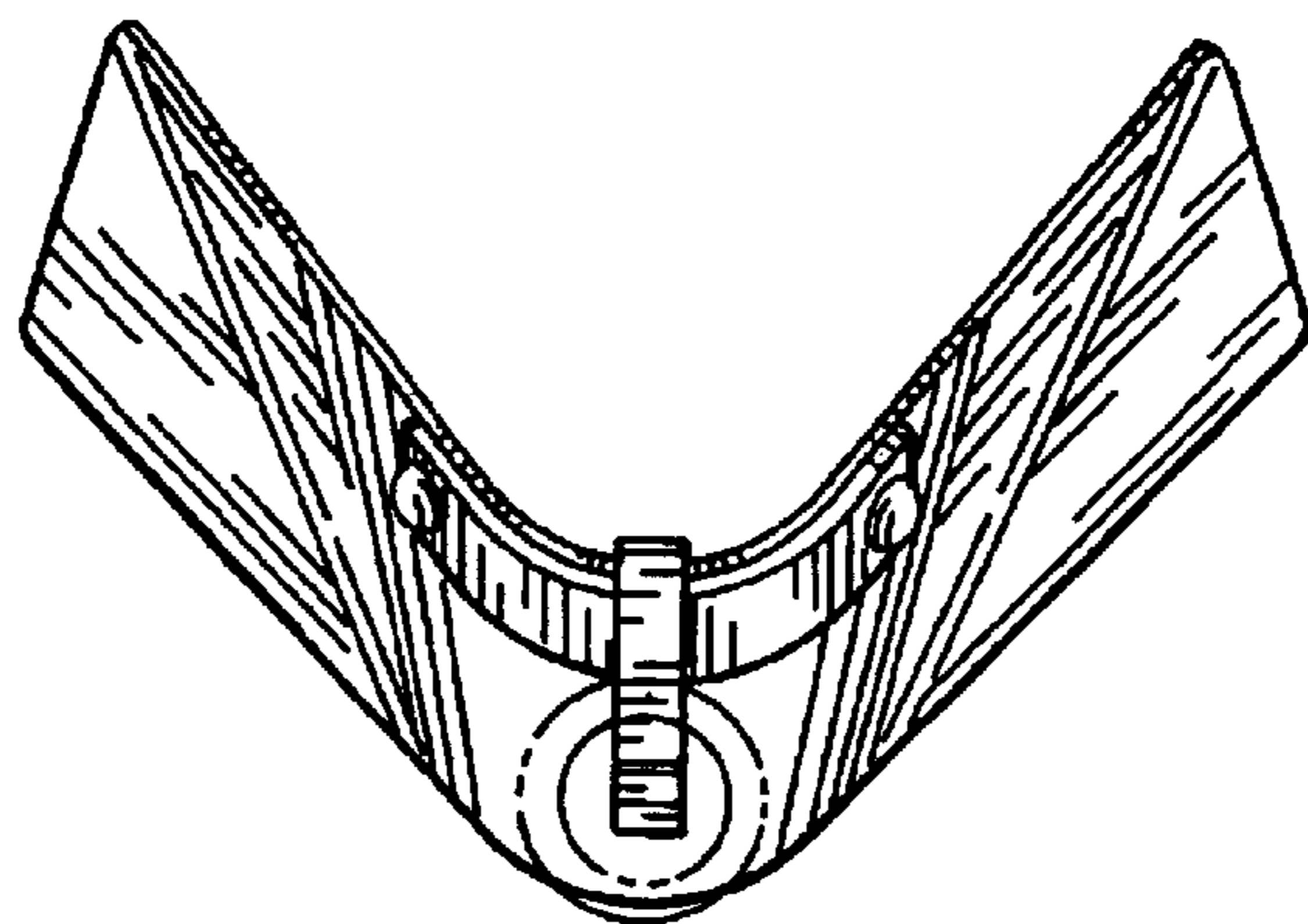


FIG. 4

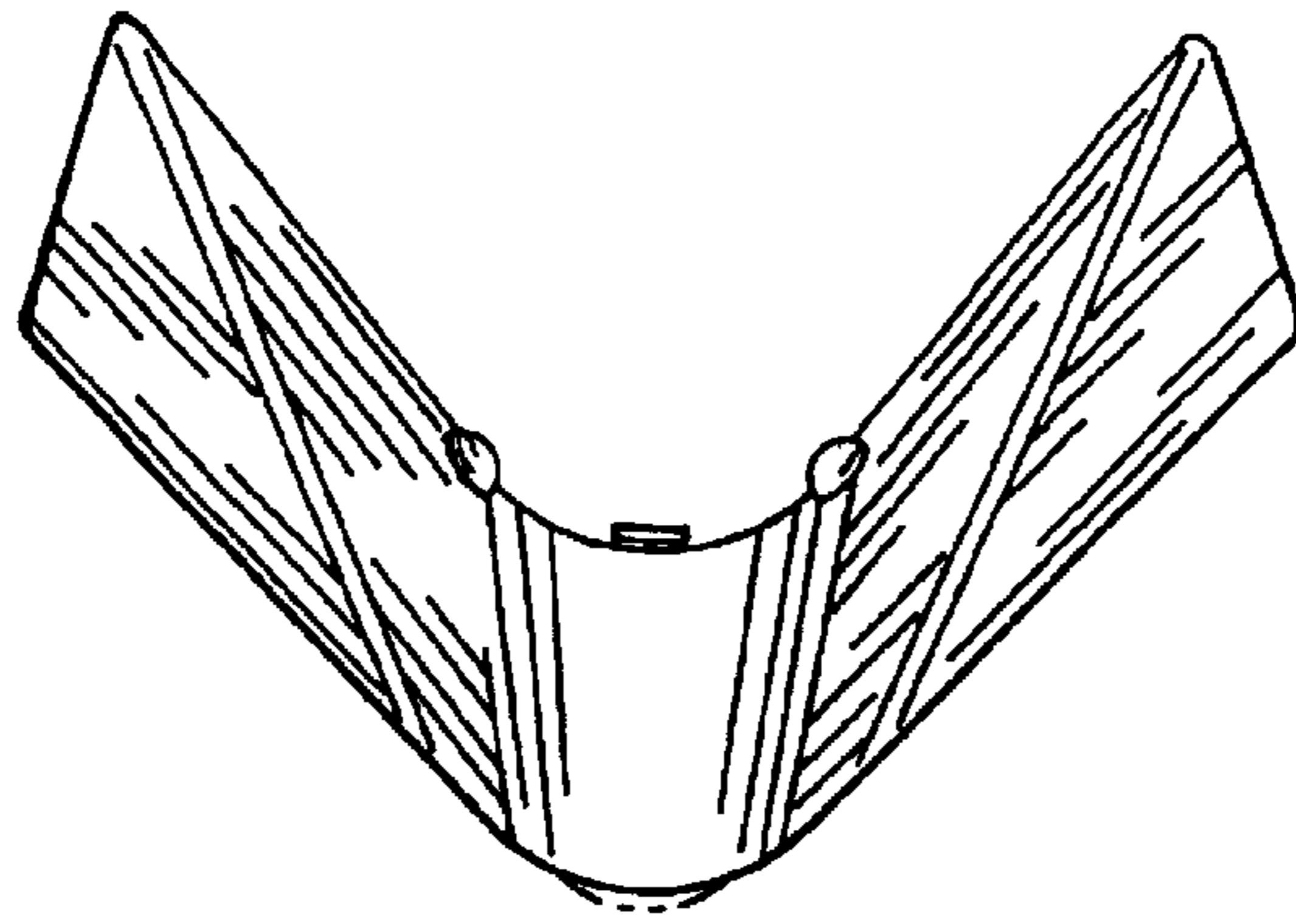


FIG. 5

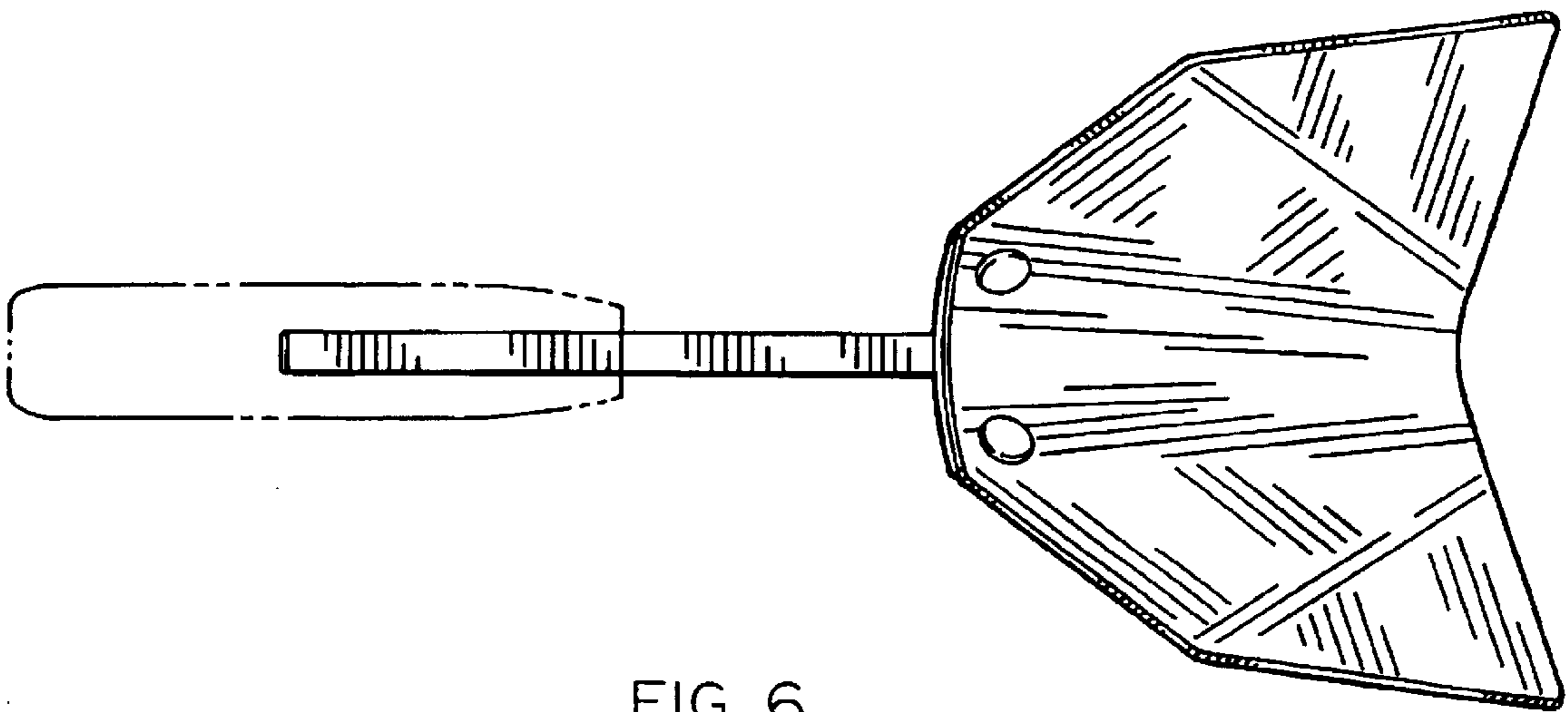


FIG. 6

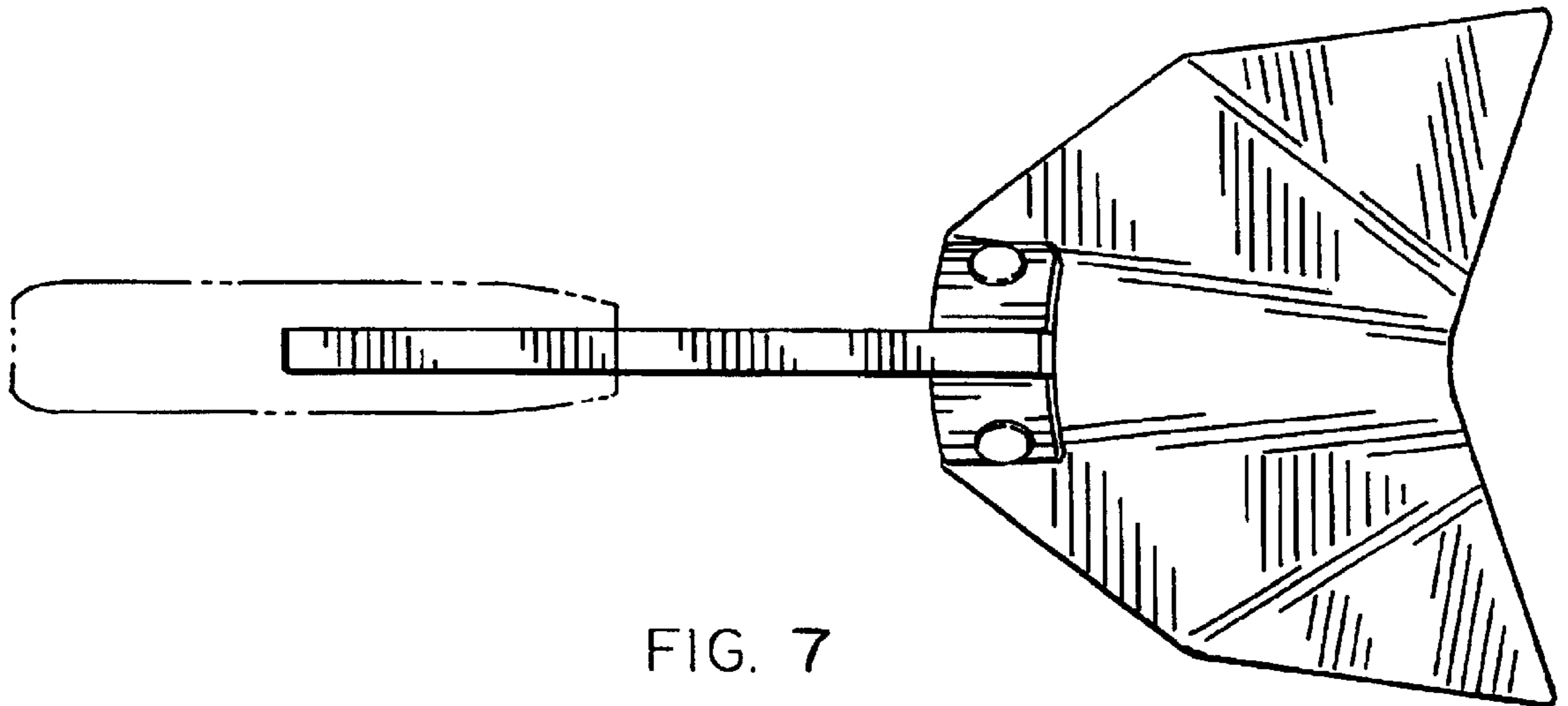


FIG. 7