



US00D489229S

(12) **United States Design Patent**
Yamane

(10) **Patent No.:** **US D489,229 S**

(45) **Date of Patent:** **** May 4, 2004**

(54) **CLOTH BOTTLE COVER WITH SHIRT DESIGN**

JP 14 1140786 S * 3/2002

* cited by examiner

(75) Inventor: **Yusaku Yamane**, Kobe (JP)

Primary Examiner—Terry A. Wallace

(73) Assignee: **Felissimo Corp.**, Kobe (JP)

(74) *Attorney, Agent, or Firm*—Hughes Hubbard & Reed LLP; Ronald Abramson; Sheryl L. Sandridge

(**) Term: **14 Years**

(57) **CLAIM**

(21) Appl. No.: **29/157,391**

I claim the ornamental design for a cloth bottle cover with shirt design, as shown and described.

(22) Filed: **Mar. 15, 2002**

DESCRIPTION

(51) **LOC (7) Cl.** **07-06**

(52) **U.S. Cl.** **D7/625; D6/828**

(58) **Field of Search** D7/624, 625; D9/444;
D2/828, 830–832, 839, 741, 719, 725, 745,
746; 428/7, 35.7, 35.8, 36.1, 36.5

FIG. 1 shows a front isometric view of one configuration of the shirt cloth bottle cover according to the invention.

FIG. 2 is a front view of the shirt cloth bottle cover according to the invention.

FIG. 3 is a back view of a shirt cloth bottle cover according to the invention.

FIG. 4 is a left side view of a shirt cloth bottle cover according to the invention.

FIG. 5 is a top view of a shirt cloth bottle cover according to the invention; and,

FIG. 6 is a bottom view of a shirt cloth bottle cover according to the invention.

The broken lines are for illustrative purposes only and form no part of the claimed design.

(56) **References Cited**

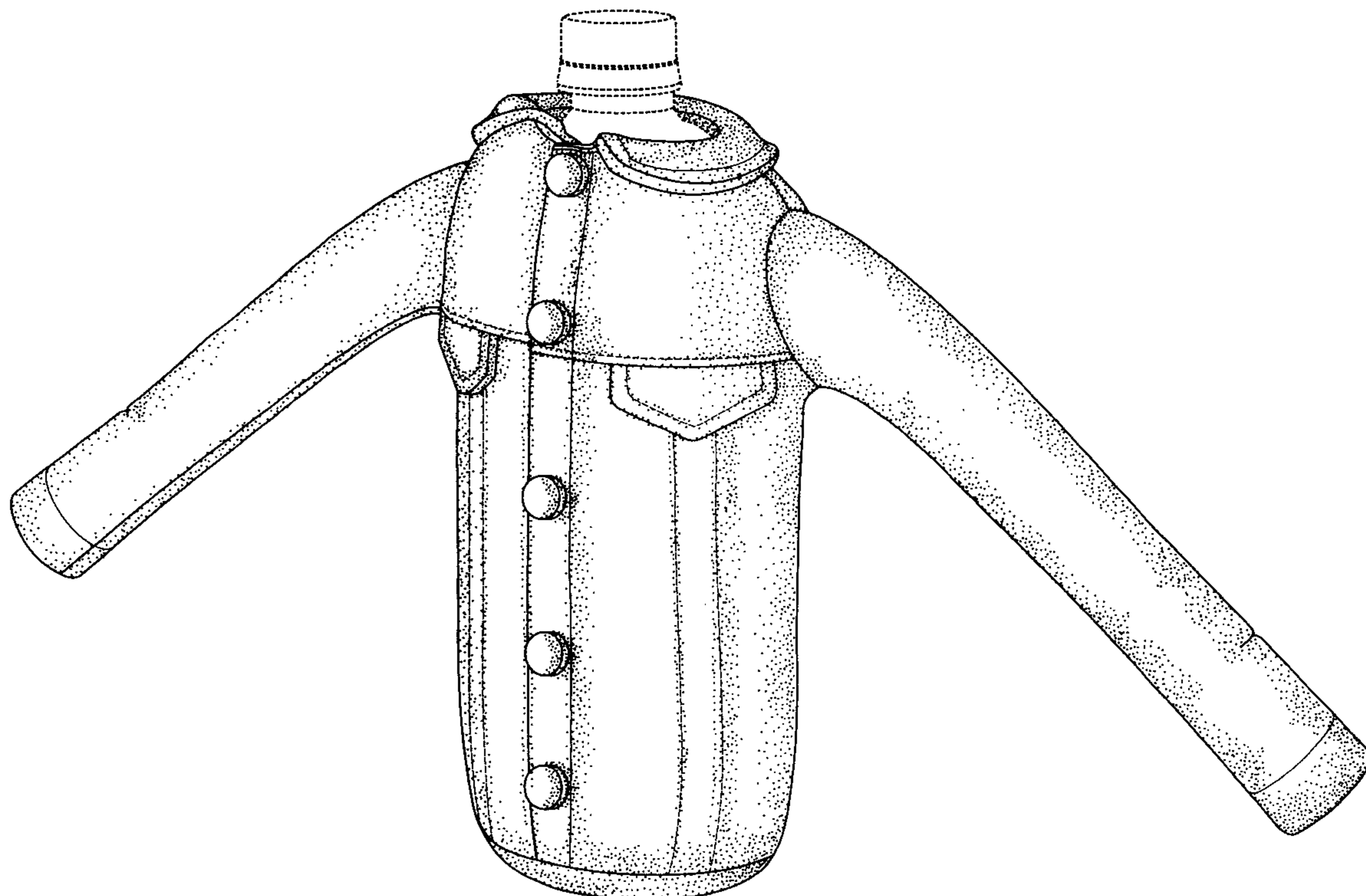
U.S. PATENT DOCUMENTS

2,617,106 A * 11/1952 Pritzker D2/832 X
4,867,214 A * 9/1989 Fuller 428/35.8
D384,189 S * 9/1997 Tobias D2/828

FOREIGN PATENT DOCUMENTS

JP 13 1131830 S * 11/2001
JP 13 1131995 S * 11/2001
JP 13 1131996 S * 11/2001
JP 13 1131997 S * 11/2001

1 Claim, 5 Drawing Sheets



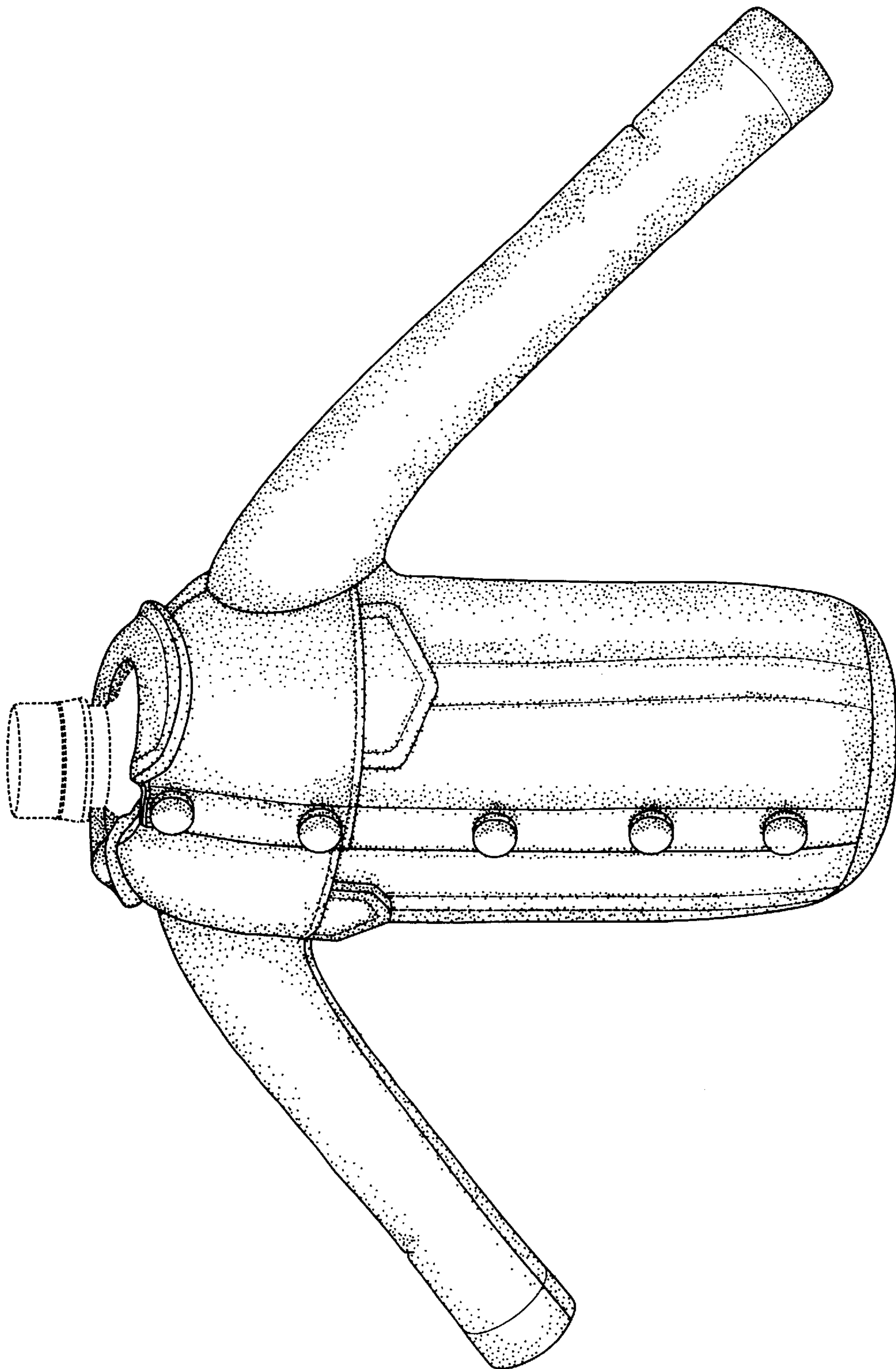


FIG. 1

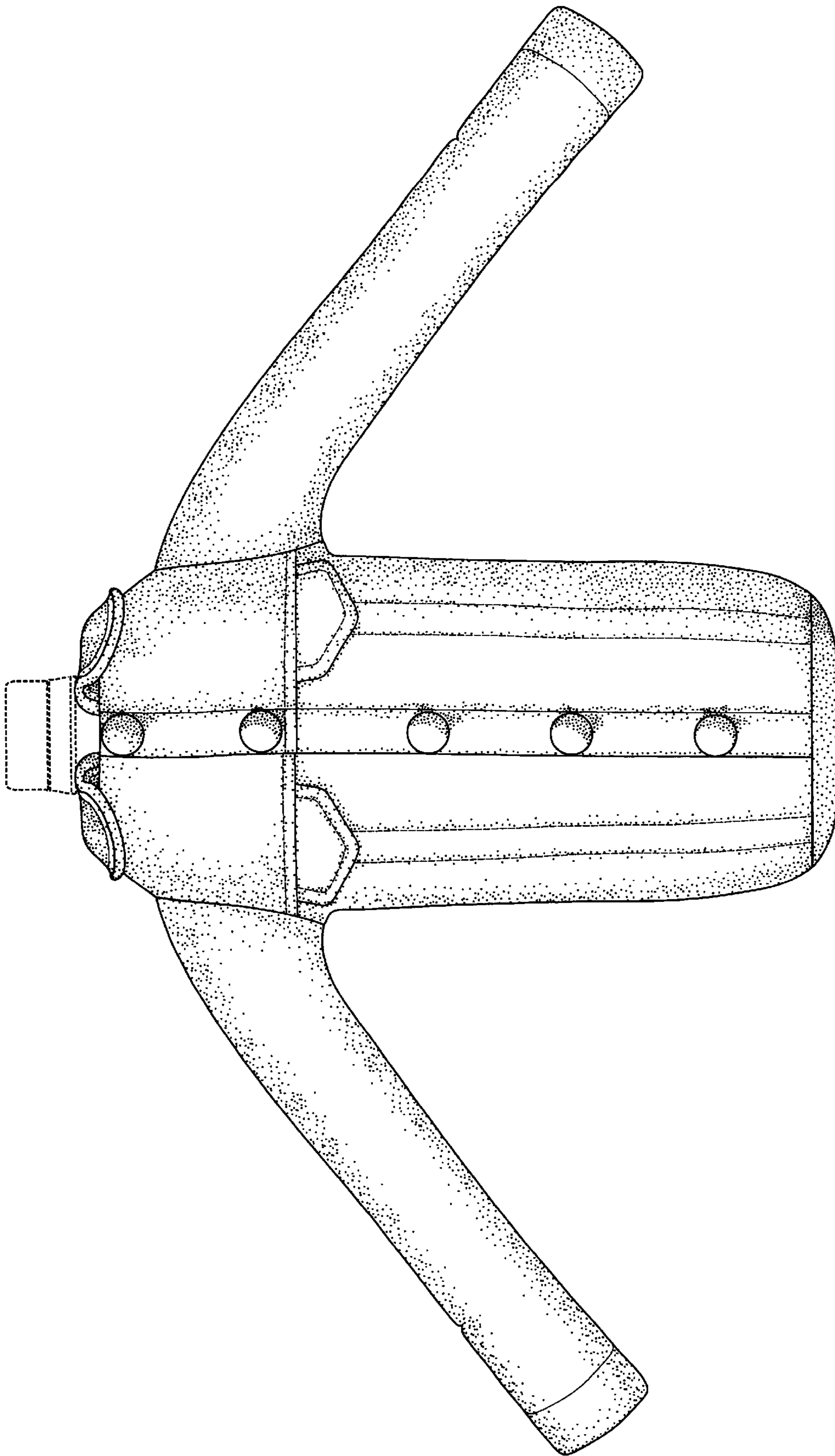


FIG. 2

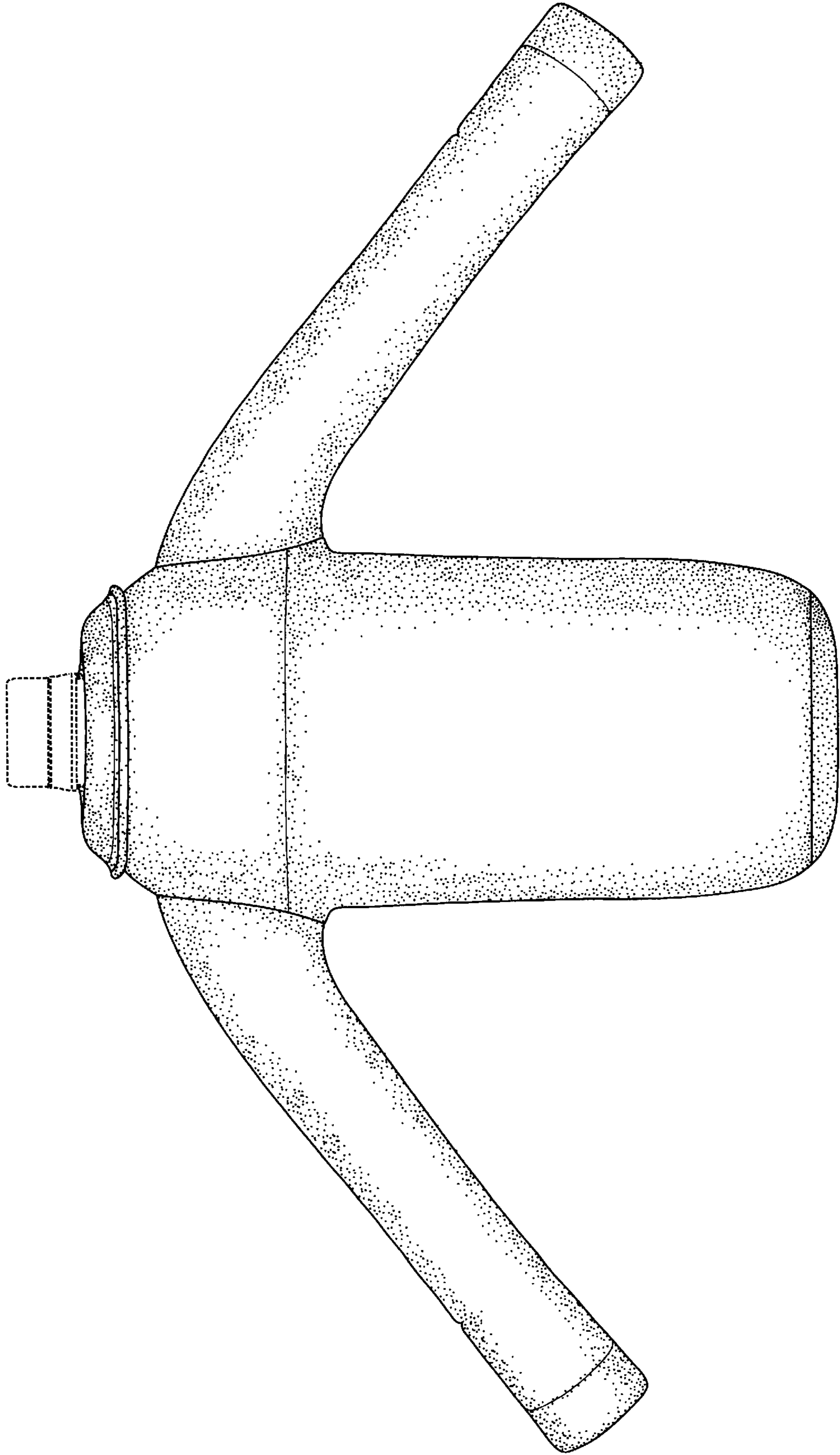


FIG. 3

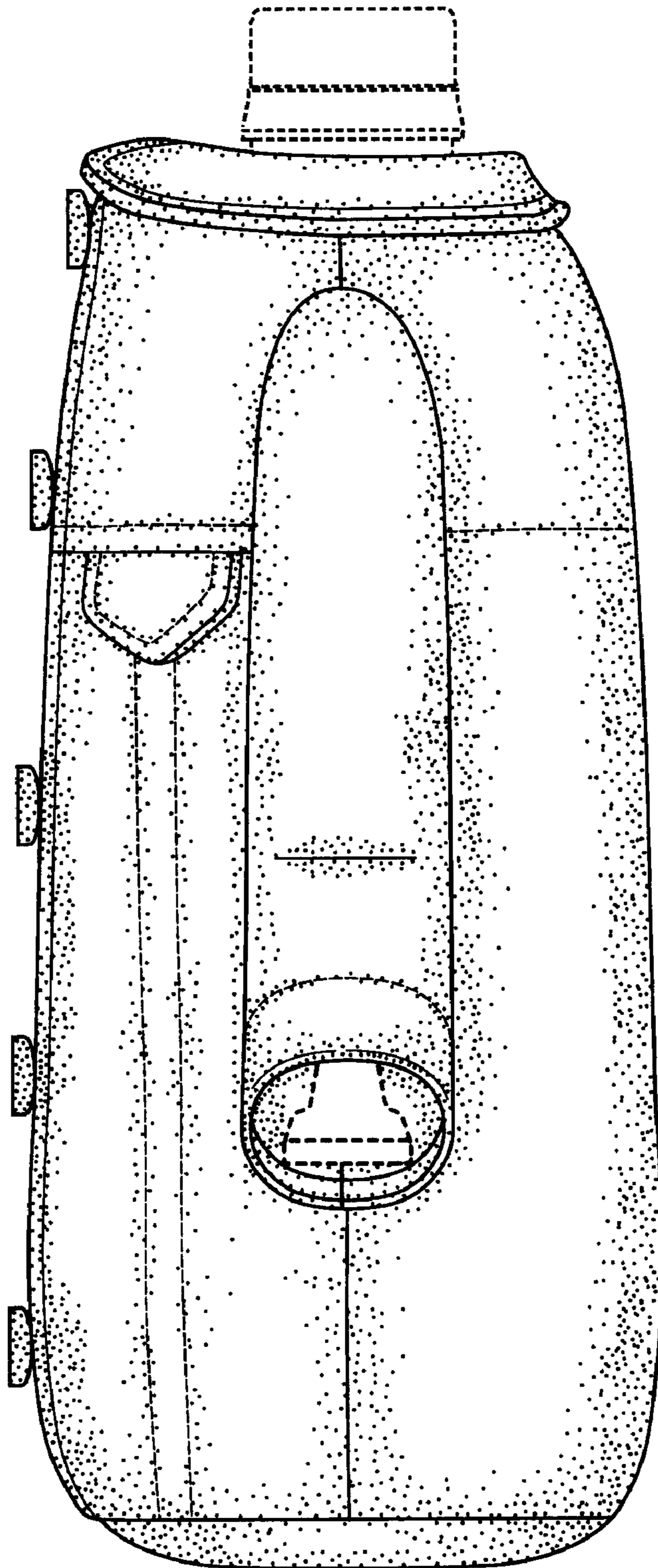


FIG. 4

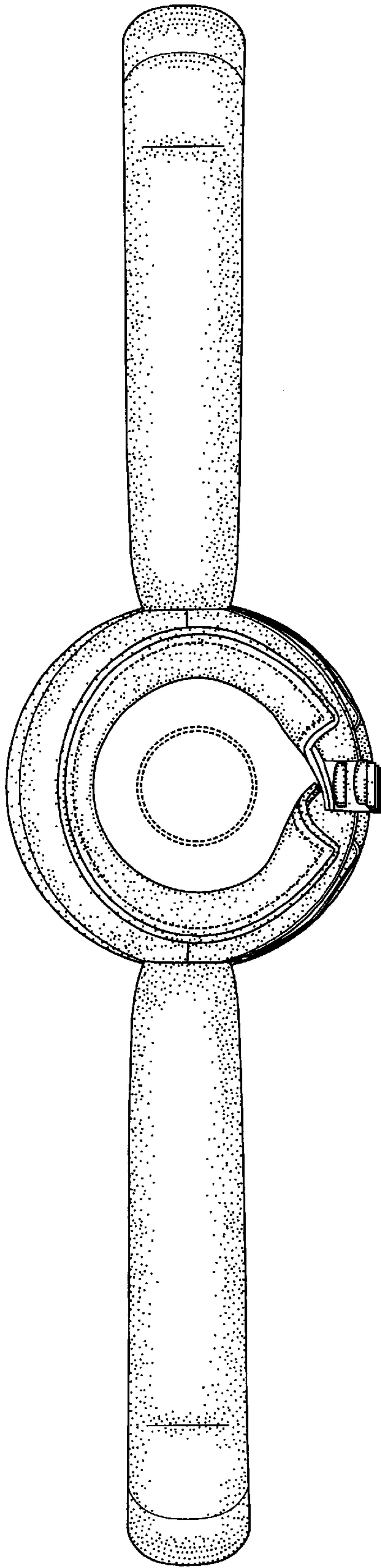


FIG. 5

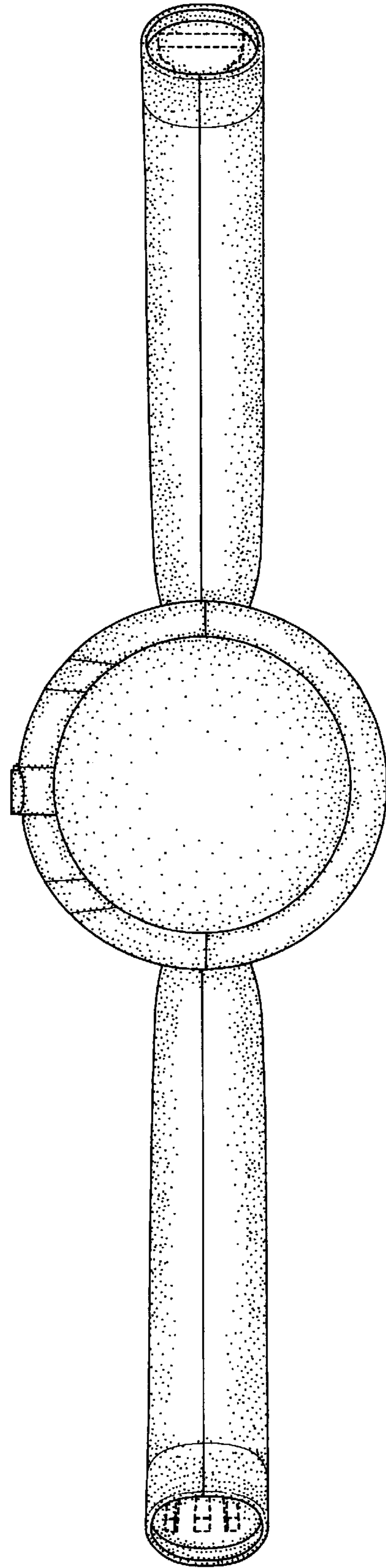


FIG. 6