



US00D489221S

(12) **United States Design Patent**
Pai

(10) **Patent No.:** **US D489,221 S**

(45) **Date of Patent:** **** May 4, 2004**

(54) **ROASTER**

(76) **Inventor:** **Lucas Pai**, 8 FL.-2, No. 160, Sec. 1,
Chung-Kang Rd., Taichung (TW)

(**) **Term:** **14 Years**

(21) **Appl. No.:** **29/177,896**

(22) **Filed:** **Mar. 19, 2003**

(51) **LOC (7) Cl.** **07-02**

(52) **U.S. Cl.** **D7/334**

(58) **Field of Search** D7/323, 332-337,
D7/354, 402-404; 126/25 R, 25 A, 25 AA,
38, 37 A, 41 R, 40; 99/450, 481-482

(56) **References Cited**

U.S. PATENT DOCUMENTS

- D324,622 S * 3/1992 Baynes et al. D7/334
- 5,623,866 A * 4/1997 Home 99/444
- D404,963 S * 2/1999 Schlosser et al. D7/334
- D406,490 S * 3/1999 Daniels et al. D7/334
- D437,177 S * 2/2001 Giebel et al. D7/334

- D450,215 S * 11/2001 Wood et al. D7/334
- D461,359 S * 8/2002 Coleman et al. D7/334
- D465,123 S * 11/2002 Coleman et al. D7/334
- D465,693 S * 11/2002 Coleman et al. D7/334

* cited by examiner

Primary Examiner—Ruth McInroy

(74) *Attorney, Agent, or Firm*—Rosenberg, Klein & Lee

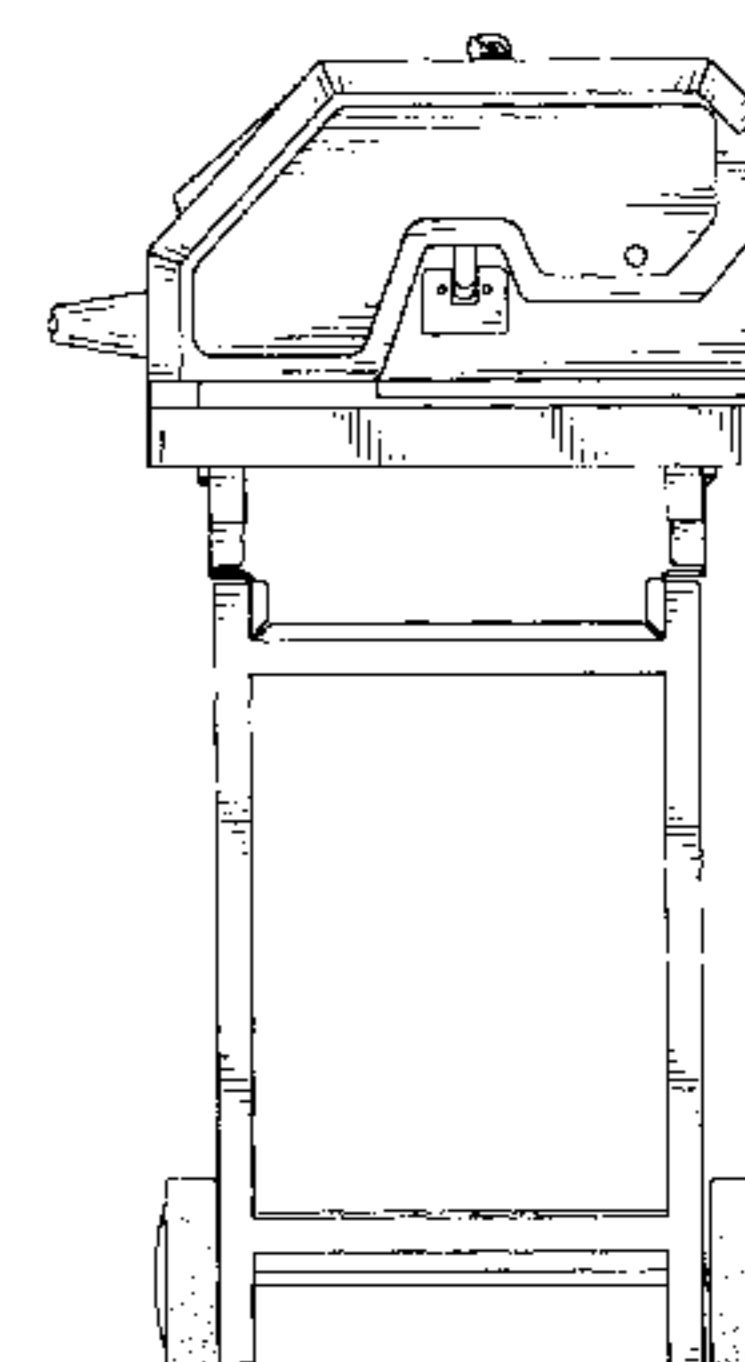
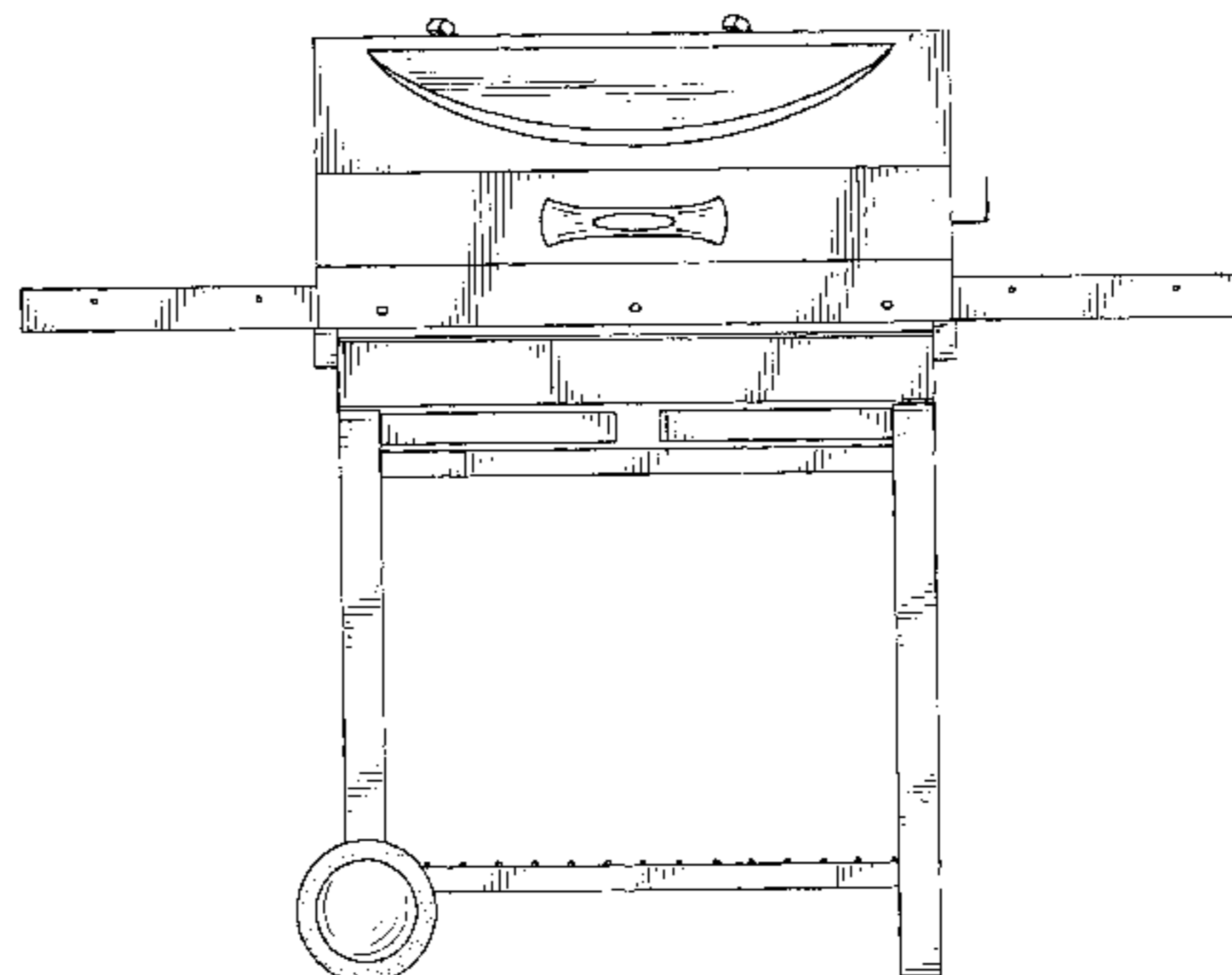
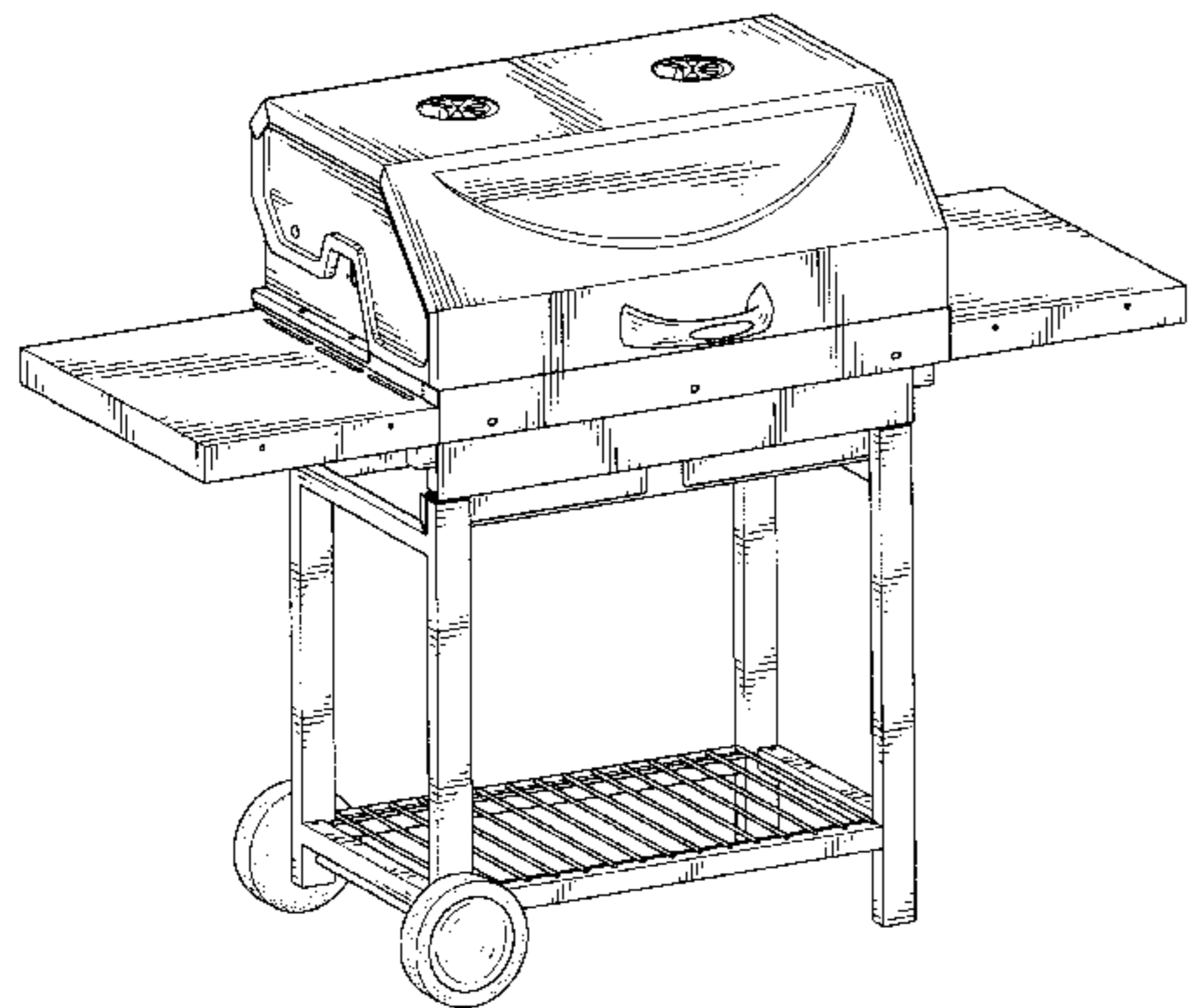
(57) **CLAIM**

The ornamental design for a roaster, as shown.

DESCRIPTION

FIG. 1 is a perspective view of the roaster showing my new design;
 FIG. 2 is a front elevational view thereof;
 FIG. 3 is a rear elevational view thereof;
 FIG. 4 is a left side view thereof;
 FIG. 5 is a right side view thereof;
 FIG. 6 is a top plain view thereof; and,
 FIG. 7 is a bottom plain view thereof.

1 Claim, 6 Drawing Sheets



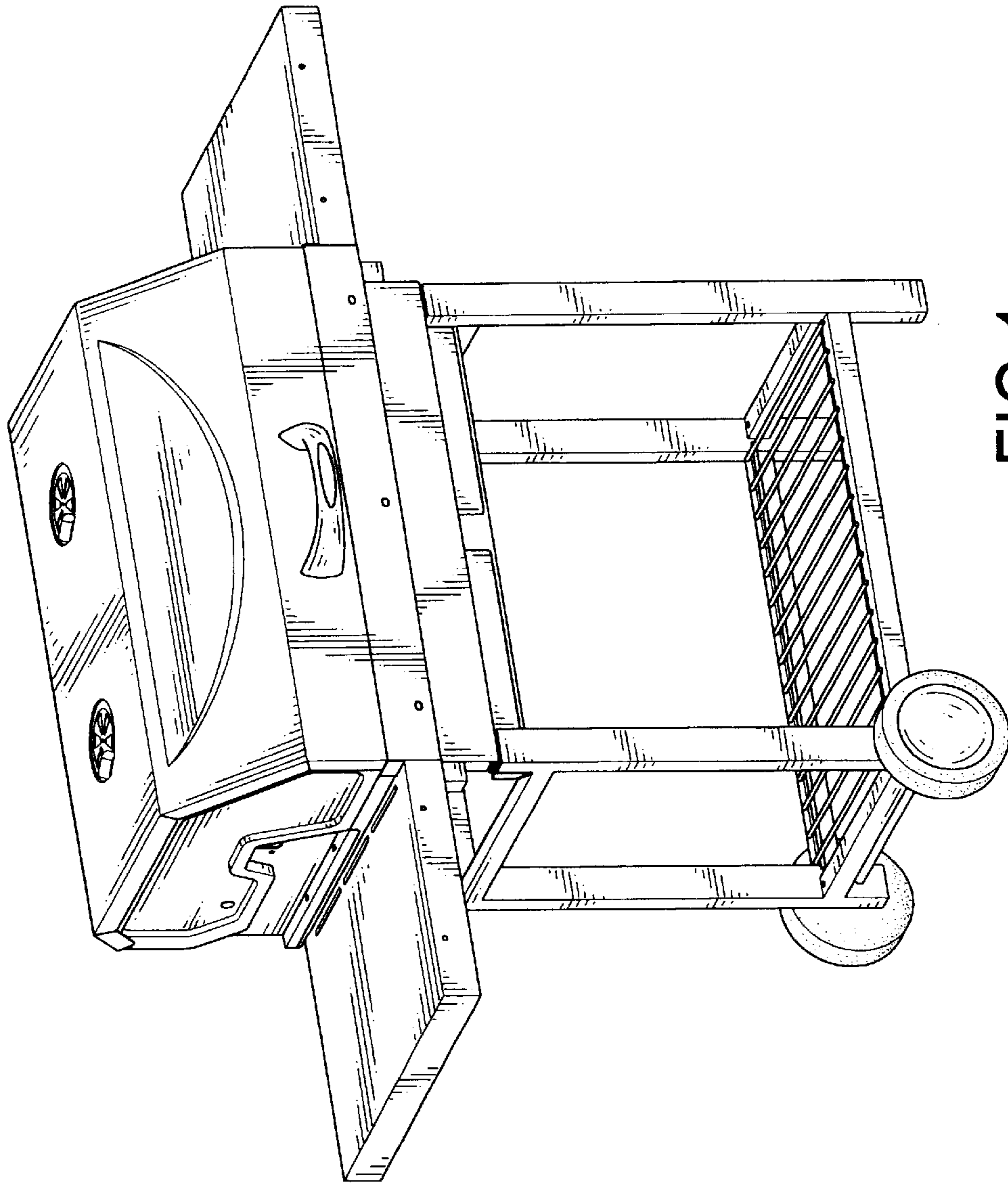


FIG.1

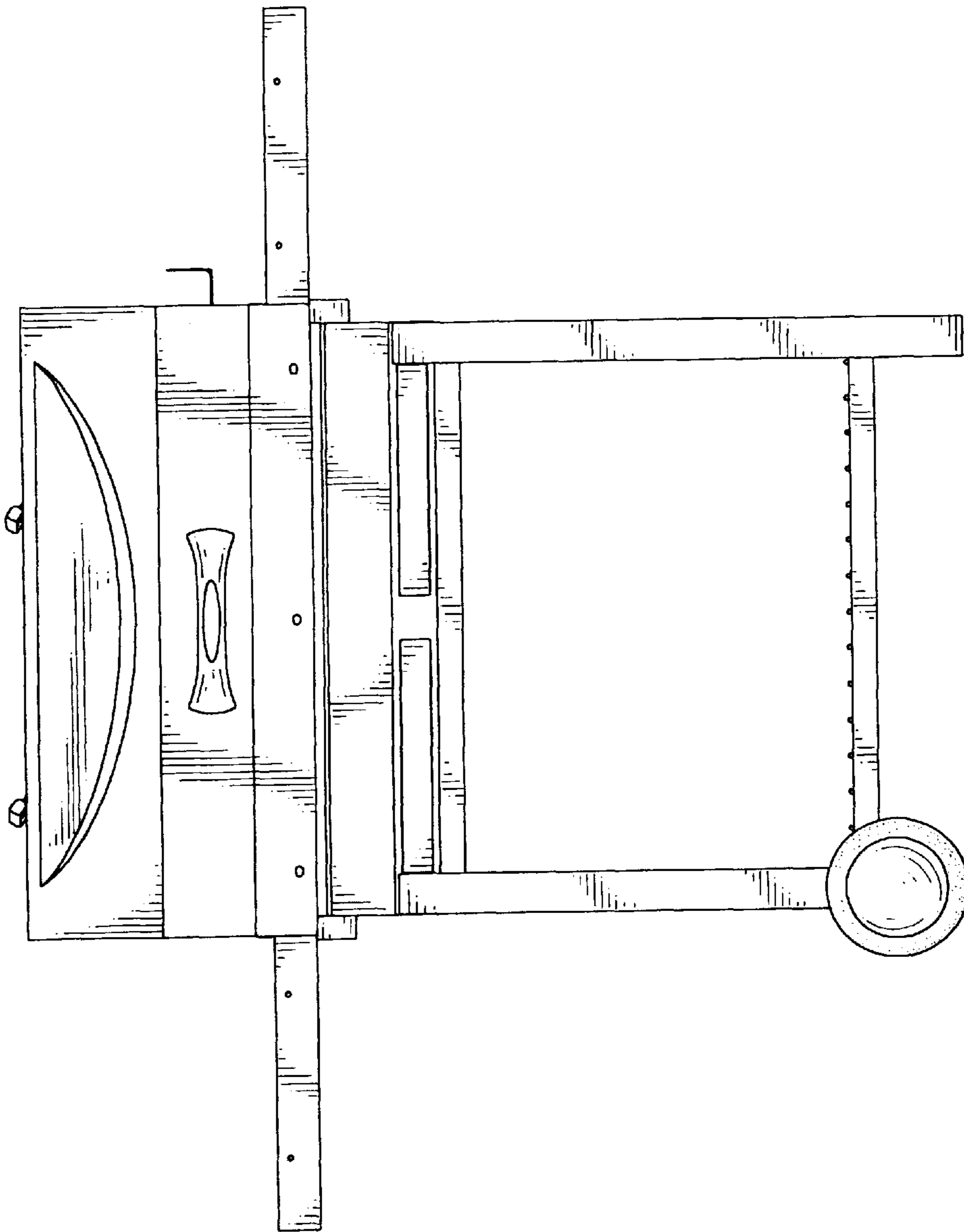


FIG.2

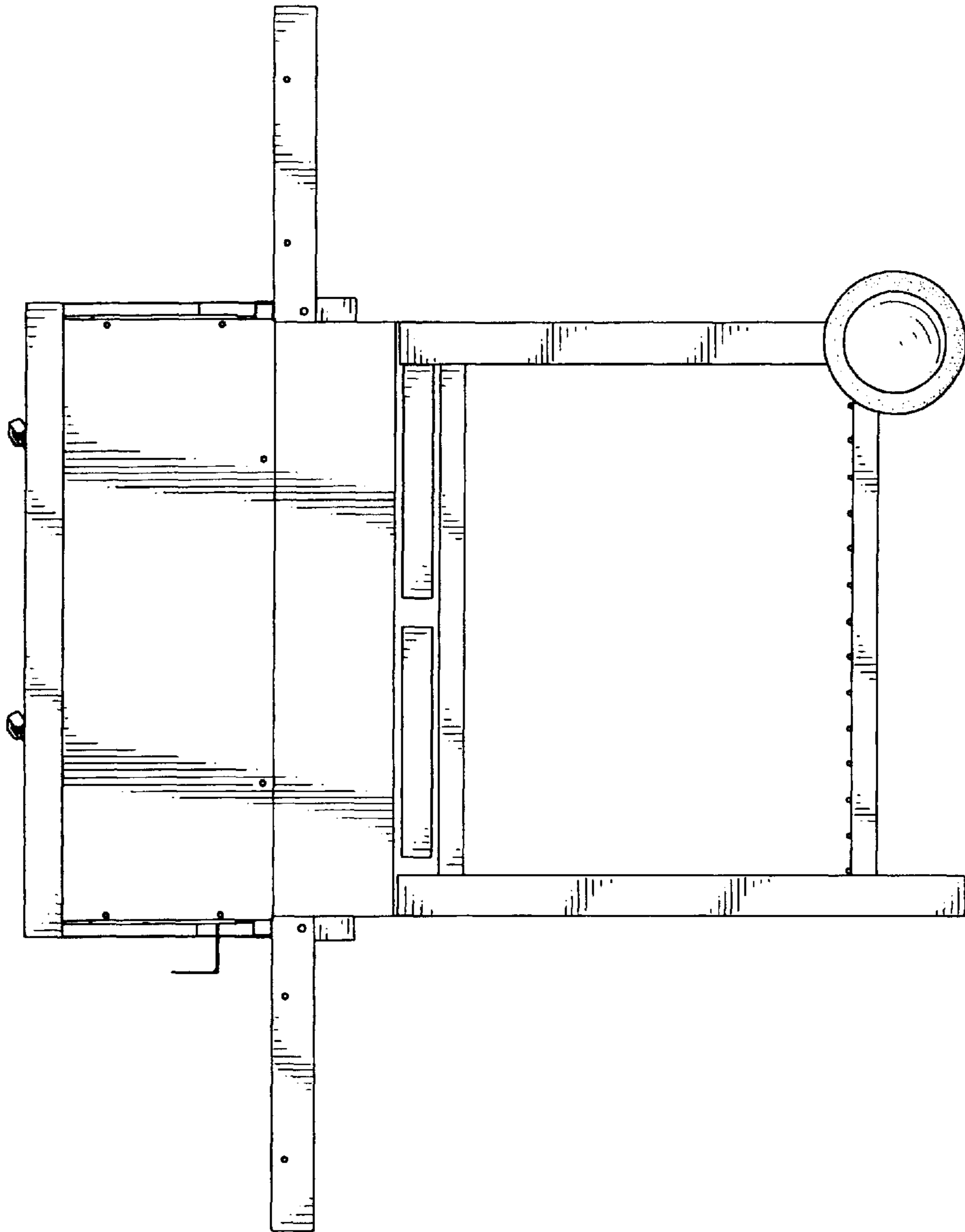


FIG.3

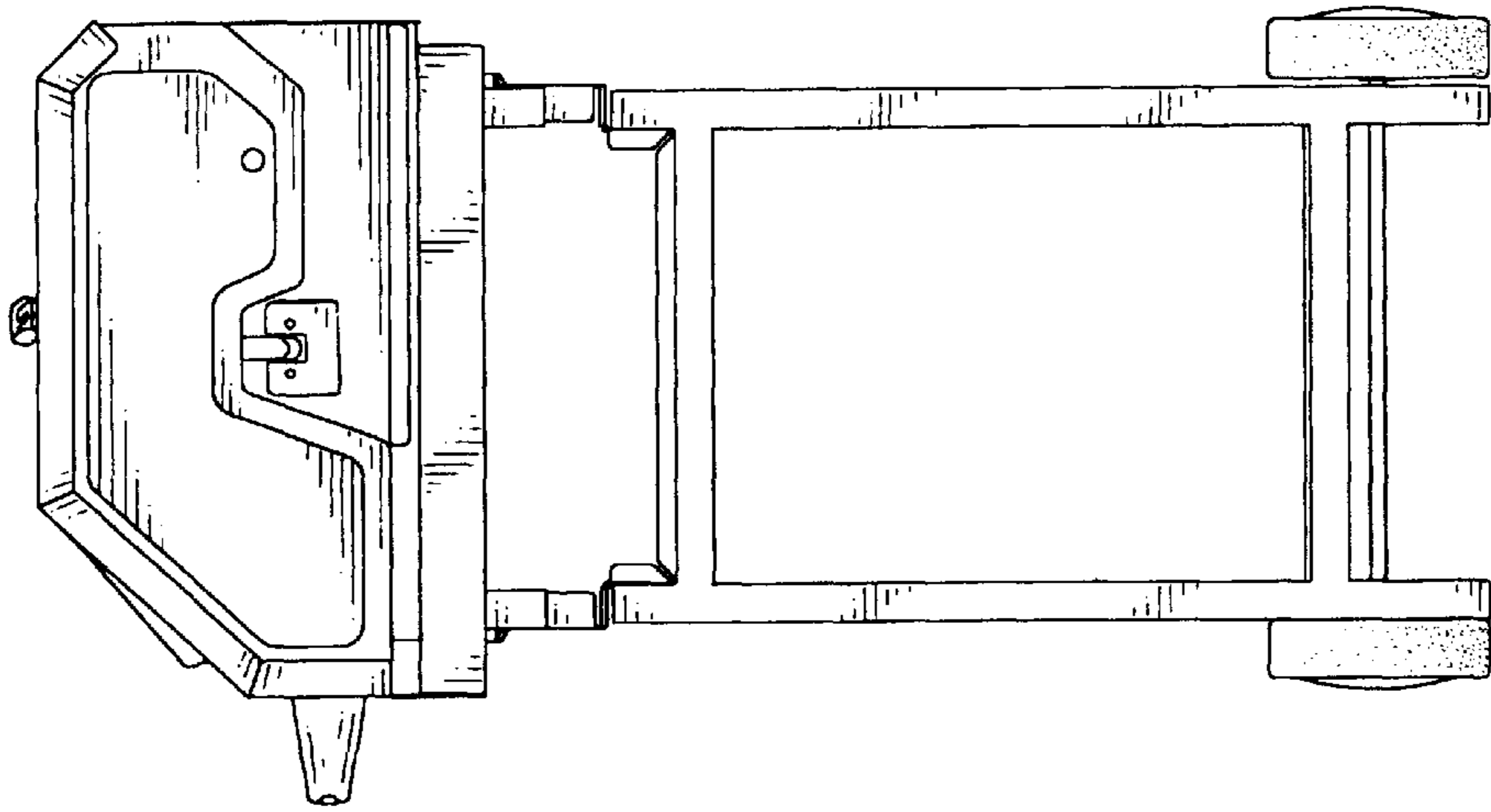


FIG.5

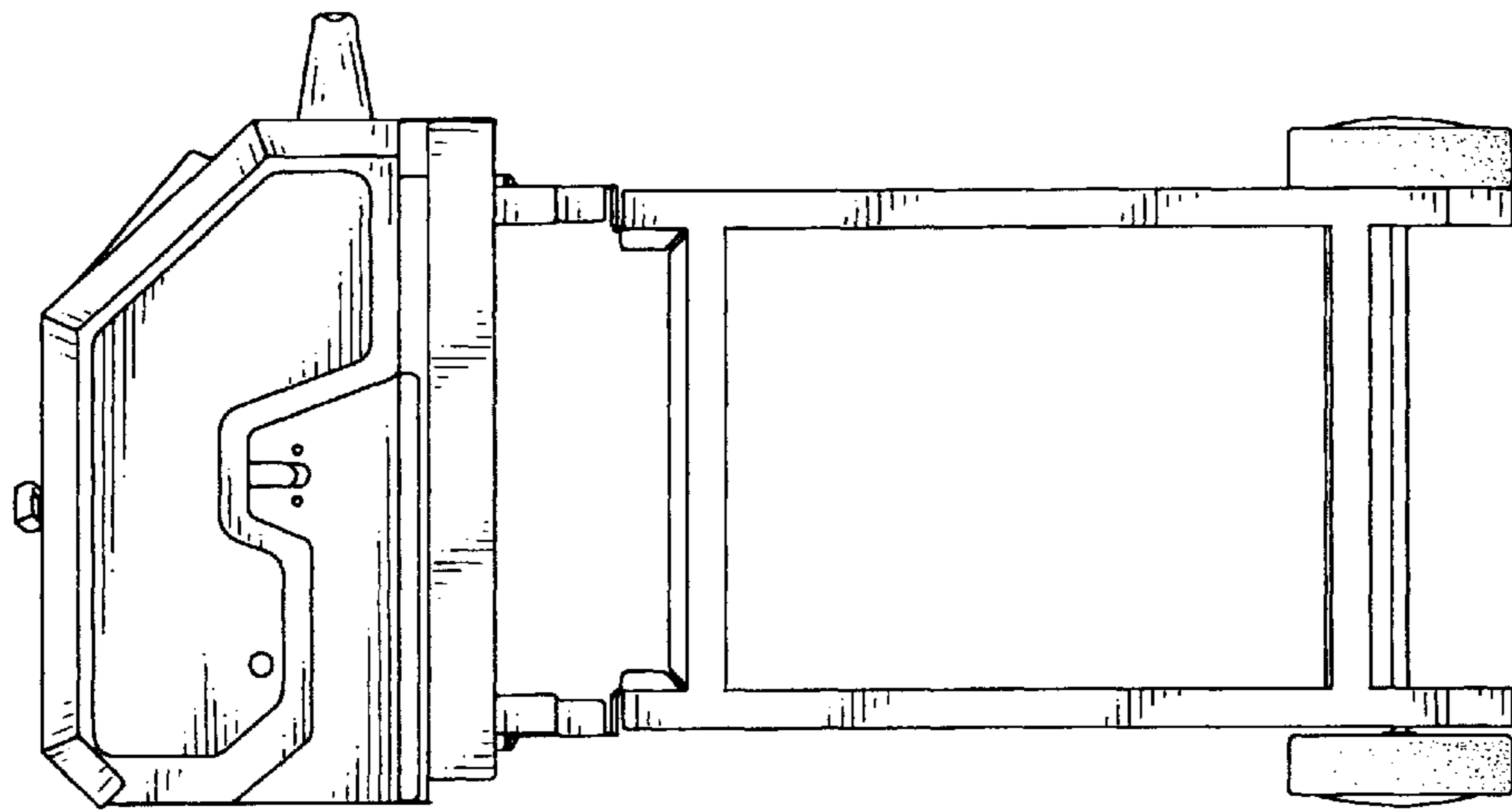


FIG.4

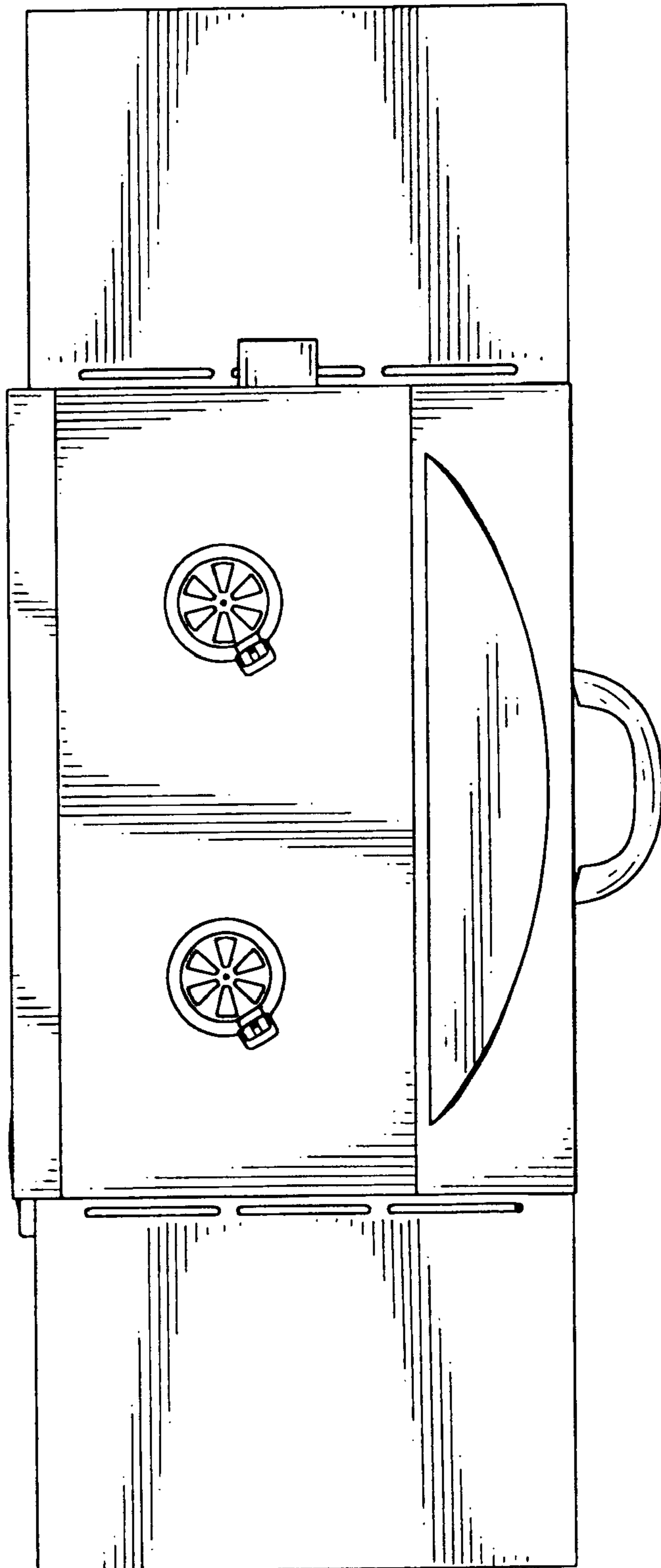


FIG.6

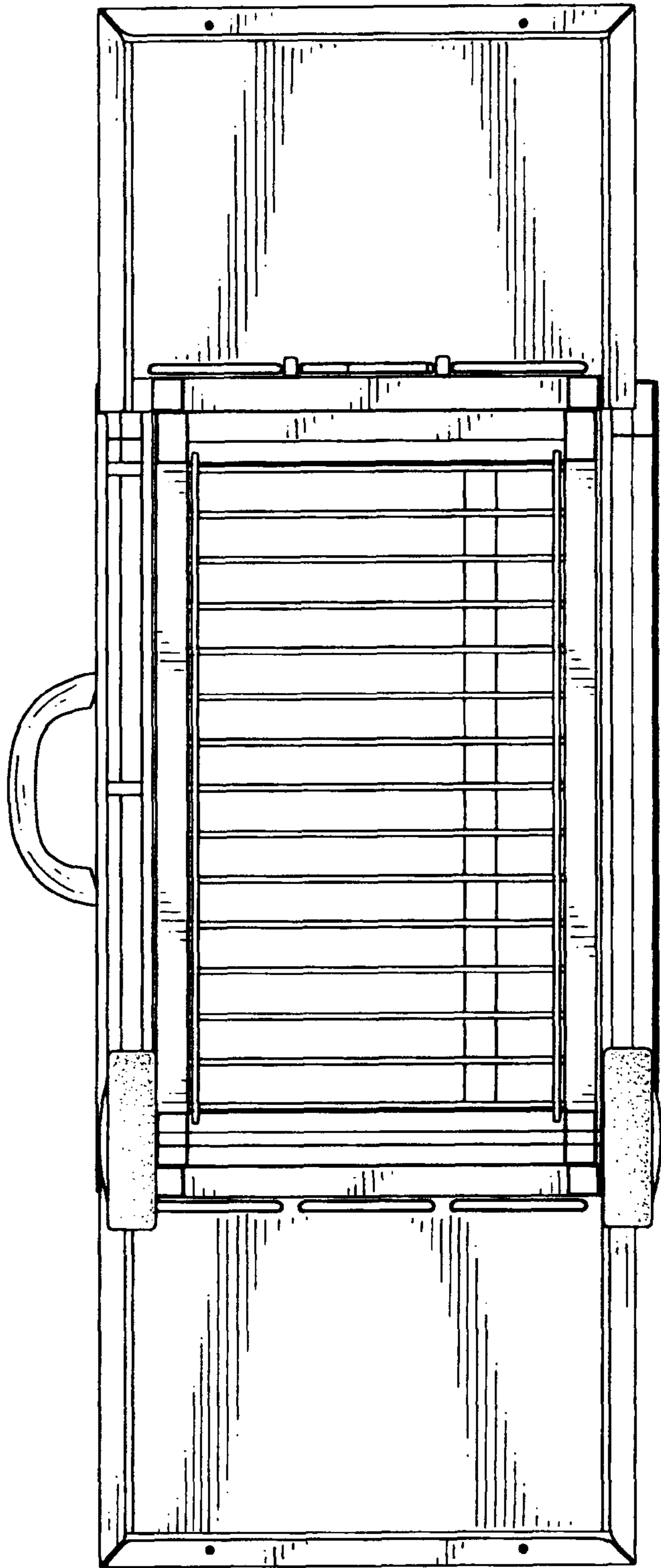


FIG.7