



US00D489220S

(12) **United States Design Patent**
Brady

(10) **Patent No.:** **US D489,220 S**

(45) **Date of Patent:** **** May 4, 2004**

(54) **TOASTER**

(75) **Inventor:** **Martin Patrick Brady**, Richmond, VA (US)

(73) **Assignee:** **Hamilton Beach/Proctor-Silex, Inc.**, Glen Allen, VA (US)

(**) **Term:** **14 Years**

(21) **Appl. No.:** **29/183,157**

(22) **Filed:** **Jun. 6, 2003**

(51) **LOC (7) Cl.** **07-02**

(52) **U.S. Cl.** **D7/330**

(58) **Field of Search** D7/328-330; 99/331, 99/339, 341, 385, 389

D423,866 S	5/2000	Parker et al.	
6,058,829 A	5/2000	Endres	
D427,006 S	6/2000	Chedal Anglay	
D434,264 S	11/2000	Mixides	
D444,341 S	7/2001	Shine et al.	
D445,629 S	7/2001	Davis et al.	
D446,417 S	8/2001	Mauch	
6,305,273 B1	10/2001	Sherman	
D450,975 S	11/2001	Aeschbacher	
6,380,520 B1	4/2002	Nguyen	
D461,088 S	8/2002	Cheah et al.	
D461,089 S	8/2002	Cheah et al.	
6,429,407 B1	8/2002	Garber et al.	
D468,152 S	1/2003	Kettman	
6,543,337 B1	4/2003	Brown	
D474,368 S *	5/2003	Averty D7/330
2001/0029823 A1	3/2002	Ancona et al.	

* cited by examiner

(56) **References Cited**

U.S. PATENT DOCUMENTS

D107,552 S	12/1937	Scharfenberg
2,195,638 A	4/1940	Anderson
2,251,925 A	8/1941	Edmunds et al.
D142,037 S	8/1945	Page
2,387,817 A	10/1945	Wales
D156,080 S	11/1949	Edelman
D289,249 S	4/1987	Jeter
D316,006 S	4/1991	Gebhardt
D323,094 S	1/1992	Russell et al.
D329,161 S	9/1992	Eisenberg
D338,131 S	8/1993	Stützer
D376,509 S	12/1996	Stützer
D378,971 S	4/1997	Cruz
D383,352 S	9/1997	Powel
D401,472 S	11/1998	Gould
D404,605 S	1/1999	Barthelemy et al.
D409,434 S	5/1999	Gardner
D418,003 S	12/1999	Alonge et al.

Primary Examiner—Caron D. Veynar

(74) *Attorney, Agent, or Firm*—Akin Gump Strauss Hauer & Feld, L.L.P.

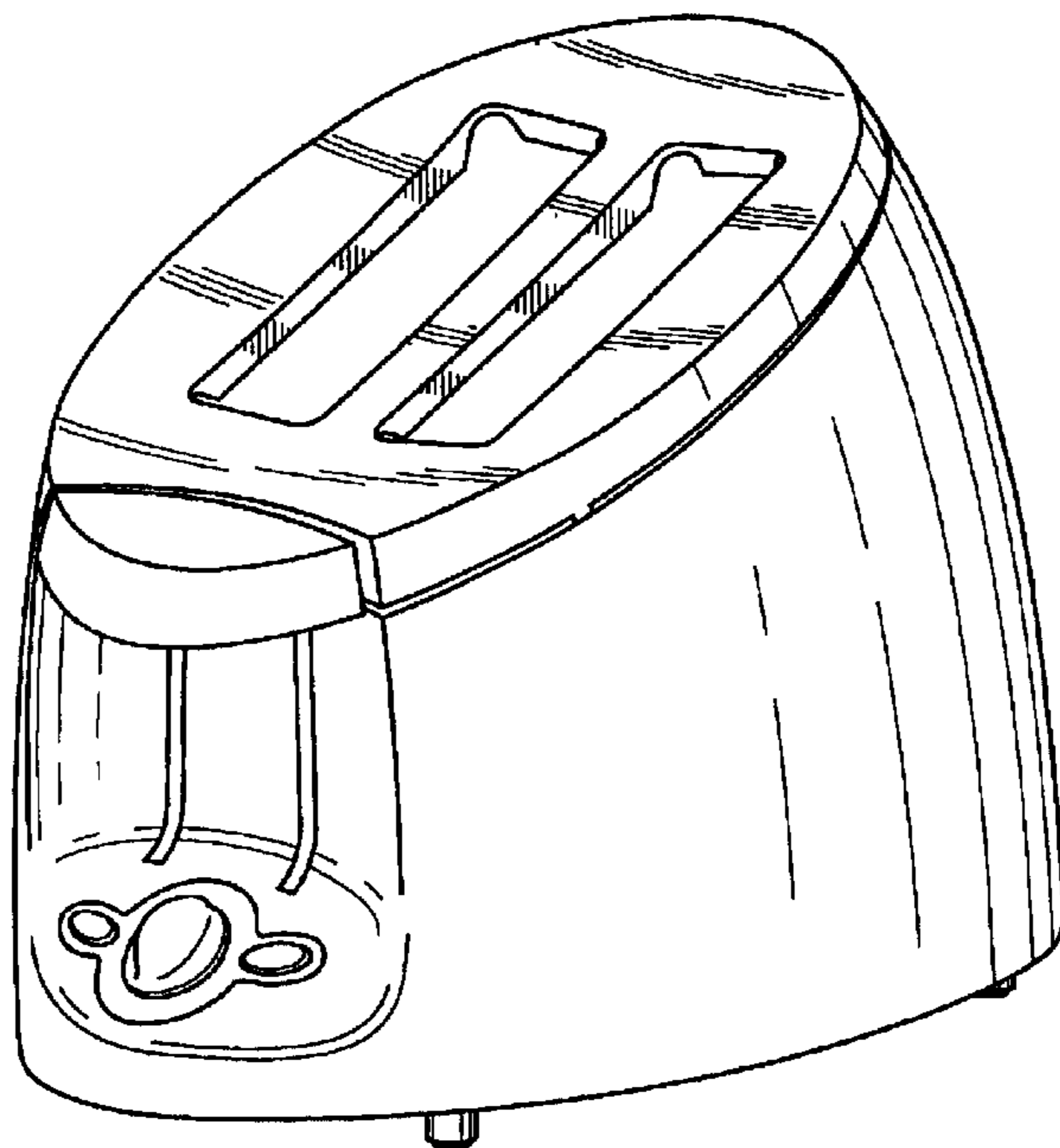
(57) **CLAIM**

The ornamental design for a toaster, as shown and described.

DESCRIPTION

FIG. 1 is a front perspective view of the toaster in accordance with my new design;
FIG. 2 is a top plan view thereof;
FIG. 3 is a right-side elevational view thereof;
FIG. 4 is a left-side elevational view thereof;
FIG. 5 is a front elevational view thereof;
FIG. 6 is a rear elevational view thereof; and,
FIG. 7 is a bottom plan view thereof.
The broken lines in the figures are for illustrative purposes only and form no part of the claimed design.

1 Claim, 7 Drawing Sheets



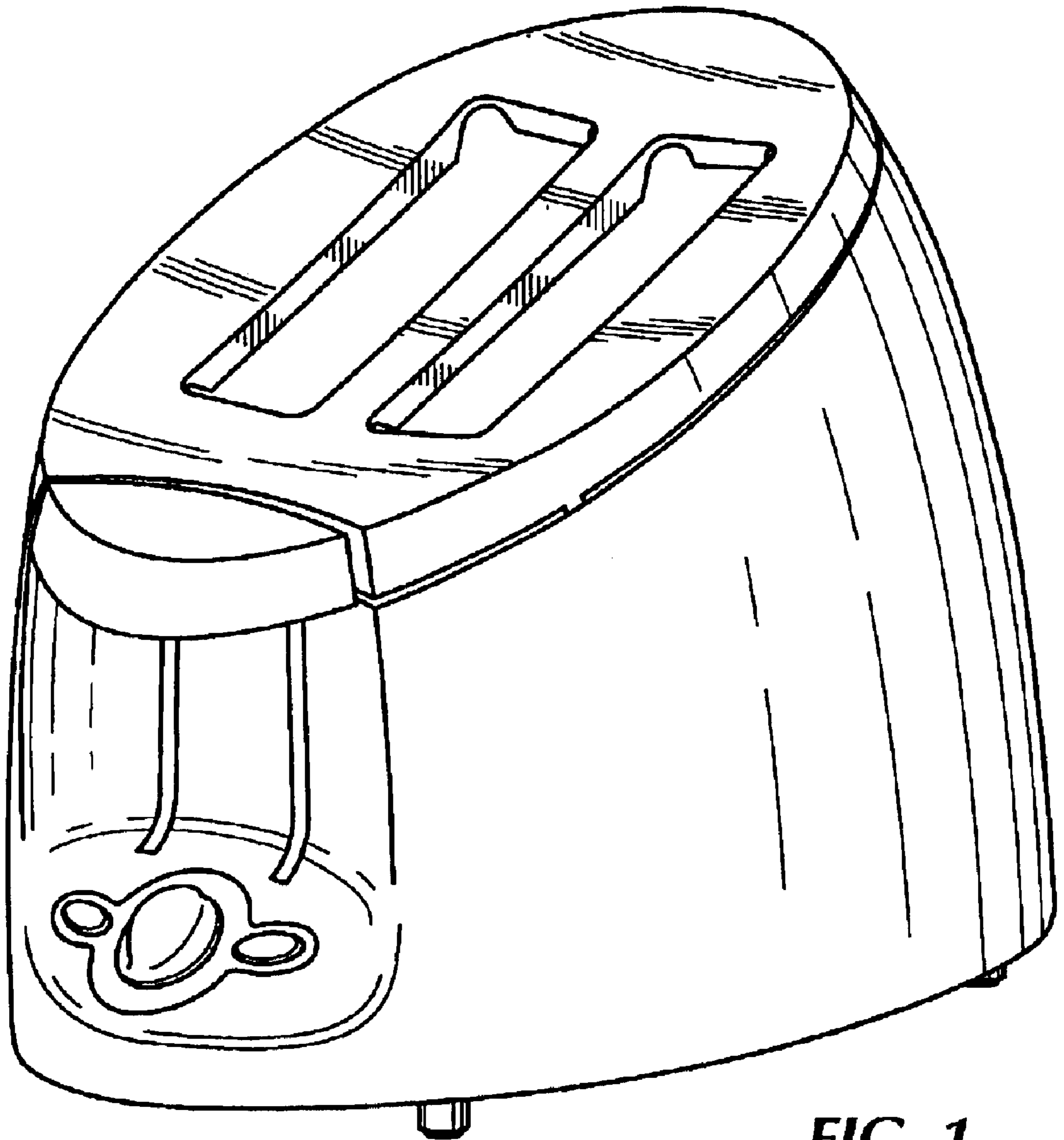


FIG. 1

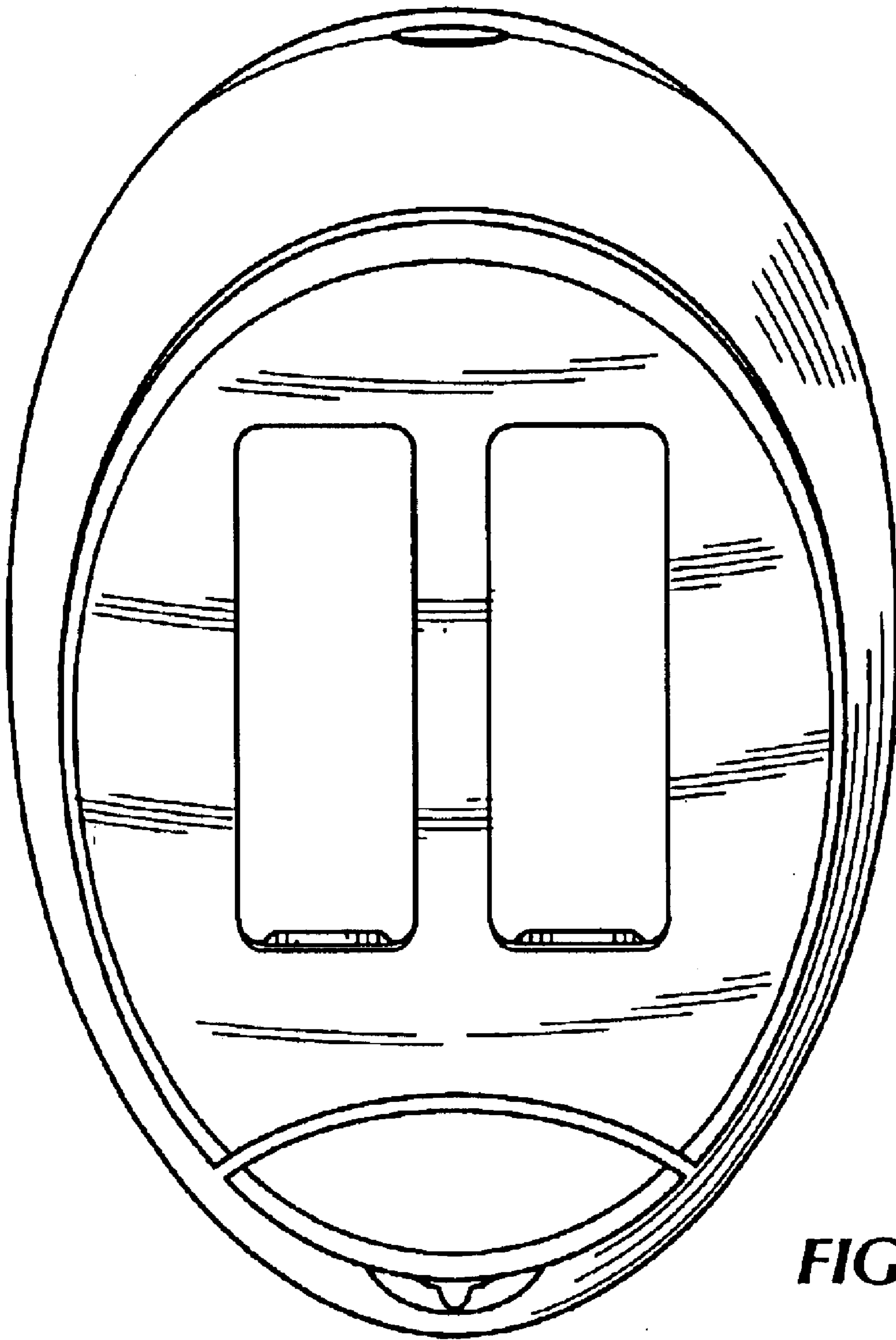


FIG. 2

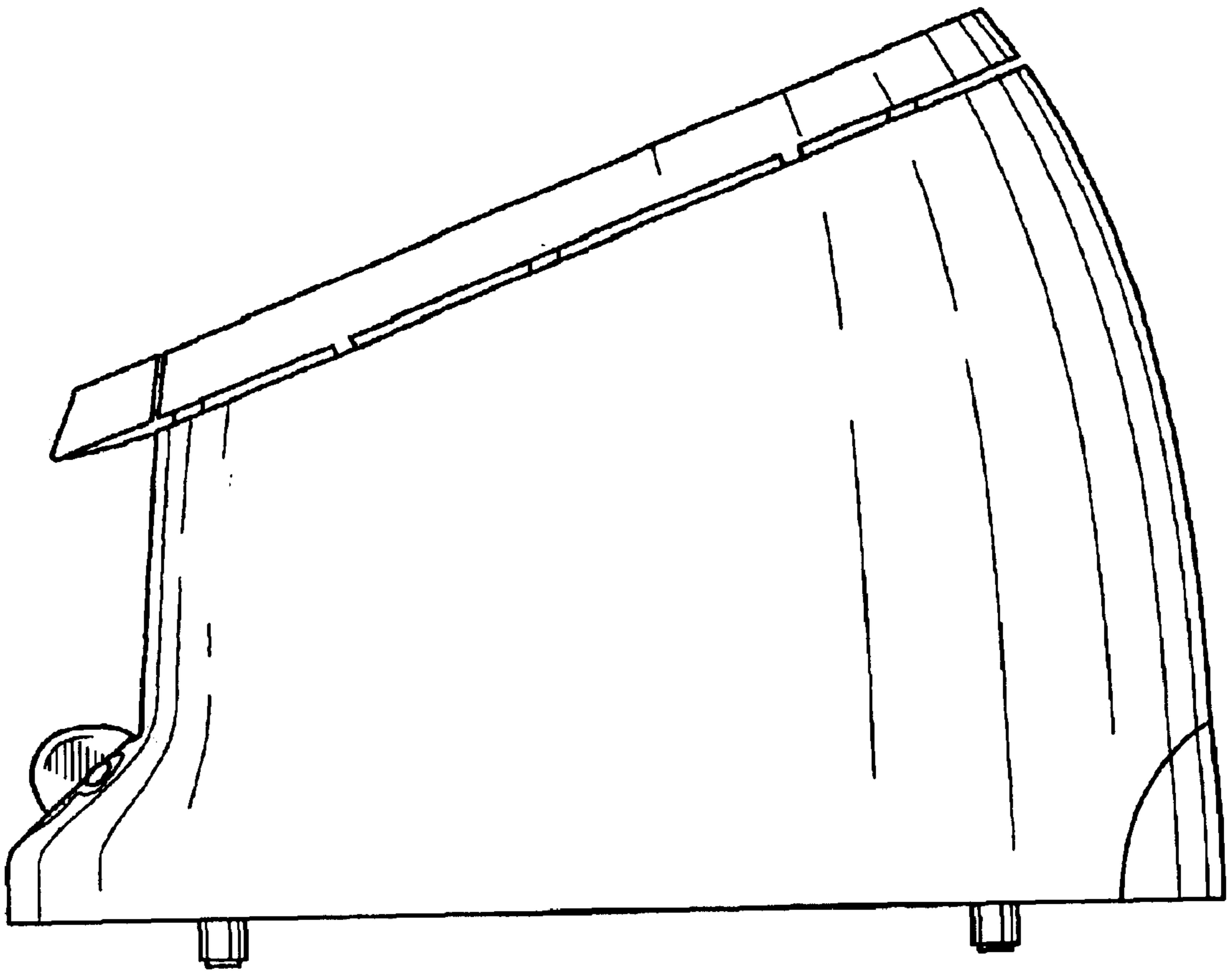


FIG. 3

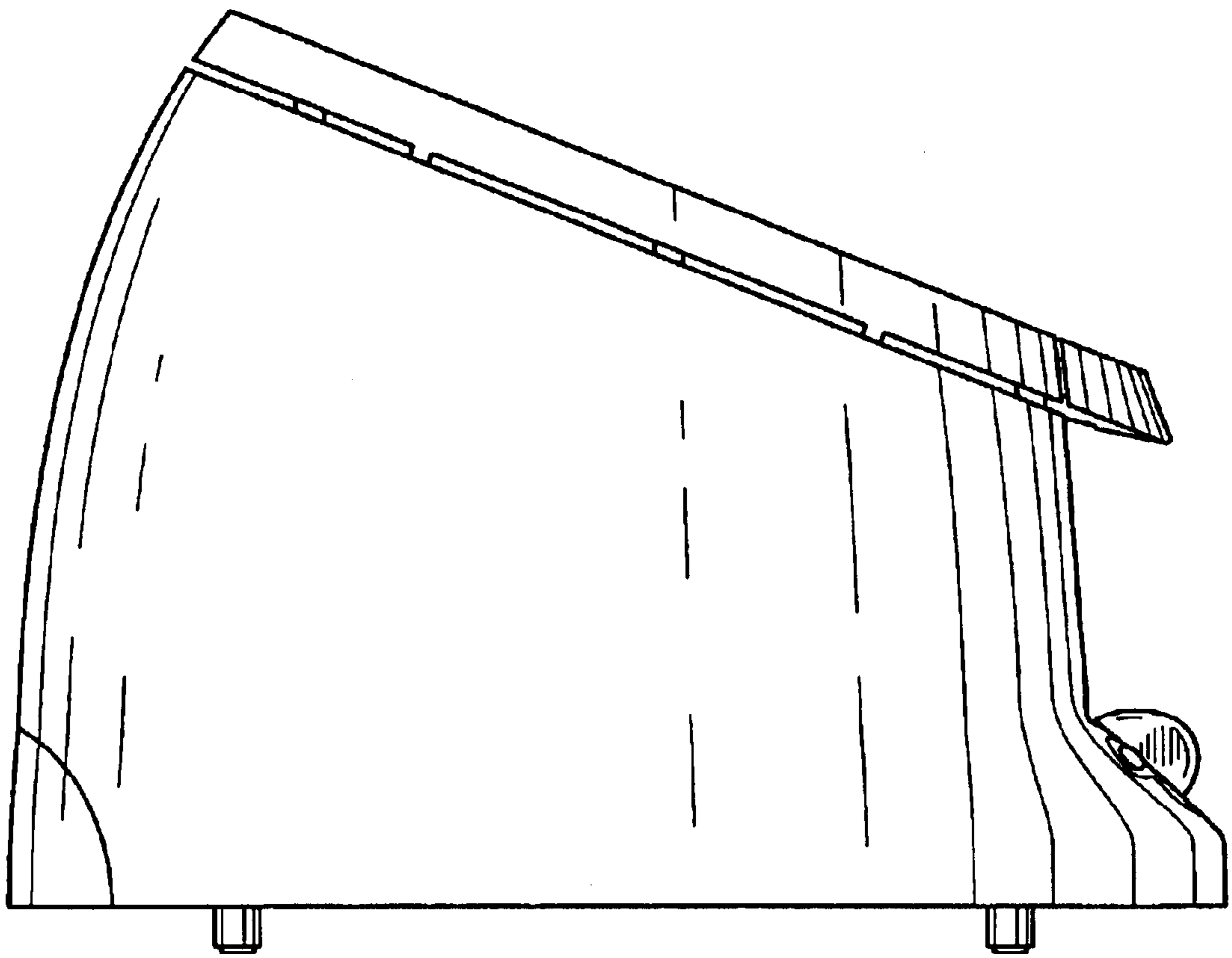


FIG. 4

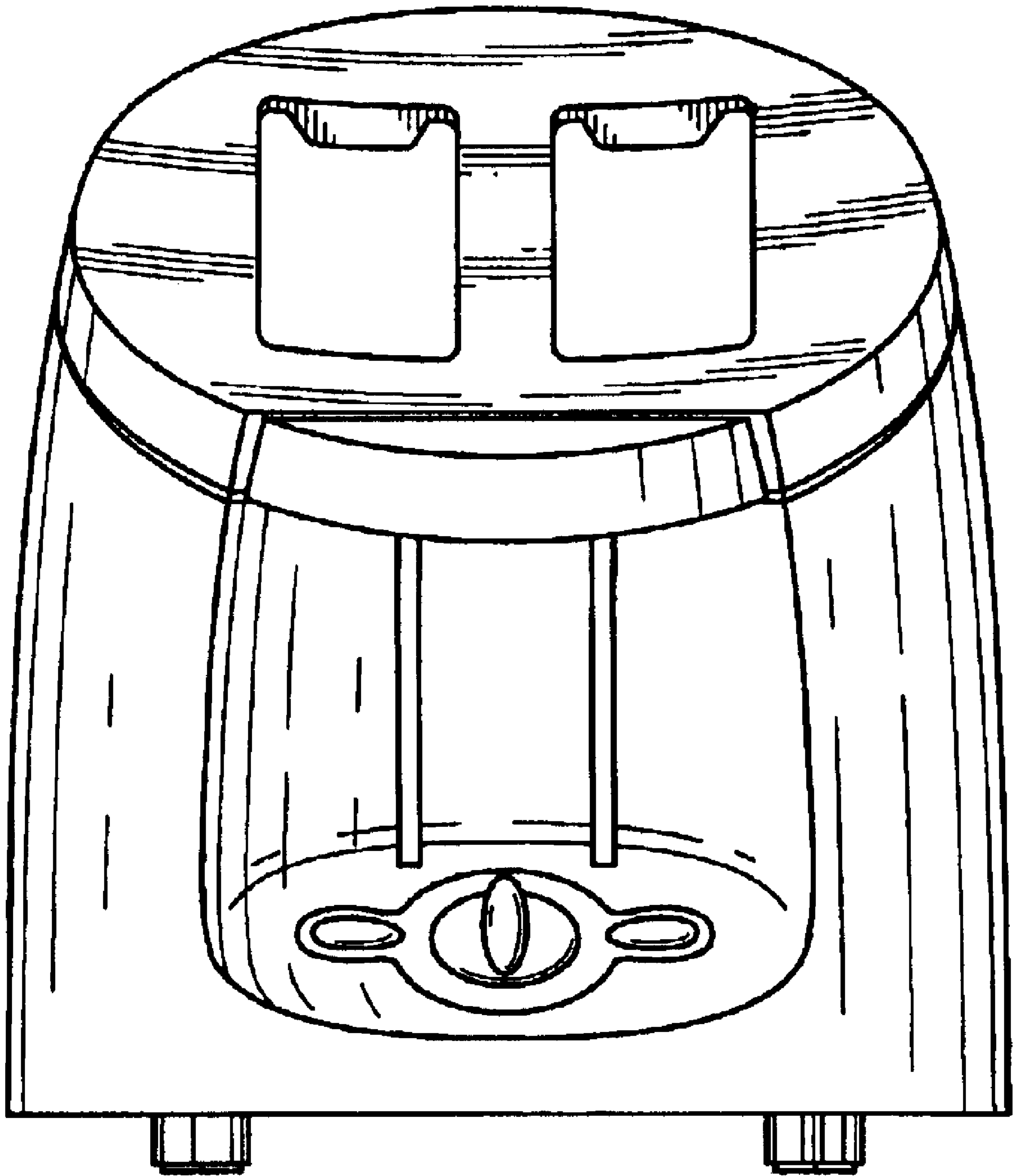


FIG. 5

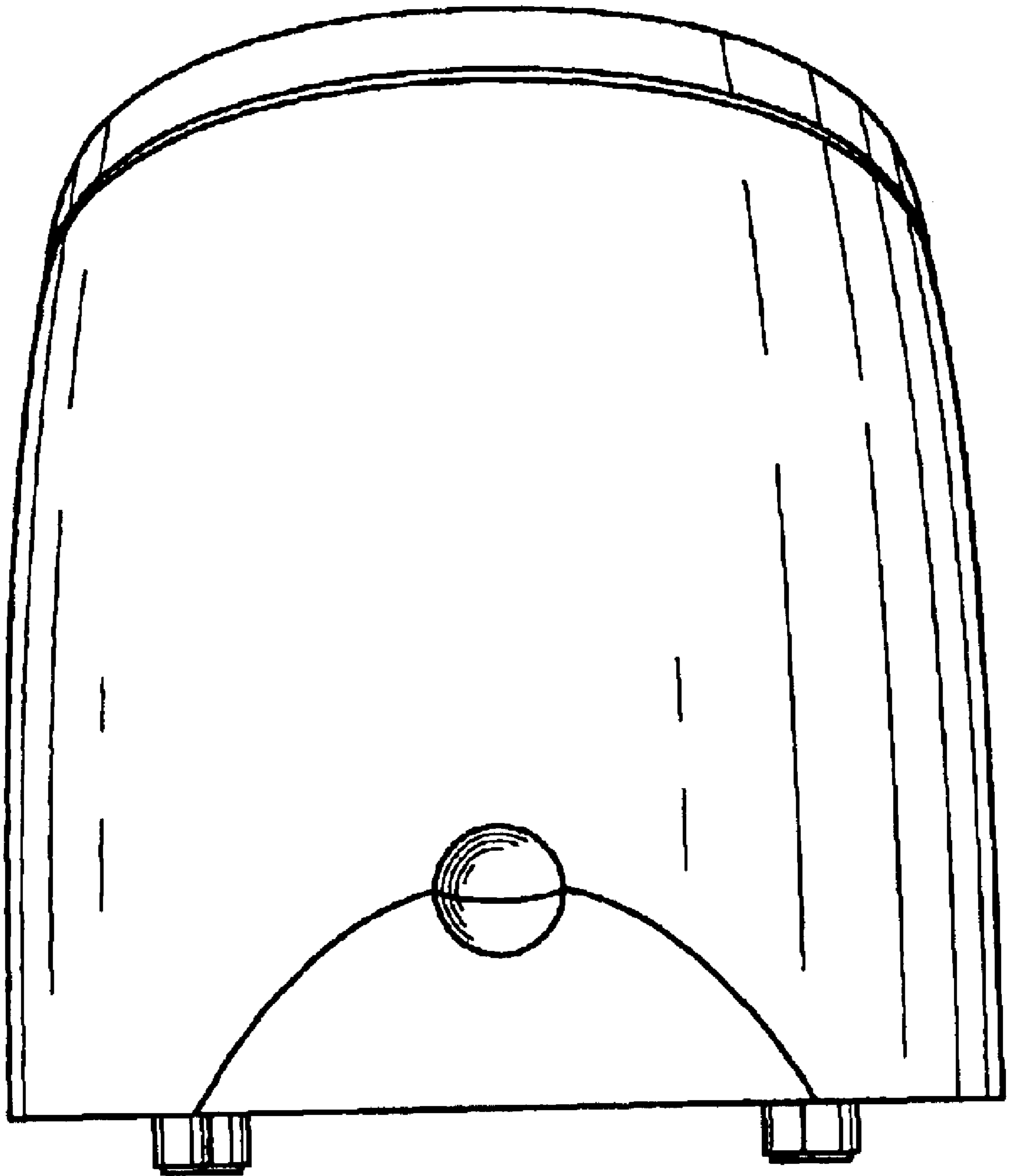


FIG. 6

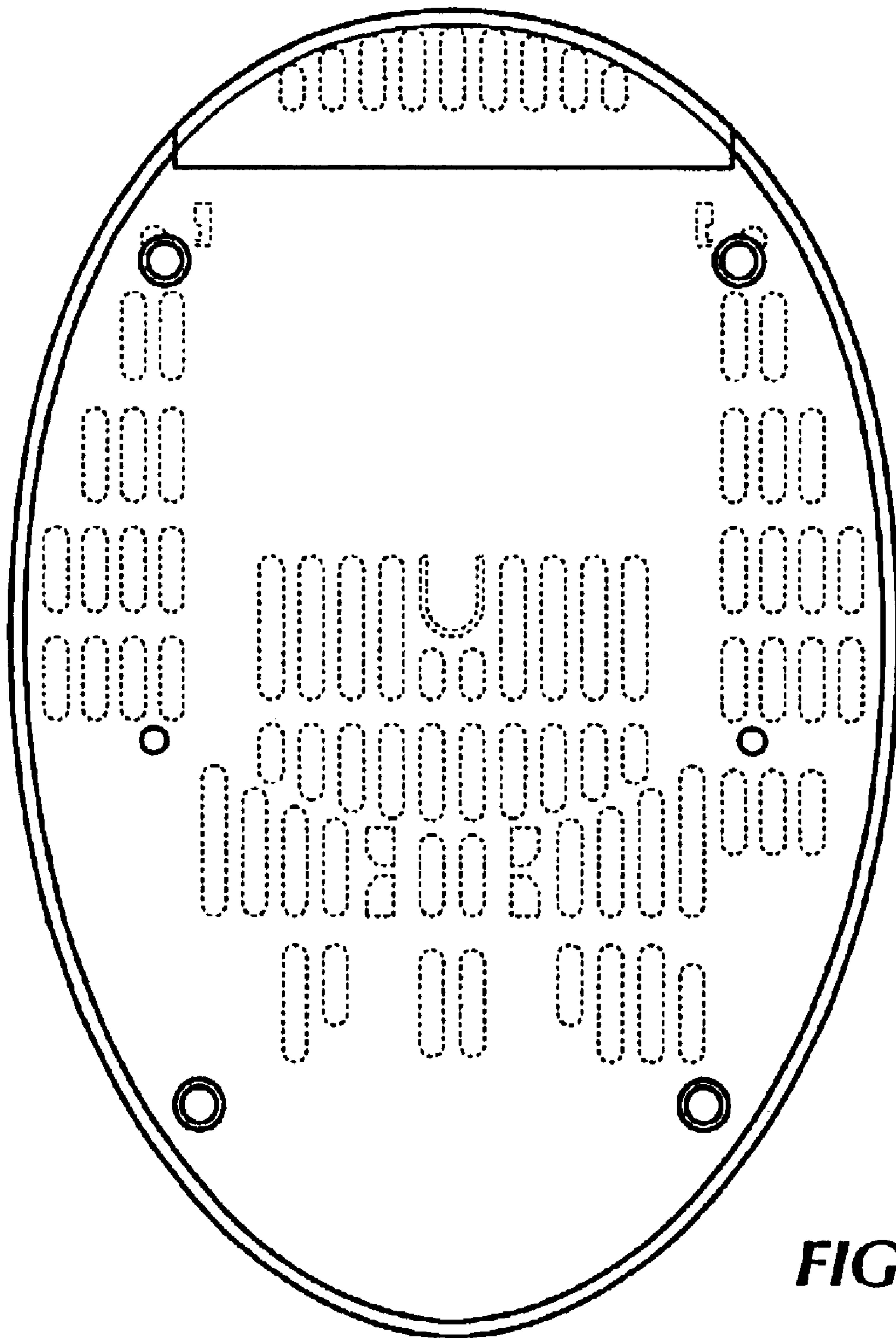


FIG. 7